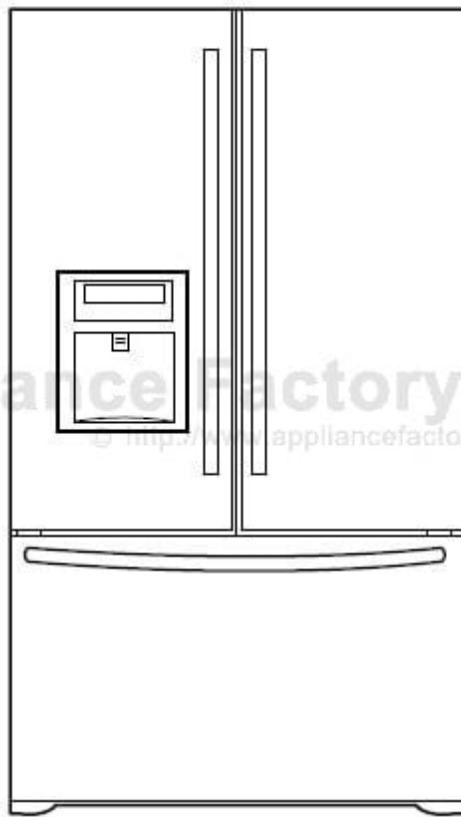


This Owner's Manual is provided and hosted by [Appliance Factory Parts](#).



Kenmore 795.78512800 Owner's Manual

[Shop genuine replacement parts for Kenmore
795.78512800](#)



[Find Your Kenmore Refrigerator Parts - Select From 665 Models](#)

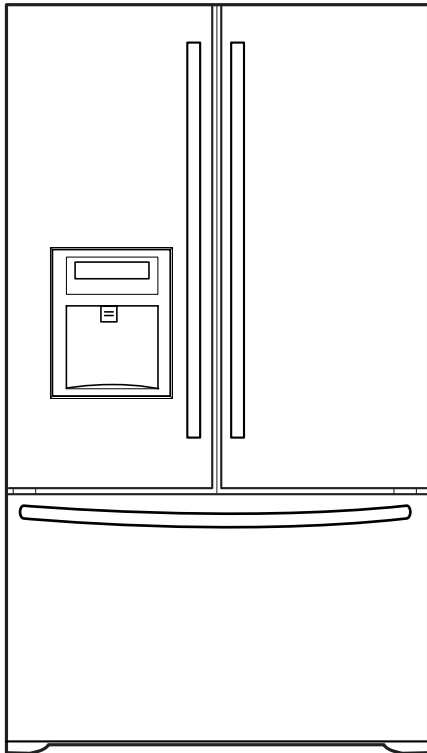
----- Manual continues below -----



REFRIGERATOR

SERVICE MANUAL

CAUTION
BEFORE SERVICING THE UNIT,
READ THE SAFETY PRECAUTIONS IN THIS MANUAL.



Model #s:

795.78502800
795.78503800
795.78506800
795.78509800
795.78512800
795.78513800
795.78516800
795.78519800

CONTENTS

| | |
|--|--------------|
| SAFETY PRECAUTIONS | 2 |
| 1. SPECIFICATIONS | 3-4 |
| 2. PARTS IDENTIFICATION | 5 |
| 3. DISASSEMBLY | 6-14 |
| REMOVING AND REPLACING REFRIGERATOR DOORS | 6 |
| DOOR | 7-8 |
| TO REMOVE THE DISPENSER | 8 |
| DOOR ALIGNMENT | 8 |
| FAN AND FAN MOTOR(Evaporator) | 8 |
| ICE FAN SCROLL ASSEMBLY REPLACEMENT | 9 |
| DEFROST CONTROL ASSEMBLY | 9 |
| LAMP | 9 |
| CONTROL BOX-REFRIGERATOR | 9 |
| MULTI DUCT | 10 |
| MAIN PWB, DISPLAY PWB REPLACEMENT, FUNNEL REPLACEMENT | 10 |
| SUB PWB FOR DISPENSER, DUCT DOOR REPLACEMENT, ICE CORNER DOOR REPLACEMENT, ICE MAKER ASSEMBLY | 11 |
| AUGER MOTOR COVER, AUGER MOTOR REPLACEMENT | 12 |
| DOOR ICE BIN | 13 |
| HOW TO REMOVE AND REINSTALL THE PULLOUT DRAWER | 14-15 |
| WATER VALVE DISASSEMBLY METHOD | 16 |
| FAN AND FAN MOTOR DISASSEMBLY METHOD | 16 |
| PULL OUT DRAWER | 17 |
| 4. ADJUSTMENT | 18-19 |
| COMPRESSOR | 18 |
| PTC-STARTER | 18 |
| OLP(OVERLOAD PROTECTOR) | 19 |
| TO REMOVE THE COVER PTC | 19 |
| 5. CIRCUIT DIAGRAM | 20 |
| 6. TROUBLESHOOTING | 21-25 |
| COMPRESSOR AND ELECTRIC COMPONENTS | 21 |
| OTHER ELECTRICAL COMPONENTS | 22 |
| SERVICE DIAGNOSIS CHART | 23 |
| REFRIGERATION CYCLE | 24-25 |
| 7. OPERATION PRINCIPLE & REPAIR METHOD OF ICEMAKER | 26-28 |
| 8. DESCRIPTION OF FUNCTION, CIRCUITS & ERROR CODES | 29-43 |

SAFETY PRECAUTIONS

Please read the following instructions before servicing your refrigerator.

1. Unplug the power before handling any electrical components.
2. Check the rated current, voltage, and capacity.
3. Take caution not to get water near any electrical components.
4. Use exact replacement parts.
5. Remove any objects from the top prior to tilting the product.

1. SPECIFICATIONS

1-1 DISCONNECT POWER CORD BEFORE SERVICING IMPORTANT – RECONNECT ALL GROUNDING DEVICES

All parts of this appliance capable of conducting electrical current are grounded. If grounding wires, screws, straps, clips, nuts or washers used to complete a path to ground are removed for service, they must be returned to their original position and properly fastened.

1-2 IMPORTANT NOTICE

This information is intended for use by individuals possessing adequate backgrounds of electrical, electronic and mechanical experience. Any attempt to repair a major appliance may result in personal injury and property damage. The manufacturer or seller cannot be responsible for the interpretation of this information, nor can it assume any liability in connection with its use.

1-3 ELECTRICAL SPECIFICATIONS

Temperature Control (Freezer Compartment) ...-6°F to +8°F
 Defrost Control.....Total Comp Running Time: 7 hrs~50 hrs
 Defrost Thermostat46°F
 Electrical Rating : 115VAC, 60Hz.....7.2 A
 Maximum Current Leakage.....0.5 mA
 Maximum Ground Path Resistance0.14 Ohms
 Energy Consumption25 cu.ft. 547 kWh/yr (Energy Star)

1-4 NO LOAD PERFORMANCE CONTROL POSITION: MID/MID

And Ambient of:70°F.....90°F
 Fresh Food, °F33°F to 41°F.....33°F to 41°F
 Frozen Food, °F-4°F to +4°F.....-4°F to +4°F
 Percent Running Time35%-45%.....50°F-70°F

1-5 REFRIGERATION SYSTEM

Minimum Compressor Capacity Vacuum 21 MIN.
 Minimum Equalized Pressure
 @ 70°F 49 PSIG
 @ 90°F 56 PSIG
 Refrigerant R134a 4.76 oz.
 Compressor 956 BTU/hr

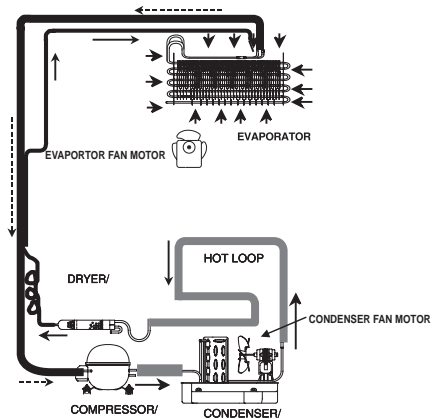
1-6 INSTALLATION

Clearance must be provided at top, sides and rear of the refrigerator for air circulation.

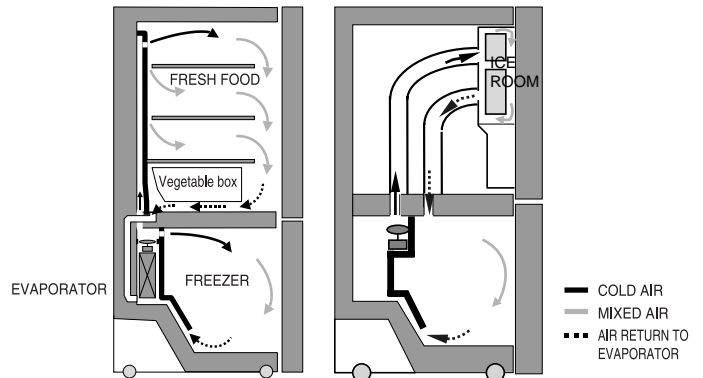
AT TOP 2 in
 AT SIDES 1 in
 AT REAR 1 in

1-7 REPLACEMENT PARTS

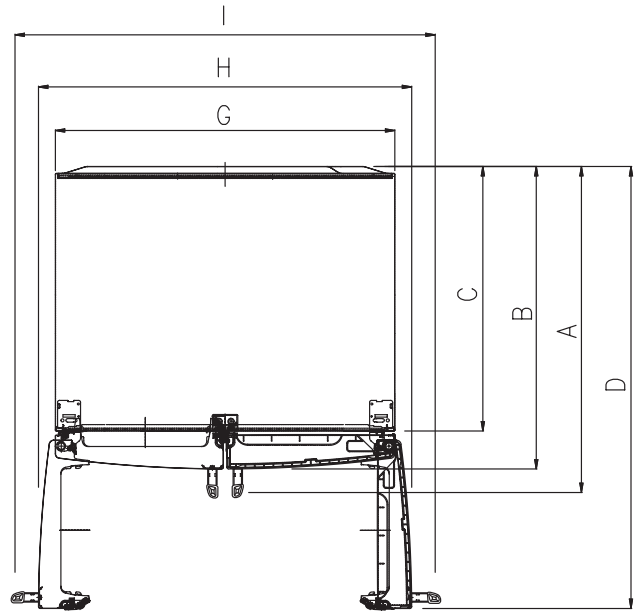
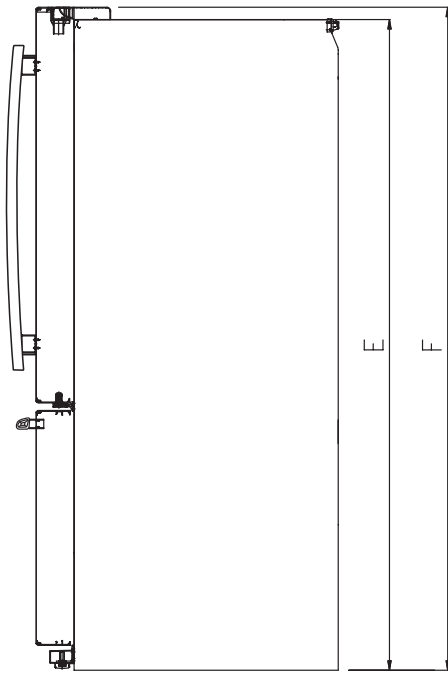
| | |
|---------------------------|--|
| Relay..... | 6748C-0004D |
| Overload..... | 6750C-0004R |
| Defrost Thermostat..... | 6615JB2005H |
| Defrost Heater..... | 5300JK1005D |
| Evaporator Fan Motor..... | 4681JK1004E |
| Capacitor (Running)..... | 0CKZZJB2012K (0CKZZJB2014B) (0CKZZJB2012H) |
| Compressor (Hi-Side)..... | TCA31748001 |
| Evaporator (Lo-Side)..... | 5421JJ1007A |
| Condenser..... | ACG366533801 |
| Dryer..... | 5851JA2002P |
| Condenser Fan Motor..... | 4681JB1029D |
| Temperature Control..... | ACQ37160701(STS/TTM) ACQ37160702(SW) ACQ37160703(WB) |
| Main Control..... | EBR41956403 |
| Ice Fan Motor..... | 4681JB1029E |
| *OPTIONAL | |



AIR FLOW

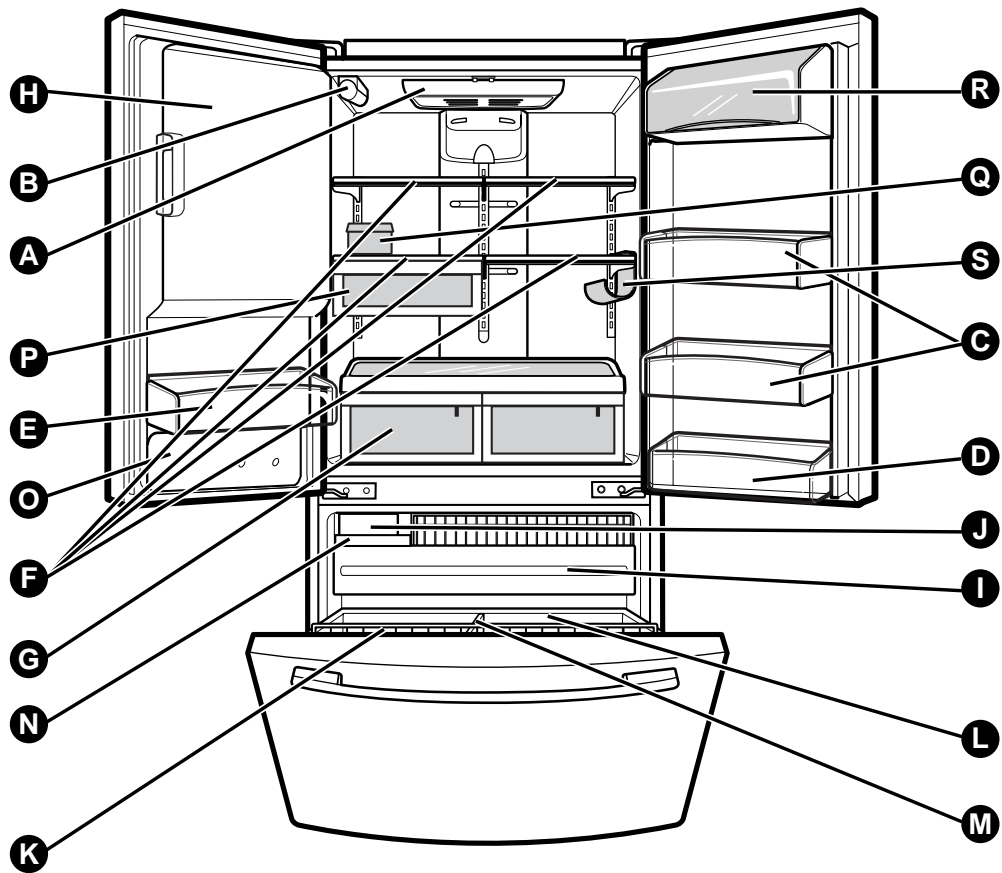


1-8 AIR FLOW / CIRCULATION D'AIR



| Description | | 795.785** |
|--------------------------------------|---|-----------|
| Depth w/ Handles | A | 34 1/4 in |
| Depth w/ Handles | B | 31 3/4 in |
| Depth w/ o Door | C | 27 7/8 in |
| Depth (Total with Door Open) | D | 46 1/2 in |
| Height to Top of Case | E | 68 3/8 in |
| Height to Top of Door Hinge | F | 69 3/4 in |
| Width | G | 35 3/4 in |
| Width (door open 90 deg. w/o handle) | H | 39 1/4 in |

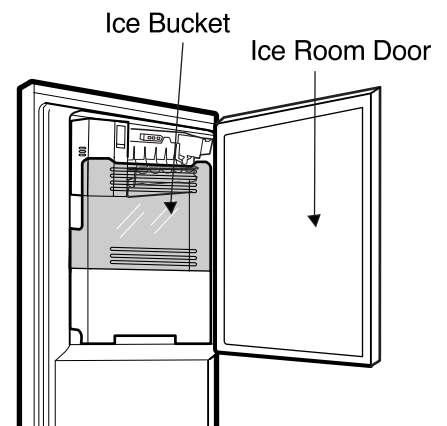
2. PARTS IDENTIFICATION



Use this page to become more familiar with the parts and features. Page references are included for your convenience.

NOTE: This guide covers several different models. The refrigerator you have purchased may have some or all of the items listed below. The locations of the features shown below may not match your model.

- | | |
|---|--|
| A Refrigerator Light | K Tilt-Out Door Basket |
| B Filter (Inside) | L Durabase |
| C Modular Door Bins | M Divider |
| D Fixed door bin | N Ice Bin |
| E Tilting door bin | O Water Tank Cover |
| F Refrigerator Shelves | P Snack Pan |
| G Crisper | Q Egg Box |
| H Ice Room (Ice Maker and Ice Bucket) | R Dairy Bin |
| I Pull out Drawer | S Bottle Holder (795.7851* Model only) |
| J Turbo Motor | |



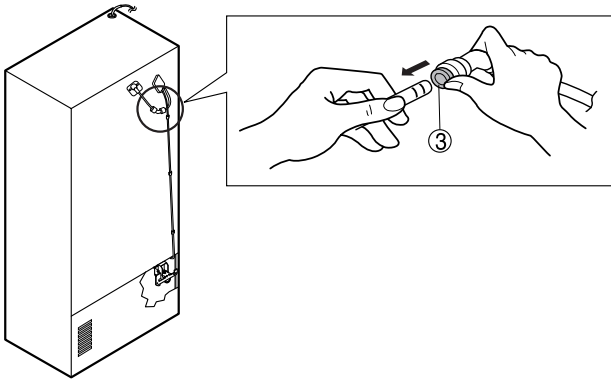
3. DISASSEMBLY

3-1 REMOVING AND REPLACING REFRIGERATOR DOORS

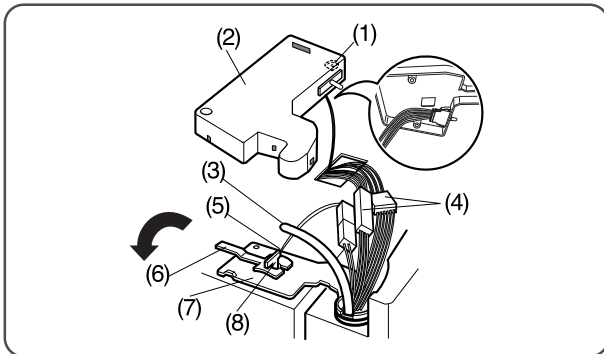
To remove the left refrigerator door:

Pull the water tube out of the fitting while pressing the release ring on the fitting.

When you pull out the tube, first you have to push the collet by opposite direction of arrow in the upper picture and tube pull out by direction of arrow.



CAUTION : Before you begin, remove food and bins from the doors.

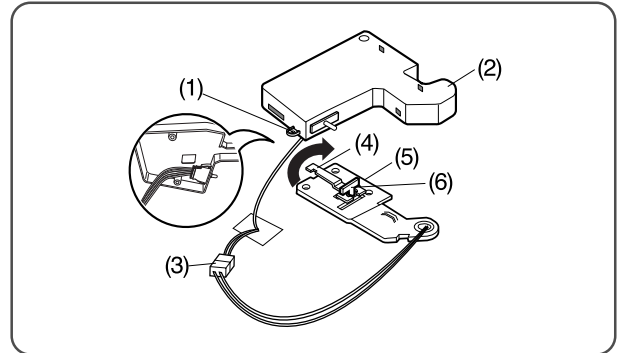


- Open the door. Remove the top hinge cover screw (1).
- Use a flat-head screwdriver to pry back the hooks (not shown) on the front underside of the cover (2). Lift up the cover.
- Remove the cover. Pull out the tube (3).
- Disconnect all the wire harnesses (4).
- Remove the grounding screw(5)
- Rotate hinge lever (6) counterclockwise and remove. Lift the top hinge (7) free of the hinge lever latch (8).

IMPORTANT:When lifting the hinge free of the latch, be careful that the door does not fall forward.

- Lift the door from the middle hinge pin and remove the door.
- Place the door, inside facing up, on a nonscratching surface.

To remove the right refrigerator door:



- Open the door. Remove the top hinge cover screw (1). Lift up the cover (2).
- Remove the cover.
- Disconnect the wire harness (3).
- Rotate the hinge lever (4) clockwise and remove. Lift the top hinge (5) free of the hinge lever latch (6).

IMPORTANT: When lifting the hinge free of the latch, be careful that the door does not fall forward.

WARNING

Explosion Hazard

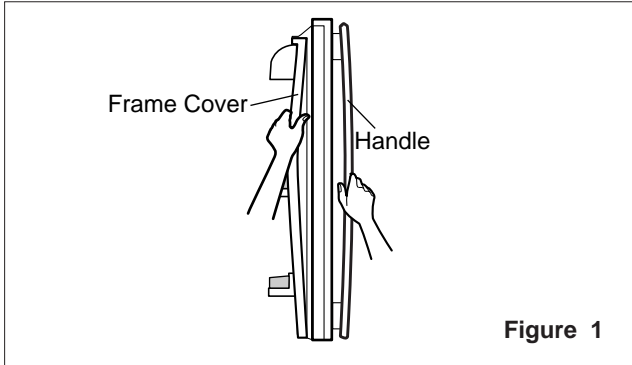
- Disconnect electrical supply to the refrigerator before installing. Failure to do so could result in death or serious injury.
- Do not put hands or feet or other objects into the air vents, base grille, or bottom of the refrigerator. You may be injured or receive an electrical shock.
- Be careful when you work with the hinge, base grille, and stopper. You may be injured.

3-2 DOOR

● Door Gasket Removal

1. Remove door frame cover

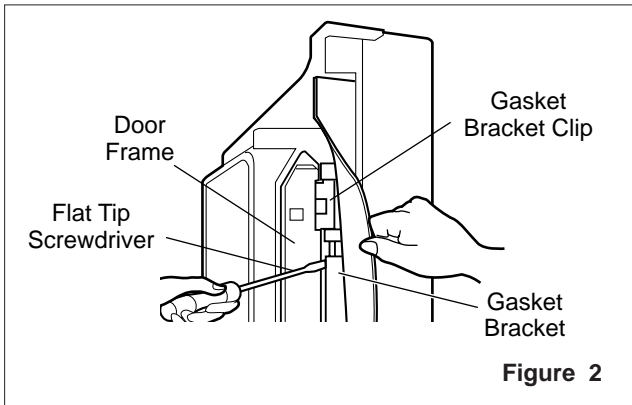
Starting at top of cover and working down, snap cover out and away from door.



2. Remove gasket bracket clips

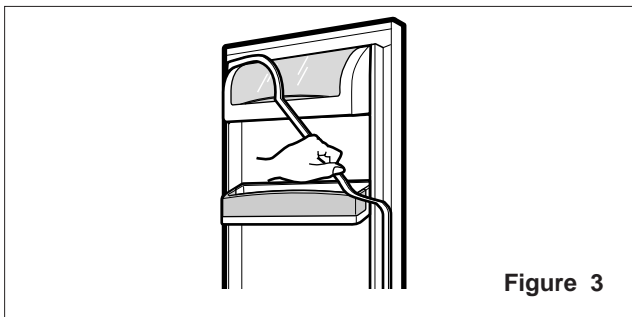
There are two clips on each door. Start bracket removal near one of the middle clips.

- 1) Pull gasket back to expose gasket bracket clip and door frame.
- 2) Insert a flat tip screwdriver into seam between gasket bracket and door frame and pry back until clips snap out.
- 3) Continue prying back along seam until all clips snap out.



3. Remove gasket

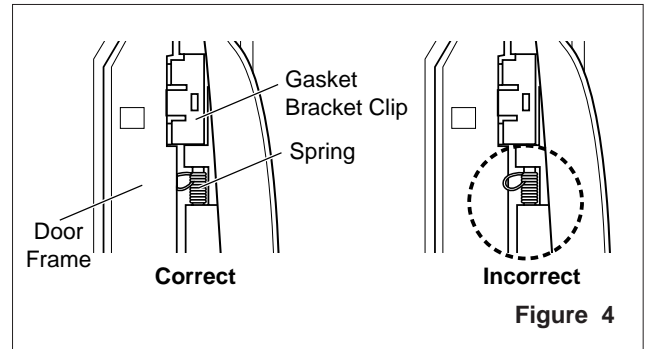
Pull gasket free from gasket channel on the three remaining sides of door.



● Door Gasket Replacement

1. Insert gasket bracket clips

- 1) Insert gasket bracket edge beneath door frame edge.
- 2) Turn upper gasket bracket spring so that the spring ends are in the door channel.
- 3) Push in clip until you hear it snap securely into place.



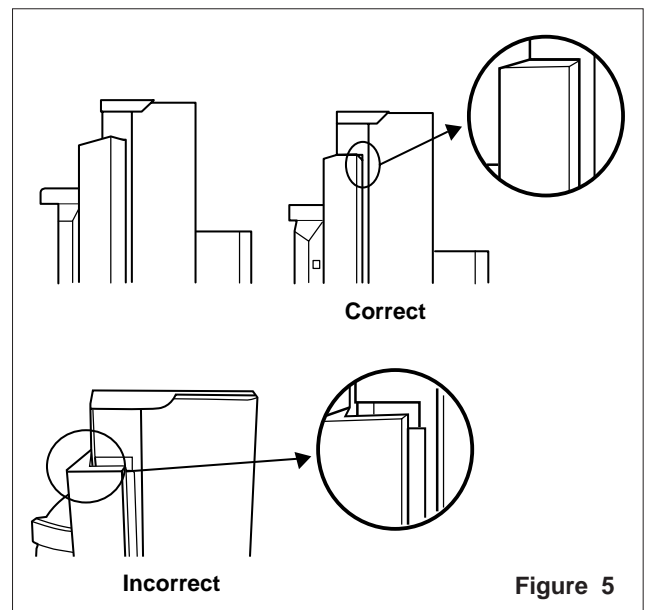
- 4) Push in remaining clip until you hear it snap securely into place.

Note: Make sure that no part of gasket bracket edge protrudes from beneath door frame edge.

2. Insert gasket into channel

- 1) Snap gasket assembly into the door bracket.

<Inserting the Gasket Assembly into the Bracket Door>



- 2) Press gasket into channels on the three remaining sides of door.

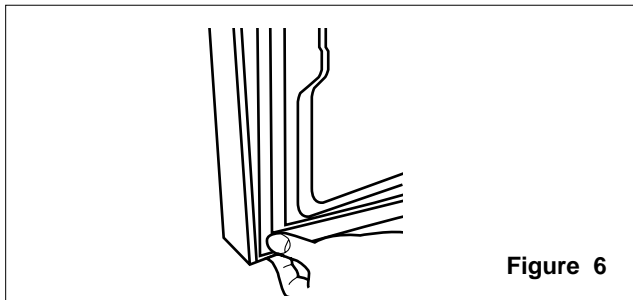


Figure 6

3. Replace door frame cover

Starting at top of cover and working down, snap cover back into door.

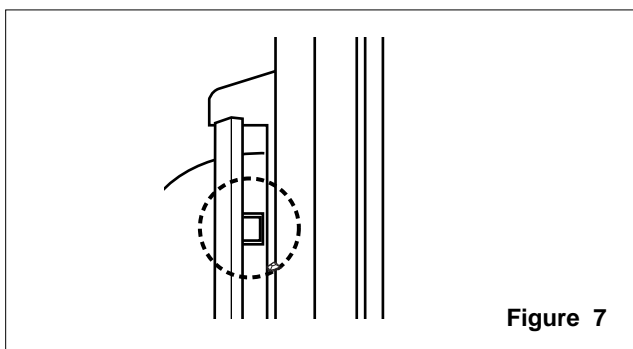


Figure 7

3-3 DOOR ALIGNMENT

If the space between your doors is uneven, follow the instructions below to align the doors:

1. With one hand, lift up the door you want to raise at middle hinge.
2. With other hand, use pliers to insert snap ring as shown.
3. Insert additional snap rings until the doors are aligned.
(Three snap rings are provided with unit.)

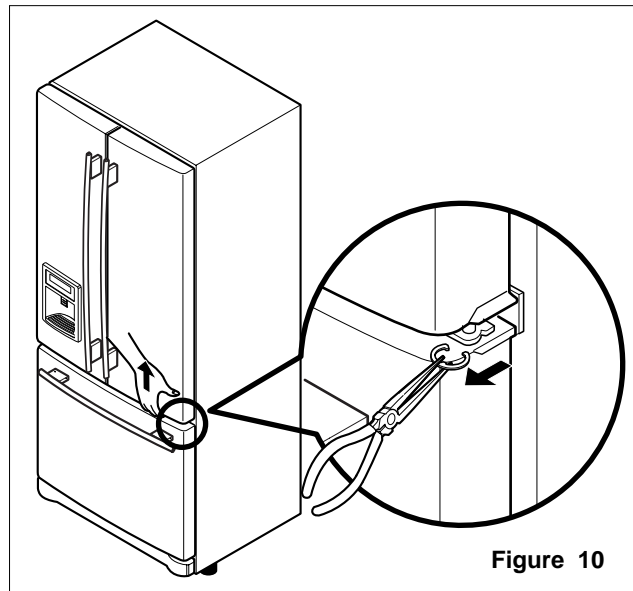


Figure 10

3-4 FAN AND FAN MOTOR(EVAPORATOR)

1. Remove the freezer shelf. (If your refrigerator has an icemaker, remove the icemaker first)
2. Remove the plastic guide for slides on left side by unscrewing phillips head screws.
3. Remove the grille by removing one screw and pulling the grille forward.
4. Remove the Fan Motor assembly by loosening 2 screws and disassembling the shroud.
5. Pull out the fan and separate the Fan Motor and Bracket.

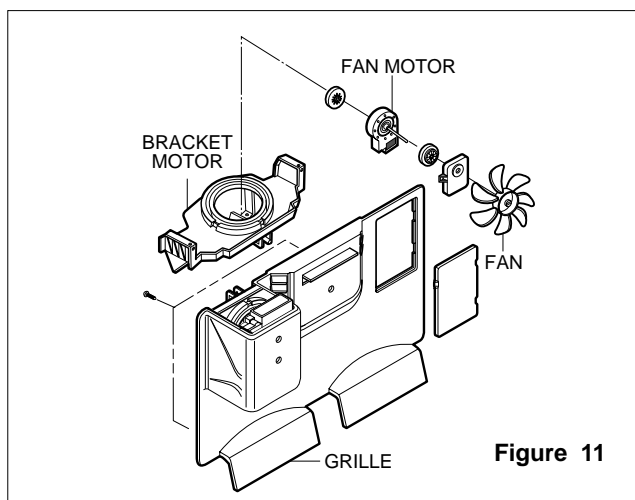


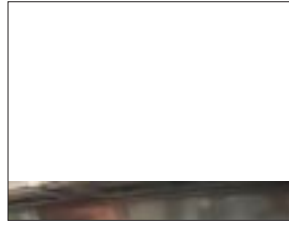
Figure 11

* Ice Fan Scroll Assembly Replacement

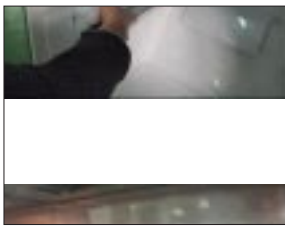
- 1) Remove the plastic guide for slides on left side by unscrewing phillips head screws.
- 2) Pull the grille forward as shown in the second picture.
- 3) Disconnect wire harness of the grille
- 4) Remove the scroll assembly by loosening 2 screws



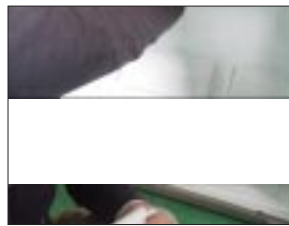
(1)



(2)



(3)



(4)

3-5 DEFROST CONTROL ASSEMBLY

Defrost Control assembly consists of Defrost Sensor and FUSE-M.

The Defrost Sensor works to defrost automatically. It is attached to the metal side of the Evaporator and senses its temperature. At 72°C, it turns the Defrost Heater off.

Fuse-M is a safety device for preventing over-heating of the Heater when defrosting.

1. Pull out the grille assembly. (Figure 12)
2. Separate the connector with the Defrost Control assembly and replace the Defrost Control assembly after cutting the Tie Wrap. (Figure 13)



GRILLE ASSEMBLY

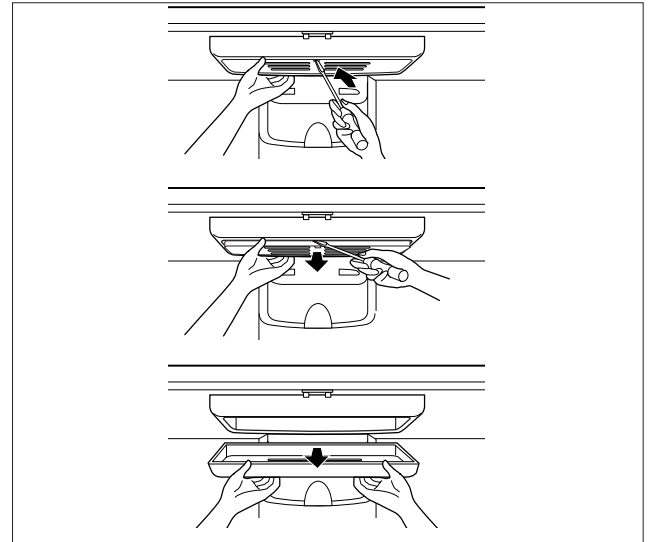
Figure 12



DEFROST-CONTROL ASSEMBLY

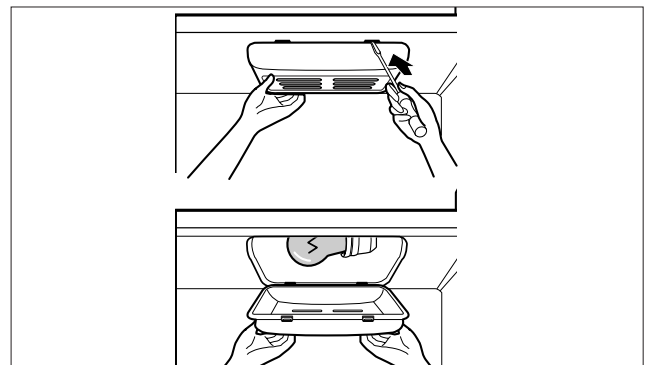
Figure 13

3-6 LAMP



To change Refrigerator Light Bulbs

1. Unplug Refrigerator, or disconnect power at the circuit breaker.
2. If necessary, remove top shelf or shelves.
3. Using a flat instrument, gently pry the lamp cover loose in the front as shown. Rotate downward to remove rear tabs.
4. Make sure the bulbs are cool to the touch. Turn bulbs counterclockwise to remove. Insert new bulb(s).
5. Assemble in reverse order by snapping the Lamp Cover in, engaging the rear tabs followed by the front tabs.



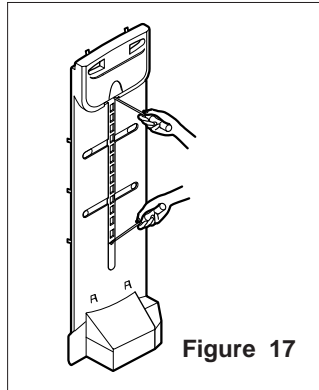
To change freezer light

NOTE: Some models have LED interior lighting and service should be performed by a qualified technician.

1. Unplug refrigerator power cord from outlet.
2. Using a flat instrument, gently pry the lamp cover loose in the front as shown. Rotate downward to remove the rear tabs.
3. Make sure the bulb is cool to the touch. Turn the bulb counterclockwise to remove.
4. Replace with a new 60-watt appliance bulb.
5. Insert tabs on back of cover into slots in freezer ceiling. Push cover up to snap front into place.

3-7 MULTI DUCT

1. Remove the upper and lower Caps by using a flat screwdriver, and remove 2 screws. (Figure 17)
2. Disconnect the lead wire on the bottom position.



3-8 MAIN PWB

- 1) Loosen the 3 screws on the PWB cover.



- 2) Remove the PWB cover



- 3) Disconnect wire harness and replace the main PWB in the reverse order of removal.



3-9 DISPENSER

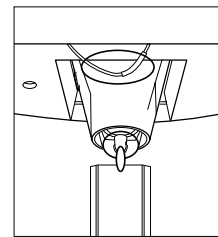
- 1) Disconnect funnel and button assembly by pulling down and forward.



- 2) Remove display frame assembly by making a gap between a display frame assembly and door with a flat blade screwdriver and pulling it forward. The cover dispenser is attached with a hook.



- ⚠ CAUTION:** When replacing the dispenser cover in the reverse order of removal, be careful that the lead wire does not come out and the water tube is not pinched by the dispenser cover, as shown in the picture below.

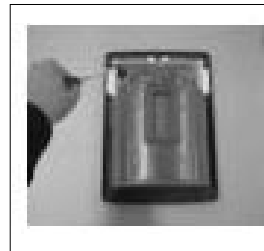


3-10 DISPLAY PWB REPLACEMENT

- 1) Pull up and out on the dispenser cover to remove.



- 2) Follow the steps in the pictures



3-11 FUNNEL REPLACEMENT

- 1) Pull up and out on the dispenser cover to remove.
- 2) Disconnect the wire harness.
- 3) Replace in reverse order.

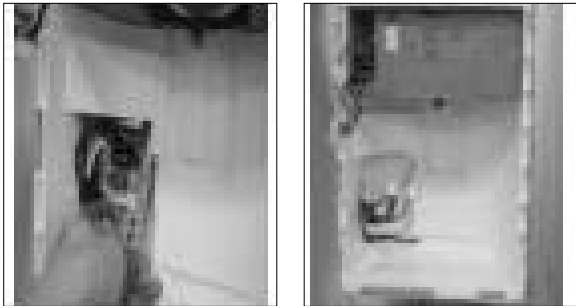


3-12 SUB PWB FOR WORKING DISPENSER

- 1) Loosen the screw on the sub PWB.



- 2) Pull the sub PWB down.
- 3) Disconnect the wire harness and replace the sub PWB in the reverse order of removal.



3-13 DUCT DOOR REPLACEMENT

- 1) Pull up and out on the dispenser cover to remove.
- 2) Disconnect the wire harness.
- 3) Remove the funnel
- 4) Replace in reverse order.



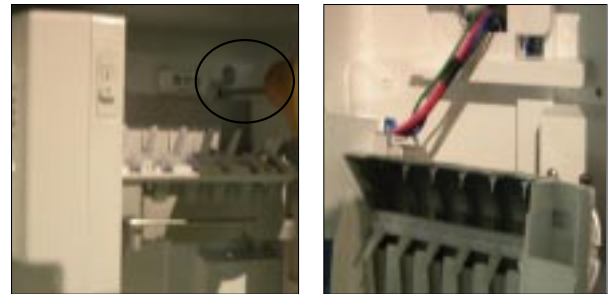
3-14 ICE CORNER DOOR REPLACEMENT

- 1) Loosen the front screw as shown in the picture.
- 2) Lift up the hinge with one hand.
- 3) Pull out the Ice Corner Door with the other hand.



3-15 ICEMAKER ASSEMBLY

- 1) Loosen two screws as shown in the first picture.



- 2) Disconnect the wire harness & ground screw replace the icemaker assembly in the reverse order of removal.

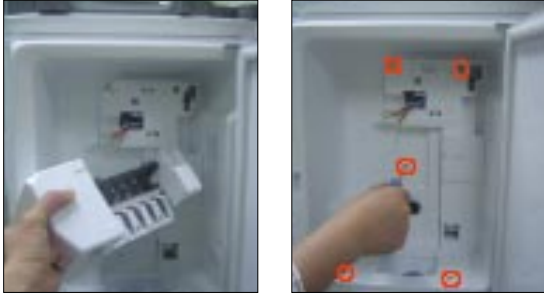


- 3) It separates a ground connection screw.



3-16 AUGER MOTOR COVER

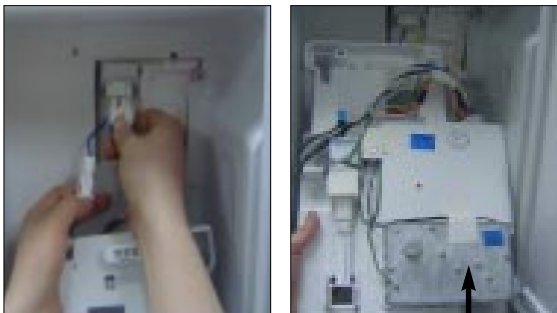
1) After removing the icemaker remove the (5) stainless screws holding the auger motor cover, shown in the pictures below.



2) Grip the bottom of motor cover assembly and pull out it.



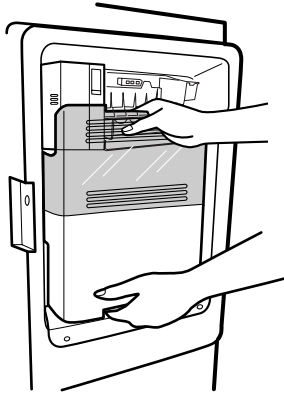
3) Disconnect wire harness of motor cover assembly. There is an auger motor on the back, as shown in the picture.



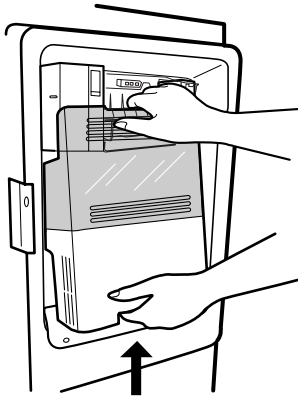
↑
Auger Motor

3-17 HOW TO REMOVE A DOOR ICE BIN

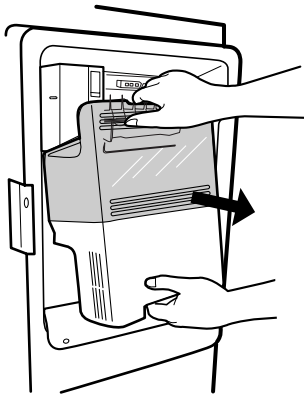
1) Grip the handles, as shown in the picture.



2) Lift the lower part slightly.

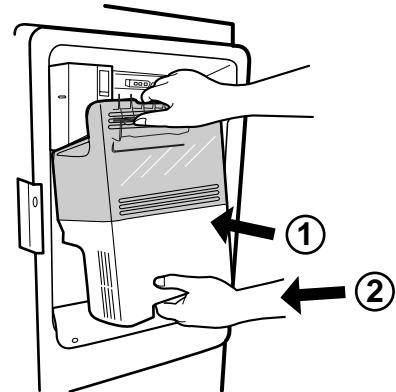


3) Take the Ice Bin out slowly.

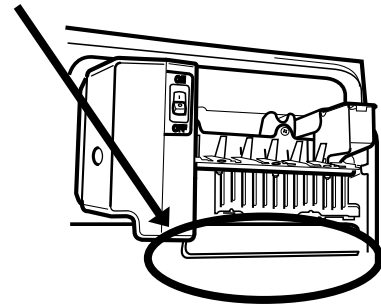


3-18 HOW TO INSERT A DOOR ICE BIN

1) Insert the Ice Bin, slightly tilting it to avoid touching the Icemaker. (especially, ice maker lever)



※ Insert the ice bucket carefully avoid contacting the automatic shut off arm.



3-19 HOW TO REMOVE AND REINSTALL THE PULLOUT DRAWER

3-19-1 Follow Steps to Remove

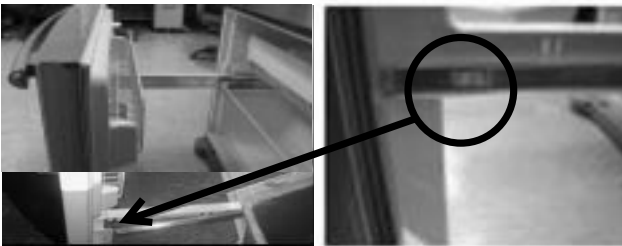
Step 1) Open the freezer door.



Step 2) Remove the lower basket.



Step 3) Remove the two screws from the guide rails (one from each side).



Step 4) Lift the freezer door up to unhook it from the rail support and remove. Pull both rails to full extension.

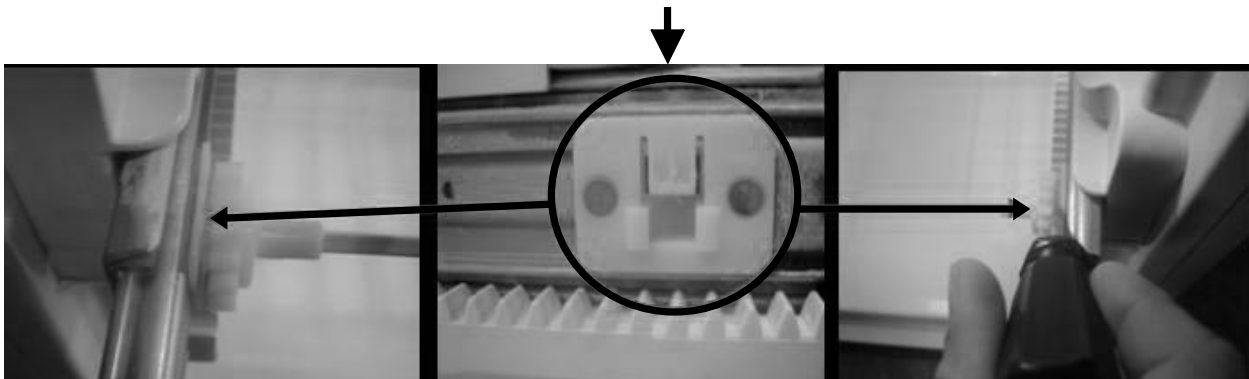


Step 5) First: Remove the gear from the left side first by releasing the tab behind the gear, place a screwdriver between the gear and the tab and pull up on the gear.

Second: Remove the center rail.

Third: Remove the gear from the right side by following the same steps for the left side.

NOTE: THIS TAB MUST BE PUSHED IN TO RELEASE THE GEAR.



3-19-2 Follow Steps to Reinstall

Step 1) Reinstall the right side gear into the clip.



Step 2) Insert the rail into the right side gear. Gears do **not** need to be perpendicular to each other.

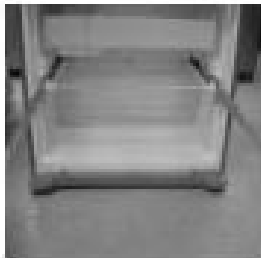


Step 3) Insert the rail into the left side gear, and insert the gear into the clip.



Step 4) The rail system will align itself by pushing the rails all the way into the freezer section. Pull the rails back out to full extension.

Step 5) Reinstall the freezer door by inserting the rail tabs into the guide rail.



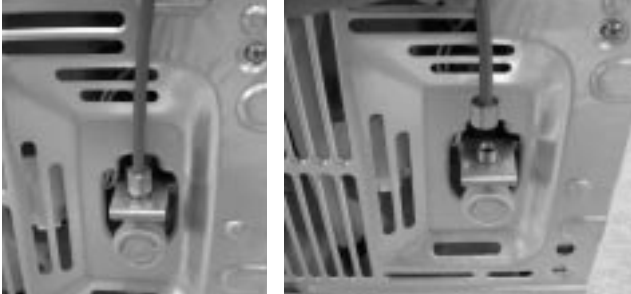
Step 6) Reinstall the two screws into the guide rails (one from each side).

Step 7) Reinstall the lower basket, and close the freezer door.



3-20. WATER VALVE DISASSEMBLY METHOD

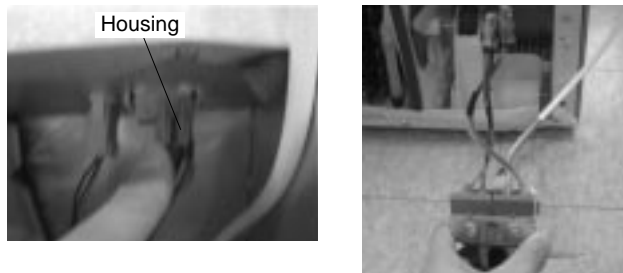
1) Turn off the water. Then separate the water line from the valve.



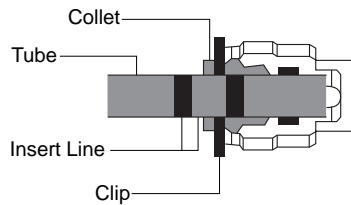
2) Separate the Mechanical Cover and Valve Screw.



3) Separate the housing and pull out the valve.

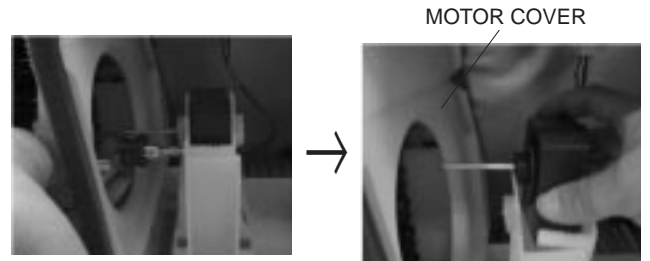


4) Lay a dry towel on the floor and get ready to spill water from the water filter. Pull out the Cilp. Then press te collet to separate the tube from the connector and pour out the water until emptied.

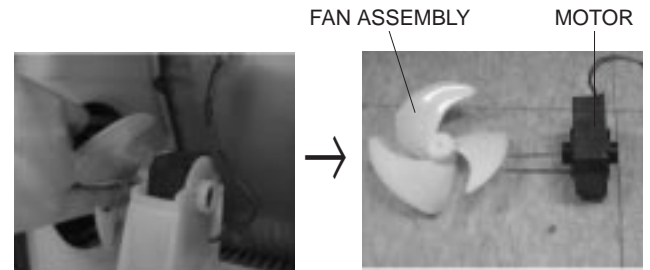


3-21. FAN AND FAN MOTOR DISASSEMBLY METHOD

1) Using a short screwdriver, loosen one SCREW in DRAIN PIPE ASSEMBLY and one connected to the MOTOR COVER.



2) Pull and separate the FAN ASSEMBLY and MOTOR turning counterclockwise based on the MOTOR SHAFT.

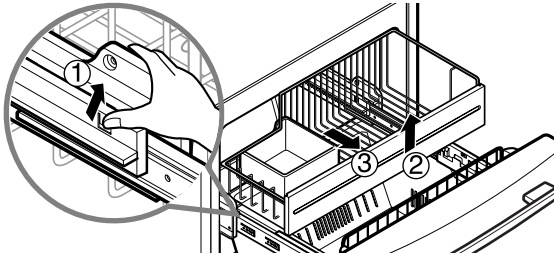


The assembly is in the reverse order of the disassembly and take special care for the following details.

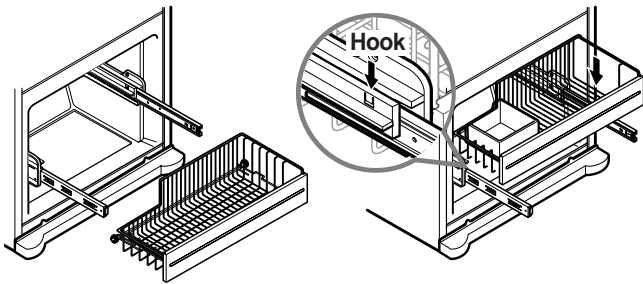
1. Be careful not to bend the tube during assembly.
2. Press the WATER DISPENSER button until water pours out and check for leakage in the CONNECTOR TUBE (It differs by the water pressure but usually takes about 2 minutes until water pours out.)

3-22 PULL OUT DRAWER

To separate the drawer, push the front left and right hooks in ① direction to pull up and remove.
Then gently lift the gear part of rear left and right side of the drawer and pull it out in ③ direction.



To install, reposition the gear part of rear left and right side of the drawer after pulling out both rails as much as possible, and gently push down both left and right side while checking the hook on the front part.



4. ADJUSTMENT

4-1 COMPRESSOR

4-1-1 Role

The compressor intakes low temperature and low pressure gas from the evaporator of the refrigerator and compresses this gas to high-temperature and high-pressure gas. It then delivers the gas to the condenser.

4-1-2 Composition

The compressor includes overload protection. The PTC starter and OLP (overload protector) are attached to the outside of the compressor. Since the compressor is manufactured to tolerances of 1 micron and is hermetically sealed in a dust and moisture-free environment, use extreme caution when performing repairs.

4-1-3 Note for Usage

- (1) Be careful not to allow over-voltage and over-current.
- (2) If compressor is dropped or handled carelessly, poor operation and noise may result.
- (3) Use proper electric components appropriate to the Particular Compressor in your product.
- (4) Keep Compressor dry.
If the Compressor gets wet (in the rain or a damp environment) and rust forms in the pin of the Hermetic Terminal, poor operation and contact may result.
- (5) When replacing the Compressor, be careful that dust, humidity, and soldering flux don't contaminate the inside of the compressor. Dust, humidity, and solder flux contaminate the cylinder and may cause noise, improper operation or even cause it to lock up.

4-2 PTC-STARTER

4-2-1 Composition of PTC-Starter

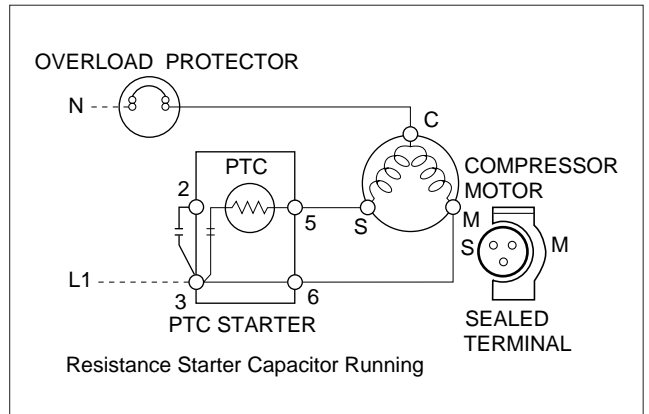
- (1) PTC (Positive Temperature Coefficient) is a no-contact semiconductor starting device which uses ceramic material consisting of BaTiO₃.
- (2) The higher the temperature is, the higher the resistance value. These features are used as a starting device for the Motor.

4-2-2 Role of PTC-Starter

- (1) The PTC is attached to the Sealed Compressor and is used for starting the Compressor Motor.
- (2) The compressor is a single-phase induction motor. The starting operation, the PTC allows current flow to both the start winding and main winding.

4-2-3 PTC-Applied Circuit Diagram

● Starting Method for the Motor



4-2-4 Motor Restarting and PTC Cooling

- (1) It requires approximately 5 minutes for the pressure to equalize before the compressor can restart.
- (2) The PTC device generates heat during operation. Therefore, it must be allowed to cool before the compressor can restart.

4-2-5 Relation of PTC-Starter and OLP

- (1) If the compressor attempts to restart before the PTC device is cooled, the PTC device will allow current to flow only to the main winding.
- (2) The OLP will open because of the over current condition. This same process will continue (3 to 5 times) when the compressor attempts to restart until the PTC device has cooled. The correct OLP must be properly attached to prevent damage to the compressor.
Parts may appear physically identical but could have different electrical ratings. Replace parts by part number and model number. Use only approved substitute parts.

4-2-6 Note for Using the PTC-Starter

- (1) Be careful not to allow over-voltage and over-current.
- (2) Do not drop or handle carelessly.
- (3) Keep away from any liquid.
If liquid such as oil or water enters the PTC, PTC materials may fail due to breakdown of their insulating capabilities.
- (4) If the exterior of the PTC is damaged, the resistance value may be altered. This can cause damage to the compressor and result in a no-start or hard-to-start condition.
- (5) Always use the PTC designed for the compressor and make sure it is properly attached to the compressor. Parts may appear physically identical but could have different electrical ratings. Replace parts by part number and model number. Use only approved substitute parts.

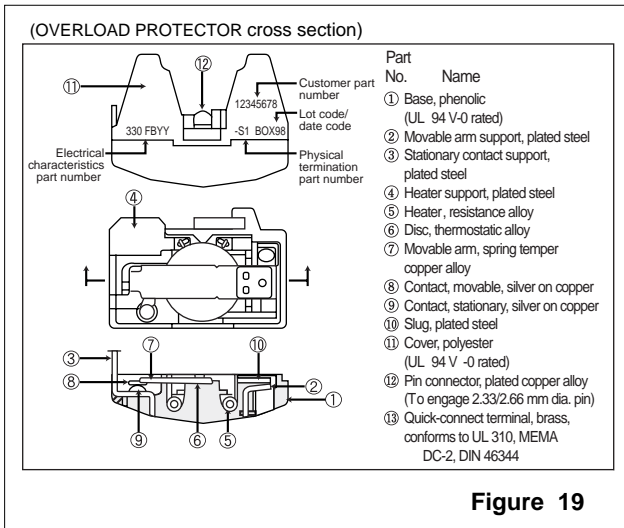
4-3 OLP (OVERLOAD PROTECTOR)

4-5-1 Definition of OLP

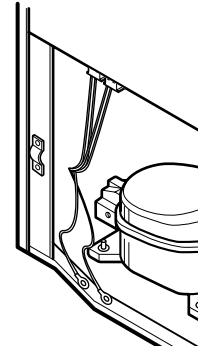
- (1) OLP (OVERLOAD PROTECTOR) is attached to the Compressor and protects the Motor by opening the circuit to the Motor if the temperature rises and activating the bimetal spring in the OLP.
- (2) When high current flows to the Compressor motor, the Bimetal works by heating the heater inside the OLP, and the OLP protects the Motor by cutting off the current flowing to the Compressor Motor.

4-5-2 Role of the OLP

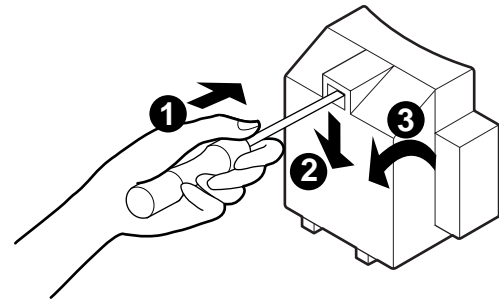
- (1) The OLP is attached to the Sealed Compressor used for the Refrigerator. It prevents the Motor Coil from being started in the Compressor.
- (2) For normal operation of the OLP, do not turn the Adjust Screw of the OLP in any way.



4-4 TO REMOVE THE COVER PTC

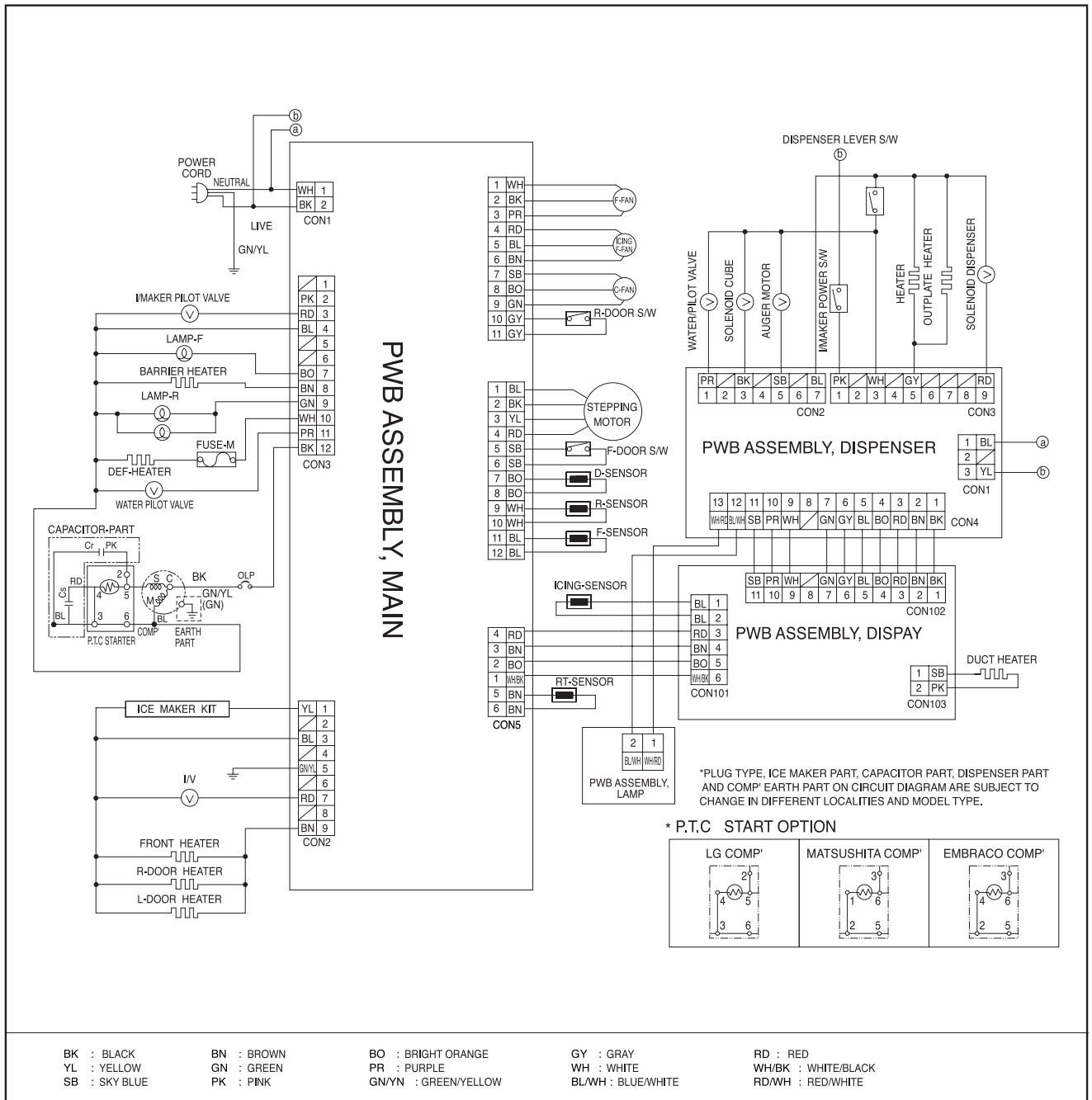


- (1) Remove the Cover Back M/C.
- (2) Disconnect two housing upper side of comp connected in.
- (3) Loosen two screws on comp base.



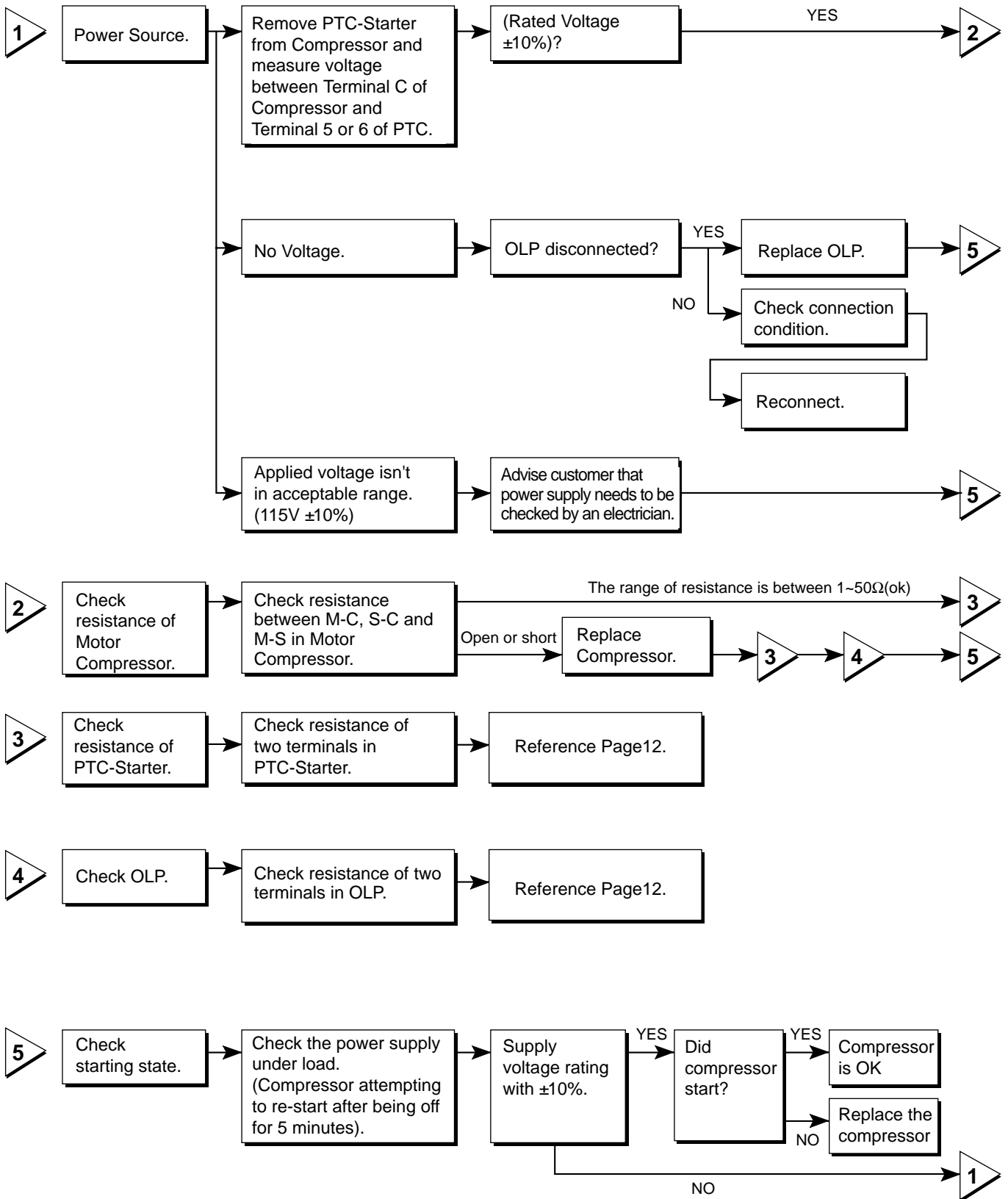
- (4) Use a L-shaped flap tool to pry off the cover.
- (5) Assembly in reverse order of disassembly.

5. CIRCUIT DIAGRAM



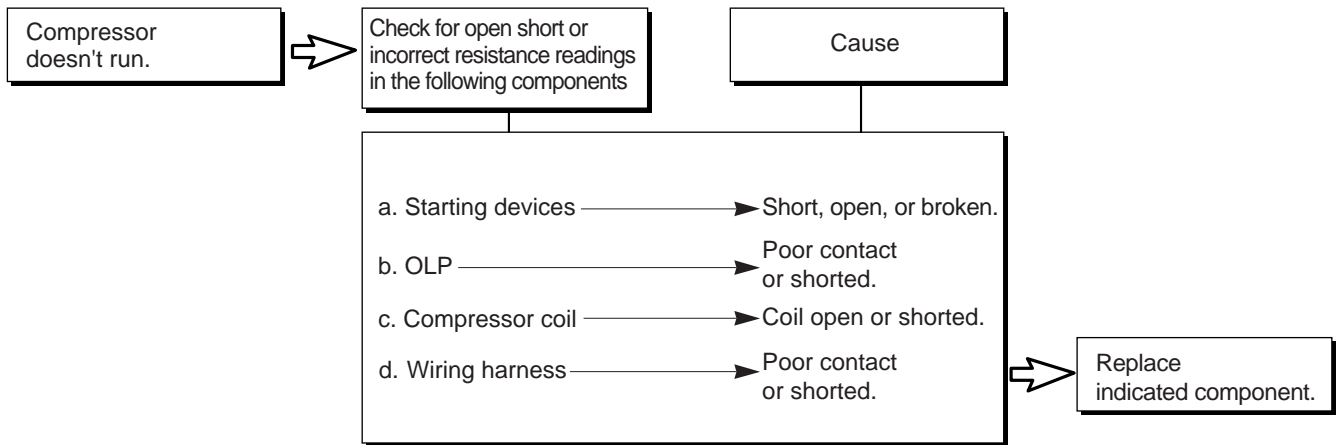
6. TROUBLESHOOTING

6-1 COMPRESSOR AND ELECTRIC COMPONENTS

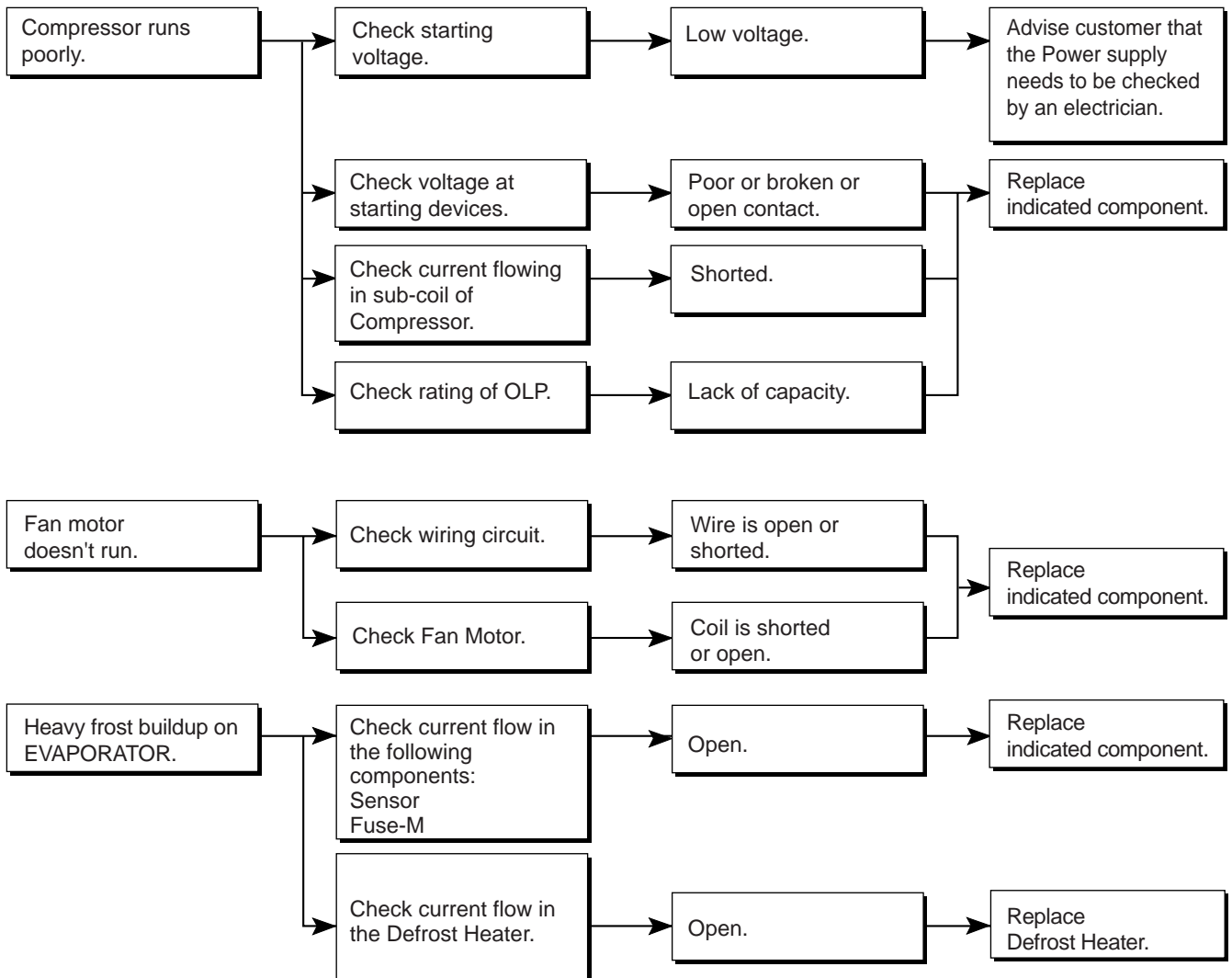


6-2 OTHER ELECTRICAL COMPONENTS

▼ Not cooling at all



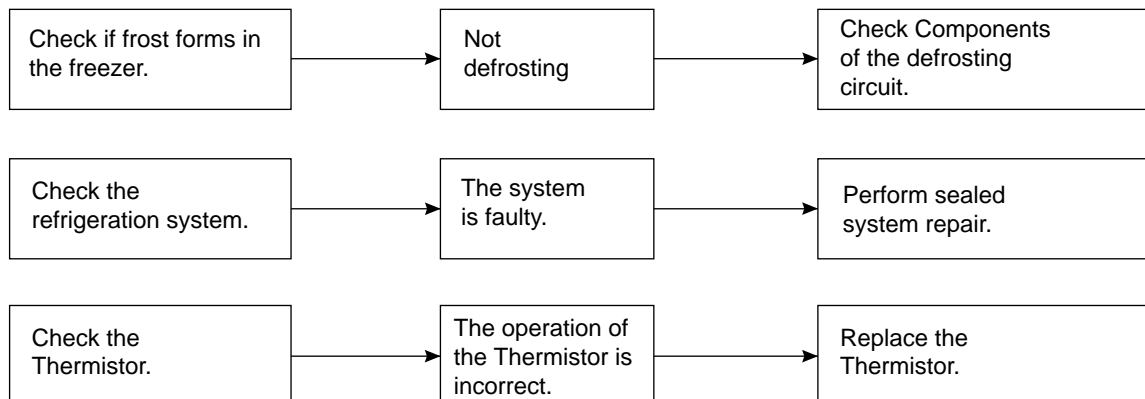
▼ Poor cooling performance



6-3 SERVICE DIAGNOSIS CHART

| COMPLAINT | POINTS TO BE CHECKED | REMEDY |
|--|---|--|
| No Cooling. | <ul style="list-style-type: none"> • Is the power cord unplugged from the outlet? • Check if the power switch is set to OFF. • Check if the fuse of the power switch is shorted. • Measure the voltage of the power outlet. | <ul style="list-style-type: none"> • Plug into the outlet. • Set the switch to ON. • Replace the fuse. • If the voltage is low, correct the wiring. |
| Cools poorly. | <ul style="list-style-type: none"> • Check if the unit is placed too close to the wall. • Check if the unit is placed too close to the stove, gas cooker, or in direct sunlight. • Is the ambient temperature too high or the room door closed? • Check if food put in the refrigerator is hot. • Did you open the door of the unit too often or check if the door is sealed properly? • Check if the Control is set to Warm position. | <ul style="list-style-type: none"> • Place the unit about 4 inches (10 cm) from the wall. • Place the unit away from these heat sources. • Lower the ambient temperature. • Put in foods after they have cooled down. • Don't open the door too often and close it firmly. • Set the control to Recommended position. |
| Food in the Refrigerator is frozen. | <ul style="list-style-type: none"> • Is food placed in the cooling air outlet? • Check if the control is set to colder position. • Is the ambient temperature below 41°F(5°C)? | <ul style="list-style-type: none"> • Place foods in the high-temperature section. (front part) • Set the control to Recommended position. • Set the control to Warm position. |
| Condensation or ice forms inside the unit. | <ul style="list-style-type: none"> • Is liquid food sealed? • Check if food put in the refrigerator is hot. • Did you open the door of the unit too often or check if the door is sealed properly? | <ul style="list-style-type: none"> • Seal liquid foods with wrap. • Put in foods after they have cooled down. • Don't open the door too often and close it firmly. |
| Condensation forms in the Exterior Case. | <ul style="list-style-type: none"> • Check if the ambient temperature and humidity of the surrounding air are high. • Is there a gap in the door gasket? | <ul style="list-style-type: none"> • Wipe moisture with a dry cloth. It will disappear in low temperature and humidity. • Fill up the gap. |
| There is abnormal noise. | <ul style="list-style-type: none"> • Is the unit positioned in a firm and even place? • Are any unnecessary objects placed in the back side of the unit? • Check if the Drip Tray is not firmly fixed. • Check if the cover of the compressor enclosure in the lower front side is taken out. | <ul style="list-style-type: none"> • Adjust the Leveling Screw, and position the refrigerator in a firm place. • Remove the objects. • Fix the Drip Tray firmly in the original position. • Place the cover in its original position. |
| Door does not close well. | <ul style="list-style-type: none"> • Check if the door gasket is dirty with an item like juice. • Is the refrigerator level? • Is there too much food in the refrigerator? | <ul style="list-style-type: none"> • Clean the door gasket. • Position in a firm place and level the Leveling Screw. • Make sure food stored in shelves does not prevent the door from closing. |
| Ice and foods smell unpleasant. | <ul style="list-style-type: none"> • Check if the inside of the unit is dirty. • Are foods with a strong odor unwrapped? • The unit smells of plastic. | <ul style="list-style-type: none"> • Clean the inside of the unit. • Wrap foods that have a strong odor. • New products smell of plastic, but this will go away after 1-2 weeks. |

● Other possible problems:

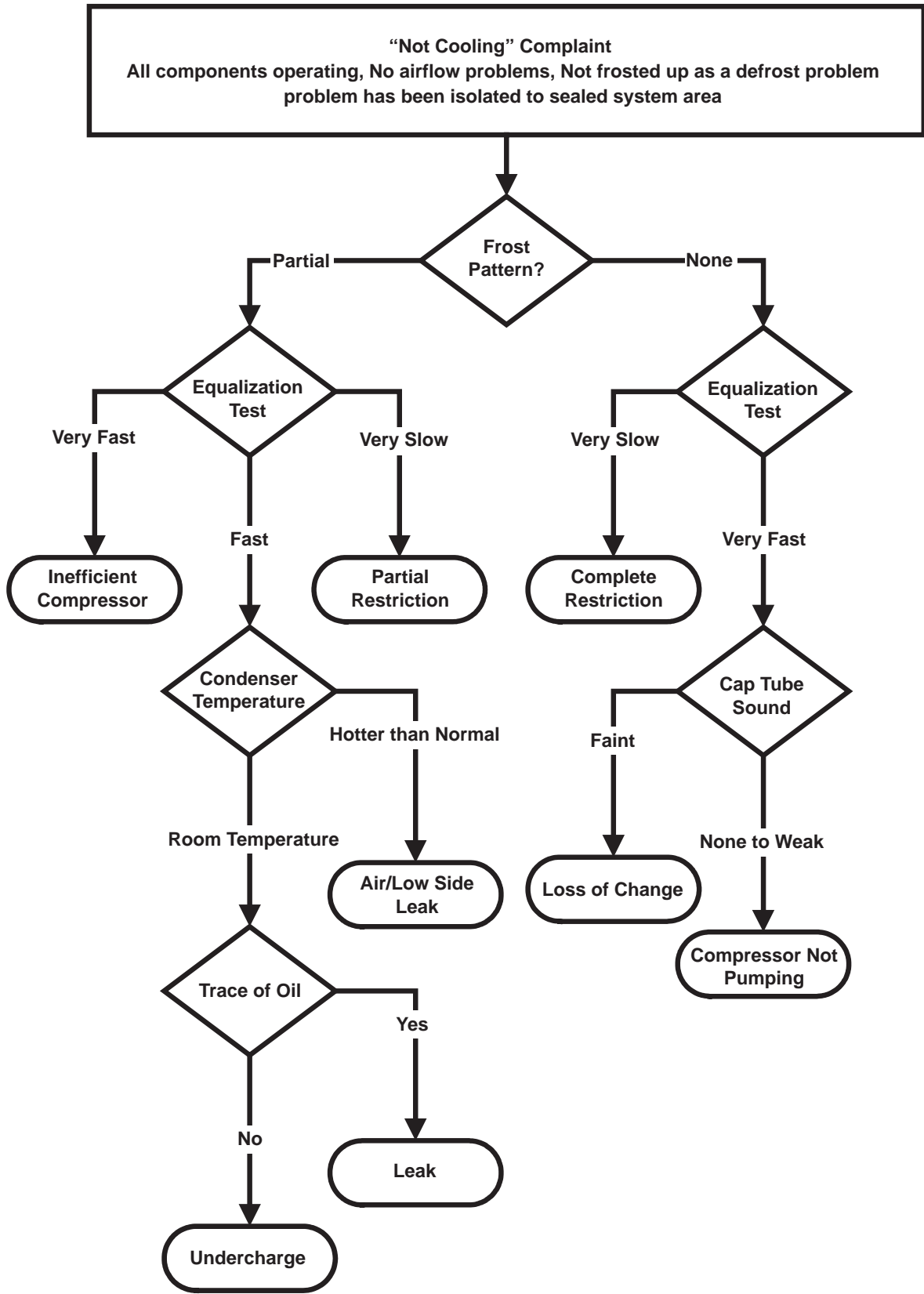


6-4 REFRIGERATION CYCLE

▼ Troubleshooting Chart

| CAUSE | | STATE OF THE UNIT | STATE OF THE EVAPORATOR | TEMPERATURE OF THE COMPRESSOR | REMARKS |
|-----------------------|------------------|---|--|---|---|
| LEAKAGE | PARTIAL LEAKAGE | Freezer compartment and Refrigerator don't cool normally. | Low flowing sound of Refrigerant is heard and frost forms in inlet only. | A little higher than ambient temperature. | <ul style="list-style-type: none"> Refrigerant level is low due to a leak. Normal cooling is possible by restoring the normal amount of refrigerant and repairing the leak. |
| | COMPLETE LEAKAGE | Freezer compartment and Refrigerator don't cool normally. | Flowing sound of refrigerant is not heard and frost isn't formed. | Equal to ambient temperature. | <ul style="list-style-type: none"> No discharging of Refrigerant. Normal cooling is possible by restoring the normal amount of refrigerant and repairing the leak. |
| CLOGGED BY DUST | PARTIAL CLOG | Freezer compartment and Refrigerator don't cool normally. | Flowing sound of refrigerant is heard and frost forms in inlet only. | A little higher than ambient temperature. | <ul style="list-style-type: none"> Normal discharging of the refrigerant. The capillary tube is faulty. |
| | WHOLE CLOG | Freezer compartment and Refrigerator don't cool. | Flowing sound of refrigerant is not heard and frost isn't formed. | Equal to ambient temperature. | <ul style="list-style-type: none"> Normal discharging of the Refrigerant. |
| MOISTURE CLOG | | Cooling operation stops periodically. | Flowing sound of refrigerant is not heard and frost melts. | Lower than ambient temperature. | <ul style="list-style-type: none"> Cooling operation restarts when heating the inlet of the capillary tube. |
| DEFECTIVE COMPRESSION | COMP-RESSION | Freezer and Refrigerator don't cool. | Low flowing sound of refrigerant is heard and frost forms in inlet only. | A little higher than ambient temperature. | <ul style="list-style-type: none"> Low pressure at high side of compressor due to low refrigerant level. |
| | NO COMP-RESSION | No compressing operation. | Flowing sound of refrigerant is not heard and there is no frost. | Equal to ambient temperature. | <ul style="list-style-type: none"> No pressure in the high pressure part of the compressor. |

6-4-1 SEALED SYSTEM DIAGNOSIS

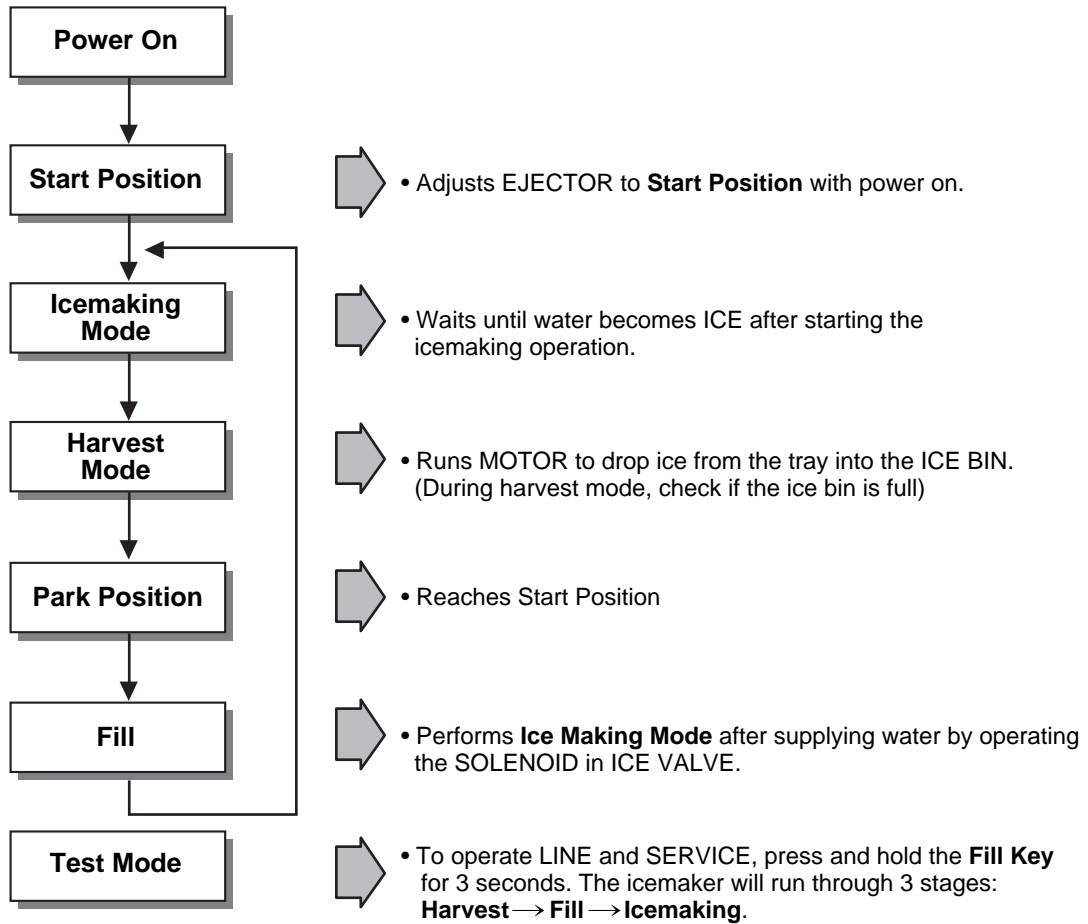


(The equalization test is trying to restart a compressor using a start kit after it has been operating.)

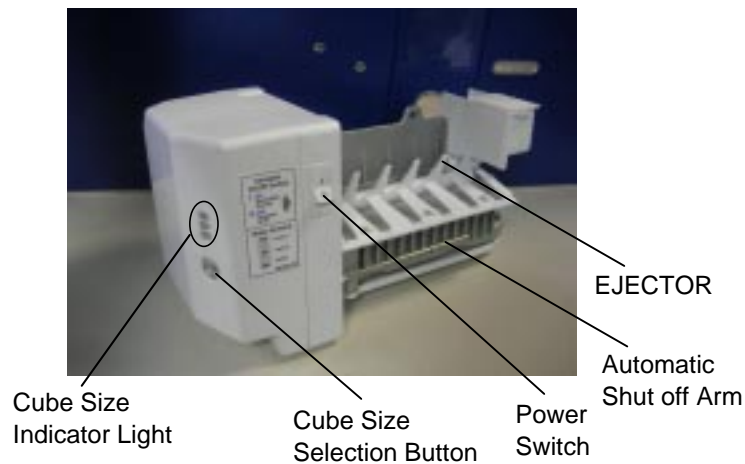
7. OPERATION PRINCIPLE AND REPAIR METHOD OF ICEMAKER

7-1 OPERATION PRINCIPLE

7-1-1 Operation Principle of IceMaker



1. Turning the Icemaker stop switch off (O) stops the ice making function.
2. Setting the Icemaker switch to OFF and then turning it back on will reset the icemaker control.



7-2 ICE MAKER FUNCTIONS

7-2-1. Icemaking Mode

1. Icemaking refers to the freezing of supplied water in the ice tray. Complete freezing is assured by measuring the temperature of the Tray with Icemaking SENSOR.
2. Icemaking starts after completion of the water fill operation.
3. The Ice Making function is completed when the sensor reaches 19°F (-7°C), 55 minutes after starting.

NOTE : After Icemaker Power is ON, the Icemaker heater will be on for test for 6 sec.




7-2-2. Harvest Mode

1. Harvest (Ice removing) refers to the operation of dropping ices into the ice bin from the tray when icemaking has completed.
 2. Harvest mode:
 - (1) The Heater is ON for 30 seconds, then the motor starts.
 - (2) The feeler arm senses the quantity of ice in the ice storage bin while rotating with the EJECTOR.
 - A. Ice storage bin is full : The EJECTOR stops (heater off).
 - B. Ice storage bin is not full : The EJECTOR rotates twice to open for ice.
- ※ If the EJECTOR does not rotate once within 5 minutes in B mode, separate heater control mode starts operating to prevent the EJECTOR from being constrained. (It is recommended that the user open for ice to return to normal mode.)

7-2-3. Fill/Park Position

1. Once a normal harvest mode has been completed, the water solenoid will be activated.
2. The amount of water is adjusted by pressing the Fill Key repeatedly. This changes the time allowed for fill as illustrated in the table below.

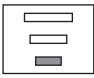
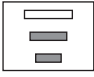

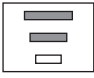

Water supply amount TABLE

| STAGE | TIME TO SUPPLY | INDICATIONS | REMARKS |
|-------|---------------------------|---|--|
| 1 | 5 sec. |  | The water amount will vary depending on the water control Switch setting, as well as the water pressure of the connected water line. |
| 2 | 5.5 sec. (FIRST STAGE) |  | |
| 3 | 6 sec. |  | |

7-2-5 Function TEST

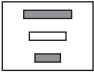
1. This is a forced operation for TEST, Service, cleaning, etc. It is operated by pressing and holding the Fill Key for 3 seconds.
2. The test works only in the Icemaking Mode. It cannot be entered from the Harvest or Fill mode.
3. **Caution!** If the test is performed before water in the icemaker is frozen, the ejector will pass through the water. When the Fill mode begins (Stage 4), unless the water supply has been shut off, added water will overflow into the ice bin. If the control doesn't operate normally in the TEST mode, check and repair as needed.
4. After water is supplied, the normal CYCLE is followed: **icemaking** → **Harvest** → **Park Position** → **Fill**.
5. Five seconds after Stage 5 is completed, the Ice Maker returns to MICOM control. The time needed to supply water resets to the pre- test setting.

Diagnosis TABLE

| STAGE | ITEMS | INDICATOR | REMARKS |
|-------|------------|---|---|
| 1 | HEATER |  | Five seconds after heater starts, a heater will go off if the temperature by sensor is higher than 10°C |
| 2 | MOTOR |  | Five seconds after heater starts, you can confirm that a motor is moving. |
| 3 | HALL IC I |  | Check if Ice Bin is full or not. If Ice bin is full, the motor and heater are off and on stand by until Ice bin is empty. |
| 4 | HALL IC II |  | You can confirm HALL IC detection of start position. |
| 5 | VALVE |  | Two seconds after detection of start position, you can confirm that valve is on. |
| 6 | Reset | Return to Status prior to TEST MODE | Five seconds after fifth stage is completed, The icemaker resets to initial status. |

7-3 DEFECT DIAGNOSIS FUNCTION

7-3-1 ERROR CODES shown on Ice Maker water supply control panel

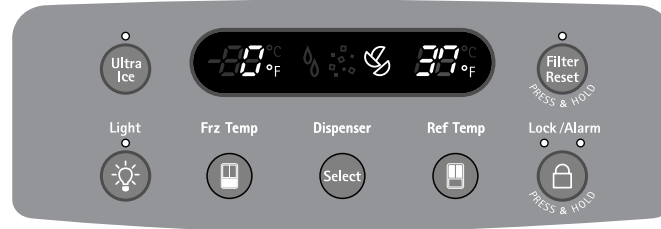
| NO | DIVISION | INDICATOR | CONTENTS | REMARKS |
|----|------------------------------|---|------------------------------|--|
| 1 | Normal | Mark time to supply | None | Display switch operates properly |
| 2 | Icemaking Sensor malfunction |  | Open or short-circuited wire | Make sure that the wire on each sensor is connected. |

8. DESCRIPTION OF FUNCTION & CIRCUIT OF MICOM

8-1 FUNCTION

8-1-1 Function

- When the appliance is plugged in, it is set to 37°F for Refrigerator and 0°F for freezer.
You can adjust the Refrigerator and the Freezer control temperature by pressing the ADJUST button.
- When the power is initially applied or restored after a power failure, it is set to Control temperature Previously.

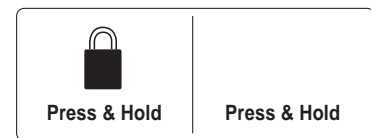


8-1-2 How to Toggle the Display between °F & °C

- The initial setting is °F and the display temperature mode can be changed from °F to °C or °C to °F by pressing and holding the FRZ TEMP and the REF TEMP keys at the same time for over 5 seconds.

8-1-3 Lock function (dispenser and display button lock)

- When the refrigerator is first turned on, the buttons are not locked. The display panel shows the padlock unlocked icon.
- To lock the display, the dispenser, and the control panel, press and hold the LOCK button for 3 seconds. The locked pad lock icon is displayed.
- The LOCK button is the only control feature that remains active in the locked state. The buzzer sound, other control buttons, and the dispenser are deactivated.
- To release from the locked state, press and hold the LOCK button again for 3 seconds.




Ex) In selecting "LOCK"

Ex) In selecting "LOCK" again

8-1-4 Filter condition display function

- There is a replacement indicator light for the filter cartridge on the dispenser.
- Water filter needs replacement once six months or of using water filter.
- Water Filter icon turn on to tell you need to replace the filter soon.
- After replacing the filter, press and hold the lock button more than 3 seconds.
Water Filter icon turn off with reset status.

Classification

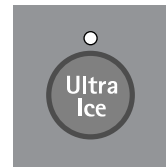
| | |
|------------------------------------|---|
| In initial Power On / Filter RESET | Replace indicator light on |
| Press & Hold |  Press & Hold |

Filter Status Display

8-1-5 Ultra Ice selection

Please select this function for quick freezing.

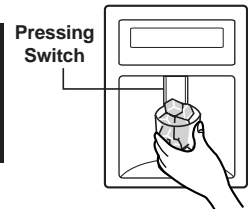
- Function is repeat Ultra Ice Icon whenever pressing Ultra Ice button.
- Ultra Ice function automatically turns off after a fixed time passes.



8-1-6 Dispenser use selection

You can select water or ice.

- * Select water, crushed ice, or ice cubes by cycling through the selections when pressing the DISPENSER button,
- * Hold your cup in the dispenser for a few seconds after dispensing ice or water to allow the last pieces of ice or drops of water to fall into the cup.
- * When after initially establishing the water comes out, the water tank inside fills and until at the time of quality the hour is caught.



8-1-7 DISPENSER LIGHT

-Whenever pressed the LIGHT button, DISPLAY is changed as follows.



①



②



③



- ① Normal status: When dispenser is operated, DISPENSER LIGHT is ON.
- ② AUTO status: Detecting the lighting of room by LIGHT SENSOR, DISPENSER LIGHT is on and off automatically.
- ③ ON status: DISPENSER LIGHT is on continuously.

8-1-8 CONTROL OF FREEZER FAN MOTOR

1. Freezer fan motor has high and standard speeds.
2. High speed is used at power-up, for Ultra Ice, and when refrigerator is overloaded. Standard speeds is used for general purposes.
3. To improve cooling speed, the RPM of the freezer fan motor change from normal speed to high.
4. High speed (2700RPM) : Initial power on or load corresponding operation, Ultra Ice. Normal speed (2400RPM) : General working conditions.
5. Fan motor stops when refrigerator or freezer door opens.

8-1-9 Cooling Fan Motor

1. The cooling fan is switched ON and OFF in conjunction with the compressor.
2. The cooling fan runs at a single speed.
3. The Failure sensing method is the same as in the fan motor of the freezing fan motor(refer to failure diagnosis function table for failure display).

8-1-10 Ice Compartment Fan

1. The Icing Fan is controlled by the the sensor on the top of the ice compartment.
2. The Failure sensing method is the same as in the fan motor of the freezer (refer to failure diagnosis function table for failure display)

8-1-11 Ultra Ice

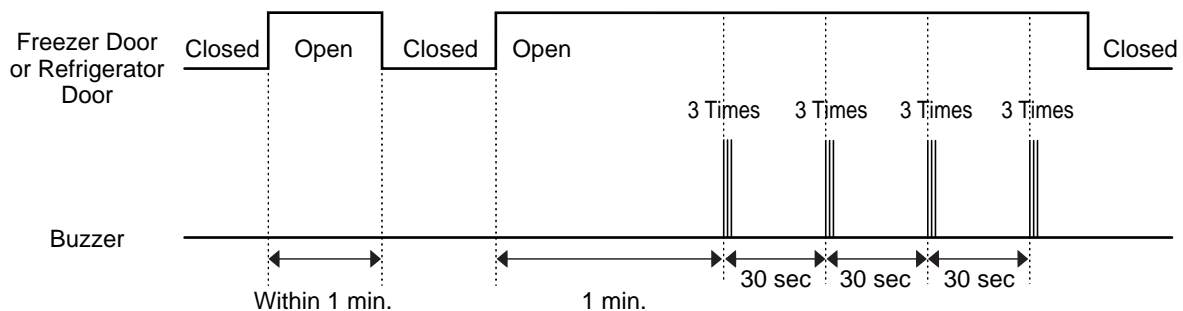
1. The purpose of this function is to intensify the cooling speed of freezer and to increase the amount of ice.
2. Whenever selection switch is pressed, selection/release, the LED will turn ON or OFF.
3. If there is a power outage and the refrigerator is powered on again, Ultra Ice will be canceled.
4. To activate this function, press the Ultra Ice key and the LED will turn ON. This function will remain activated for 24 hrs. The first three hours the compressor and Freezer Fan will be ON. The next 21 hours the freezer will be controlled at the lowest temperature. After 24 hours or if the Ultra Ice key is pressed again, the freezer will return to its previous temperature.
5. During the first 3 hours:
 - (1) Compressor and freezer fan (HIGH RPM) run continuously.
 - (2) If a defrost cycle begins during the first 90 minutes of Ultra Ice, the Ultra Ice cycle will complete its cycle after defrosting has ended.
If the defrost cycle begins when Ultra Ice has run for more than 90 minutes, Ultra Ice will run for two hours after the defrost is completed.
 - (3) If Ultra Ice is pressed during defrost, Ultra Ice LED is on but this function will start seven minutes after defrost is completed and it shall operate for three hours.
 - (4) If Ultra Ice is selected within seven minutes after compressor has stopped, the compressor (compressor delays seven minutes) shall start after the balance of the delay time.
 - (5) The fan motor in the freezer compartment runs at high speed during Ultra Ice.
6. For the rest of the 21 hours, the freezer will be controlled at the lowest temperature.

8-1-12 FREEZER & REFRIGERATOR LAMP AUTO OFF

1. To avoid heat damage caused by the lamp, it is turned off automatically when the refrigerator door is open for more than 7 minutes.

8-1-13 Alarm for Open Door

1. This feature sounds a buzzer when the freezer or refrigerator door is not closed within 1 minute after it is opened.
2. One minute after the door is opened, the buzzer sounds three times each for 1/2 seconds. These tones repeat every 30 seconds.
3. The alarm is cancelled when the freezer or the refrigerator is closed while the buzzer sounds.



8-1-14 Defrosting (removing frost)

1. Defrosting starts each time the COMPRESSOR running time reaches 7 hours.
2. For initial power on or for restoring power, defrosting starts when the compressor running time reaches 4 hours.
3. Defrosting stops if the sensor temperature reaches 46.4°F(8°C) or more. If the sensor doesn't reach 46.4°F(8°C) in 2 hours, the defrost mode is malfunctioning. (Refer to the defect diagnosis function, 8-1-15.)
4. Defrosting won't function if its sensor is defective (wires are cut or short circuited)

8-1-15 Defect Diagnosis Function

1. Automatic diagnosis makes servicing the refrigerator easy.
2. When a defect occurs, the buttons will not operate; but the tones. such as ding. will sound.
3. When the defect CODE removes the sign, it returns to normal operation (RESET).
4. The defect CODE shows on the Refrigerator and Freezer Display.



- * LCD check function: If simultaneously pressing Ultra Ice button and freezing temperature adjustment button for a second, display LCD graphics on. If releasing the button, the LCD graphic displays the previous status.

ERROR CODE on display panel

| NO | Error Detection Category | Error Display | | Error Generation Factors | Remark |
|----|---|---------------------|------------------|--|--|
| | | Freezer Temperature | Ref. Temperature | | |
| 1 | Normality | | | None | Normal operation of Display |
| 2 | Freezer Sensor Error | Er | FS | Short or Disconnection of Freezer Sensor | Each Sensor have to check disconnection |
| 3 | Refrigerator Sensor Error | Er | rS | Short or Disconnection of Refrigerator Sensor | |
| 4 | Defrosting Sensor Error | Er | dS | Short or Disconnection of Defrosting Sensor | |
| 5 | Icing Sensor Error | Er | IS | Short or Disconnection of Icing Sensor | |
| 6 | Poor Defrosting | Er | dH | Even though it is passed 1 hour since then Defrosting , if Defrosting sensor is not over 8°C, it is caused | Temperature Fuse Disconnection, Heater disconnection, DRAIN Jam, Poor Relay for Heater |
| 7 | Abnormality of BLDC FAN Motor for Ice Making | Er | IF | It is caused when F/B signal isn't over 115 seconds during BLDC FAN motor operating | Poor BLDC Motor connection, DRIVE IC, and TR |
| 8 | Abnormality of BLDC FAN Motor for Freezer | Er | FF | It is caused when F/B signal isn't over 115 seconds during BLDC FAN motor operating | Poor BLDC Motor connection, DRIVE IC, and TR |
| 9 | Abnormality of BLDC FAN Motor for Mechanic Room | Er | CF | It is caused when F/B signal isn't over 115 seconds during BLDC FAN motor operating | Poor BLDC Motor connection, DRIVE IC, and TR |
| 10 | Communication Error | Er | CO | Communication Error between Micom of Main PCB and Display Micom | Poor Communication connection, Poor TR of Transmitter and Receiver |

8-1-16 TEST Mode

1. The Test mode allows checking the PCB and the function of the product as well as finding out the defective part in case of an error.
2. The test mode is operated by pressing two buttons at Display panel.
3. While in the test mode, the function control button is not recognized, but the recognition tone sounds.
4. After exiting the test mode, be sure to reset by unplugging and then plugging in the appliance.
5. If an error, such as a sensor failure, is detected while in the test mode, the test mode is cleared and the error code is displayed.
6. While an error code is displayed, the test mode will not be activated.

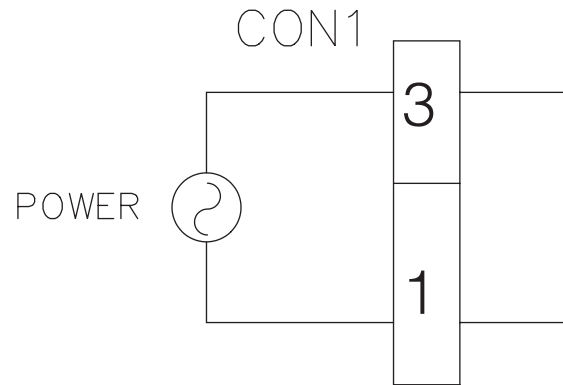
Table 1. Function Test

| MODE | OPERATION | FUNCTION | REMARKS |
|-------|---|---|--|
| TEST1 | Push FREEZER KEY and LOCK KEY at the same time over 5 seconds OR Push Test Switch (in the main Board) once.(See page 39) | <ol style="list-style-type: none"> 1) Continuous operation of the COMPRESSOR and the Freezer fan 2) Stepping DAMPER OPEN 3) Defrosting HEATER OFF 4) DISPLAY LED all ON | |
| TEST2 | Push FREEZER KEY and LOCK KEY at the same time over 5 seconds in TEST MODE 1 OR Push TEST Switch once in TEST MODE1.(See page 39) | <ol style="list-style-type: none"> 1) Continuous operation of the COMPRESSOR and the Freezer fan 2) Stepping DAMPER CLOSE 3) Defrosting HEATER OFF 4) DISPLAY LED shows no. 2 | |
| TEST3 | Push FREEZER KEY and LOCK KEY at the same time over 5 seconds in TEST MODE 2 OR Push TEST Switch once in TEST MODE2.(See page 39) | <ol style="list-style-type: none"> 1) COMPRESSOR and the Freezer fan OFF 2) Stepping DAMPER CLOSE 3) Defrosting HEATER ON 4) DISPLAY LED shows no. 3 | Reset if the Temperature of the Defrosting Sensor is 46°F(8°C)or more. |
| RESET | Push FREEZER KEY and LOCK KEY at the same time over 5 seconds in TEST MODE 3 OR Push TEST Switch once in TEST MODE3.(See page 39) | Reset to the previously setting Before TEST MODE. | The compressor will Start after a 7-minute Delay. |

8-2 PCB FUNCTION

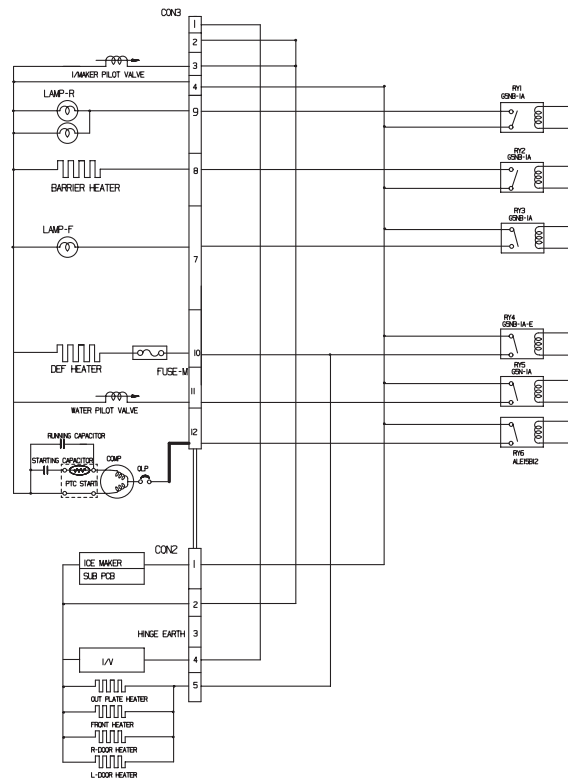
8-2-1 Power Circuit

1. Power is supplied to the control board at pin1 and 3 of connector #1.



8-2-2 Load / Fan & Open Door Detection Circuit

1. Load Drive Condition Check



To measure outputs of the control board, check voltages between the pins for the following components:

| Circuit | Pin Number | Pin Number | Output Voltage |
|---|------------|------------|----------------|
| I/Maker Pilot Valve | Con3 Pin3 | Con3 Pin2 | 115 VAC |
| Lamp-R | Con3 Pin9 | Con3 Pin2 | 115 VAC |
| Barrier Heater | Con3 Pin8 | Con3 Pin2 | 115 VAC |
| Lamp-F | Con3 Pin7 | Con3 Pin2 | 115 VAC |
| Def Heater | Con3 Pin10 | Con3 Pin2 | 115 VAC |
| Water Pilot Valve | Con3 Pin11 | Con3 Pin2 | 115 VAC |
| Compressor | Con3 Pin12 | Con3 Pin2 | 115 VAC |
| Out Plate, Front, R-Door, L-Door Heater | Con2 Pin5 | Con3 Pin2 | 115 VAC |

NOTE: When the door of the freezer/refrigerator is left open for 7 minutes or longer, the lamp of the freezer/refrigerator turns.

2-1. Freezing compartment fan

| | Pin1 & 2 of con4 |
|-----------|------------------|
| MOTOR OFF | 2V or less |
| MOTOR ON | 13V~15V |

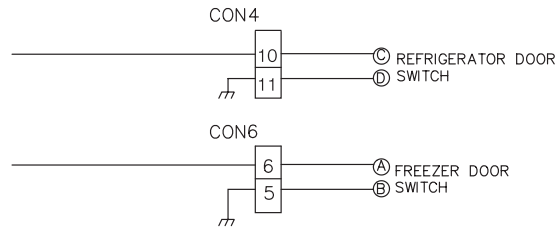
2-2. Machine compartment fan

| | |
|-----------|------------------|
| | Pin7 & 8 of con4 |
| MOTOR OFF | 2V or less |
| MOTOR ON | 13V~15V |

2-3. Icing compartment fan

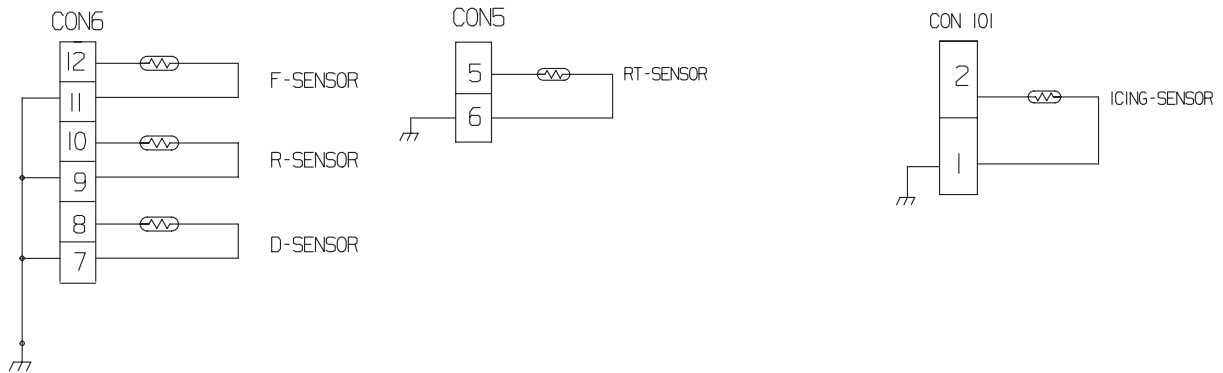
| | |
|-----------|------------------|
| | Pin4 & 5 of con4 |
| MOTOR OFF | 2V or less |
| MOTOR ON | 13V~15V |

3. Open Door Detection Circuit Check



| Measurement Location | Pin 10 & 11 of con4 Ref.Door Pin 5 & 6 of con6 Fre.Door |
|----------------------|--|
| Closed | 0 V |
| Open | 5 V |

8-2-3 Temperature Sensor Circuit



| TEMPERATURE | RESISTANCE OF FREEZER/Icing SENSOR | RESISTANCE OF REFRIGERATOR & DEFROST SENSOR & ROOM SENSOR |
|------------------|------------------------------------|---|
| - 20 °C (-4 °F) | 22.3 KΩ | 77 KΩ |
| - 15 °C (5 °F) | 16.9 KΩ | 60 KΩ |
| - 10 °C (14 °F) | 13.0 KΩ | 47.3 KΩ |
| - 5 °C (23 °F) | 10.1 KΩ | 38.4 KΩ |
| 0 °C (32 °F) | 7.8 KΩ | 30 KΩ |
| + 5 °C (41 °F) | 6.2 KΩ | 24.1 KΩ |
| + 10 °C (50 °F) | 4.9 KΩ | 19.5 KΩ |
| + 15 °C (59 °F) | 3.9 KΩ | 15.9 KΩ |
| + 20 °C (68 °F) | 3.1 KΩ | 13 KΩ |
| + 25 °C (77 °F) | 2.5 KΩ | 11 KΩ |
| + 30 °C (86 °F) | 2.0 KΩ | 8.9 KΩ |
| + 40 °C (104 °F) | 1.4 KΩ | 6.2 KΩ |
| + 50 °C (122 °F) | 0.8 KΩ | 4.3 KΩ |

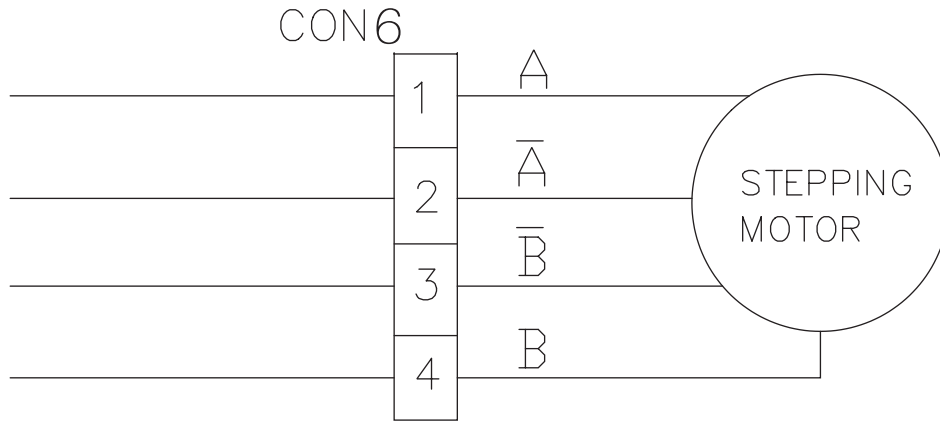
- The resistance of the SENSOR has a ±5% common difference.
- Measure the resistance of the SENSOR after leaving it for over 3 minutes in the measuring temperature. This delay is necessary due to sensor response speed.

8-2-4 Refrigeration Compartment Stepping Motor Damper Circuit

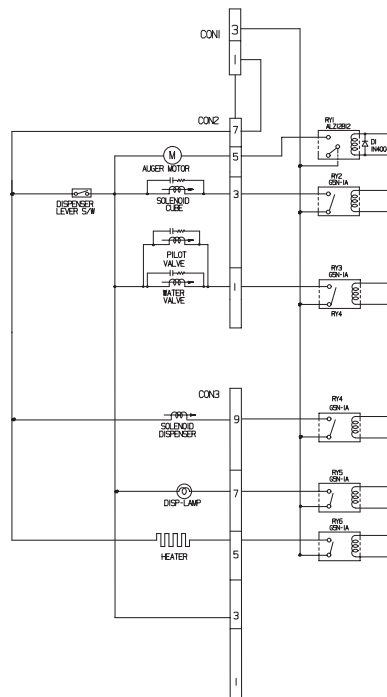
A reversible DC motor is used to open and close the damper.

To open the damper, push test button once.

To close the damper, push test button twice.



8-2-5 Dispenser Drive Circuit



| Circuit | Pin Number | Pin Number | Output Voltage |
|--------------------|------------|------------|----------------|
| Auger Motor | Con2 Pin5 | Con2 Pin7 | 115 VAC |
| Solenoid Cube | Con2 Pin3 | Con2 Pin7 | 115 VAC |
| Pilot/ Water Valve | Con2 Pin1 | Con2 Pin7 | 115 VAC |
| Solenoid Dispenser | Con3 Pin9 | Con3 Pin3 | 115 VAC |
| Dispenser Lamp | Con3 Pin7 | Con3 Pin3 | 115 VAC |
| Heater | Con3 Pin5 | Con3 Pin3 | 115 VAC |

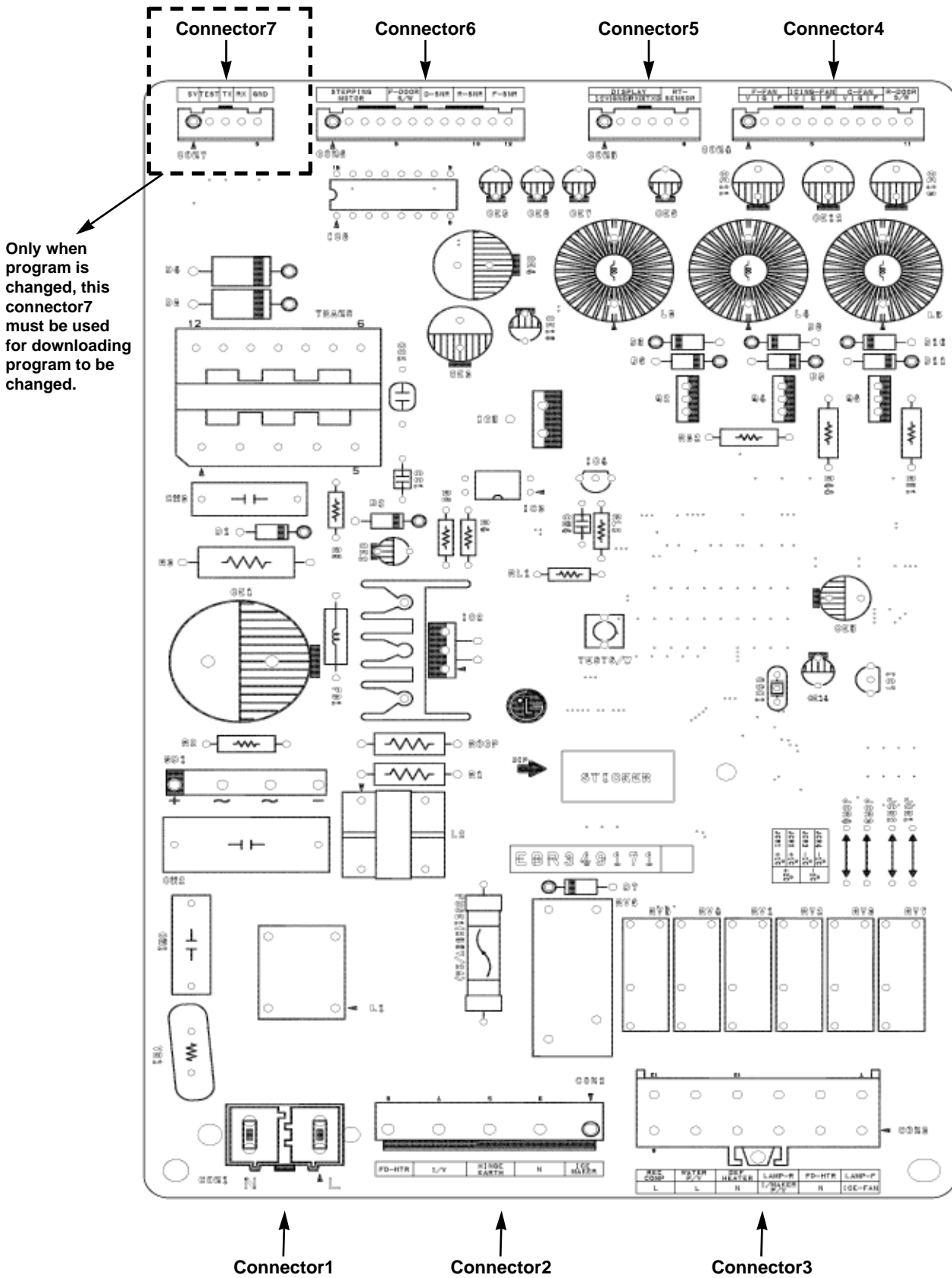
8-3 TROUBLESHOOTING

| PROBLEM | INDICATED BY | CHECK | CHECKING METHOD | CAUSE | SOLUTION |
|-----------------------|----------------------------------|--|---|--|---|
| POWER SOURCE is poor. | 1. The whole | 1. FREEZER/ REFRIGERATOR. | Check if FREEZER/REFRIGERATOR DOOR IS OPEN and check display. | POWER SOURCE is poor. | Replace Main PWB |
| | | 2. If LAMP is dim. | Check visually. | Applied voltage error. | Replace Main PWB |
| | 2. DISPLAY LED | 3. The connection of the MAIN PWB CONNECTOR. | Check connection of CONNECTOR. | CONNECTOR connection is poor. | Reconnect CONNECTOR |
| | | | | TRANS FUSE is open. | Replace Main PWB |
| COOLING is poor. | NO COOLING. | 1. If the COMPRESSOR operate. | USE TEST MODE1 (forced COOLING). If less than 7 minutes pass after compressor shuts off, don't press the KEY and wait. | COMPRESSOR locked or blocked. | Replace OLP, PTC. |
| | | | | OLP, PTC is poor. COMPRESSOR RELAY is poor. | Replace MAIN PWB. |
| | | | | THE CONNECTING WIRE is poor. | Check the connection of the black wire of the MAIN PWB CONNECTOR (CON3). |
| | | 2. If refrigerant is leaking. | Measure the amount of frost sticking on EVAPORATOR and the surface temperature of the condenser pipe. | Refrigerant leakage. | Replace the leaking part and replace any lost refrigerant. |
| | FREEZER TEMPERATURE is incorrect | 1. If FAN MOTOR operates. | USE TEST MODE1 (forced COOLING). | FAN MOTOR is poor. | Replace the FAN MOTOR. |
| | | | | CONNECTING WIRE is poor. | Certify the MOTOR and the connection of the wire of the MAIN PWB CONNECTOR (CON4). See DEFROSTING is poor. |
| | | 2. If DEFROSTING is normal. | Check the amount of frost sticking on the EVAPORATOR . | DEFROSTING is poor. | Replace SENSOR. |
| | | 3. If SENSOR is normal. | of the Refrigerator SENSOR. | SENSOR RESISTANCE is poor. | Replace door liner. |
| | | 4. Door Line contact. | Check the seal when the door is closed. | Door liner damaged. | |
| | | | | | |

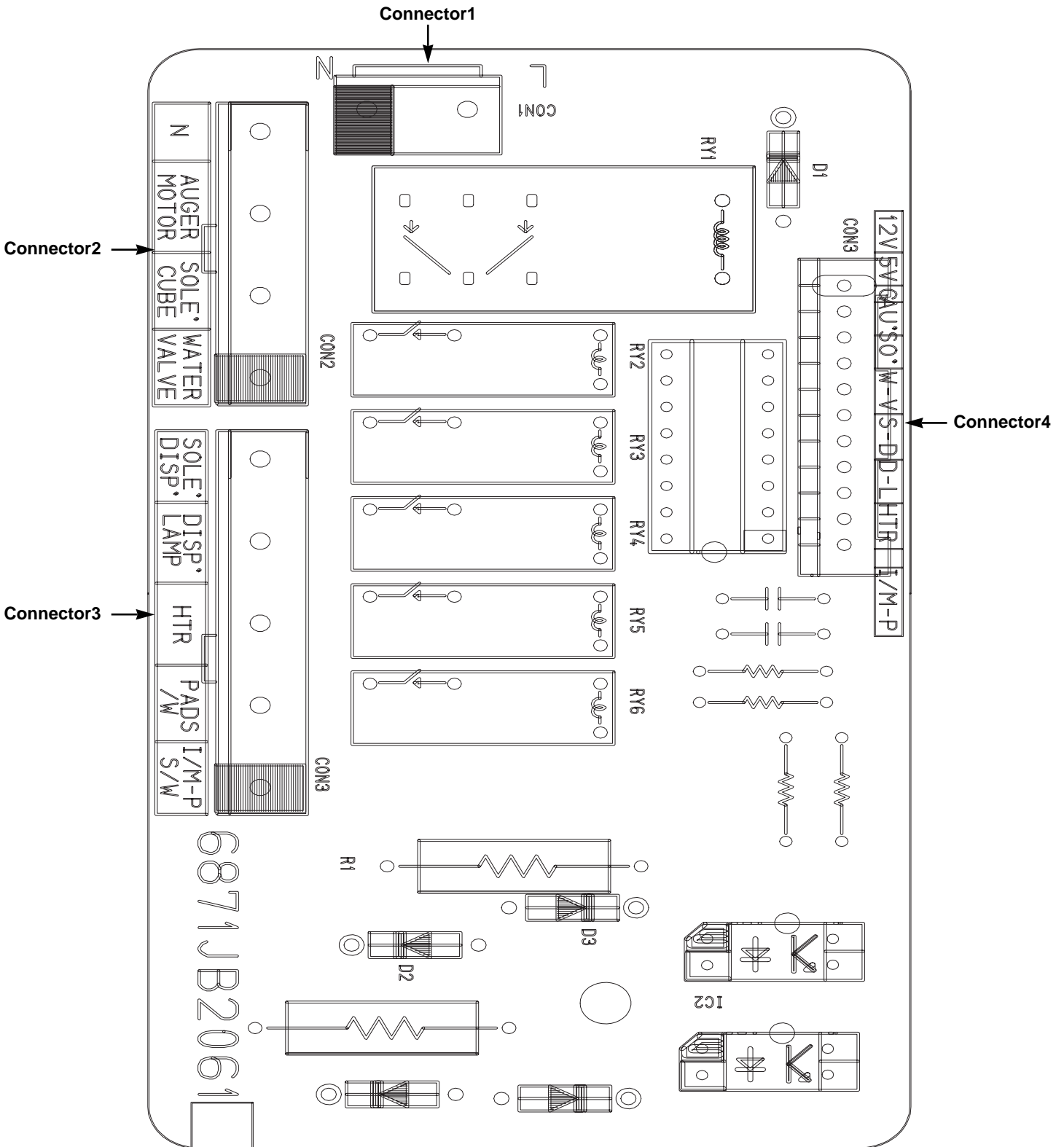
| PROBLEM | INDICATED BY | CHECK | CHECKING METHOD | CAUSE | SOLUTION |
|-------------------------------------|---|--|--|---------------------------------|---|
| COOLING is poor. | If REFRIGERATOR TEMPERATURE is too low. | 1. If FREEZER TEMPERATURE is normal. | Check is FREEZER TEMPERATURE is too low. | | Make sure the DOOR is attached. |
| | | 2. If amount of cool air from FAN MOTOR is sufficient. | Make sure that the amount and speed of cool air are sufficient by touching the check supplied on the REFRIGERATOR. | FAN MOTOR is poor. | Replace FAN MOTOR. |
| | | | | Passage of cool air is blocked. | Remove impurities. |
| | | | | EVA frozen. | See DEFROSTING is poor. |
| 3. Door Line contact. | Check door seal when door is closed. | Door liner damaged. | Replace Door liner. | | |
| DEFROSTING is poor. | NO DEFROSTING. | 1. If HEATER emits heat. | USE TEST MODE3 (forced DEFROSTING). | HEATER disconnection. | Replace HEATER. |
| | | | | TEMPERATURE FUSE disconnection. | Replace TEMPERATURE FUSE. |
| | | | | Connection is poor. | Check EVAPORATOR connection and wire of MAIN PWB CONNECTOR. |
| | | | | DEFROST-SENSOR is poor. | Replace DEFROST-SENSOR. |
| | | | | HEATER RELAY is poor. | Replace RY4 of MAIN PWB. |
| | | 2. If DRAIN PIPE is blocked. | Check DRAIN PIPE. | DRAIN PIPE is blocked. | Remove ice and impurities. |
| | | | | | Check HEATER PLATE resistance. |
| 3. If ice remains after DEFROSTING. | Make sure that DEFROST SENSOR is connected. | Connection is poor. | Reassemble the DEFROST-SENSOR. | | |
| | | | Make sure that FREEZER /REFRIGERATOR DOOR is closed. | DOOR does not close properly. | Reassemble DOOR. Replace GASKET. |

8-4 MAIN PWB ASSEMBLY AND PARTS LIST

8-4-1 Main PWB Assembly



8-4-2 Dispenser Drive PWB Assembly





**REPAIR
PARTS
LIST**

MODELS No.

795.78502800
795.78503800
795.78506800
795.78509800
795.78512800
795.78513800
795.78516800
795.78519800

The model number of your refrigerator is found on the serial plate inside.

All repair parts listed are available for immediate purchase or special order when you visit your nearest Sears Service Center, or the Service Department at most Sears stores. To order parts by phone, call the toll free parts number listed to the left.

When requesting service or ordering parts, always provide the following information:

- Product Type • Part Number
- Model Number • Part Description

To call
Toll Free
For Parts:

1-800-366-PART
(1-800-366-7278)

For Service:

1-800-4-MY-HOME
(1-800-469-4663)

Last Revision: March. 10. 2008

Sears, Roebuck and Co., Hoffman Estates, IL 60179 U.S.A.

Get it fixed, at your home or ours!

Your Home

For repair—in your home—of all major brand appliances, lawn and garden equipment, or heating and cooling systems, **no matter who made it, no matter who sold it!**

For the replacement parts, accessories and owner's manuals that you need to do-it-yourself.

For Sears professional installation of home appliances and items like garage door openers and water heaters.

1-800-4-MY-HOME® (1-800-469-4663)

Call anytime, day or night (U.S.A. and Canada)

www.sears.com www.sears.ca

Our Home

For repair of carry-in items like vacuums, lawn equipment, and electronics, call or go on-line for the location of your nearest

Sears Parts & Repair Center.

1-800-488-1222

Call anytime, day or night (U.S.A. only)

www.sears.com

To purchase a protection agreement (U.S.A.) or maintenance agreement (Canada) on a product serviced by Sears:

1-800-827-6655 (U.S.A.)

1-800-361-6665 (Canada)

Para pedir servicio de reparación a domicilio, y para ordenar piezas:

1-888-SU-HOGARSM
(1-888-784-6427)

Au Canada pour service en français:

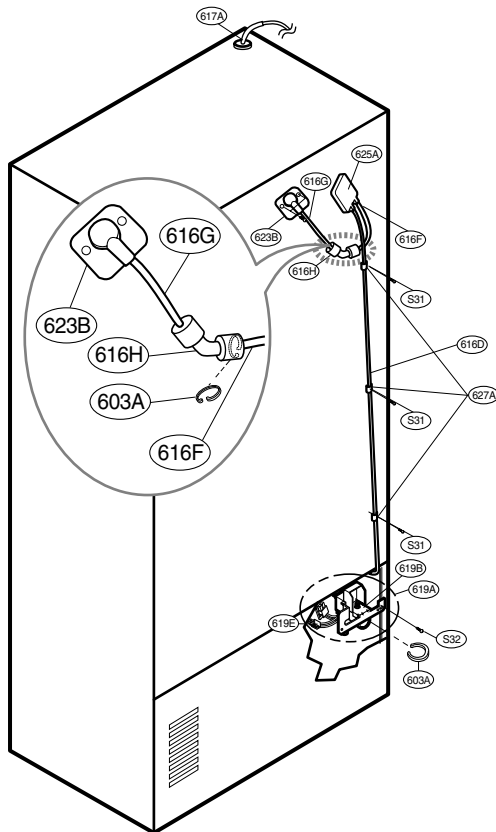
1-800-LE-FOYERSM
(1-888-533-6937)
www.sears.ca



® Registered Trademark /™ Trademark /SM Service Mark of Sears, Roebuck and Co.
® Marca Registrada /™ Marca de Fábrica /SM Marca de Servicio de Sears, Roebuck and Co.
**Marque de commerce /No Marque déposée de Sears, Roebuck and Co.

© Sears, Roebuck and Co.

VALVE & WATER TUBE PARTS

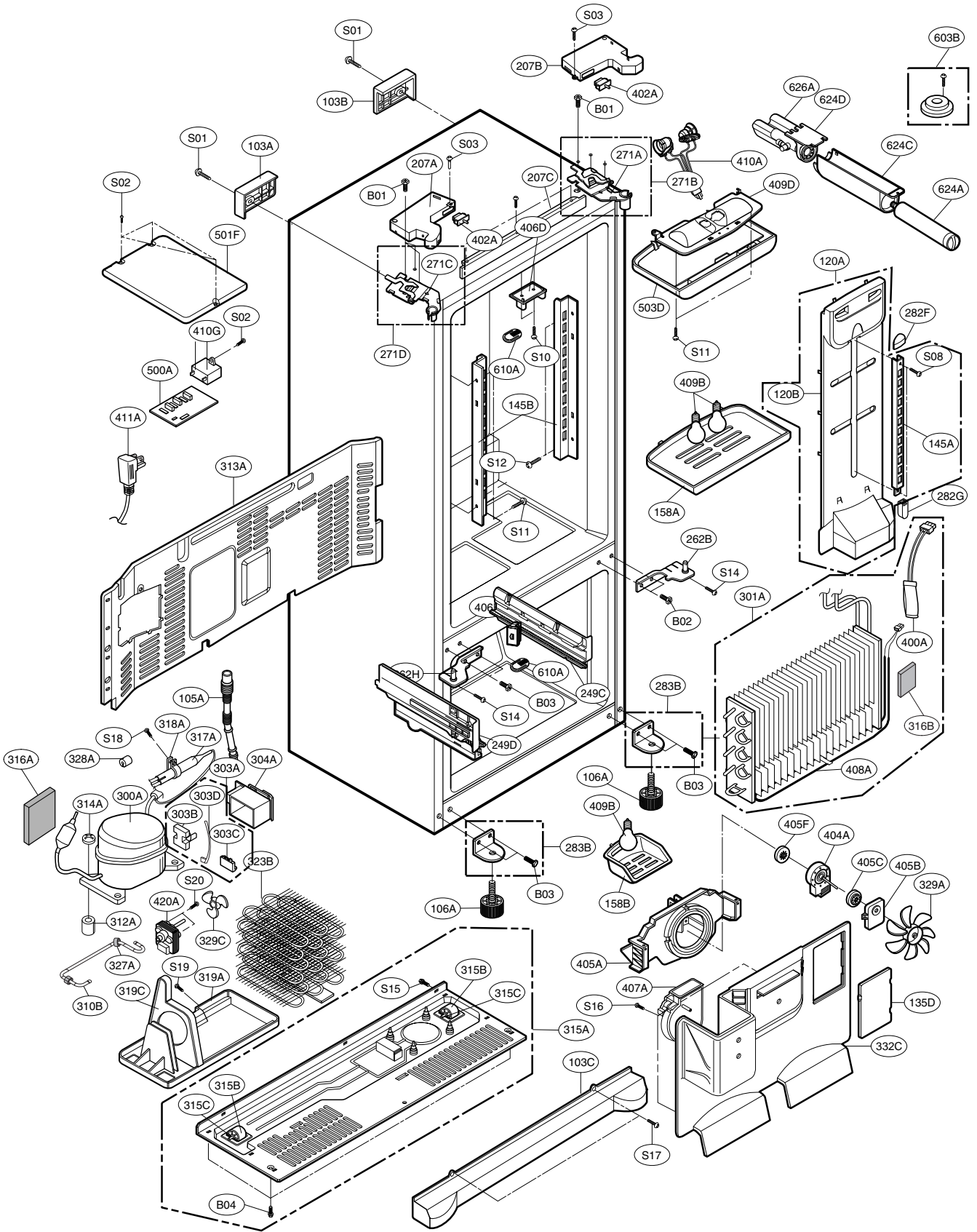


| LOC No. | 775** | Description |
|---------|-------------|-------------------|
| 603A | 4004JA3002A | Clip |
| 603D | 4930JA3091A | Holder, Bracket |
| 616D | 5210JA3005L | Tube, Plastic |
| 616F | 5210JA3004U | Tube, Plastic |
| 616G | 5210JA3005W | Tube, Plastic |
| 616H | 4932JA3009A | Connector, Tube |
| 617A | 4970JA3004N | Spring |
| 619A | 5220JB2009A | Valve, Water |
| 619B | 5220JB2008A | Valve, Water |
| 619E | 6877JB3036K | Drawing, Assembly |
| 619E | 6877JB3036M | Drawing, Assembly |
| 623B | 5006JJ2009A | Cap, Cover |
| 625A | 3550JA2184B | Cover, Tube |
| 627A | 4930JA3054A | Holder, Pipe S31 |
| S31 | 4J00415D | Screw, Customized |
| S32 | 4000W4A003A | Screw, Customized |

CAUTION: Use the part number to order part, not the location number.

CASE PARTS

CAUTION: Use the part number to order part, not the position number.



CASE PARTS

| Loc No. | 785*3(ST) | 785*2(SW) | 785*9(WB) | 785*6(TI) | Description |
|---------|-------------|-------------|---------------|-----------------|---------------------------------|
| 103A | 3650JA2061X | 3650JA2061B | 3650JA2113N | 3650JA2061X | Handle, Rear |
| 103B | 3650JA2061W | 3650JA2061 | A 3650JA2113P | 3650JA2061W | Handle, Rear |
| 103C | 3550JJ0008L | 3550JJ0008A | 3550JJ0008C | 3550JJ0008L | Cover, Lower |
| 105A | 5251JA3003D | 5251JA3003D | 5251JA3003D | 5251JA3003D | Tube Assembly, Drain |
| 106A | 4779JJ2001B | 4779JJ2001B | 4779JJ2001B | 4779JJ2001B Leg | Leg Assembly, Adjust |
| 120B | 5208JA1156A | 5208JA1156A | 5208JA1156A | 5208JA1156A | Duct, Multi |
| 135D | 3551JJ2028A | 3551JJ2028A | 3551JJ2028A | 3551JJ2028A | Cover Assembly, Grille Fan |
| 145A | 4930JA2080C | 4930JA2080C | 4930JA2080C | 4930JA2080C | Holder, Shelf |
| 145B | 4930JA2081C | 4930JA2081C | 4930JA2081C | 4930JA2081C | Holder, Shelf |
| 158A | 3550JJ1070B | 3550JJ1070B | 3550JJ1070B | 3550JJ1070B | Cover, Lamp |
| 158B | 3550JA1386B | 3550JA1386B | 3550JA1386B | 3550JA1386B | Cover, Lamp |
| 207A | 3550JJ1097Q | 3550JJ1097A | 3550JJ1097E | 3550JJ1097Q | Cover, Hinge |
| 207B | 3550JJ1097R | 3550JJ1097B | 3550JJ1097F | 3550JJ1097R | Cover, Hinge |
| 207C | 3806JA2146E | 3806JA2146A | 3806JA2146C | 3806JA2146E | Decor Assembly, Case |
| 249C | MEG41697601 | MEG41697601 | MEG41697601 | MEG41697601 | Holder, Rail |
| 249D | MEG41697602 | MEG41697602 | MEG41697602 | MEG41697602 | Holder, Rail |
| 262B | AEH33724102 | 4775JJ2017B | 4775JJ2017F | AEH33724102 | Hinge Assembly, Center |
| 262H | AEH33724104 | 4775JJ2017D | 4775JJ2017H | AEH33724104 | Hinge Assembly, Center |
| 271C | 4775JJ2014B | 4775JJ2014B | 4775JJ2014B | 4775JJ2014B | Hinge Assembly, Upper |
| 271B | 4510JA3004A | 4510JA3004A | 4510JA3004A | 4510JA3004A | Lever, Hinge |
| 271A | 4775JJ2014A | 4775JJ2014A | 4775JJ2014A | 4775JJ2014A | Hinge Assembly, Upper |
| 282F | 3806JL1037G | 3806JL1037G | 3806JL1037G | 3806JL1037G | Decor, Duct |
| 282G | 5006JA3111A | 5006JA3111A | 5006JA3111A | 5006JA3111A | Cap, Duct |
| 283B | 4774JJ3002A | 4774JJ3002A | 4774JJ3002A | 4774JJ3002A | Hinge, Lower |
| 300A | TCA31748001 | TCA31748001 | TCA31748001 | TCA31748001 | Compressor, Set Assembly |
| 301A | 5421JJ1003B | 5421JJ1003B | 5421JJ1003B | 5421JJ1003B | Evaporator Assembly |
| 303A | EBG31940225 | EBG31940225 | EBG31940225 | EBG31940225 | Thermistor Assembly, PTC |
| 303B | 6748C-0004D | 6748C-0004D | 6748C-0004D | 6748C-0004D | Thermistor Assembly, PTC |
| 303C | 6750C-0004R | 6750C-0004R | 6750C-0004R | 6750C-0004R | Overload Protect |
| 303D | 6877JB2051F | 6877JB2051F | 6877JB2051F | 6877JB2051F | Drawing, Assembly |
| 304A | 3550JA2042C | 3550JA2042C | 3550JA2042C | 3550JA2042C | Cover, PTC |
| 310B | 4J00977P | 4J00977P | 4J00977P | 4J00977P | Pipe, Compressor Sealing |
| 312A | 5040JA3071A | 5040JA3071A | 5040JA3071A | 5040JA3071A | Damper, Compressor |
| 313A | 3551JJ2018A | 3551JJ2018A | 3551JJ2018A | 3551JJ2018A | Cover Assembly, Machinery(Rear) |
| 314A | 4620JA3015A | 4620JA3015A | 4620JA3015A | 4620JA3015A | Stopper, Compressor |
| 315A | 3103JJ1001H | 3103JJ1001H | 3103JJ1001H | 3103JJ1001H | Base Assembly, Compressor |
| 315B | 4580JJ3001A | 4580JJ3001A | 4580JJ3001A | 4580JJ3001A | Roller |
| 315C | 1PZZJA3013B | 1PZZJA3013B | 1PZZJA3013B | 1PZZJA3013B | Pin, Common |
| 316A | 5072JA3003F | 5072JA3003F | 5072JA3003F | 5072JA3003F | Damper, Noise |
| 316B | 5072JA3003B | 5072JA3003B | 5072JA3003B | 5072JA3003B | Damper, Noise |
| 317A | 5851JA2008U | 5851JA2008U | 5851JA2008U | 5851JA2008U | Drier Assembly |
| 318A | 4930JA3034A | 4930JA3034A | 4930JA3034A | 4930JA3034A | Holder, Drier |
| 319A | MJS37355401 | MJS37355401 | MJS37355401 | MJS37355401 | Tray, Drip |
| 319C | MEA42257901 | MEA42257901 | MEA42257901 | MEA42257901 | Guide, Fan |
| 323B | ACG36653801 | ACG36653801 | ACG36653801 | ACG36653801 | Condenser Assembly, Wire |
| 327A | 4J03020A | 5040JA3056A | 5040JA3056A | 5040JA3056A | Damper, Pipe |
| 329A | 5901JA1021A | 5901JA1021A | 5901JA1021A | 5901JA1021A | Fan Assembly |
| 329C | ADP36665701 | ADP36665701 | ADP36665701 | ADP36665701 | Fan Assembly |
| 332C | AEB34270102 | AEB34270102 | AEB34270102 | AEB34270102 | Grille Assembly, Fan |
| 400A | 6615JB2005H | 6615JB2005H | 6615JB2005H | 6615JB2005H | Controller Assembly |
| 402A | 6600JB3007B | 6600JB3007A | 6600JB3007E | 6600JB3007B | Switch, Push Button |
| 402C | 6600JB3001E | 6600JB3001E | 6600JB3001E | 6600JB3001E | Switch, Micro |
| 404A | 4681JK1004E | 4681JK1004E | 4681JK1004E | 4681JK1004E | Motor, DC |
| 405B | 4810JJ2005A | 4810JJ2005A | 4810JJ2005A | 4810JJ2005A | Bracket, Motor |
| 405C | 5040JA2009B | 5040JA2009B | 5040JA2009B | 5040JA2009B | Damper, Motor Support |
| 405F | 5040JA2004B | 5040JA2004B | 5040JA2004B | 5040JA2004B | Damper, Motor Support |
| 406B | 6600JB1010A | 6600JB1010A | 6600JB1010A | 6600JB1010A | Switch, Push Button |

CAUTION: Use the part number to order part, not the position number.

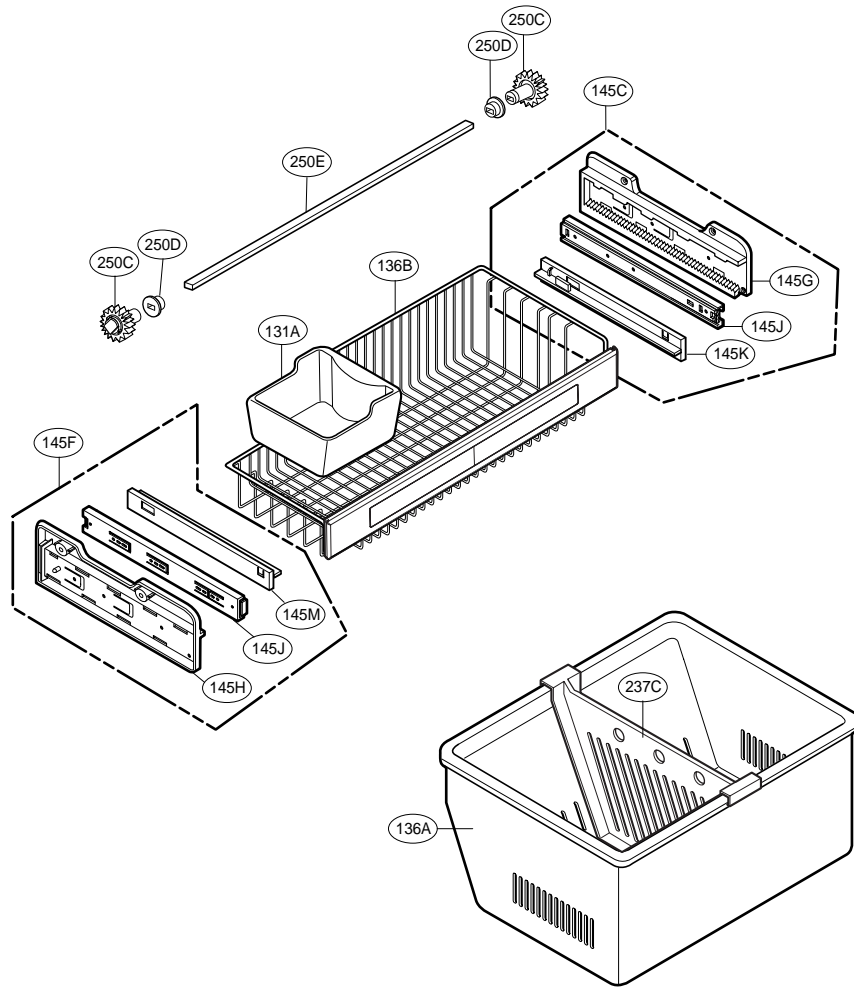
CASE PARTS

| LOC No. | 785*3(ST) | 785*2(SW) | 785*9(WB) | 755*6(I) | Description |
|---------|-------------|-------------|-------------|-------------|--|
| 406D | 4931JA3006A | 4931JA3006A | 4931JA3006A | 4931JA3006A | Holder Assembly, Gasket |
| 407A | 5209JA1044A | 5209JA1044A | 5209JA1044A | 5209JA1044A | Duct Assembly, Connector |
| 407B | 4810JJ0003A | 4810JJ0003A | 4810JJ0003A | 4810JJ0003A | Bracket, Motor |
| 408A | 5300JK1005D | 5300JK1005D | 5300JK1005D | 5300JK1005D | Heater, Sheath |
| 409B | 6912JB2004K | 6912JB2004K | 6912JB2004K | 6912JB2004K | Lamp, Incandescent |
| 409D | 3034JA1009A | 3034JA1009A | 3034JA1009A | 3034JA1009A | Reflector, Lamp |
| 410A | 6621JK2003B | 6621JK2003B | 6621JK2003B | 6621JK2003B | Drawing, Assembly |
| 410G | 0CZZJB2012K | 0CZZJB2012K | 0CZZJB2012K | 0CZZJB2012K | Capacitor, Electric Appliance Film,Box |
| 411A | 6411JB1042L | 6411JB1042L | 6411JB1042L | 6411JB1042L | Power Cord Assembly |
| 420A | 4681JB1029D | 4681JB1029D | 4681JB1029D | 4681JB1029D | DC Motor Assembly |
| 500A | EBR41956403 | 6871JB1411J | 6871JB1411J | 6871JB1411J | PCB Assembly |
| 501F | 3551JA2144C | 3551JA2144C | 3551JA2144C | 3551JA2144C | Cover Assembly, PCB |
| 503D | 3110JJ1014A | 3110JJ1014A | 3110JJ1014A | 3110JJ1014A | Case, Lamp |
| 603B | 4930JA3091A | 4930JA3091A | 4930JA3091A | 4930JA3091A | Holder, Bracket |
| 610A | 3550JA2247A | 3550JA2247A | 3550JA2247A | 3550JA2247A | Cover, Sensor |
| 624A | 5231JA2006A | 5231JA2006A | 5231JA2006A | 5231JA2006A | Filter Assembly, Water |
| 624C | 3550JD1128D | 3550JD1128D | 3550JD1128D | 3550JD1128D | Cover, Filter |
| 624D | 5230JA2003A | 5230JA2003A | 5230JA2003A | 5230JA2003A | Filter, Head |
| 626A | 3550JA2279A | 3550JA2279A | 3550JA2279A | 3550JA2279A | Cover, Filter |
| B02 | 1STZJA3004Q | 1STZJA3004Q | 1STZJA3004D | 1STZJA3004Q | Screw, Customzied |
| B03 | 1STZJA3004F | 1STZJA3004F | 1STZJA3004F | 1STZJA3004F | Screw, Customzied |
| B04 | 1BZZJA2002A | 1BZZJA2002A | 1BZZJA2002A | 1BZZJA2002A | Bolt, Common |
| S01 | 4J00415D | 4J00415D | 4J00415D | 4J00415D | Screw, Customzied |
| S02 | 4J00415D | 4J00415D | 4J00415D | 4J00415D | Screw, Customzied |
| S03 | 4J01424B | 4J01424B | 4J01424B | 4J01424B | Screw, Customzied |
| S08 | 1SZZJJ3005E | 1SZZJJ3005E | 1SZZJJ3005E | 1SZZJJ3005E | Screw, Customzied |
| S09 | 4J00415D | 4J00415D | 4J00415D | 4J00415D | Screw, Customzied |
| S10 | 1SBZJA3004L | 1SBZJA3004L | 1SBZJA3004L | 1SBZJA3004L | Screw, Customzied |
| S11 | 3J05696W | 3J05696W | 3J05696W | 3J05696W | Screw, Customzied |
| S13 | 1SZZJJ3005E | 1SZZJJ3005E | 1SZZJJ3005E | 1SZZJJ3005E | Screw, Customzied |
| S14 | 1SZZJJ3010D | 1SZZJJ3010D | 1SZZJJ3010B | 1SZZJJ3010D | Screw, Customzied |
| S15 | 4000W4A003A | 4000W4A003A | 4000W4A003A | 4000W4A003A | Screw, Customzied |
| S16 | 3J05696W | 3J05696W | 3J05696W | 3J05696W | Screw, Customzied |
| S17 | 1SZZJA3005H | 1SZZJA3005H | 1SZZJA3005H | 1SZZJA3005H | Screw, Customzied |
| S18 | 4J00415D | 4J00415D | 4J00415D | 4J00415D | Screw, Customzied |
| S19 | 4J00415D | 4J00415D | 4J00415D | 4J00415D | Screw, Customzied |
| S20 | 1SZZJA3016A | 1SZZJA3016A | 1SZZJA3016A | 1SZZJA3016A | Screw, Customzied |

CAUTION: Use the part number to order part, not the position number.

FREEZER PARTS

CAUTION: Use the part number to order part, not the position number.

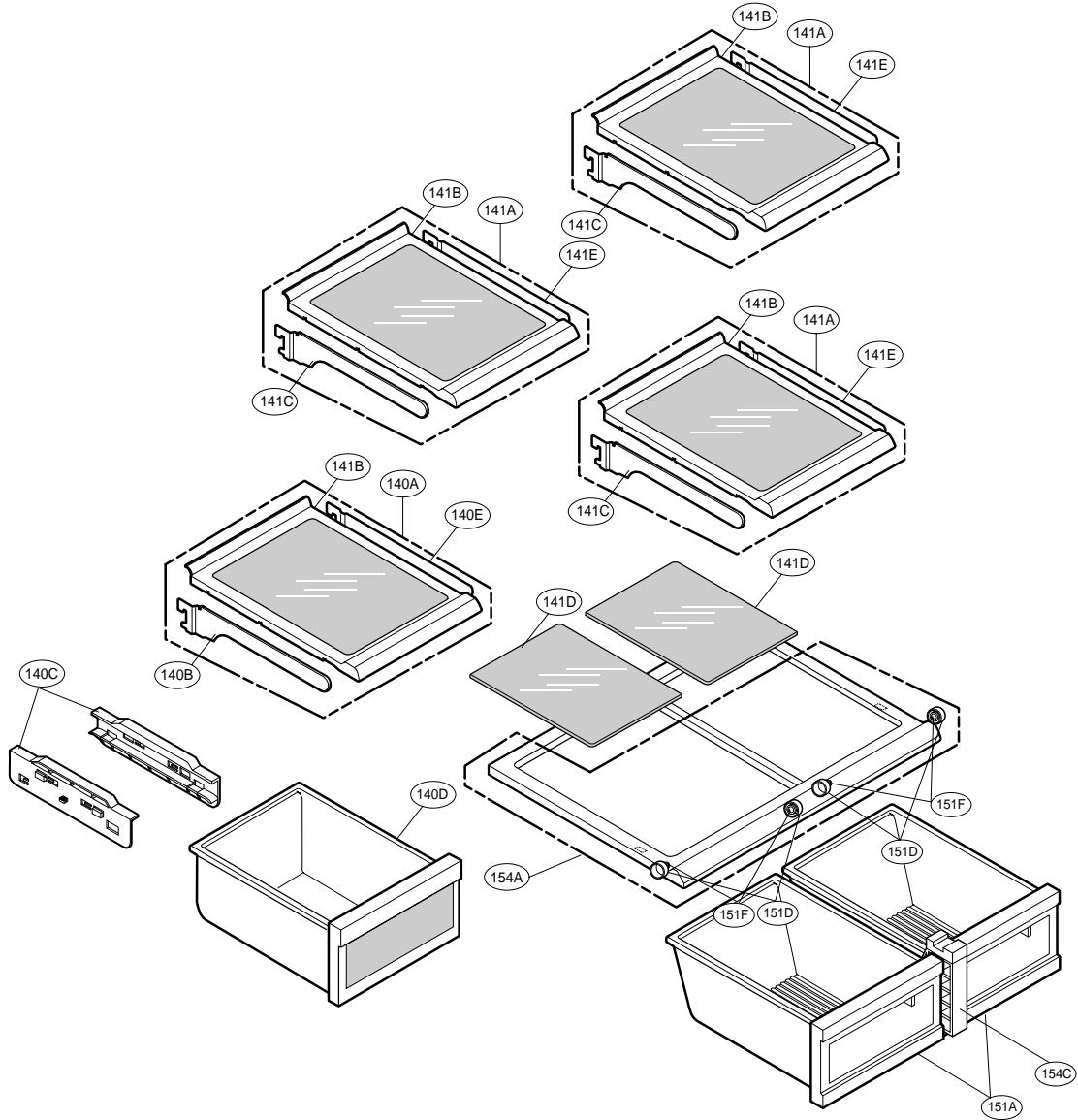


| LOC No. | 785*3(ST) | 785*2(SW) | 785*9(WB) | 785*6(TI) | Description |
|---------|-------------|-------------|-------------|-------------|-----------------------|
| 131A | 5074JA2004A | 5074JA2004A | 5074JA2004A | 5074JA2004A | Bucket, Ice |
| 136A | 3390JJ1072A | 3390JJ1072A | 3390JJ1072A | 3390JJ1072A | Tray, Drawer |
| 136B | 3391JA2054M | 3391JA2054M | 3391JA2054M | 3391JA2054M | Tray Assembly, Drawer |
| 145C | 4975JA1040B | 4975JA1040B | 4975JA1040B | 4975JA1040B | Guide Assembly, Rail |
| 145F | 4975JA1040A | 4975JA1040A | 4975JA1040A | 4975JA1040A | Guide Assembly, Rail |
| 237C | 4974JJ1031A | 4974JJ1031A | 4974JJ1031A | 4974JJ1031A | Guide, Drawer |
| 250C | 4470JA2008A | 4470JA2008A | 4470JA2008A | 4470JA2008A | Gear, Ice |
| 250D | 5006JA2069A | 5006JA2069A | 5006JA2069A | 5006JA2069A | Cap, Cover |
| 250E | MAK36519001 | MAK36519001 | MAK36519001 | MAK36519001 | Bar |

CAUTION: Use the part number to order part, not the position number.

REFRIGERATOR PARTS

CAUTION: Use the part number to order part, not the position number.



| LOC No. | 785*3(ST) | 785*2(SW) | 785*9(WB) | 785*6(TI) | Description |
|---------|-------------|-------------|-------------|-------------|------------------------------|
| 140A | AHT33055806 | AHT33055806 | AHT33055806 | AHT33055806 | Shelf Assembly, Refrigerator |
| 140B | 5026JJ2012C | 5026JJ2012C | 5026JJ2012C | 5026JJ2012C | Shelf, Net |
| 140C | 4975JA2028A | 4975JA2028A | 4975JA2028A | 4975JA2028A | Guide Assembly, Rail |
| 140D | AHT33056304 | AHT33056304 | AHT33056304 | AHT33056304 | Shelf Assembly, Refrigerator |
| 141A | AHT33055805 | AHT33055805 | AHT33055805 | AHT33055805 | Shelf Assembly, Refrigerator |
| 141B | MHL47278101 | MHL47278101 | MHL47278101 | MHL47278101 | Shelf, Refrigerator |
| 141C | 5026JA2052B | 5026JA2052B | 5026JA2052B | 5026JA2052B | Shelf, Net |
| 141D | MCK49483302 | MCK49483302 | MCK49483302 | MCK49483302 | Cover, Glass |
| 151A | AJP32871402 | AJP32871402 | AJP32871402 | AJP32871402 | Tray Assembly, Vegetable |
| 151C | 1SZZJA3011B | 1SZZJA3011B | 1SZZJA3011B | 1SZZJA3011B | Screw, Customized |
| 151D | 4580JA3042A | 4580JA3042A | 4580JA3042A | 4580JA3042A | Roller |
| 151F | 1SZZJA3011B | 1SZZJA3011B | 1SZZJA3011B | 1SZZJA3011B | Screw, Customized |
| 154A | 3551JJ2020G | 3551JJ2020H | 3551JJ2020H | 3551JJ2020H | Cover Assembly, TV |
| 154C | 4980JA2092A | 4980JA2092A | 4980JA2092A | 4980JA2092A | Supporter, Cover TV |

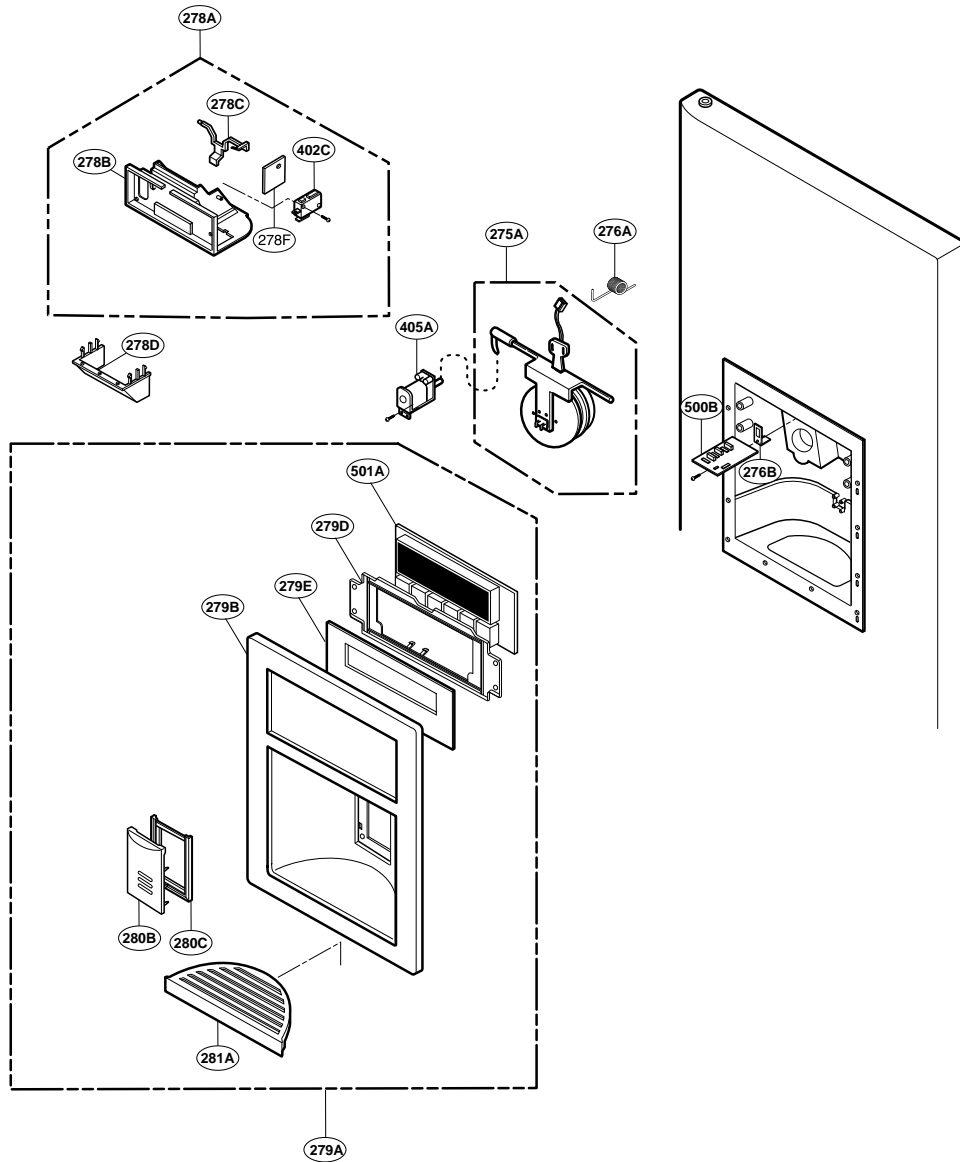
CAUTION: Use the part number to order part, not the position number.

DOOR PARTS

| LOCNo. | 785*3(ST) | 785*2(SW) | 785*9(WB) | 785*6(TI) | Description |
|--------|-------------|-------------|-------------|-------------|------------------------------------|
| 147A | 5074JJ1016A | 5074JJ1016A | 5074JJ1016A | 5074JJ1016A | Bucket, Dairy |
| 147C | 3550JJ1084A | 3550JJ1084A | 3550JJ1084A | 3550JJ1084A | Cover, Bucket |
| 200A | ADC55707302 | ADC55707304 | ADC55707305 | ADC55707303 | Door Assembly, Freezer |
| 201A | 5433JA8558K | ADD55708302 | 5433JA8558L | ADD57015501 | Door Foam Assembly, Freezer |
| 203A | MDS38201406 | MDS38201401 | MDS38201402 | MDS38201406 | Gasket, Door |
| 205A | 5004JJ1061B | 5004JJ1061B | 5004JJ1061B | 5004JJ1061B | Basket, Door |
| 205B | 5004JA2017A | 5004JA2017A | 5004JA2017A | 5004JA2017A | Basket, Tilt |
| 205C | 5004JA2017B | 5004JA2017B | 5004JA2017B | 5004JA2017B | Basket, Tilt |
| 212D | AED37133505 | AED37133507 | AED37133506 | AED37133505 | Handle Assembly, Freezer |
| 212G | 4140JD1031A | 4140JD1031A | 4140JD1031A | 4140JD1031A | Name Plate |
| 230A | ADC57016101 | ADC57016901 | ADC57016902 | ADC57016801 | Door Assembly, Refrigerator(Right) |
| 231A | ADD57016001 | ADD57017101 | ADD57017102 | ADD57017001 | Door Foam Assembly, Refrigerator |
| 230B | ADC57016301 | ADC57017301 | ADC57017302 | ADC57017201 | Door Assembly, Refrigerator(Left) |
| 231B | ADD57016201 | ADD57017501 | ADD57017502 | ADD57017401 | Door Foam Assembly, Refrigerator |
| 233A | 4987JJ2002E | 4987JJ2002A | 4987JJ2002C | 4987JJ2002E | Gasket Assembly, Door |
| 233B | 4987JJ1005F | 4987JJ2002B | 4987JJ2002D | 4987JJ2002F | Gasket Assembly, Door |
| 233C | 3551JJ2030B | 3551JJ2030A | 3551JJ2030A | 3551JJ2030B | Cover Assembly, Front |
| 233D | 3551JJ2030A | 3551JJ2030B | 3551JJ2030B | 3551JJ2030A | Cover Assembly, Front |
| 234A | 4430JJ2004A | 4430JJ2004A | 4430JJ2004A | 4430JJ2004A | Cam, Shaft |
| 234C | 4931JJ2002E | 4931JJ2002A | 4931JJ2002C | 4931JJ2002E | Holder Assembly, Gasket |
| 234D | 4931JJ2002F | 4931JJ2002B | 4931JJ2002D | 4931JJ2002F | Holder Assembly, Gasket |
| 234B | 4430JJ2004B | 4430JJ2004B | 4430JJ2004B | 4430JJ2004B | Cam, Shaft |
| 241A | AAP33686304 | AAP33686304 | AAP33686304 | AAP33686304 | Basket Assembly, Door |
| 241B | MAN39723203 | MAN39723203 | MAN39723203 | MAN39723203 | Basket, Window |
| 241C | MAN38142901 | MAN38142901 | MAN38142901 | MAN38142901 | Basket, Door |
| 241D | AAP36817401 | AAP36817401 | AAP36817401 | AAP36817401 | problem in part no |
| 241F | AAP36817601 | AAP36817601 | AAP36817601 | AAP36817601 | Basket Assembly, Door |
| 241G | AAP33726608 | AAP33726608 | AAP33726608 | AAP33726608 | Basket Assembly, Door |
| 243A | 4620JJ3006D | 4620JJ3006A | 4620JJ3006C | 4620JJ3006D | Stopper, Door |
| 243B | 4620JJ2009A | 4620JJ2009A | 4620JJ2009A | 4620JJ2009A | Stopper, Door |
| 243C | J326-00012A | J326-00012A | J326-00012A | J326-00012A | Bush |
| 244A | AED37133301 | AED37133303 | AED37133302 | AED37133301 | Handle Assembly, Refrigerator |
| 249E | 5218JA1010J | 5218JA1010J | 5218JA1010J | 5218JA1010J | Rail, Slide |
| 249F | 5218JA1010K | 5218JA1010K | 5218JA1010K | 5218JA1010K | Rail, Slide |
| 249S | ACJ36695103 | ACJ36695103 | ACJ36695103 | ACJ36695103 | Connector Assembly |
| 262C | 4350JA3005B | 4350JA3005B | 4350JA3005B | 4350JA3005B | Ring |
| 281D | 3550JA2267B | 3550JA2267B | 3550JA2267B | 3550JA2267B | Cover, Hinge |
| 281E | 3550JA2267A | 3550JA2267A | 3550JA2267A | 3550JA2267A | Cover, Hinge |
| 281F | 3550JA2264A | 3550JA2264A | 3550JA2264A | 3550JA2264A | Cover, Hinge |
| 281G | MCQ42969201 | MCQ42969201 | MCQ42969201 | MCQ42969201 | Damper, Pipe |
| 603C | 4004JA3002A | 4004JA3002A | 4004JA3002A | 4004JA3002A | Clip |
| 615A | 4838JA2003B | 4838JA2003B | 4838JA2003B | 4838JA2003B | Tank, Water |
| 616J | MCD38280801 | MCD38280801 | MCD38280801 | MCD38280801 | Connector, Tube |

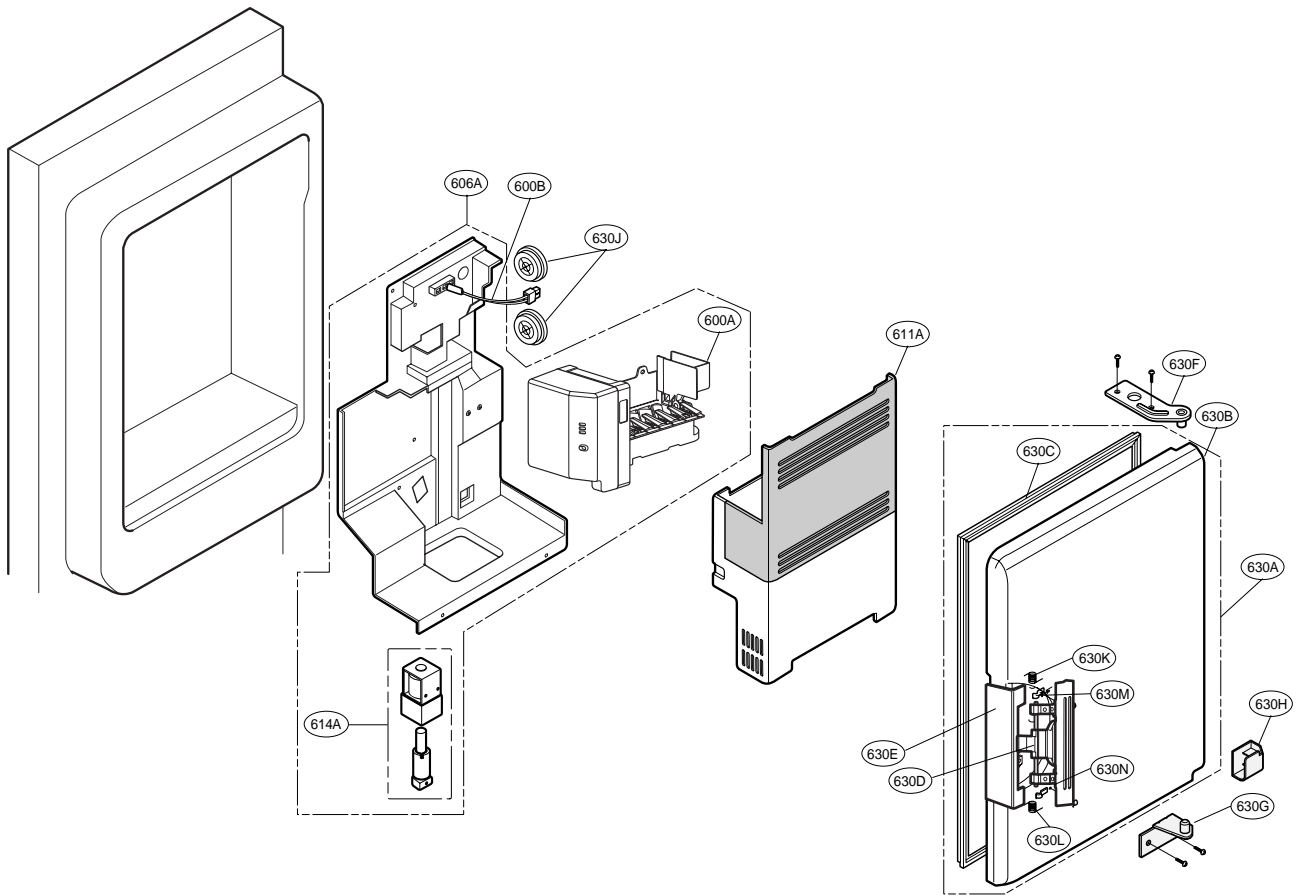
CAUTION: Use the part number to order part, not the position number.

DISPENSER PARTS



| LOCNo. | 785*3(ST) | 785*2(SW) | 785*9(WB) | 785*6(TI) | Description |
|--------|-------------|-------------|-------------|-------------|----------------------------|
| 275A | 5007JA3006R | 5007JA3006R | 5007JA3006R | 5007JA3006R | Cap Assembly, Duct |
| 276A | 4970JA3011C | 4970JA3011C | 4970JA3011C | 4970JA3011C | Spring, Lever |
| 276B | 4930JA3043A | 4930JA3043A | 4930JA3105A | 4930JA3043A | Holder, Lever |
| 278A | 3017JA2008B | 3017JA2008A | 3017JA2008J | 3017JA2008B | Funnel Assembly |
| 278B | 3210JA1072B | 3210JA1072A | 3210JA1072C | 3210JA1072B | Frame, Funnel |
| 278C | 4510JA2022A | 4510JA2022A | 4510JA2027A | 4510JA2022A | Lever, Dispenser |
| 278D | 3016JA2004E | 3016JA2004A | 3016JA2004C | 3016JA2004E | Funnel |
| 278F | 6871JB2074A | 6871JB2074A | 6871JB2074A | 6871JB2074A | PCB Assembly, Display |
| 279A | ACQ37160701 | ACQ37160702 | ACQ37160703 | ACQ37160701 | Cover Assembly, Dispenser |
| 279B | 3550JA1468B | 3550JA1468A | 3550JA1468C | 3550JA1468B | Cover, Dispenser |
| 279D | MCK42378801 | MCK42378801 | MCK42378801 | MCK42378801 | Cover, Display |
| 279E | MCR42758801 | MCR42758803 | MCR42758802 | MCR42758801 | Decor, Control |
| 280B | 4930JA2074B | 4930JA2074B | 4930JA2074B | 4930JA2074B | Holder, Button |
| 280C | 5020JA2040E | 5020JA2040F | 5020JA2040K | 5020JA2040E | Button, Lever |
| 281A | 3806JA2118B | 3806JA2118A | 3806JA2118C | 3806JA2118B | Decor, Drain |
| 402C | 6600JB3001E | 6600JB3001E | 6600JB3001E | 6600JB3001E | Switch, Micro |
| 405A | 6421JB2002D | 6421JB2002D | 6421JB2001M | 6421JB2002D | Solenoid, Reversing, Valve |
| 500B | 6871JB2061B | 6871JB2061B | 6871JB2061B | 6871JB2061B | PCB Assembly, Sub |
| 501A | EBR43358501 | EBR43358501 | EBR43358501 | EBR43358501 | PCB Assembly, Display |

ICE MAKER & ICE BANK PARTS



| LOCNo. | 785*3(ST) | 785*2(SW) | 785*9(WB) | 785*6(TI) | Description |
|--------|-------------|-------------|-------------|-------------|----------------------------|
| 600A | AEQ36756901 | AEQ36756901 | AEQ36756901 | AEQ36756901 | Ice Maker Assembly, Kit |
| 606A | 4681JA1006D | 4681JA1006D | 4681JA1006D | 4681JA1006D | Motor, AC |
| 611A | 5075JA1044G | 5075JA1044G | 5075JA1044G | 5075JA1044G | Bucket Assembly, Ice |
| 630A | ADC33751103 | ADC33751103 | ADC33751103 | ADC33751103 | Door Assembly, Freeze Room |
| 630B | ADD33178703 | ADD33178703 | ADD33178703 | ADD33178703 | Door Foam Assembly |
| 630C | 4987JA2012B | 4987JA2012B | 4987JA2012B | 4987JA2012B | Gasket Assembly, Door |
| 630D | MEB49049003 | MEB49049003 | MEB49049003 | MEB49049003 | Handle, Home Bar |
| 630E | MCR42600501 | MCR42600501 | MCR42600501 | MCR42600501 | Decor, Handle |
| 630F | 4775JA2101A | 4775JA2101A | 4775JA2101A | 4775JA2101A | Hinge Assembly, Upper |
| 630G | 4775JA2102A | 4775JA2102A | 4775JA2102A | 4775JA2102A | Hinge Assembly, Lower |
| 630H | MCK38202501 | MCK38202501 | MCK38202501 | MCK38202501 | Cover, Home Bar |
| 630J | 4987JA3025A | 4987JA3025A | 4987JA3025A | 4987JA3025A | Gasket Assembly, Door |
| 630K | 4970JA3044A | 4970JA3044A | 4970JA3044A | 4970JA3044A | Spring |
| 630L | 4970JA3045A | 4970JA3045A | 4970JA3045A | 4970JA3045A | Spring |
| 630M | 4860JA3010B | 4860JA3010B | 4860JA3010B | 4860JA3010B | Clamp |
| 630N | 4860JA3010A | 4860JA3010A | 4860JA3010A | 4860JA3010A | Clamp |



*'You Can Count on me . . .
to Work Safely.'*