

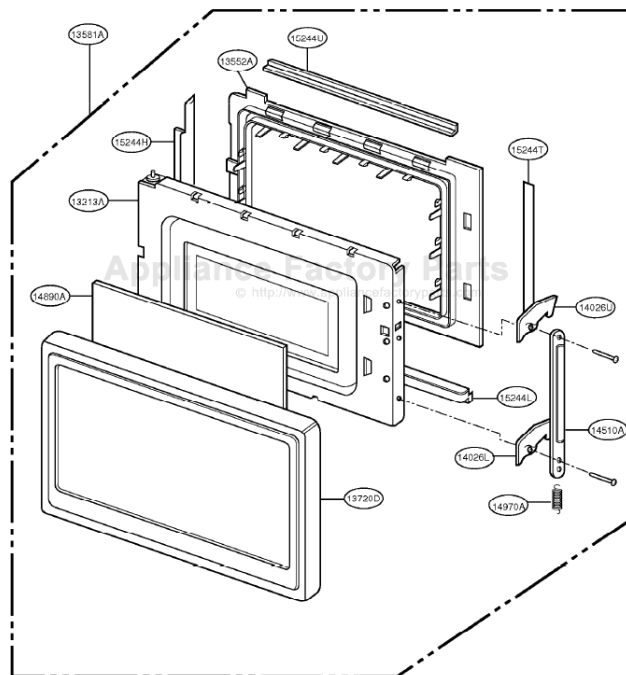
This Owner's Manual is provided and hosted by [Appliance Factory Parts](http://ApplianceFactoryParts.com).



LG GM8131XEQ Owner's Manual

[Shop genuine replacement parts for LG GM8131XEQ](#)

1. DOOR PARTS

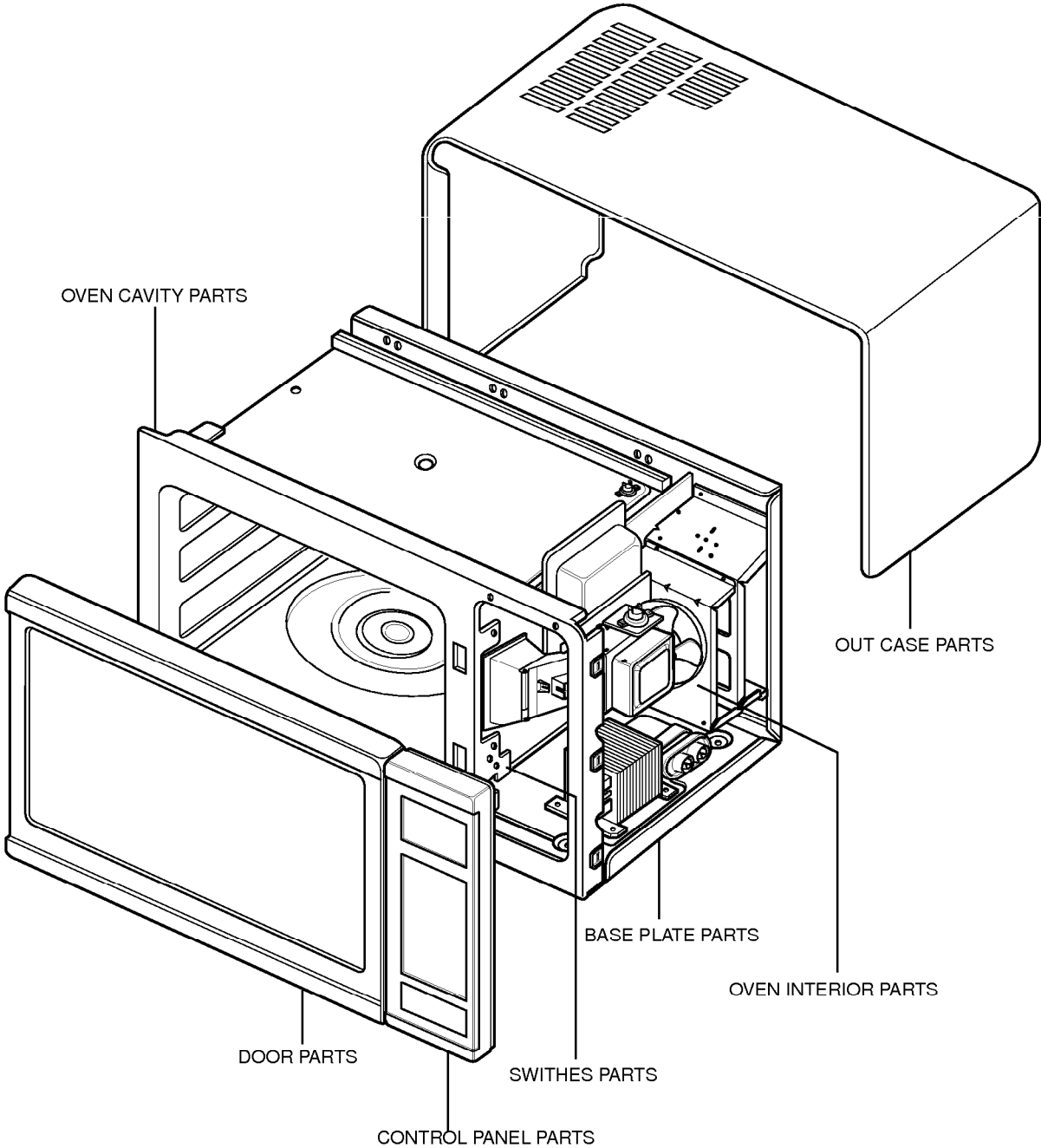


[Find Your LG Microwave Parts - Select From 955 Models](#)

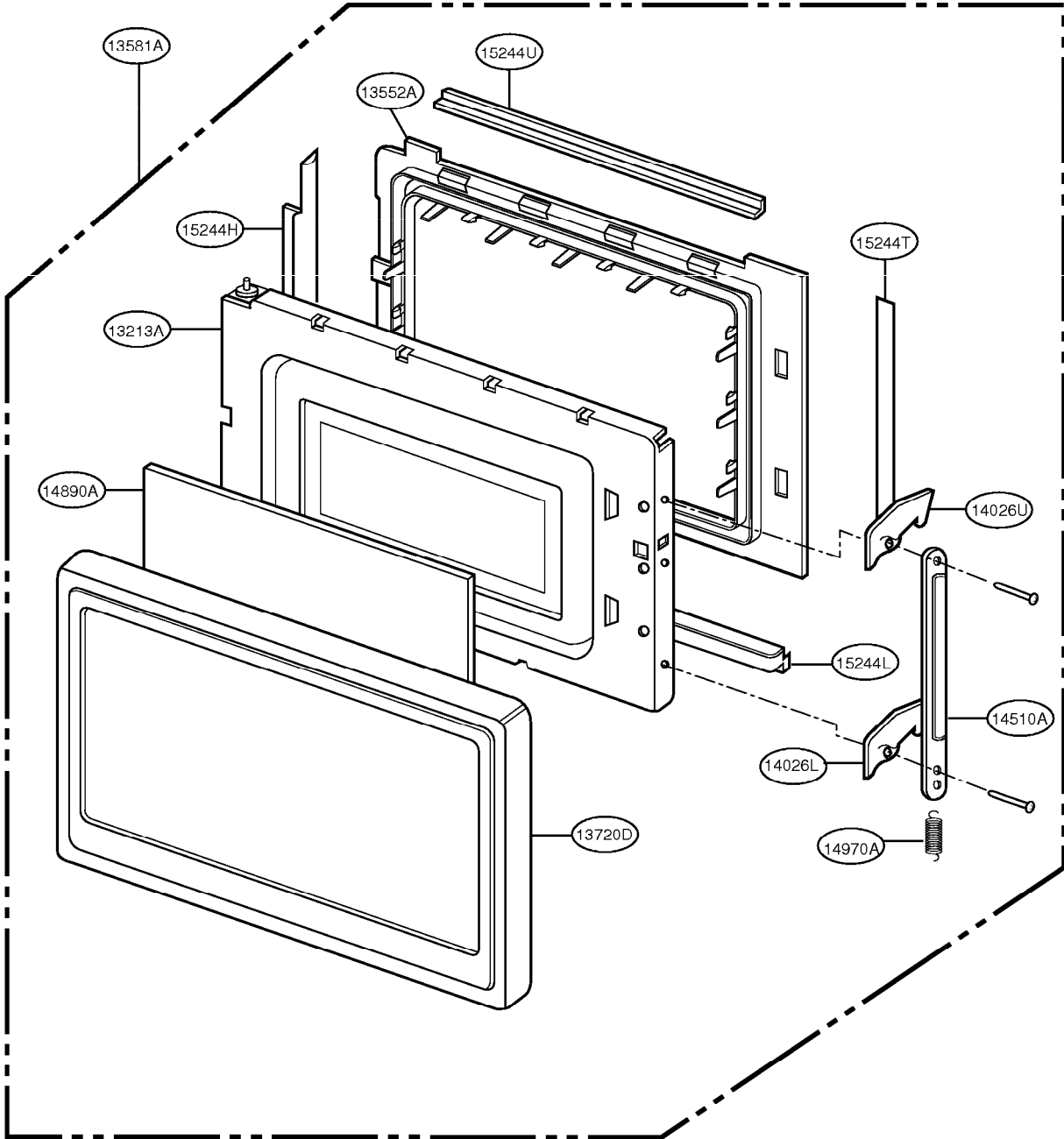
----- Manual continues below -----

EXPLODED VIEW AND PARTS LIST

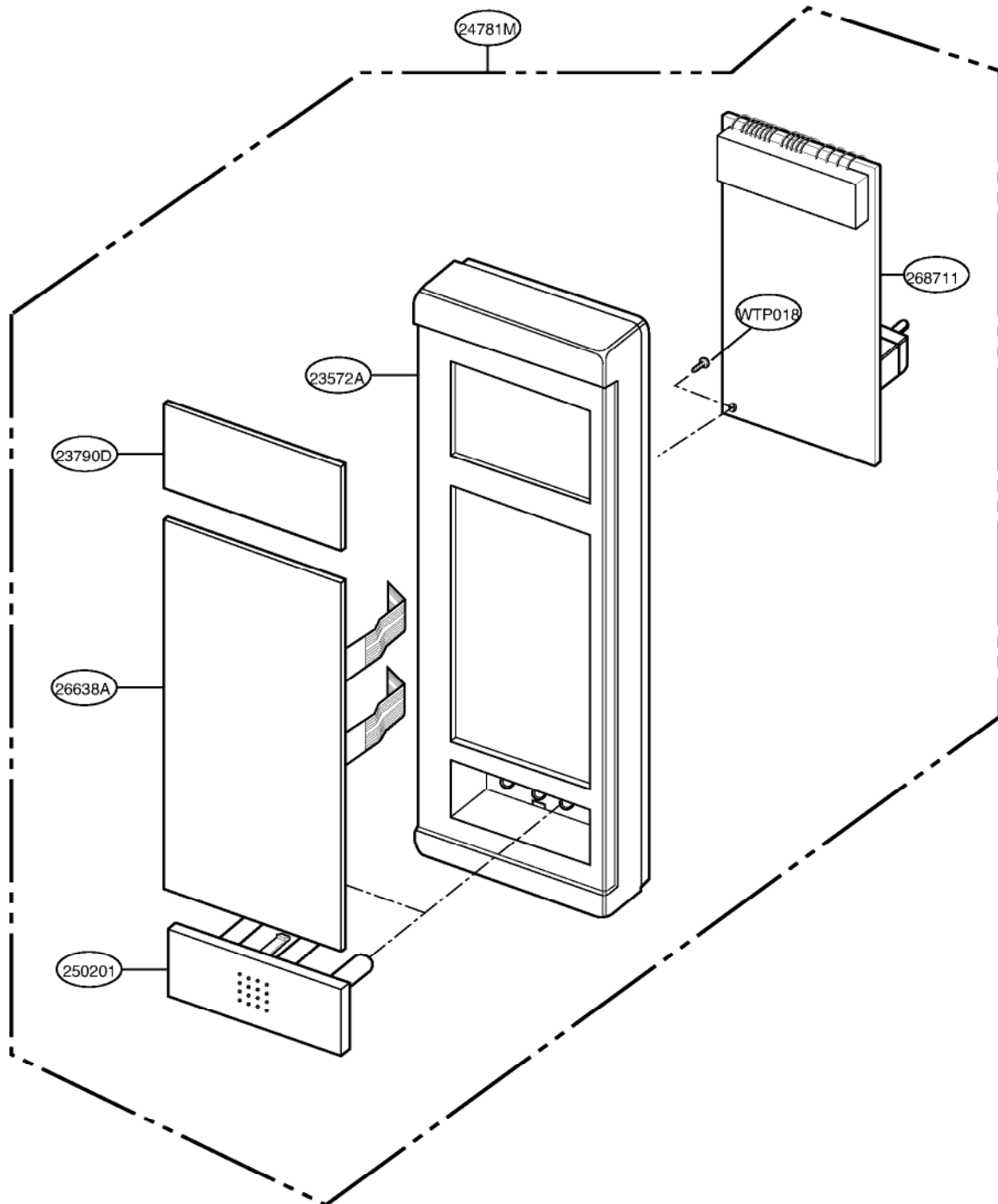
INSTRUCTION



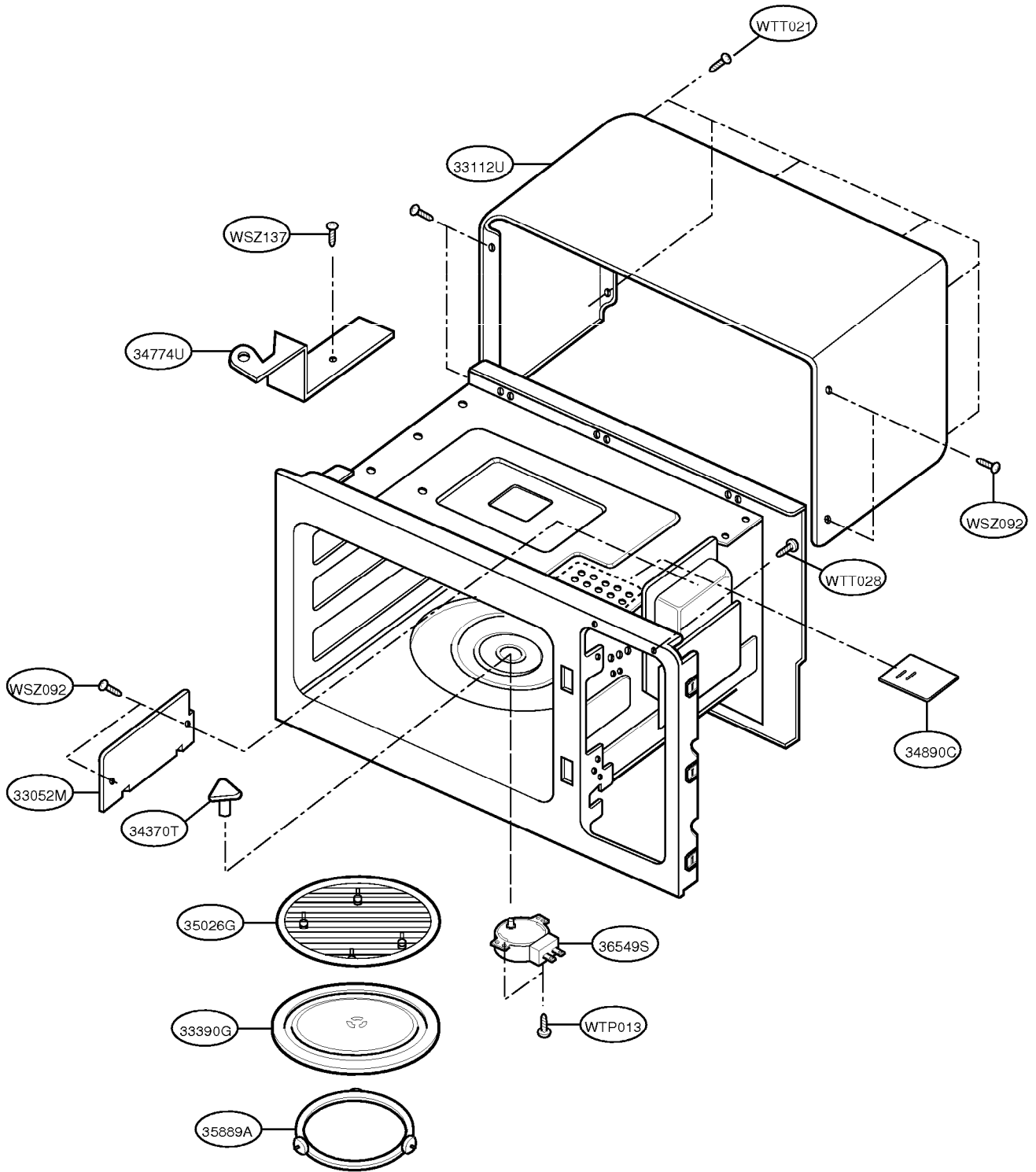
1. DOOR PARTS



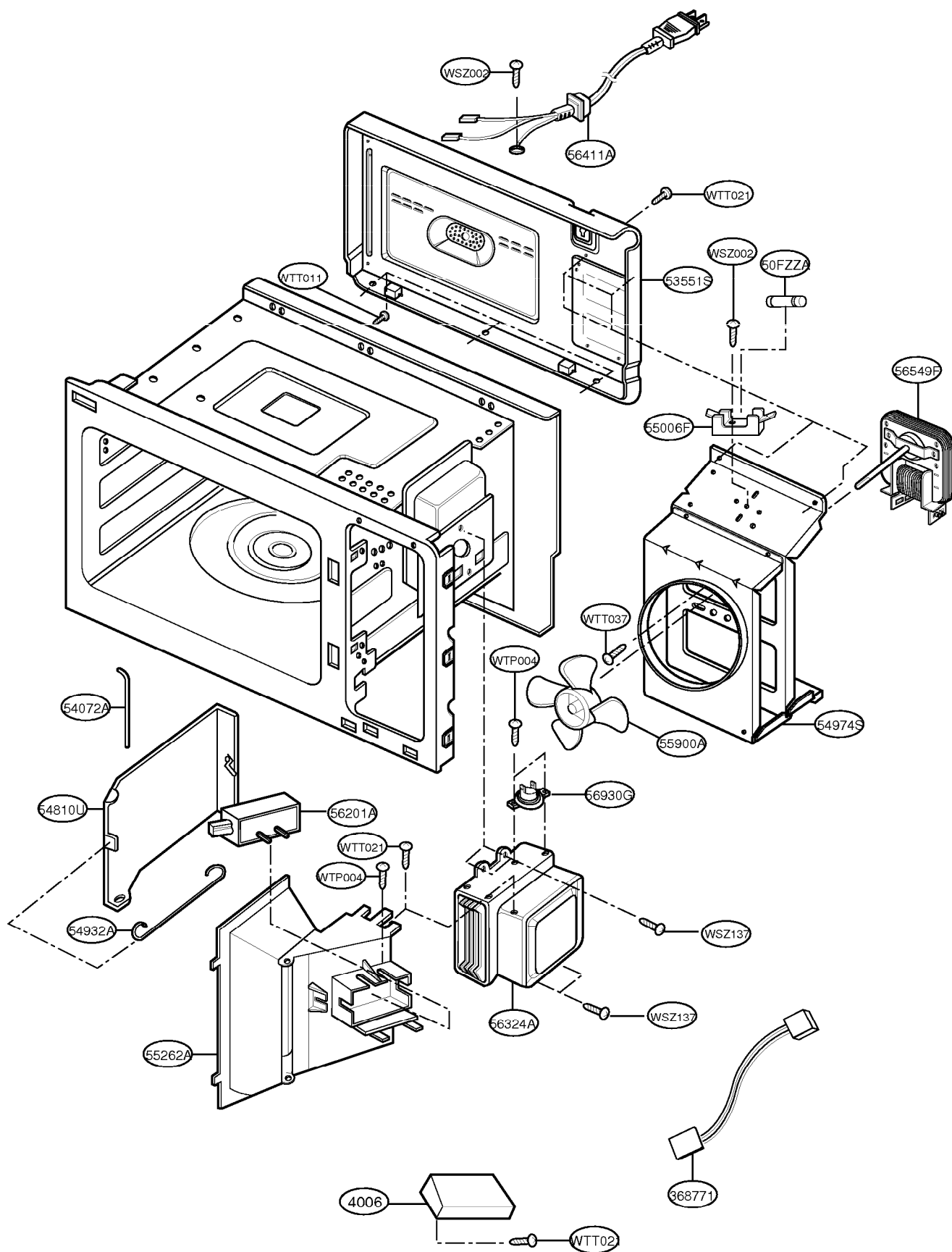
2. CONTROLLER PARTS



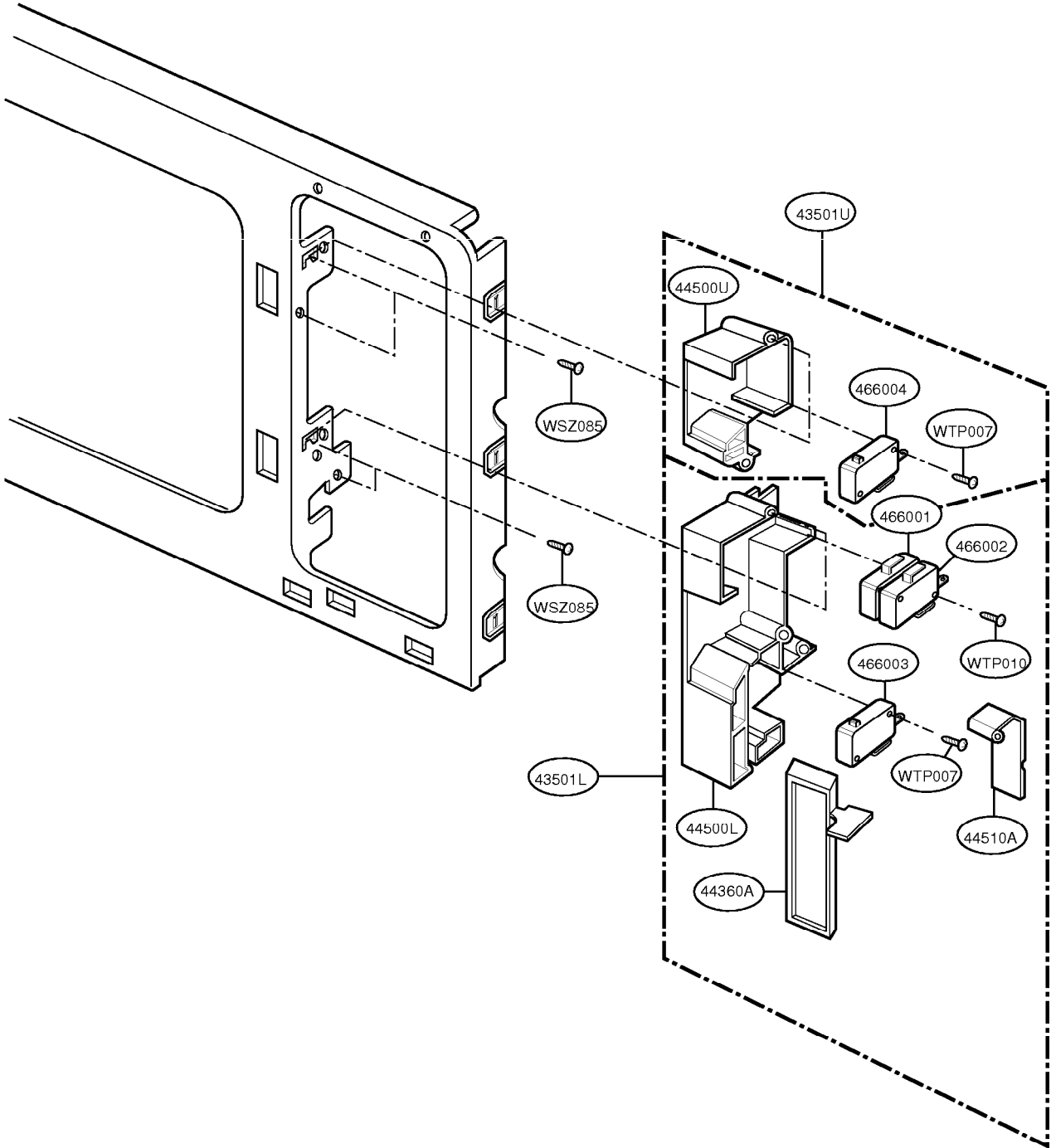
3.OVEN CAVITY PARTS



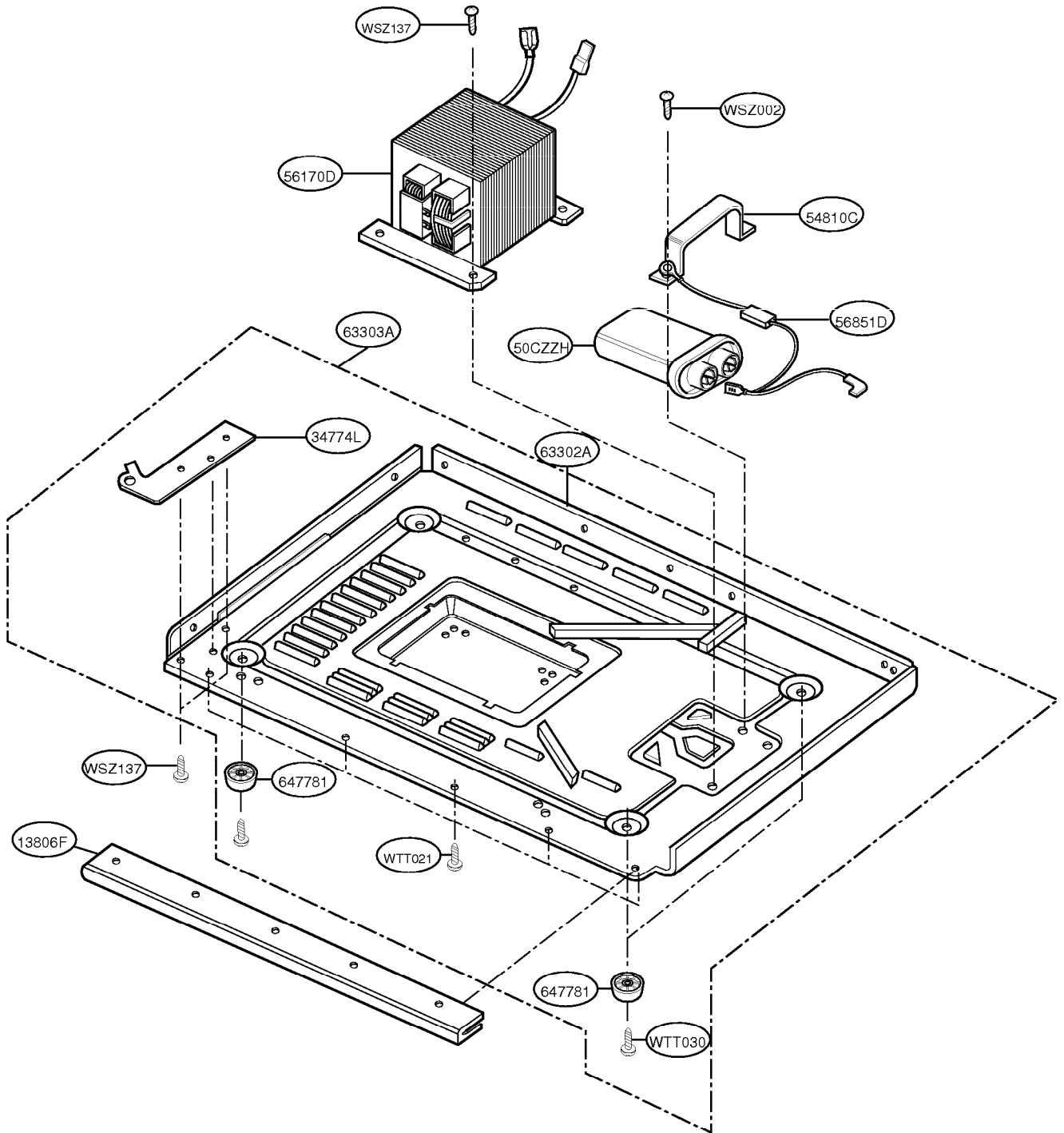
4. OVEN INTERIOR PARTS(1)



6. SWITCHES PARTS



7. BASE PLATE PARTS



8. WIRING HARNESS PARTS

