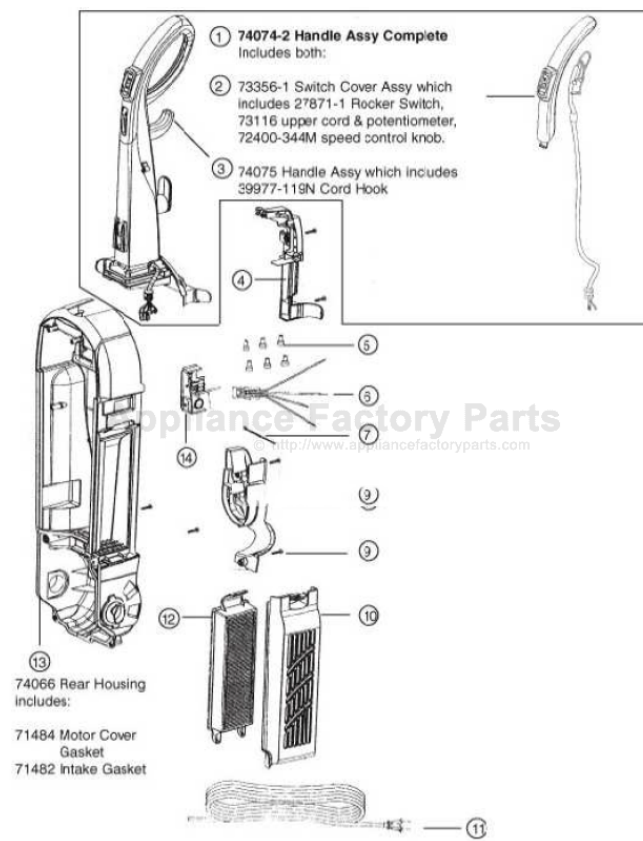


Eureka 5892BVZ Owner's Manual

[Shop genuine replacement parts for Eureka 5892BVZ](#)

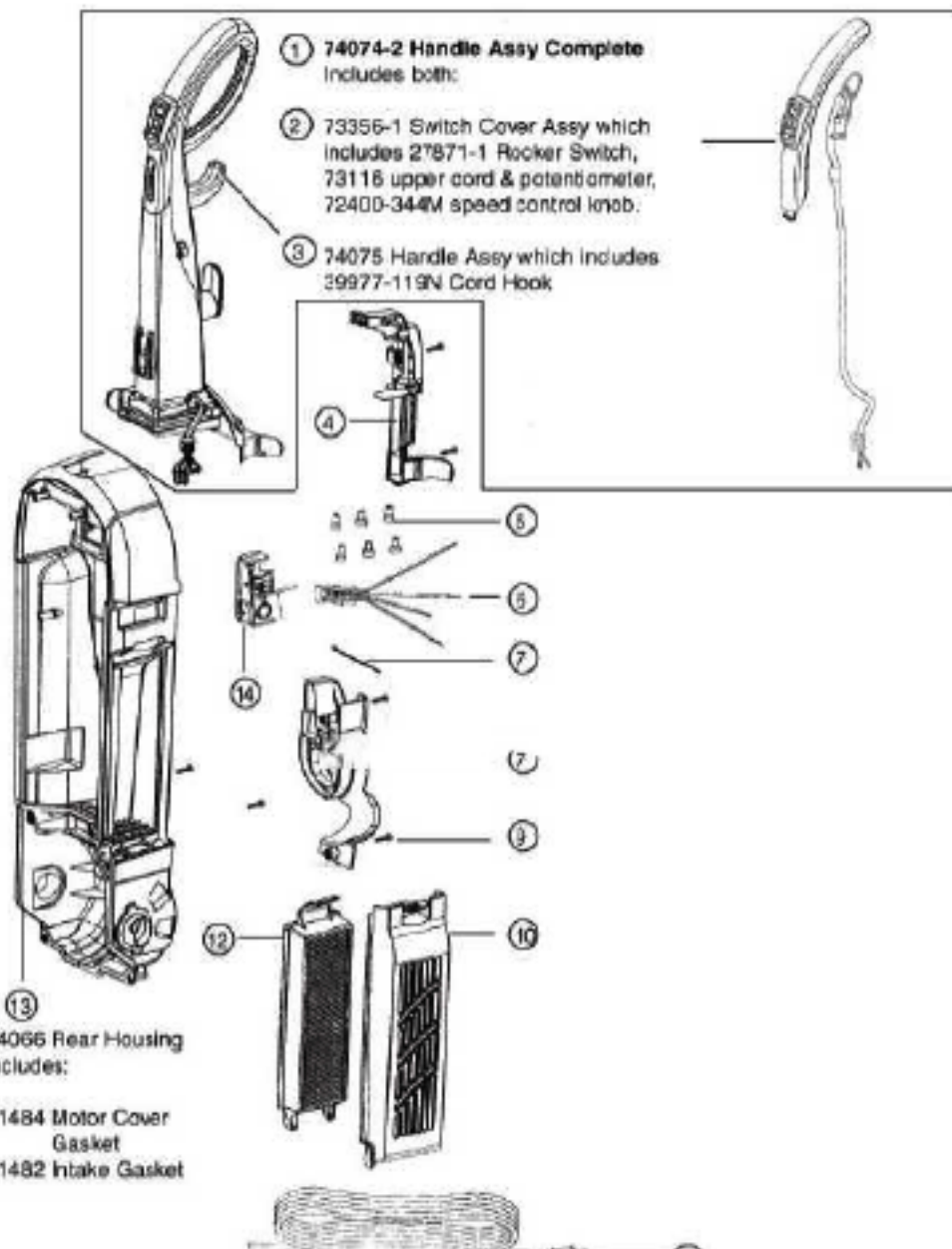


[Find Your Eureka Vacuum Cleaner Parts - Select From 855 Models](#)

----- Manual continues below part list -----

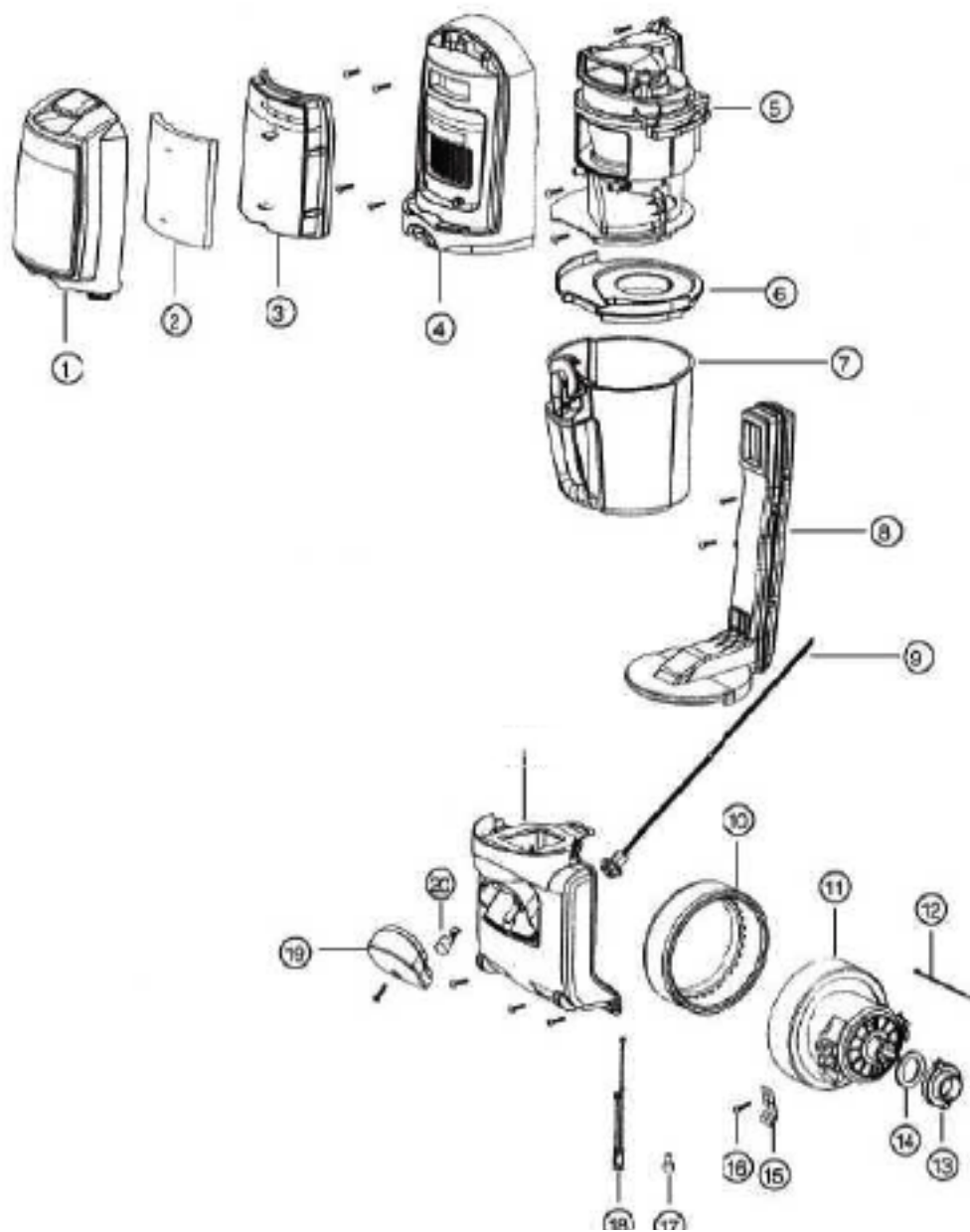
Available Replacement Parts for Eureka 5892BVZ

E-61830	STYLE HF5 EUREKA HEPA FILTER
72393	ELECTROLUX OXYGEN BELT (1 PACK)
E-73494	FILTER, 1 PK
E-71492	WAND, NESTING W/CREVICE TOOL
e-60990-2	BRUSH
E-71725-313N	ADAPTER-HOSE



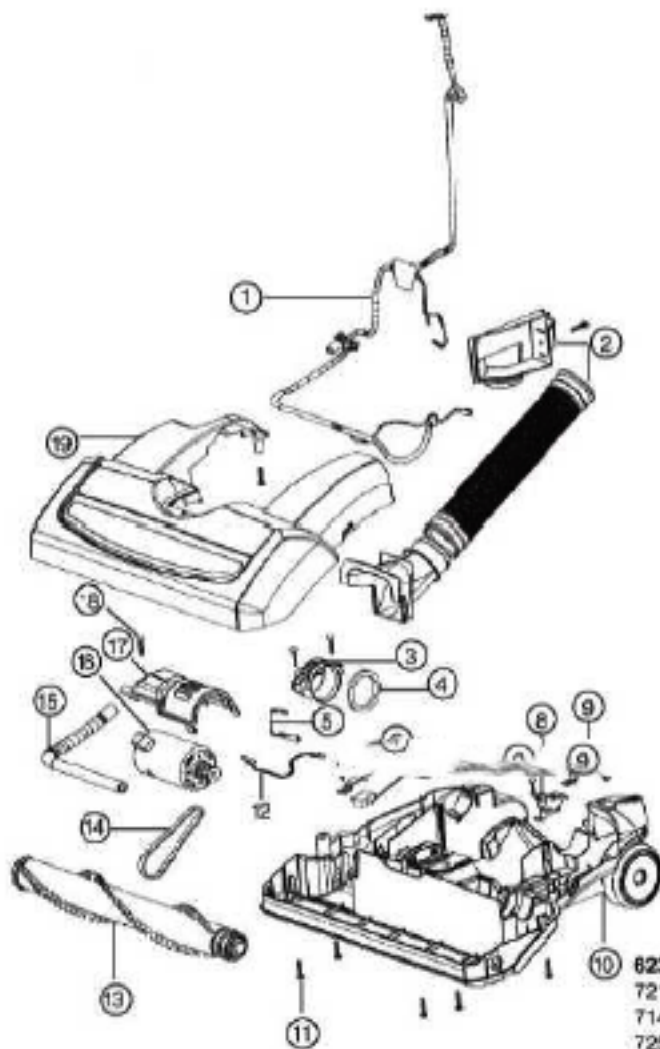
Main Body - 5892BVZ

Ref #	Part	Description	Comments	Qty
1	74074-1	HANDLE ASSEMBLY		
2	74359-1	SWITCH COVER ASSEMBLY	Includes items 72846 upper jumpercord and 2787 1-1 rocker switch.	
3	74075	UPPER HANDLE ASSEMBLY	Includes item 399770119N cord hook.	
4	74111	CORD EXIT COVER ASSEMBLY		
5	60192-1	WIRE SPLICE 5	Pkg of 5	
6	73134A	RECTIFIER & LEAD ASSY		
7	46713-3	TIE - CABLE (PURCHASED)		
8	71455-119N	TOOL PACK - LOWER		
9	53238-27	SCREW PACKAGE	Pkg of 10	
10	72006-11	FILTER COVER & GRAPHICS A		
11	39584-8	CORD - LOW LEAD (17 GA)		
12	61830	HEPA FILTER PKG - STYLE H		
13	74066	REAR HOUSING ASSEMBLY	Includes items 71484 motor cover gasket and 71482 Intake gasket.	



Dust Cup - 5892BVZ

Ref #	Part	Description	Comments	Qty
1	74070-4	FILTER DOOR ASSEMBLY		
2	74038	FOAM FILTER		
3	73494	FILTER ASSEMBLY		
4	74069	CYCLONE COVER ASSEMBLY		
5	74068	SLINGER/CYCLONE ASSEMBLY		
6	73500	CUP - LID ASSEMBLY		
7	63143-2	DUST CUP PACKAGED		
8	74067	AIR TUBE ASSEMBLY		
9	70701-2	SOCKET & TERMINAL ASSY		
10	74026-119N	GASKET - MOTOR CAN		
11	62075-2	MOTOR ASSEMBLY - CTND		
12	46713-3	TIE - CABLE (PURCHASED)		
13	74112-119N	BUSHING - MOTOR		
14	74664-1	GASKET - MOTOR HUB		
15	72443	THERMOSTAT CLIP		
16	61803-3	SCREW PACKAGE	Pkg of 5	
17	60192-1	WIRE SPLICE 5	Pkg of 5	
18	73992-1	THERMOSTAT & TERMINAL ASS		
19	74025-313N	LENS - HEADLAMP		
20	57940-3	LAMP - HEADLIGHT		
21	74354-1	MOTOR COVER ASSEMBLY		

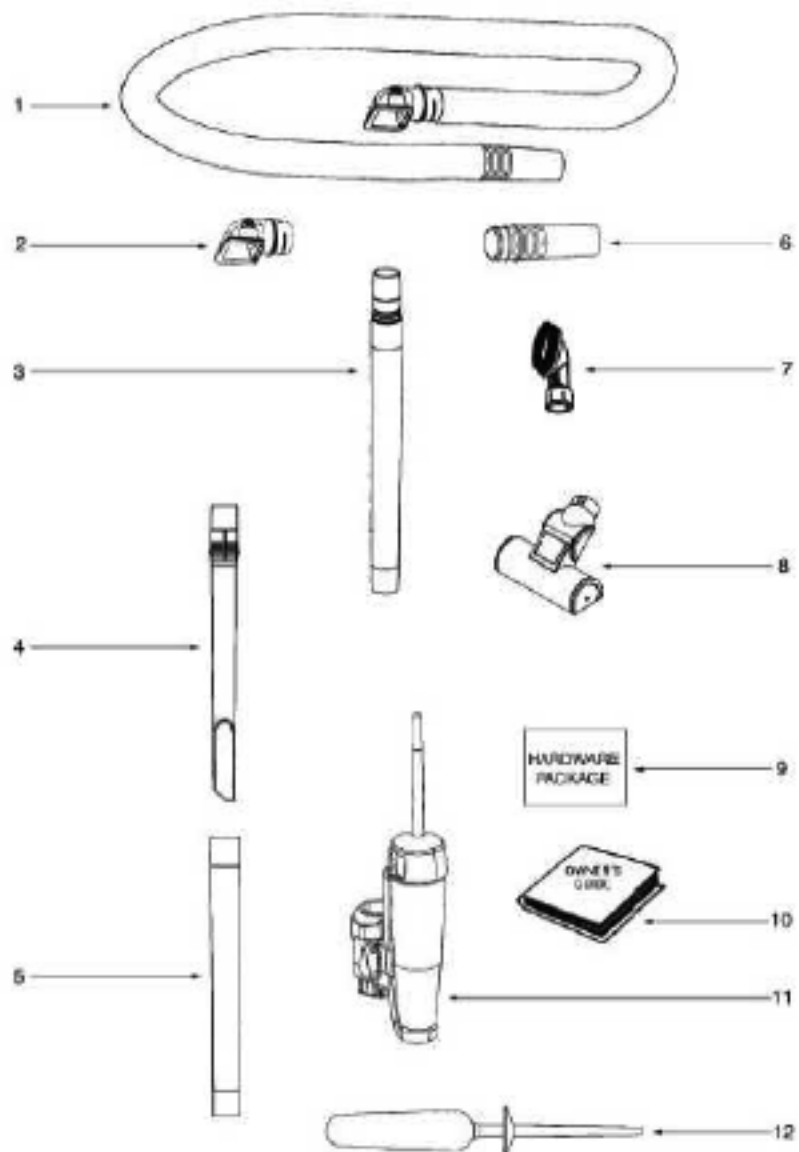


62375-1 Base Assembly Includes:

- 72170-119N, wheel carriage
- 71478, front axle
- 72511, front wheel
- 38590A, rear axle
- 73432, axle bushing
- 54943, spring (Pkg of 5)
- 72512-1, rear wheel assy
- 54432-2, retaining ring (Pkg of 10)
- 74776-119N, handle release
- 71574, handle release spring
- 73153, felt - base

Base and Hood - 5892BVZ

Ref #	Part	Description	Comments	Qty
1	73215	CORD - JUMPER (LOWER)		
2	72882	BASE HOSE ASSEMBLY		
3	72733-119N	COVER - SUCTION		
4	72829A	GASKET - SUCTION COVER		
5	39490-6	LEAD & TERMINAL ASSEMBLY		
6	72514	BRACKET - CIRCUIT PROTECT		
7	72401	CIRCUIT PROTECTOR		
8	59397-2	MICRO SWITCH & BRACKET AS		
9	74080	CLAMP - MOTOR		
10	62375-1	BASE ASSEMBLY - PACKAGED		
11	54669-6	SCREW PACKAGE		
12	39490-7	LEAD & TERMINAL ASSEMBLY		
13	62365-1	BRUSHROLL ASSEMBLY - CRTN		
14	72393	BELT - COGGED		
15	72827	TUBE - COOLING		
16	62373-1	MOTOR & PULLEY ASSY - CTN		
17	73151	BRUSH ROLL MOTOR COVER AS		
18	53238-27	SCREW PACKAGE	Pkg of 10	
19	62374-4	HOOD ASSEMBLY - PACKAGED		



Accessories - 5892BVZ

Ref #	Part	Description	Comments	Qty
1	61865-B	HOSE ASSEMBLY - CARTONED	Includes items 2 & 6	
2	71725-313N	ADAPTER - HOSE		
3	71492A	NESTING WAND ASSEMBLY	Includes items 4 & 5	
4	71956A-355N	WAND - CREVICE		
5	71973-119N	WAND - OUTER		
6	70559A-119N	COUPLING - HOSE		
7	60990-2	COMBINATION BRSH BRSTLD-C		
8	75391	TURBO NOZZLE ASSEMBLY		
9	72892	PACKAGE - HARDWARE		
10	74227			
11	75628	ELECTROSTATIC DUSTER ASSY	Includes item 12	
12	74123	DUSTER ASSEMBLY		
13	75430-313N	CLIP - TURBO NOZZLE	Not pictured.	