

This Owner's Manual is provided and hosted by [Appliance Factory Parts](http://ApplianceFactoryParts.com).



Lynx L36FR-2005 Owner's Manual

[Shop genuine replacement parts for Lynx L36FR-2005](#)



[Find Your Lynx Grill Parts - Select From 362 Models](#)

----- Manual continues below -----



PROFESSIONAL GRILLS

User Manual / Installation Instructions

Professional Series Grills & Side Burners



Models

- L27(F)(R)
- L 30(F)(R)
- L36(F)R
- L42(F)R
- L5430(F)R2B
- L54PS(F)R
- LSB1&2, LCB1&2
- CS 30 (F)
- LDR 18/21/27/30/36/42/54
- LIJ 27/30/36/42/54

Side Burner Models

- LSB1, LSB2
- LSB2PC - Two Burner Prep Center
- LSPGE - ProSear Grill Extender
- LPSGEKIT
- LPSGEBKT

ProSear Models w/ IR Main Burners

- L 30(A)PS(F)R
- L 42 PS(F)R
- L54PS(F)R
- L30PSP
- LPSGE (ProSear Grill Extender)
- LPSGEKIT
- LPSGEBKT

FOR OUTDOOR USE ONLY

Improper installation, adjustment, alteration, service or maintenance, can cause property damage, injury or death. Read this manual thoroughly before installation, use or servicing of this equipment.

NOTE TO INSTALLER:

This manual must remain with grill. Check your local building codes for proper method of installation. In the absence of local codes, this unit should be installed in accordance with National Fuel Gas Code No. Z223.1-1988 USA or CAN/CGA-B149.1/.2 Natural Gas/Propane Code.(Canada) latest edition or the National Electrical Code ANSI/NFPA No. 70 or the Canadian Electrical Code CSA C22.1,1990 or latest edition.



Rev. 04/2005

Table of Contents

Safety Practices & Precautions.....	3
Leak Testing.....	6
Locating the Grill.....	7
Utility Requirements.....	9
Features and Identification	13
Lighting Instructions.....	16
Match Lighting.....	17
Burner Adjustments.....	18
Using the Grill.....	19
Using the Smoker.....	19
Using the Rotisserie.....	21
Burner Removal and Cleaning.....	22
ProSear Supplement.....	24
Side Burners.....	28
Service.....	33
Warranty.....	39

Safety Instructions

WARNING! Read this manual carefully and completely before using your grill to reduce the risk of fire, burn hazard or other injury, making sure of proper installation and servicing.

FOR YOUR SAFETY

If you smell gas:

1. Shut off gas to the appliance.
2. Extinguish any open flames.
2. Open lid.
4. If odor continues, immediately call your gas supplier or your fire department.

AVERTISSEMENT

S'il y a une odeur de gaz:

1. Coupez l'admission de gaz de l'appareil.
2. Éteindre toute flamme nue.
3. Ouvrir le couvercle.
4. Si l'odeur persiste, appeler immédiatement votre compagnie de gaz ou votre département des incendies.

FOR YOUR SAFETY

1. Do not store or use gasoline or other flammable vapors and liquids in the vicinity of this or any other appliance.
2. An LP cylinder not connected for use shall not be stored in the vicinity of this or any other appliance.

AVERTISSEMENT

1. Ne pas entreposer ni utiliser de l'essence ni d'autres vapeurs ou liquides inflammables dans le voisinage de l'appareil, ni de tout autre appareil.
2. Une bouteille de propane qui n'est pas raccordée en vue de son utilisation, ne doit pas être entreposée dans le voisinage de cet appareil ou de tout autre appareil.

FOR OUTDOOR USE ONLY: If Stored Indoors, Detach and Leave Cylinder Outdoors.

Pour utilisation à l'extérieur seulement.
Si l'appareil est entreposé à l'intérieur, enlever les bouteilles et les laisser à l'extérieur.

BEFORE LIGHTING

1. Read instructions before lighting.
2. Open lid during lighting.
3. If ignition does not occur in 5 seconds, turn the burner control(s) off, wait 5 minutes, and repeat the lighting procedure.

AVANT D'ALLUMER L'APPAREIL

1. Lisez les instructions avant d'allumer l'appareil.
2. Ouvrez le couvercle avant d'allumer l'appareil.
3. Si l'appareil ne s'allume pas en 5 secondes, fermez le robinet du brûleur, attendez 5 minutes, et procédez de nouveau à l'allumage.

Safety Practices & Precautions

FOR YOUR SAFETY:

1. **Never use natural gas in a unit designed for liquid propane or visa versa.**
2. **If you smell gas:**
 - A. **Shut off gas to the appliance.**
 - B. **Extinguish any open flames.**
 - C. **Open lid.**
 - D. **If odor continues, immediately call your gas supplier.**
3. **DO NOT** store or use gasoline or other flammable vapors and liquids in the vicinity of this or any other appliance.
4. **Whenever the grill burners have been removed, follow the installation instructions.**
5. **NEVER LEAVE THE GRILL UNATTENDED WHILE COOKING.**
6. California Proposition 65 — **WARNING!** The burning of gas cooking fuel generates some by-products, which are on the list of substances, which are known by the State of California to cause cancer or reproductive harm. California law requires businesses to warn customers of potential exposure to such substances. To minimize exposure to the substances, always operate this unit according to the use and care instructions found in this manual. Be certain to provide adequate ventilation when cooking.

California Proposition 65 lists “Silica, crystalline” which is used in one of the components of the IR burner, as an agent known to the state of California to cause cancer.
7. Do not repair or replace any part of the grill unless specifically recommended in this manual. All other service should be performed by a qualified technician.
8. Gas grills are not design-certified for and are not to be installed in or on recreational vehicles, portable trailers, boats or any other moving installation.
9. Children should not be left alone or unattended in an area where a grill is located. Place your grill well away from areas where children play. Do not store items that may interest children in or around the grill, in the cart or in the masonry enclosure. **When in use, portions of the grill are hot enough to cause severe burns.**
10. Avoid wearing loose-fitting garments or long sleeves while using the grill. Never touch the grill racks, hood or immediate surrounding metal surfaces with your bare hands as these areas become extremely hot during use and could cause burns. Use an insulated glove or mitt when opening and operating the grill. Open grill lid slowly to allow heat and smoke to escape before fully opening. Never lean over hot grill surface or look directly into the grill when attempting to light. The grill hood must be fully opened when lighting.

Safety Practices & Precautions

11. Have an ABC Fire Extinguisher accessible — never attempt to extinguish a grease fire with water or other liquids.
12. Keep any electrical supply cord and the fuel supply hose away from any heated surfaces.
Gardez tout cordon d'alimentation électrique et tuyau d'alimentation en combustible à l'écart des surfaces chauffées.
13. Do not heat unopened food containers as a build-up of pressure may cause the container to burst.
14. Never store additional or empty propane cylinders in the grill cabinet or around the grill. Do not store propane cylinders indoors or on their sides. Never use dented, rusty or damaged propane cylinders.
15. Do not use aluminum foil to line grill racks or drip pans. This will alter combustion airflow or trap excessive heat in the control area. This can result in melted knobs and ignition modules.
16. If the grill is installed by a professional installer or technician, be sure that he shows you where your gas supply shut-off is located. All gas lines must have a shut-off that is readily and easily accessible. If you smell gas, check for gas leaks immediately. Check only with a soap and water solution. **Never check for gas leaks with an open flame.**
17. Never use charcoal in the grill. Never operate the grill in a windy area. If windy conditions exist, install a suitable windbreak.
18. Be aware that cooking excessively fatty meats and other such products will cause flareups. Internal fires or damage caused by flare-ups or the grill being left unattended while cooking, are not the responsibility of LYNX and any resulting damage is not covered under the terms and conditions of our Warranty.
19. Never grill without the drip pan in place. The drip pan must be pushed all the way to the back of the grill. Without the drip pan in place, hot grease could leak downward and produce a fire or explosion hazard.
20. Store your grill in a well-ventilated area. Remove the LP cylinder, if so equipped, and store it outdoors in a well-ventilated area away from heat and away from where children may tamper with it.
21. Always adhere to the required clearances from combustibles as detailed. The grill is designed for use outdoors only. Never operate in a garage, building, shed, breezeway or other enclosed area.
22. Grease is extremely flammable. Let hot grease cool down before attempting to handle or dispose of it. The drip tray should be cleaned of grease on a regular basis.
23. Keep any electrical supply cord away from any heated surface. Electrical cords should be placed away from walkways to avoid tripping hazard.

Safety Practices & Precautions

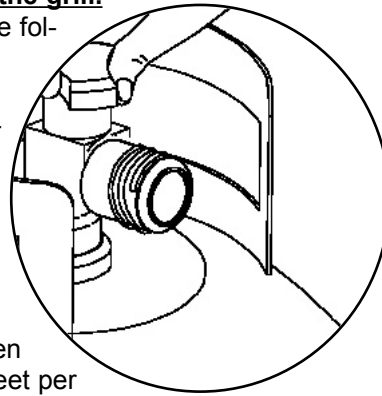
24. Do not use the grill until a leak check has been performed (see page 6).
25. Do not move grill while in use or hot.
26. Never place more than 30 pounds on a side shelf. Do not lean on shelves.
27. Do not operate grill under the influence of alcohol or drugs.
28. If any burner does not light or goes out during operation, turn off all gas control knobs with hood open and wait five (5) minutes before attempting to re-light.

LOCATION:

Never connect any unregulated gas supply to the grill.

The regulator with hose Type 1 connection has the following safety features:

- ♦The system will not allow gas to flow until a positive connection has been made.
- ♦The system has a thermal element that will shut-off the flow of gas between 115 and 150°C (240 and 300°F).
- ♦The system has a flow limiting device which, when activated, will restrict the flow of gas to 10 cubic feet per hour.



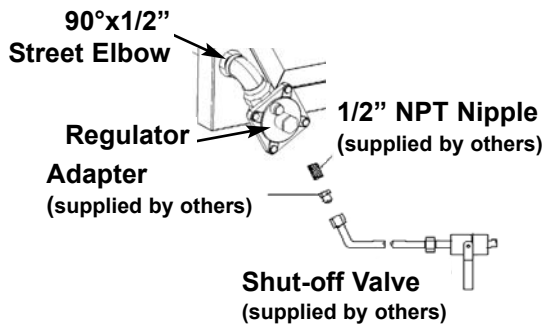
NOTE: The cylinder control valve must be turned off before any connection is made or removed. **NEVER USE GRILL WITHOUT LEAK TESTING THIS CONNECTION.**

Should the large black thermally sensitive coupling nut be exposed to temperatures above 115-150°C it will soften and allow the regulator probe to disengage from the cylinder valve, thereby shutting off the flow of gas. Should this occur, do not attempt to reconnect the nut. Remove the entire regulator assembly and replace it with a new one. The cause of the excessive heat should be determined and corrected before operating your grill again. The regulator probe also contains a flow-sensing element, which will limit the flow of gas to the regulator to a manageable amount (10 cubic feet/hour) in the event of a hose or regulator rupture. If it is evident that the flow control device has activated the cause of the excess flow should be determined and corrected before using your grill again.

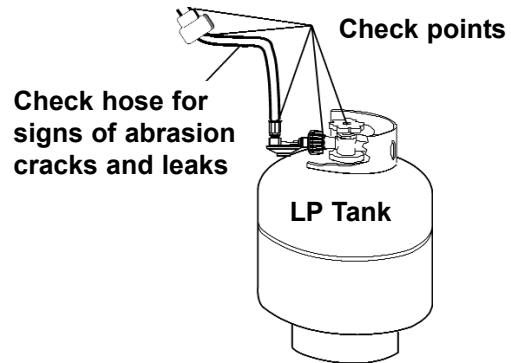
NOTE: Improper lighting procedures can cause the flow control to activate, resulting in reduced heat output. If this is suspected, to reset flow control, shut off all burner controls and cylinder valve, wait 30 seconds, then turn cylinder valve on extremely slowly wait five (5) seconds and turn burner valve on and light.

Leak Testing

Natural Gas Leak Check



LP Gas Leak Check



DANGER: To prevent fire or explosion hazard:

NO SMOKING. DO NOT use or permit sources of ignition in the area while doing a leak test. Perform leak tests outdoors only. Never perform a leak test with fire or flame.

HOW TO PERFORM A LEAK TEST:

1. Create a soapy solution of equal parts mild dishwashing detergent and water.
2. Confirm that all control knobs are in the off position.
3. Turn on fuel supply. Turn cylinder valve knob counter clockwise (right to left) one rotation.
4. Apply soap solution generously by paint brush or squirt bottle on all connections and fittings.
5. If "growing" bubbles appear on any of the connection points, then you have detected a gas leak. IMMEDIATELY close the LP cylinder valve by turning the handle clockwise.

FIXING A FUEL LEAK:

If you detect a leak:

1. Push in and turn on control knobs to release pressure in hose, then turn the control knobs back to off.
2. Wash off soapy solutions with cold water and towel dry.
3. Stop a leak by tightening the loose joint, or by replacing the faulty part with a replacement part recommended by the manufacturer. DO NOT attempt to repair the cylinder valve if it should become damaged; the cylinder MUST BE REPLACED.

Locating the Grill

When selecting a suitable location, take into account concerns such as exposure to wind and traffic paths. Try to keep all gas supply lines as short as possible. Never locate the grill in a building garage, shed or other such enclosed area. A carpenter's "spirit level" should be used to assure that the unit is level both front-to-back and side-to-side. If it is not level, burner combustion may be erratic. The unit may not function efficiently. If the floor is uneven or has a decided slope, re-leveling may be required after each moving of a freestanding unit.

BUILT-IN INSTALLATIONS:

The LYNX Built-In Grill is designed for easy installation into masonry enclosures. For non-combustible applications the grill drops into the opening shown in cutout detail drawing and hangs from its counter top trim. A deck is not required to support it from the bottom. *When using the insulated jacket in a combustible enclosure, the jacket must be supported from the bottom by a ledge on each side or a full deck beneath the jacket.* Review the detailed drawing and pay special attention to the provisions shown for gas line hook-up. It is recommended that the enclosure have ventilation holes to prevent gas build-up in the event of a leak. The deck ledges and counter should be flat and level. If your grill is equipped with a rotisserie, electrical service should be provided (on the Left Side of most models).

CLEARANCE TO NON-COMBUSTIBLE CONSTRUCTION:

A minimum of 2" clearance on **Premier Models 27/36/48** from the back of the grill.

Professional Models 30/42/48 and 54 require a minimum of 4" for the purpose of opening the hood. The grill exhausts combustion products and cooking greases to the back. Never locate the grill where this exhaust will be difficult to clean.

CLEARANCE TO COMBUSTIBLE CONSTRUCTION:

Minimum clearance from sides and back of unit to adjacent combustible construction below top of unit, 12 inches from sides and 12 inches from back. / *Dégagement minimal entre les parois latérales et l'arrière de l'appareil et la construction combustible au-dessous du panneau supérieur de l'appareil (30 cm à partir des parois latérales et 30 cm à partir de l'arrière).*

Minimum horizontal clearance from sides and back of unit to adjacent vertical combustible construction extending above top of unit, 12 inches from sides and 12 inches from back. /

Dégagement horizontal minimal entre les parois latérales et l'arrière de l'appareil et la construction verticale combustible au-dessus de l'appareil (30 cm à partir des parois latérales et 30 cm à partir de l'arrière).

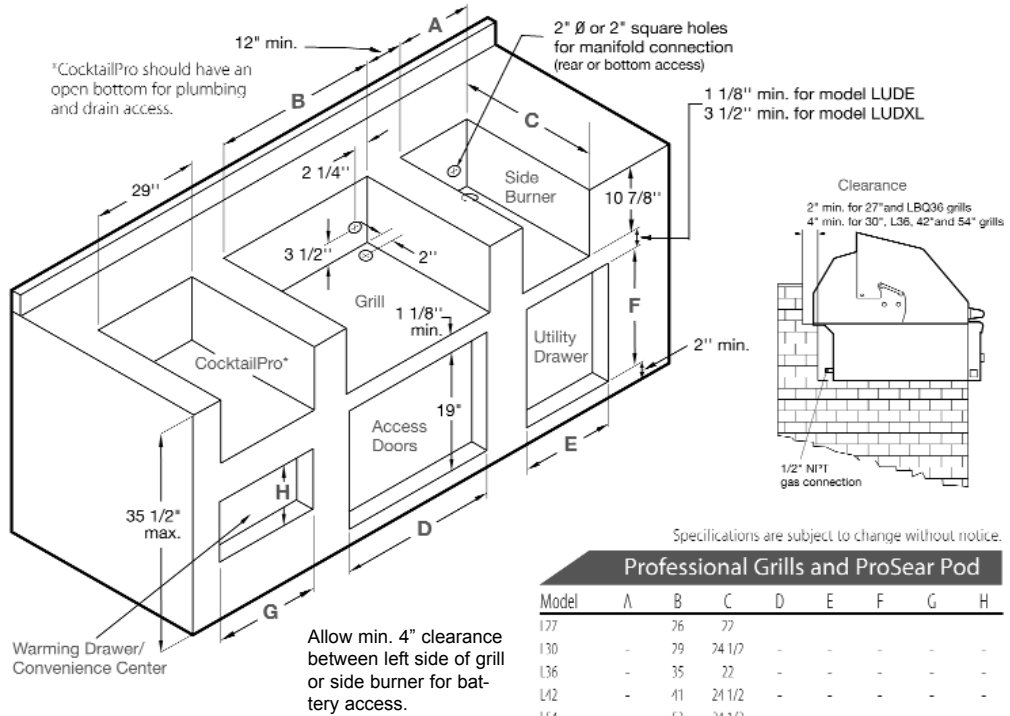
Do not use this appliance under overhead combustible surfaces. / *Ne pas utiliser cet appareil sous une surface combustible.*

Warning: Installing this product into a combustible enclosure without an insulated jacket could result in fire, property damage and personal injury.

If the grill is to be placed into a combustible enclosure, an approved **insulated jacket** is necessary and is available from your LYNX dealer. Use only a LYNX insulated jacket as it has been designed and tested specifically for your Grill. Refer to page 8 for cutout dimensions.

A minimum of 6" of clearance is needed **on each side of the grill** for the motor and skewer.

Specifications



Specifications are subject to change without notice.

Professional Grills and ProSear Pod

Model	A	B	C	D	E	F	G	H
L77	-	76	77	-	-	-	-	-
L30	-	79	24 1/2	-	-	-	-	-
L36	-	35	22	-	-	-	-	-
L42	-	41	24 1/2	-	-	-	-	-
LS1	-	53	24 1/2	-	-	-	-	-
LS0PSP	-	29	24 1/2	-	-	-	-	-

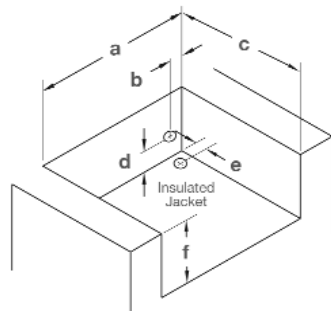
Complementary Products

Model	A	B	C	D	E	F	G	H
Access Doors								
LDR18	-	-	-	16 1/4	-	-	-	-
LDR21	-	-	-	19 1/4	-	-	-	-
LDR27	-	-	-	25 1/4	-	-	-	-
LDR30	-	-	-	28 1/4	-	-	-	-
LDR36	-	-	-	34 1/4	-	-	-	-
LDR42	-	-	-	40 1/4	-	-	-	-
Side Burners and ProSear Grill Extender								
LSB1	17 1/8	-	22 1/2	-	-	-	-	-
LSB2	17 1/8	-	22 1/2	-	-	-	-	-
LSB2PC	24 1/4	-	22 1/2	-	-	-	-	-
LP5GE	12 1/8	-	22 1/2	-	-	-	-	-
Utility Drawers								
LUDE	-	-	24	-	17 1/8	19 1/4	-	-
LUDXL	-	-	24 1/4	-	17 1/4	18 9/16	-	-
Warming Drawers								
LS0WD	-	-	20 1/2	-	-	-	28 1/2	10
L4XC	-	-	24 1/2	-	-	-	40 1/4	19 3/8
CocktailPro								
CS30	-	-	22 3/4	-	-	-	-	-

Note: Insulated jacket required for all grills installed into a combustible enclosure. See detail below.

With Insulated Jacket Installed

Model	a	b	c	d	e	f
LU27	33	5	24	4 1/2	3	11 5/8
LU30	36	5	26 1/2	4 1/2	3	11 5/8
LU36	42	5	24	4 1/2	3	11 5/8
LU47	48	5	26 1/2	4 1/2	3	11 5/8
LU54	60	5	26 1/2	4 1/2	3	11 5/8



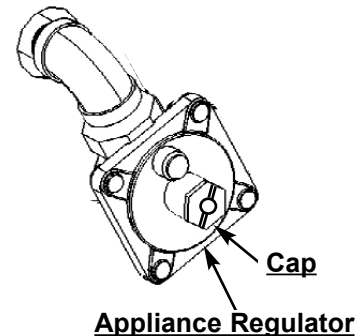
Utility Requirements

PROPANE (LP) or NATURAL GAS ONLY

Your grill is equipped to use either propane (LP) or natural gas (NAT).

It is very important that the grill rating plate agrees with that of the gas supply.

The rating plate is located either under the drip tray, the heat shield behind the front panel (remove smoker tray) or on the inside left cabinet wall (most freestanding grills). Do not attempt to operate the grill on any gas other than what the grill is orificed for and what the regulator is set for. The regulator cap must be turned over to change gas types. For connection to an LP tank, the grill comes equipped with a high capacity LP Regulator/hose assembly (Type 1). **Never connect an unregulated gas line to the grill.**



L.P. Gas Hook Up (Type 1 or QCC1 regulator):

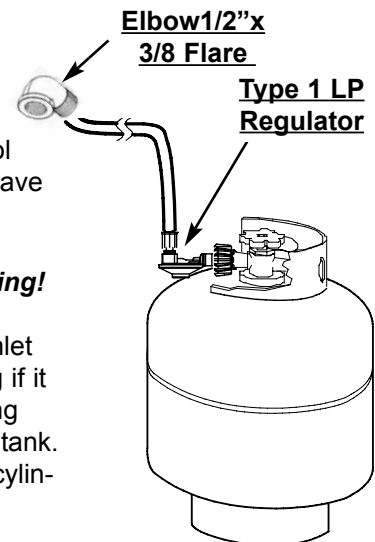
Grills orificed for use with L.P. gas come equipped with an LP hose/regulator assembly for connection to a standard 20 lb. L.P. cylinder (Type 1). The L.P. tank is not included. Connection: 1/2" NPT male with a 3/8" Flare adapter. LP Hose and fittings are included. Operating pressure: 10.0"W.C.

Connect the 3/8" flare end of the L.P. hose to the brass adapter on the manifold. Connect the Regulator to the tank (with the tank valve fully closed). Although the flow of gas is stopped when the Type 1 system is disconnected, you should always turn the L.P. tank main valve off after each use and during transport of the tank or unit. Insert the regulator inlet into the tank valve and turn to the black coupler clockwise until the coupler is tight.

Do not over-tighten the coupler.

To purge gas line: Make sure all controls are in the OFF position. Turn the main tank valve on SLOWLY and turn one burner control valve on the unit to the "light" position (DO NOT LITE GRILL). Leave control ON for about 20 seconds to allow the air in the system to purge. Wait 10 minutes before attempting to light the burners.

Do not attempt lighting the grill within 10 minutes after purging! To disconnect the coupler, first make sure the main tank valve is turned off. Grasp the coupler and turn counter clockwise. The inlet will then disengage, remove the inlet from the tank valve opening if it has not already done so when it disengaged. Your local L.P. filling station should be equipped with the proper equipment to fill your tank. If trading your tank in, always ensure to obtain only Type 1 20lb cylinders with an overfill protection device.



Utility Requirements

L.P. Tank Requirements: *A dented or rusty L.P. tank may be hazardous and should be checked by your L.P. supplier. Never use a cylinder with a damaged valve. Always check for leaks after every L.P. tank change.*

The L.P. gas cylinder must be constructed and marked in accordance with the specifications for L.P. gas cylinders of the U.S. Department of Transportation (DOT) and designed for use with a Type 1 system only. Do not change the regulator/hose assembly from that supplied with the unit or attempt to use a 5LP-A equipped regulator/hose assembly with a standard 510 POL tank/valve assembly. The cylinder must be provided with a shut off valve terminating in an L.P. gas supply cylinder valve outlet specified, as applicable, for connection Type 1.

If the appliance is stored indoors the cylinder must be disconnected and removed from the appliance. Cylinders must be stored outdoors in a well-ventilated area out of the reach of children.

Turn off LP-gas supply at cylinder when appliance is not in use. / ***Fermez l'alimentation en GPL à la bouteille si l'appareil ne fonctionne pas.***

The LP-gas supply cylinder must be disconnected when this appliance is not in use. / ***La bouteille de GPL doit être déconnectée si cet appareil ne fonctionne pas.***

Natural Gas Installations:

The installation of the grill must conform with local codes or, in the absence of local codes, to the National Fuel Gas Code ANSI Z223.1-1988 or latest edition. If installed in Canada, installation must be in accordance with Gas Code CAN/CGA B149, 1 or .2 and local codes.

The gas supply line must be sized to accommodate all the gas-fired equipment that may be connected to that supply, i.e. total BTU output to be consumed, needs to be determined so as to calculate what size diameter pipe is needed, for the total length of pipe from the gas main (at house) to grill hook-up. If the gas line is too small, the grill will not function properly.

An installer-supplied gas shut-off valve must be installed in an easily accessible location. All installer-supplied parts must conform to local codes with the National Electrical Code, ANSI/NFPA 70-1990 and the National Fuel Gas Code, ANSI Z223.1-1988.

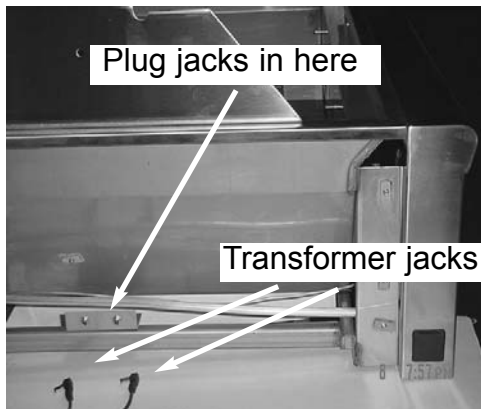
The appliance and its individual shut off valve must be disconnected from the gas supply piping system during any pressure testing of that system at test pressures above 1/2" PSIG (3.5KPA). The appliance must be isolated from the gas supply piping system by closing its individual manual shut off during any pressure testing. Do not apply threading compound to the first two pipe threads as to avoid clogging of the burner valves and orifice. Do not put sealant on any male end of flare fittings.

Utility Requirements

Electrical Requirements for Built-in Units:

Installation should include an outdoor 120VAC 15A GFI electrical outlet located adjacent to the grill. Do not locate motor or outlet on the same side as a Side Burner unless a minimum of 12" clearance is provided. Simply plug in the electrical cord from the transformer provided, into a GFI equipped outdoor outlet.

Professional Models Only: The power source should be a GFI outlet for plugging in the cord from the transformer (supplied). The transformer reduces the voltage to 12 Volts for the light and rotisserie motor. A qualified electrician can install a GFI outlet inside the island enclosure for built-in units. The transformer has 2 output leads with jackplugs on the end. These jackplugs must be plugged in to the 2 female jacks mounted on the bottom rail of the grill on the lower left side approximately half way towards the rear of the unit*. The 2 jackplugs are interchangeable and can be plugged in to either of the female jacks. These supply the power to the light and rotisserie motor jack.



Professional Series Units

*Plug both output jacks from the transformer into the panel mounted on left side of grill.

WARNING

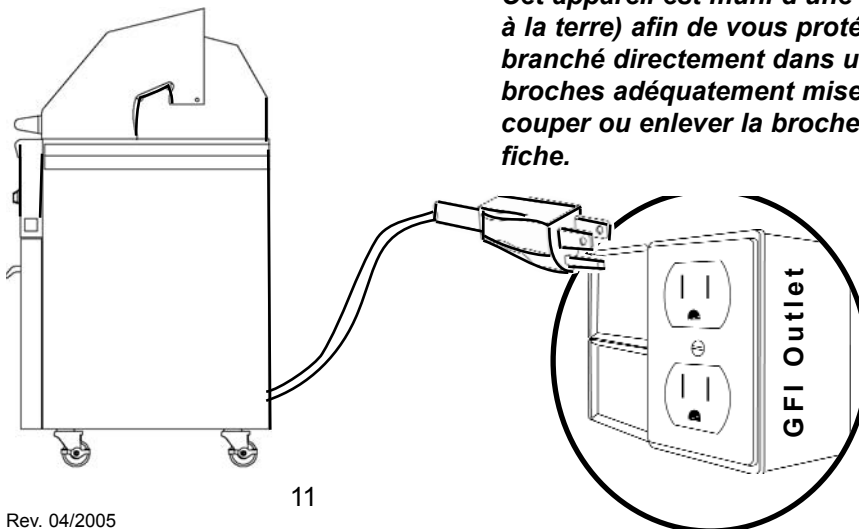
Electrical Grounding Instructions:

This outdoor cooking gas appliance is equipped with a three-prong (grounding) plug for your protection against shock hazard and should be plugged directly into a properly grounded three-prong receptacle. Do not cut or remove the grounding prong from this plug.

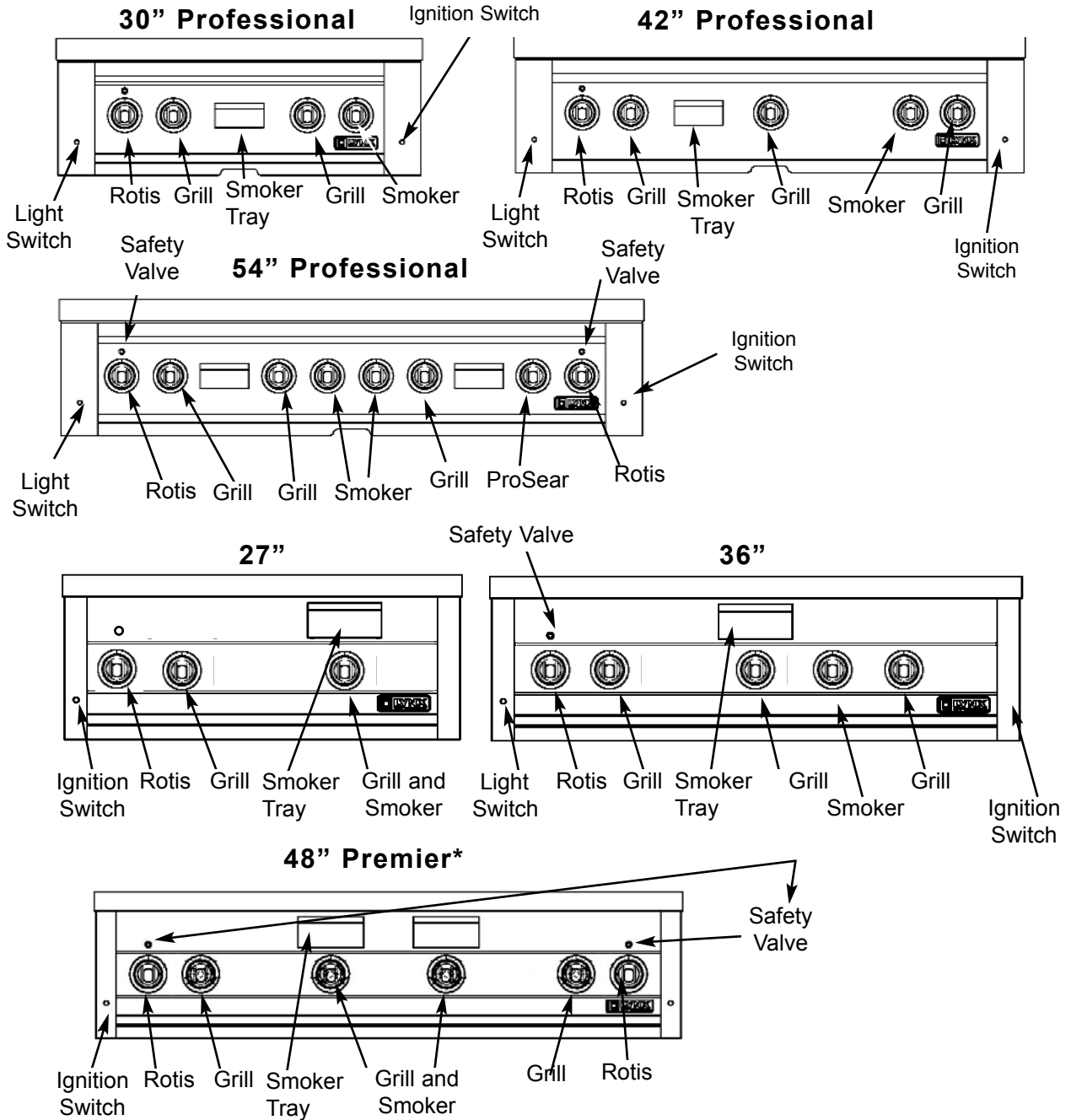
AVERTISSEMENT

Instruction pour la mise à la terre électrique.

Cet appareil est muni d'une fiche à trois broches (mise à la terre) afin de vous protéger des chocs et doit être branché directement dans une prise de courant à trois broches adéquatement mise à la terre. Il ne faut pas couper ou enlever la broche de mise à la terre de cette fiche.



Features and Identification



* 48" Premier has (2) Rotis Burners and (2) Smoker Trays

Features and Identification

Replacing Ignition Batteries

Professional and Premier Models

Locating the battery: The battery is located in a sealed compartment on the left-hand side of the control panel.

To change the battery:

1. Disengage the battery compartment by pushing the battery cover up on Professional models and towards the front of the grill on Premier models (as shown).

(Note: The directional arrow on the battery cover indicates which direction to push and disengage)



2. The battery compartment will disengage and protrude so that you may pull and remove the battery and battery compartment.

3. Pull and remove the battery and battery compartment completely.

4. With the battery compartment removed you may remove and replace the 9-volt battery.

5. After inserting the 9-volt battery into the battery compartment, insert the battery compartment into the battery compartment slot and gently push with your index finger until it engages.

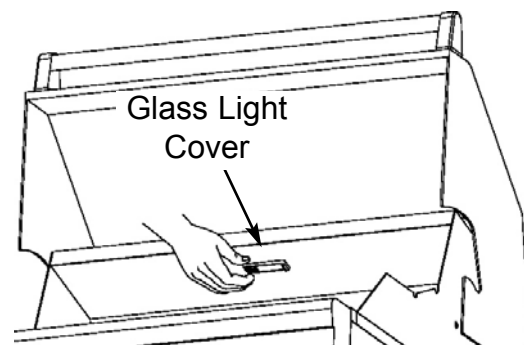


To change light bulbs:

Remove the Glass Light Cover by grasping the edge of glass and pry it off. It may be necessary to remove one screw. Pull the old bulb straight out from socket, do not twist.

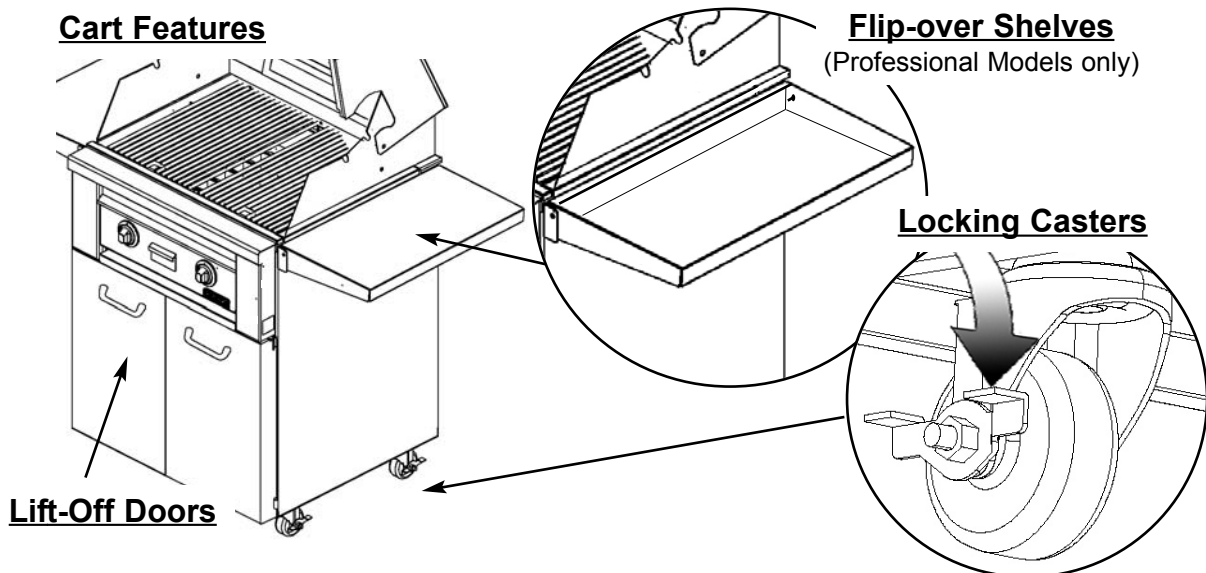
Replace with 12v, 5 watt bulb of similar pin type socket design and always avoid touching the glass of new bulbs.

NOTE: Use only pin style 12v. 5 watt bulbs.



Features and Identification

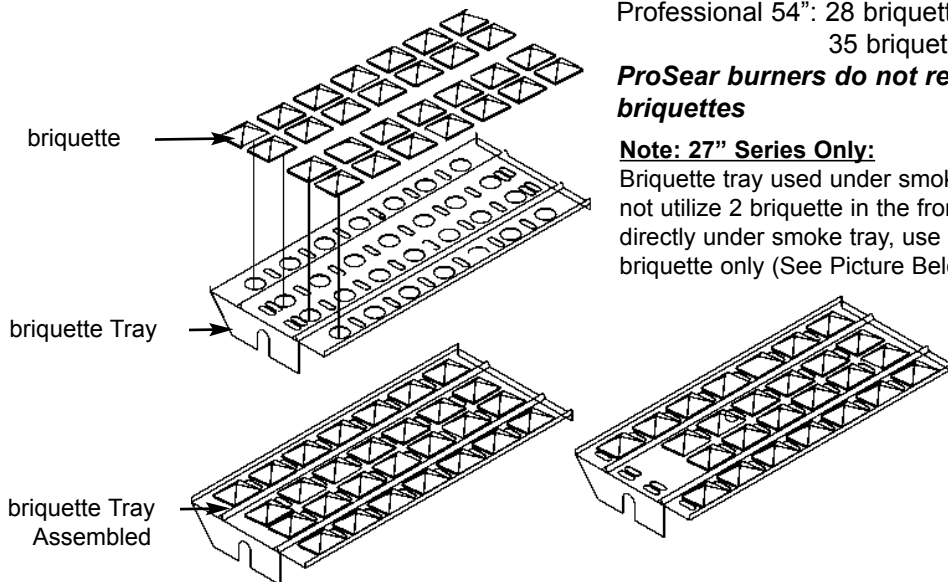
Cart Features



Briquette Placement

Note: All Models

Place briquette over each round hole as shown and ensure they are positioned between the raised slots in the tray



27" & 36" Models: 28 briquette per tray

Professional 30": 35 briquettes per tray

Professional 42": 28 briquettes middle tray

35 briquettes L & R trays

Professional 54": 28 briquettes middle trays

35 briquettes L tray

ProSear burners do not require trays or briquettes

Note: 27" Series Only:

Briquette tray used under smoker does not utilize 2 briquette in the front middle directly under smoke tray, use a total of 26 briquette only (See Picture Below).

Features and Identification

Hood Thermometer

Professional Series Only:



All Professional Series Grills are equipped with a hood thermometer. This thermometer will provide an indication of temperatures within the grill. Temperature readings are affected by opening and closing the hood and only indicate general temperatures in the grill cooking area.

The hood should not be left in a closed position for a prolonged period of time when more than one burner is on high. The temperatures should never be in the “red zone” on the thermometer scale.

To measure actual cooking temperatures at the cooking grid, place an oven thermometer on the cooking grids. For good food safety, use an internal meat thermometer and use cooking guidelines available at such websites as: www.foodsafety.gov

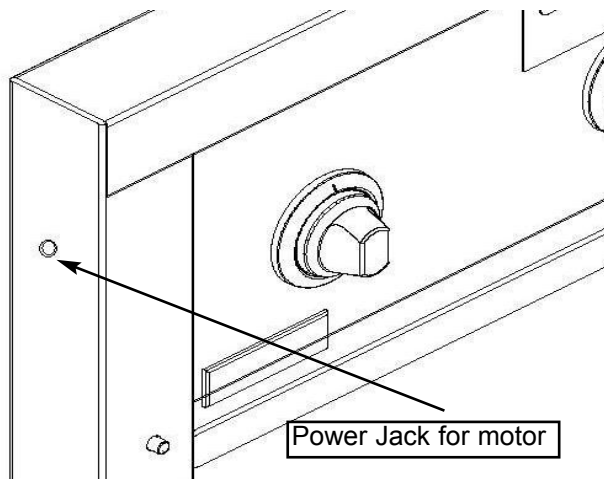
Caution

The hood thermometer is only a guide for temperatures when using indirect cooking methods. Actual grate surface temperatures will be much hotter! Use a grill surface thermometer for actual cooking temperatures and monitor food product at all times.

Rotisserie Motor Connection

The rotisserie motor provided has a combination on/off 3-speed switch which allows you to select the turning rate of the spit rod. The motor is a 12 volt DC motor.

The “L” shaped power supply jack is plugged directly into the motor. Plug the other end into the jackplug located on the left side of the vertical bullnose. This convenient hook-up allows for simple installation and removal of the motor for storage when not in use.



Lighting Instructions

WARNING! Before lighting:

Prior to using grill please remove tie down wires on brass burners.

Inspect the gas supply piping or hose prior to turning the gas "on". If there is evidence of cuts wear, or abrasion, it must be replaced prior to use.

The replacement pressure regulators and hose assembly must be the type specified by the manufacturer. Do not use the grill if the odor of gas is present. The pressure regulator and hose assembly supplied with the unit must be used. If the unit is L.P., screw the regulator into the tank and leak check the hose and regulator connections with a soap and water solution before operating the grill. Turn all knobs to "off" then SLOWLY turn on the gas supply valve.

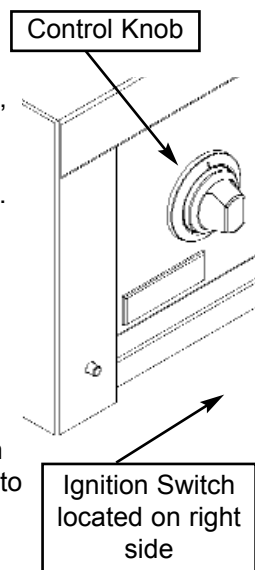
Always keep your face and body as far away from the grill as possible when lighting. Do not attempt to "Light" the grill if the odor of gas is present. Call for service. Always wait at least 5 minutes before relighting a hot grill.

Grill Burners

To Light:

Open the lid, push and hold the ignition button, on the right side, for 5 seconds. You should hear a "clicking" sound. If not, turn all knobs to "OFF" and check ignition battery (see page 12).

Turn burner control knob to light. If the burner does not light in 4 seconds, turn knobs to "OFF".

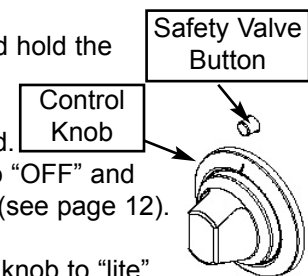


Rotis Burner (not all models)

To Light:

Open the lid, push and hold the ignition button for 5 seconds. You should hear a "clicking" sound. If not, turn all knobs to "OFF" and check ignition battery (see page 12).

Turn the Rotis control knob to "lite". Hold the safety valve button in for about 4 seconds then Press and hold the igniter button. *This is the only burner on the grill with a safety valve.* Once lit, turn control knob to desired setting. If the burner does not light within 4 seconds, release the safety valve button and turn the control knob to "OFF". Once lit, the rotis burner should reach cooking temperatures in about 1 minute. The orange/red glow will even out in about 5 minutes.



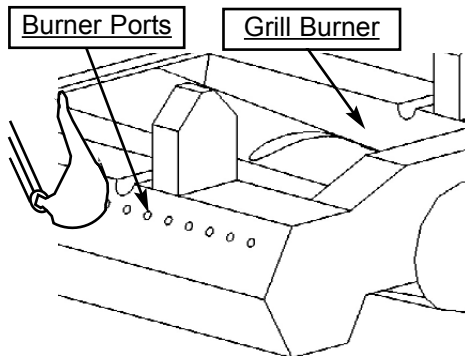
If burners will not light after several attempts, see the instructions on match lighting on next page.

Always wait at least 5 minutes before relighting a hot burner!

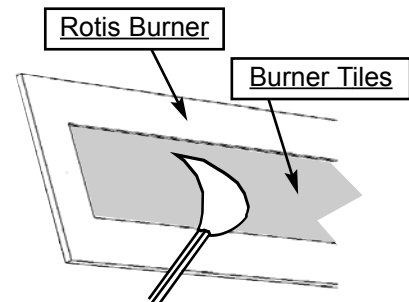
Match Lighting

Match Lighting: If burners will not light after several attempts, the burners can be match lit. If you've just attempted to light the burner with the igniter, allow 5 minutes for any accumulated gas to dissipate.

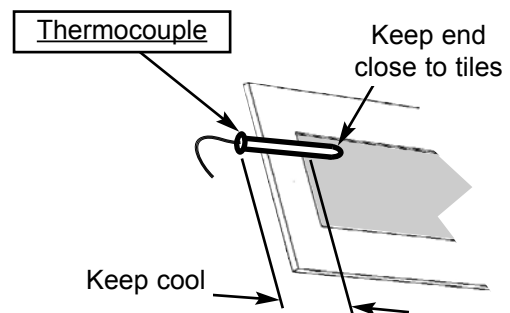
Grill Burners: *Make sure all knobs are in the OFF position.* Keep your face as far away from the grill as possible. With the Lid open, pass a lit, long stemmed match to the ports of the burner. Push and turn the corresponding control knob of the burner to "Lite". If the burner does not light in 4 seconds, turn the knob off and wait 5 minutes before attempting again.



Rotis Burner: *Make sure all knobs are in the OFF position.* With the Lid open pass a lit, long stemmed match to the burner tiles of the Infra-Red burner. Push and turn the Rotis control knob to "Lite" then press and hold the safety valve button. If the burner does not light in 4 seconds, turn the knob off and wait 5 minutes before attempting again.



If the burner stays lit only while holding the safety button, it may be adjusted (after it has cooled) as shown.



Burner Adjustments

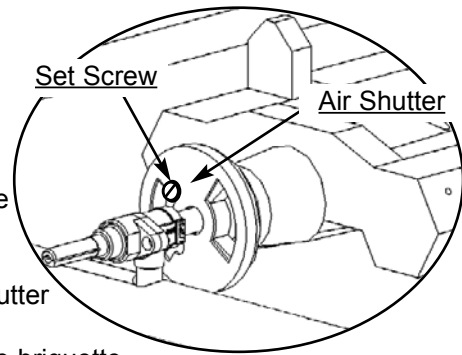
Burner Air Adjustment:

Each grill burner is tested and adjusted at the factory prior to shipment; however, variations in the local gas supply or a conversion from one gas to another may make it necessary to adjust the burners. The flames of the Grill burners should be visually checked and compared to that of the drawing below. Flames should be blue and stable with no yellow tips, excessive noise or lifting. If any of these conditions exist, check if the air shutter or burner ports are blocked by dirt, debris, spider webs, etc. Proceed with air shutter adjustment.

The amount of air which enters a burner is governed by a sheet metal cup or disk at the inlet of the burner called an air shutter. It is locked in place by a set screw which must be loosened prior to lighting the burner for adjustment.

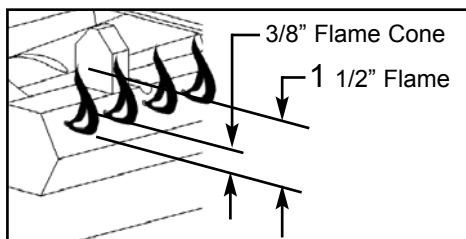
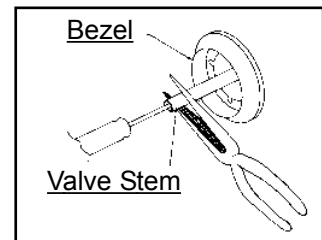
To Adjust:

1. Be extremely careful as the burner may be very hot.
2. If the flame is yellow, indicating insufficient air, turn the air shutter counterclockwise to allow more air to the burner.
3. If the flame is noisy and tends to lift away from the burner, indicating too much air, turn the air shutter clockwise.
4. Once adjusted turn the burner off and install the briquette trays and grill racks.



Low Setting Adjustments:

The valves on the grill feature an adjustable low setting. Due to fluctuations in gas pressure, heating value or gas conversion, you may feel it necessary to increase or decrease gas flow in the low position. We do not recommend adjusting the infra-red rotis burner.



To Adjust:

1. Light the burner.
2. Turn the control knob to the lowest setting (all the way counter-clockwise).
3. Remove the knob.
4. While holding the valve shaft with pliers, insert a thin flat tipped screwdriver into the shaft and while viewing the burner adjust to a minimum stable flame.

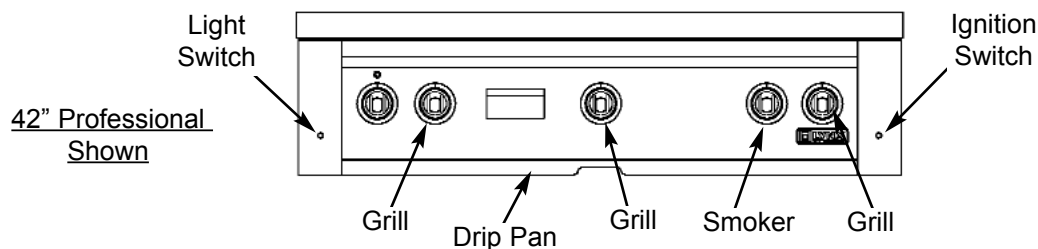
Using The Grill

Using The Grill:

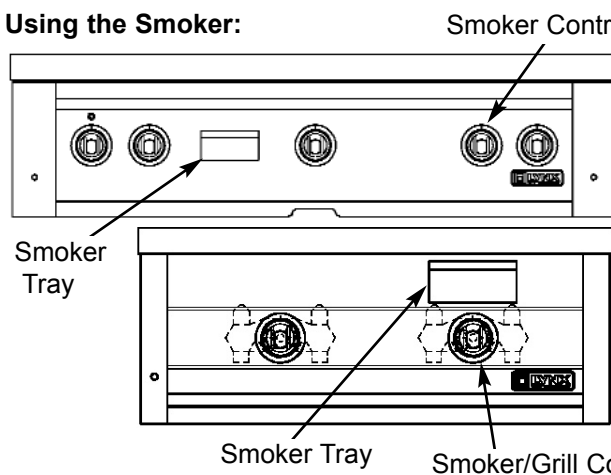
Grilling requires high heat for searing and proper browning. Most foods are cooked at the "HI" heat setting for the entire cooking time (with the lid open). However, when grilling large pieces of meat or poultry, it may be necessary to turn the heat to a lower setting after the initial browning. This cooks the food through without burning the outside. Foods cooked for a long time or basted with a sugary marinade may need a lower heat setting near the end of the cooking time.

Indirect cooking is achieved by placing the food only on one side of the grill. Leave the burner below the food "OFF" and an adjacent grill burner on "HI". Keep the lid closed as much as possible and regulate the heat with the burner control.

1. Check to be certain the drip tray is in place and does not contain debris.
2. Light the burners using the instructions in the previous section.
3. Turn **all** main burners to "HI" and preheat the grill for 10-15 minutes. Once grill has been preheated, turn off any burners not required for cooking. The top cover should be closed during the preheat period and open during high heat grilling.
4. Place the food on the grill and cook to the desired doneness. Adjust heat setting as required. The control knob may be set to any position between "HI" and "LO" .



Using the Smoker:



The smoker system on **Professional Models** utilizes a dedicated, low BTU burner for precise control. There are (2) smoker systems on 54" Grills.

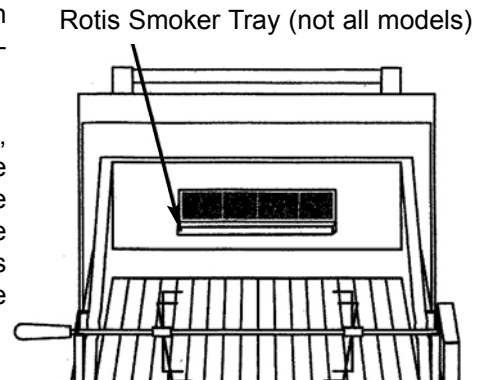
The Smoker system on **27" Models** utilizes the Brass Grill Burner for controlling the Smoker.

Both systems use stainless steel slide-out Smoker Trays.

Using The Grill

Using the Smoker (continued): Units equipped with the optional Rotisserie include a smoker/seasoning tray located beneath the Infra-Red Rotisserie Burner.

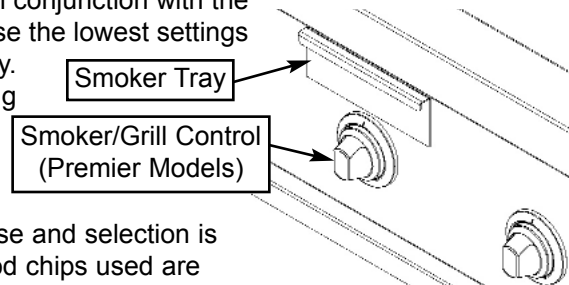
After deciding which wood chips to use (see chart below), soak them in water then place them into the tray. Light the Smoker (or Smoker/Grill on Premier Models) and leave on "high" setting for five (5) minutes. This will initiate the smoker and should be lowered to avoid burning the chips too fast. Adjust to appropriate cooking setting then place the food on the grill.



Keep the lid closed as much as possible will maximize the smoking effect.

To minimize burn potential do not remove the smoker tray when hot.

The system may be used alone for low temperature roasting and smoking or in conjunction with other burners. When using the smoker system in conjunction with the optional rotisserie burner you'll find it helpful to use the lowest settings and stagger the meat away from the Smoker Tray. The Tray can also be used for steaming by filling with water.



Wood Chips:

There are many wood chips available for purchase and selection is based on personal taste. The most common wood chips used are mesquite or hickory. Mesquite has a sweeter taste and is commonly used with poultry and seafood. Hickory is best suited for red meats. Use of oak, cherry, maple, aspen or apple is also common while aromatic herbs like sage, bay leaves, thyme or basil may also be used.

Alder: A medium, tart smoke taste. Superb on salmon and other fish, chicken or game.

Maple: Sweet, hearty smoke flavor. Best with fish, jerky or bacon.

Apple: A light, sweet flavor. Superb with poultry, ham or sausage.

Hickory: Heavy smoke flavor. Best with beef, pork or game.

Mesquite: A light smoke flavor. Best with fish, poultry or beef.

Oak: Heavy smoke flavor. Best with beef, lamb or pork.

Pecan: A rich, sweet, versatile flavor. Can be used with anything.

Grapevine: A strong smoke flavor. Best with beef or poultry.

Using The Rotisserie

General:

The location of the rotis burner makes it more susceptible to strong wind conditions, more so than the protected grill burners. For this reason you should avoid operating the rotis during windy conditions. As an added safety feature we've equipped the burner with an automatic safety valve which will not allow gas to flow to the rotis burner unless the following conditions are present with the knob on:

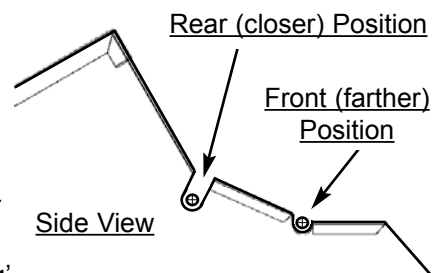
1. The safety valve button is pressed and held down.
2. Only the tip of the safety valve thermocouple has been sufficiently heated to keep safety valve open. The "cold junction" must be protected from the intense heat to keep the valve open.

Rotisserie Motor:

The rotisserie motor provided has a combination on/off 3-speed switch which allows you to select the turning rate of the spit rod. The motor is a 12 volt DC motor. The "L" shaped power supply jack is plugged directly into the motor. Plug the other end into the jackplug located on the left side of the vertical bullnose. This convenient hook-up allows for simple installation and removal of the motor for storage when not in use.

Dual Position Rotisserie:

The rotisserie spit rod can be placed in two different positions to accommodate different cuts of meat. The closer position would be best utilized for items such as game hens or other small fowl. Use the farther position for 'slow cooking'



Skewer (Spit) Rod:

The skewer for the rotis is assembled into the motor assembly by placing the pointed end into the motor, and resting the threaded end on the support at the opposite side of the grill. With the skewer pushed into the motor, it should rest on the bracket.

To load the skewer, begin with the handle in place and slide one of the meat holders (prongs facing away from the handle) onto the skewer. Push the skewer through the center of the food, then slide the second meat holder (prongs toward the food) onto the skewer. Center the product to be cooked on the skewer then push the meat holders firmly together. Tighten the wing nuts (use pliers if necessary). It may also be necessary to wrap the food with butchers string (never use nylon or plastic string) to secure any loose portions. Once the food is secure insert the skewer into the motor.

Remove the warming rack and, if needed remove the grill racks and briquette trays to gain better clearance. It is normal for the skewer to flex when cooking large foods. Place a basting pan beneath the food for basting and to ease cleaning. Never operate a Grill Burner with a basting pan in place. The rotis motor is capable of turning up to a 25 lb. cut of meat or poultry.

Burner Removal & Cleaning

Stainless Steel:

The grill is made from non-rusting and non-magnetic stainless steel. After initial usage, areas of the grill may discolor from the intense heat given off by the burners, this is normal. There are many different stainless steel cleaners available. Always use the mildest cleaning procedure first, scrubbing in the direction of the grain. To touch up noticeable scratches in the stainless steel, sand very lightly with dry 100 grit emery paper in the direction of the grain. Specks of grease can gather on the surfaces of the stainless steel and bake on to the surface and give the appearance of rust. For removal use an abrasive pad (Scotch Brite is good) in conjunction with a stainless steel cleaner. Always rub in the direction of the grain.

The best maintenance for stainless steel is to wipe it down with a damp cloth. This is especially true if a swimming pool is located near the grill. Never use steel "Brillo" pads or similar products as these will leave traces of material behind. This material will quickly rust and is not a defect in the Grill.

NOTE: Before removing burners ensure the gas supply is off and the knobs are in the "off" position. Make sure the grill has completely cooled before proceeding.

Grill Burners:

Remove the grill racks and radiant trays. Grasp the burner, pull it up and slightly to the rear of the unit so the burner head comes off the brass orifice at the front. Angle the burner sideways, and remove. Be careful not to upset the air shutter position.

Burner Cleaning:

Clean the exterior of the burner with a wire brush. Clear stubborn scale with a metal scraper. Clear any clogged ports with a straightened paper clip. Never use a wooden toothpick as it may break off and clog the port. Shake out any debris through the air shutter. Use a flashlight to inspect the burner inlet to ensure it is not blocked. If obstructions can be seen, use a metal wire coat hanger that has been straightened out.

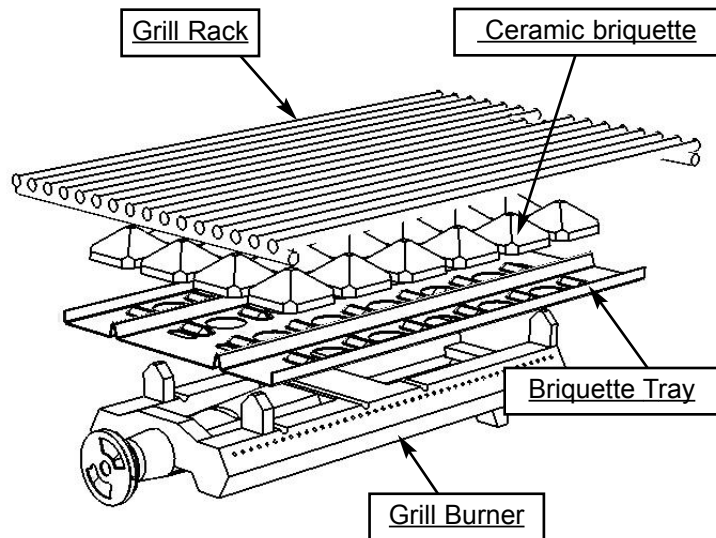
Burner Removal & Cleaning

Orifice Cleaning:

With the burner removed, remove the orifice and shine a flashlight through the opening to ensure there is no blockage. Use a needle to clear any debris. Be extremely careful not to enlarge the hole or break off the needle.

Reassemble The Burners:

Replace the burner by sliding the air shutter over the brass orifice, centering it in the hole. Be careful not to upset the air shutters original position (unless readjusting). Lower the rear of the burner onto the support channel at the rear of the burner box. Make sure it is level and does not rock. Light all of the burners and check for proper flame characteristics. If adjustments are necessary, refer to the Adjustments Section (page 10).



It is critical to center the burners on the orifices properly. If the burners are not centered correctly, a very dangerous condition exists that can cause personal injury and damage to the product.

SPIDER AND INSECT WARNING!!!

Spiders and insects can nest in the burners of this or any other grill, and cause the gas to flow from the front of the burner. This is a very dangerous condition which can cause a fire to occur behind the valve panel, thereby damaging the grill and making it unsafe to operate.

Supplement ProSear Models

L 30(A)PS(F)R
L 42 PS(F)R
L54PS(F)R
L30PSPOD
LPSGE
(ProSear Grill Extender)



Supplement ProSear Models

SAFETY INSTRUCTIONS

WARNING! Read the 'User Manual / Installation Instructions' carefully and completely before using your grill to reduce the risk of fire, burn hazard or other injury, making sure of proper installation and servicing.

ProSear Infrared Grill

The ProSear Grill has some special components and warnings specific to its' design. Be sure to read this supplement completely before using your grill.

L30PS POD

The operation of this is identical to the L30PSR except it does not have a rear rotisserie burner. **Be sure to always replace the cover provided when POD is not in use.**

Special Safety Precautions

1. Do not light the grill until you have carefully read and understood the lighting instructions.
2. Ensure that burner ties and packing materials are removed before lighting the burners
3. Do not allow water to spill on the IR burners. Never allow water to contact the hot burners. This will damage the burners and will not be covered by the product warranty
4. Special care should be exercised to avoid dropping any liquids on the hot burners when cleaning the cooking grids.
5. The cooking grids are heavy. Extra caution must be used when removing or replacing the cooking grids. The tiles within the IR burner(s) will be permanently damaged if a cooking grid or other object come into contact with said tiles. Such damage is not covered by the product warranty.

ProSear Grill Extender **LPSGE**

For Installation instructions and gas hook-up, refer to the Manual shipped with this product.

For cabinet mounted installations refer to the installation booklet shipped with the cabinet installation kit.

Cautions:

1. In windy conditions remove the lid from the unit. Simply release hinge latch at rear and slide out of remaining hinge pin.
2. Allow product to cool down after use before grasping handle to lower lid - handle may be warm.

Supplement ProSear Models

Lighting Instructions

Purging the Grill

When lighting the grill for the first time or after switching LPG tanks it is necessary to purge the gas train.

Once the gas connection is complete check that all knobs are turned off. (*for LPG, slowly open the valve on the tank.*)

Open the lid and turn the Rotiss. knob to lite and hold in the red IR Safety button, without pressing the ignition button, until you can detect the smell of gas. Release the safety button and wait a few minutes for the gas smell to clear.

Once again, hold in the red IR button and this time press the ignition button until the rotisserie burner lights. Continue to hold the red button in for about 20 - 30 seconds at which point you can release it and the burner should remain lit. This confirms the grill has been purged. Turn the Rotisserie knob to the "off" position.

If the burner does not light after 4 seconds, turn the knob to off and wait 5 minutes before trying again.

Lighting the Grill

Turn the right burner knob to "Lite" and at the same time, push and hold the ignition button. You will hear a clicking sound as the burner electrodes spark. Keep the ignition button depressed until the burner is lit.

The IR main burners will normally take 2 to 3 minutes to glow red. Once that occurs adjust the knob to the desired heat setting.

Repeat this process for the other IR burner. If the burner does not light after 4 seconds, turn the knob to off and wait 5 minutes before trying again.

Cold Weather Warning - LPG Units

If lighting the main IR burners in extremely cold conditions there may be a possibility of 'burn back'. Upon ignition, if you hear a 'whooshing' sound immediately turn the burner knob to off. This will extinguish the burner.

If burner does not light after several attempts, see the instructions on match lighting on next page.

Supplement ProSear Models

Match Lighting:

If burners will not light after several attempts, the burners can be match lit. If you had already attempted to light the burner with the igniter, allow 5 minutes for any accumulated gas to dissipate prior to lighting with match.

Main IR burners:

Make sure all knobs are in the OFF position. Keep your face as far away from the grill as possible. With the Lid open, pass a lit, long stemmed match to the front center area of the IR burner where the electrode igniter is positioned. Push and turn the corresponding control knob of the burner to "Lite". If the burner does not light in 4 seconds, turn the knob off and wait 5 minutes before attempting again.

Rotisserie Burner:

Refer to main User Manual for instructions on match lighting the IR Rotisserie burner.

Burner Cleaning

After each use, it is important to operate the burners on "HI" with the grill lid open to burn away any food particles or drippings. Operate the burners on "HI" for 5 minutes.

Some ash may accumulate on the burner surface over time. Occasionally, you should brush, blow or vacuum this debris from the surface of the burner. Only perform this operation when the burners are cool and do so carefully.

Every 3 to 6 months, inspect the burner venturi (inlet) to ensure there are no obstructions. If any obstructions can be seen, then use a bottle brush to clean out the venturi area.

ProSear Burner Positioning

If you move an IR burner it is extremely important to re-position it correctly so that it is precisely centered on the orifice and is sitting level before attempting to light the grill.

Positioning the burners:

Replace the burner by sliding the bracket at the front over the brass orifice and setting the rear bracket of the burner in to the slots of the rear burner hanger. **IT IS CRITICAL TO CENTER THE BURNER ON THE ORIFICE AND FOR THE BURNER TO REST LEVEL AND NOT ROCK.**

Lynx Side Burners & ProSear Grill Extender



Models

LSB1, LSB2 - Built In Burners
LPSGEKIT - Cabinet Mtg. Kit
LPSGEBKT - Premier Grill Adapter

LCB1, LCB2

LSB2PC - Two Burner Prep Center

LPSGE - ProSear Grill Extender

Lynx Side Burners & Grill Extender

MOUNTING THE SIDE BURNER / GRILL EXTENDER TO A CART

1. Remove the components and hardware for Cart Mount Adaptor Kit (LPSGEKIT) from carton. Contents include the following:

- Adaptor cabinet (3 sided)
- Rear panel
- Cart-mounting bracket (27" and 36" applications required alternate bracket / LPSGE BKT)
- 1/4 - 20 screws (x11) - Note: 4 additional screws provided for Side Burner (LSB1 & LSB2) cart mounting. See item 11 below.
- Flex-line kit

Important Note: When mounting the ProSear Grill Extender (LPSGE) or Side Burner (LSB1 or LSB2) and Cart-Mount Adaptor Kit (LPSGEKIT) to a 27" or 36" Freestanding Grill a Cart-Mount Bracket (LPSGEBKT) is required.

2. Place adaptor cabinet on a level workstation with the open side of the cabinet facing up and welded side-shelf brackets on your right-hand side.

3. Locate the "rear panel" and slide into position on the rear of the cabinet. (When the welded side-shelf brackets are on your right-hand side, the rear of the cabinet is farthest from you.)

4. Attach the rear panel to the cabinet by inserting (2) 1/4-20 screws into the (2) slots located in the lower portion of the rear panel and threading them into the weld-nuts on the cabinet. Be certain the rear panel is secured to cabinet before proceeding.

5. Locate "flex line".

6. Secure the flex line fitting to the manifold and position the elbow in the direction of the connection that will be made at the grill. (See Gas Hook-Up diagram)

Important Note: Use threading compound to make this connection. Threading compound must be LP resistant.

7. Lower the ProSear Grill Extender (LPSGE) or Side Burner (LSB1 / LSB2) chassis into the cabinet and carefully thread flex line through the rear opening of the cabinet. (See flex-line passage in diagram)

7a. When mounting the ProSear Grill Extender (LPSGE) or Side Burner (LSB1 / LSB2) to a 30", 42" or 54" freestanding grill the plumbing must thread through the hole closest to the rear of the cabinet.

Lynx Side Burners & Grill Extender

MOUNTING THE SIDE BURNER / GRILL EXTENDER TO A CART (continued)

7b. When mounting the ProSear Grill Extender (LPSGE) or Side Burner (LSB1 / LSB2) to a 27" or 36" freestanding grill the plumbing must thread through the hole second from the rear of the cabinet. Use the hole cover included with LPSGEBKT to cap the hole closest to rear of cabinet.

Important Note: Make certain that the flex line is not bound, kinked or pinched before proceeding.

8. Be certain that the outer flange of the ProSear Grill Extender (LPSGE) or Side Burner (LSB1 / LSB2) is overhanging the cabinet and that the screw holes are properly aligned on all sides.

9. Insert (3) ¼ -20 screws into the outer flange on the side that does not receive the mounting bracket (opposite the plumbing outlet) and (1) ¼ -20 screw into the rear outer flange to secure to the cabinet to the chassis.

10. Locate the "cart-mounting bracket" (**Note:** 27" and 36" grills require an alternate bracket / LPSGEBKT for mounting) and align the (5) screw holes on bracket with the (5) screw holes on side of cabinet. Secure the bracket to the cabinet and chassis with (5) ¼ -20 screws. Leave all screws loose but snug until proper alignment is achieved.

11. REQUIRED FOR SIDE BURNER CART MOUNTING ONLY - Locate lower stabilizing bracket (labeled 'Side Burner Only') and place into position show in step #5 of Side Burner diagram. Make certain that upper flange of stabilizing bracket is positioned inside (above) bottom rail of Side Burner. Secure with (4) ¼ - 20 screws

12. Tighten all remaining screws.

Lynx Side Burners & Grill Extender

MOUNTING THE ProSear GRILL EXTENDER OR SIDE BURNER TO YOUR FREE STANDING GRILL

1. Remove right-hand side shelf that is attached to the grill cart.
2. Remove the rear access panel from the freestanding grill cart and make primary plumbing connection.
3. Thread plumbing through the right side of the grill cart and lift unit onto the welded brackets located on the right-hand side of the freestanding grill. The mounting pins should engage in the slots on the cart-mounting bracket. (See diagram)

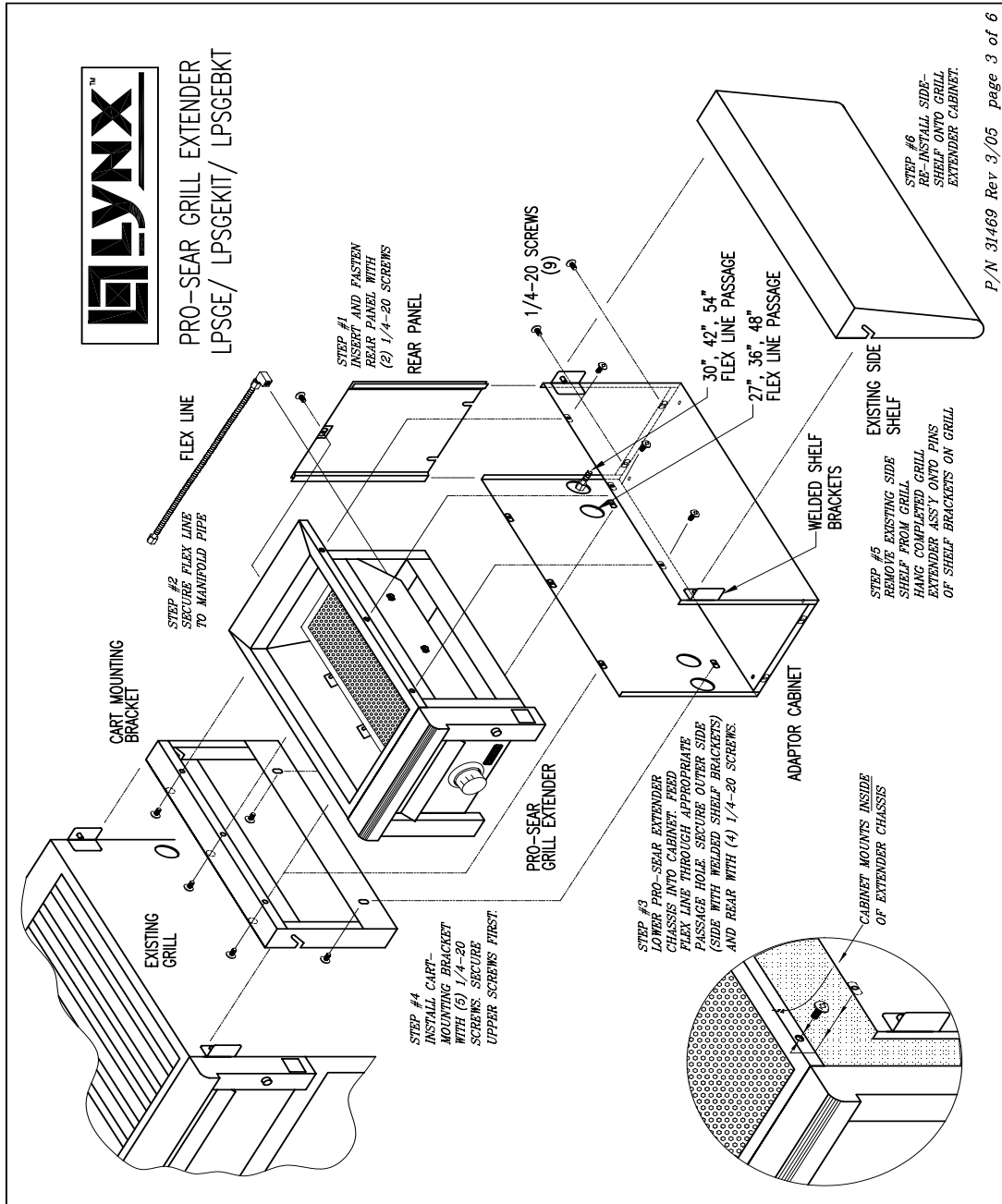
Important Note: Use threading compound to make this connection. Threading compound must be LP resistant.

Important Note: Make certain that the flex hose and other plumbing is not bound, kinked or pinched before proceeding.

Important Note: Check for gas leaks at the connections with a soapy water solution looking for bubbles. If bubbles are present tighten connections and retest.

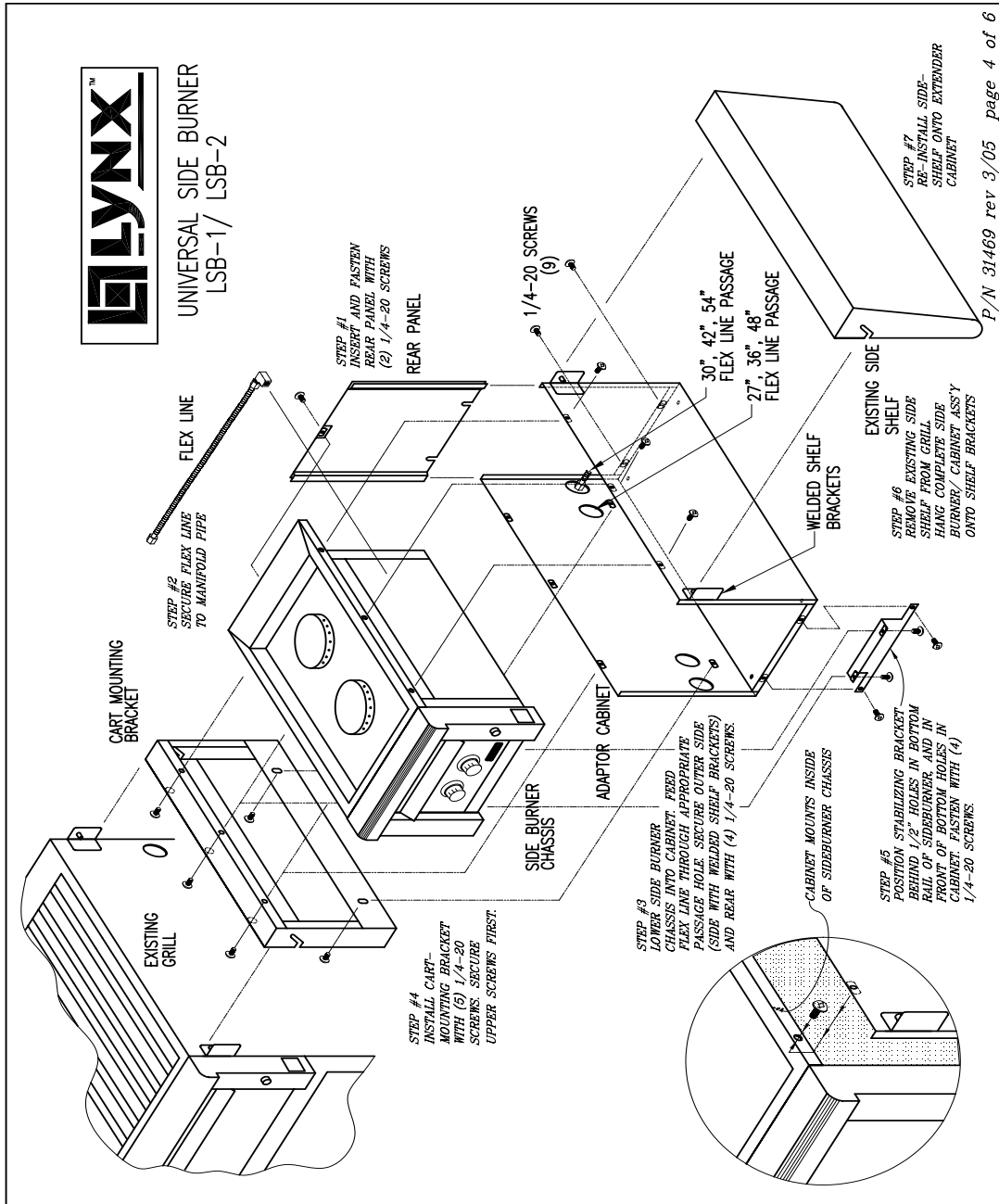
4. Replace the rear access panel on the freestanding grill cart.
5. Reinstall right-hand side shelf onto the ProSear Grill Extender or Side Burner. - Note: LPSGE-BKT for 27" and 36" cart mounting application includes deeper side shelf.

Lynx Side Burners & Grill Extender



P/N 31469 Rev 3/05 page 3 of 6

Lynx Side Burners & Grill Extender



P/N 31469 rev 3/05 page 4 of 6

Lynx Side Burners & Grill Extender

Connecting Side Burners

LP GAS HOOK-UP (see diagram on page 10)

1. Remove the rear access panel (cart models only -4 screws)
2. Remove the propane hose assembly.
3. Remove the 90 degree elbow from the BBQ manifold.
4. Assemble 1/2" TEE fitting (provided) to the BBQ manifold.
5. Assemble 15/16" MIP Flare x 1/2"MIP to the TEE outlet closest to the side burner.
6. Assemble SS flex hose to the fitting just assembled.
7. Assemble 15/16" MIP Flare x 1/2" FIP to the 1/2" Male-Female elbow already installed on the side burner manifold.
8. Assemble 1/2" MIP x 3/8" Flare Fitting to 1/2" Close Nipple.
9. Assemble propane hose / regulator assembly to fitting just assembled.

NATURAL GAS GAS HOOK-UP (see diagram on page 11)

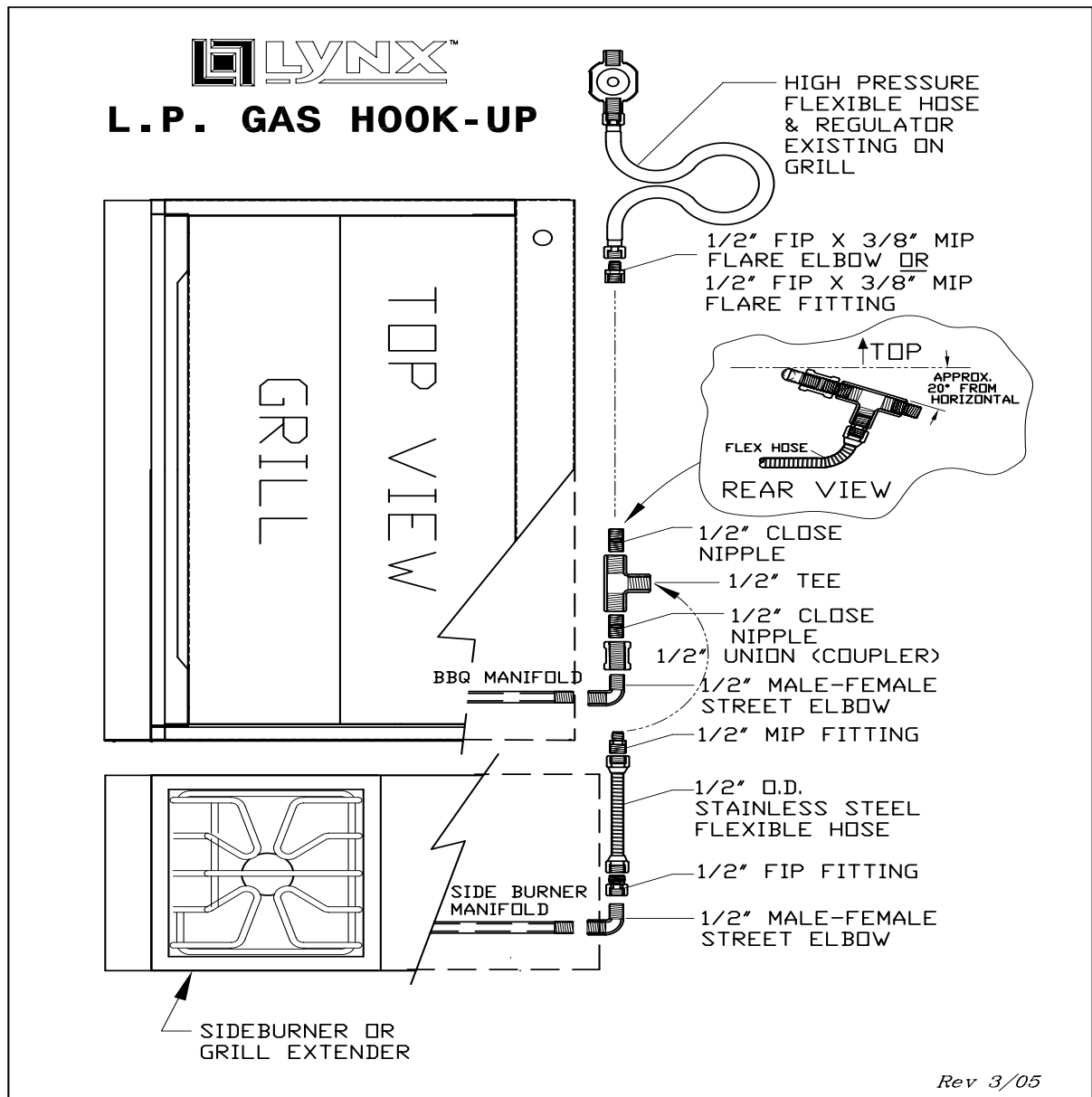
1. Remove the rear access panel (cart models only -4 screws)
2. Remove 90 degree elbow and natural gas regulator from BBQ manifold.
3. Assemble 1/2" TEE fitting (provided) to the BBQ manifold.

4. Assemble 1/2" MIP x 3/8" to the TEE outlet closest to the side burner.
5. Assemble SS flex hose to the fitting just assembled. Assemble other end to the 1/2" MIP x 3/8" fitting on the side burner manifold.
6. Assemble 1/2" close Nipple to other side of the 1/2" TEE.
8. Assemble NG regulator to 1/2" close Nipple. (observe gas flow directional arrow)
9. Assemble gas supply piping to reulator.
10. Ensure a gas shut-off valve is located upstream from the regulator.

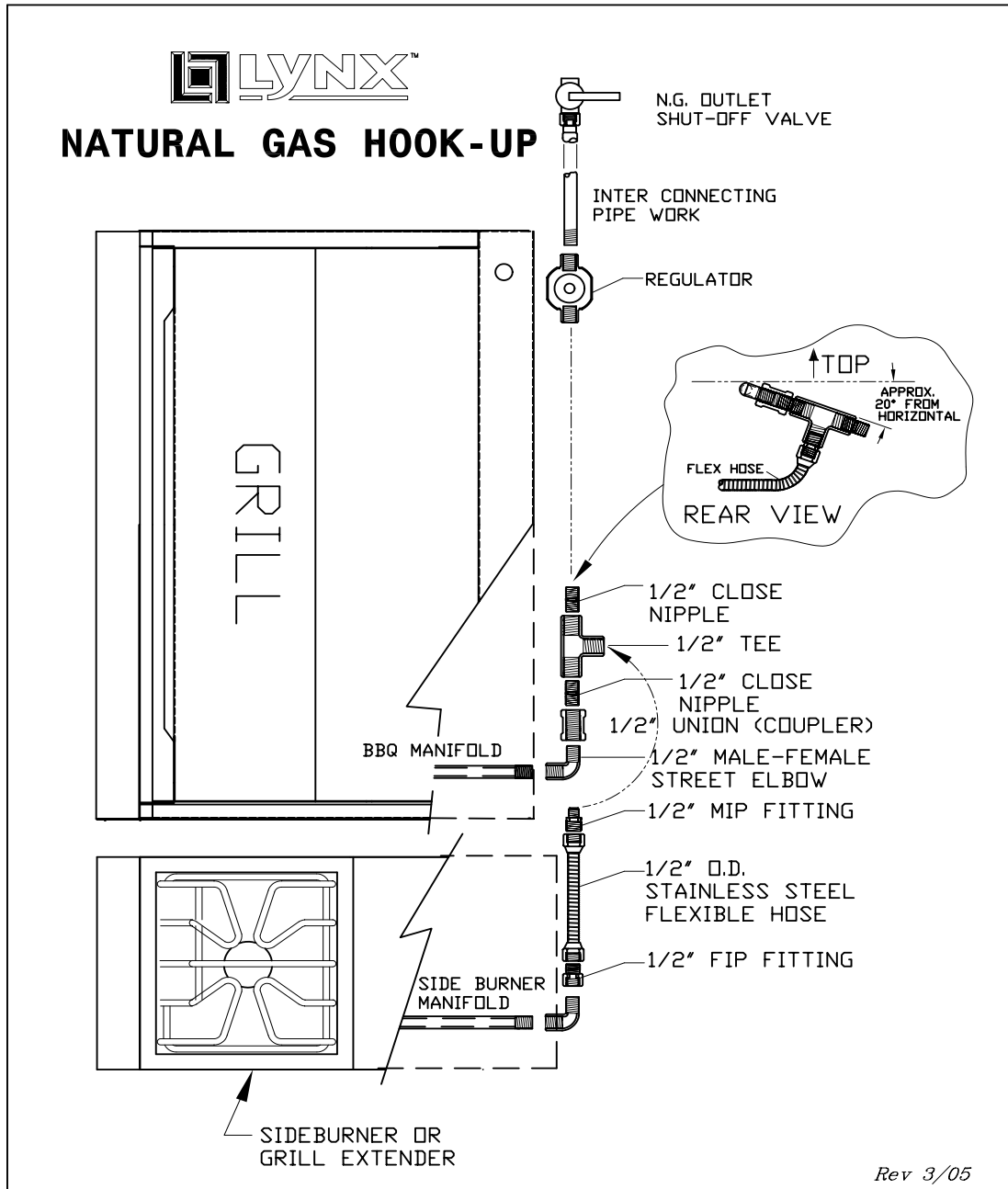
SPECIAL NOTES:

- A) Use pipe dope or teflon tape on all black iron pipe fittings. Do not apply sealant on first two threads of a fitting.
- B) Do not put sealant on any male end of flare fittings.
- C) Check all joints for gas leaks. - see page 6 for instructions.

Lynx Side Burners & Grill Extender



Lynx Side Burners & Grill Extender



Lynx Side Burners & Grill Extender

Lighting Instructions

WARNING! Before lighting:

Prior to using the side burners:

Inspect the gas supply piping or hose prior to turning the gas "on". If there is evidence of cuts wear, or abrasion, it must be replaced prior to use.

The replacement pressure regulators and hose assembly must be the type specified by the manufacturer. Do not use the side burner if the odor of gas is present. The pressure regulator and hose assembly supplied with the unit must be used. If the unit is L.P., screw the regulator into the tank and leak check the hose and regulator connections with a soap and water solution before operating the side burner. Turn all knobs to "off" then SLOWLY turn on the gas supply valve.

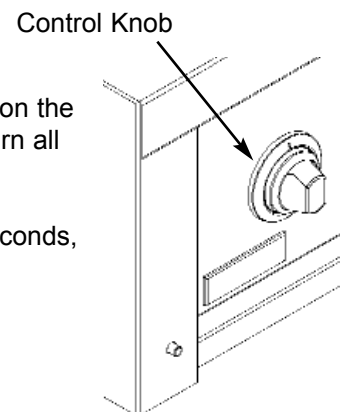
Always keep your face and body as far away from the grill as possible when lighting. Do not attempt to "Light" the side burner if the odor of gas is present. Call for service. Always wait at least 5 minutes before relighting a hot side burner!

Burners

To Light:

Turn the burner knob to "lite" and push and hold the ignition button, on the left side, for 5 seconds. You should hear a "clicking" sound. If not, turn all knobs to "OFF" and check ignition battery (see page 12).

Turn burner control knob to light. If the burner does not light in 4 seconds, turn knobs to "OFF".



Match Lighting: If burner(s) will not light after several attempts, they can be match lit. If you've just attempted to light the burner with the igniter, allow 5 minutes for any accumulated gas to dissipate.

Make sure all knobs are in the OFF position. Keep your face as far away from the burner as possible. Pass a lit, long stemmed match to the ports of the burner. Push and turn the corresponding control knob of the burner to "Lite". If the burner does not light in 4 seconds, turn the knob off and wait 5 minutes before attempting again.

Always wait at least 5 minutes before re-lighting a hot burner!

Service

How To Obtain Service:

Before you call for service:

- 1 Is there Gas Supplied to the Grill?
- 2 Is there a power outage in the area (lights will not work)?
- 3 Have you recently refilled the LP Tank?

For warranty service, contact your local LYNX authorized service agency. Provide him with the Model Number, Serial Number, and date of installation, and a brief description of the problem. If you need assistance in locating the authorized service agency in your area please contact our LYNX Customer Service Department for an authorized service agent near you, our number is **(888) Buy-Lynx (888-289-5969)**.

Your satisfaction is of the utmost importance to us. If a problem cannot be resolved to your satisfaction, please write, fax or email us:

Lynx Professional Grills

6023-25 Bandini Blvd., Commerce, CA 90040

Service: (888) Buy-Lynx (888-289-5969).

Tel: (323) 838-1770

Fax: (323) 838-1782

www.lynxprofessionalgrills.com

IF SHIPMENT ARRIVES DAMAGED:

- 1. VISIBLE LOSS OR DAMAGE:** Be certain this is noted on freight bill or express receipt and signed by person making delivery.
- 2. FILE CLAIM FOR DAMAGES IMMEDIATELY,** regardless of extent of damage.
- 3. CONCEALED LOSS OR DAMAGE:** If damage is unnoticed until merchandise is unpacked, notify transportation company or carrier immediately and file "concealed damage" claim with them. This should be done within (15) days of date delivery is made to you. Be sure to retain container for inspection. We cannot assume responsibility for damage or loss incurred in transit.

Warranty 04/12/04

I. Limited Lifetime Warranty. The stainless steel body housings, the solid brass grill burners and the ProSear burners* are warranted to be free from defects in material and workmanship when subjected to normal domestic use and service for the lifetime of the original purchaser. This warranty excludes surface corrosion, scratches, and discoloration which may occur during regular use. This warranty is limited to the replacement of the defective parts.

*Does not include the rotisserie infra-red burner.

II. Limited Five-Year Warranty. The structural integrity of the interior grill parts, exterior, and drip pans are warranted to be free from defects in material and workmanship, when subjected to normal domestic use and service, for a period of five years from the date of purchase.

This warranty is limited to the replacement of the defective parts.

III. Limited One-Year Warranty. All other grill components are warranted to be free from defects in material and workmanship for a period of one year from the original date of purchase. Lynx will replace or repair parts found to be defective at no cost to the original purchaser.

IV. Service & Replacement Parts. Call (888) 289-5969 to report service problems or to obtain replacement components or parts for your Lynx grill. Replacement parts are shipped F.O.B. Lynx Professional Grills, Commerce, California 90040.

Before calling for service, please make sure you have the following information:

1. Model number;
2. Date of purchase;
3. Proof of purchase by the original owner; and
4. Serial number. (Note: The serial number can be found on the product ID plate, which is located behind the front control panel. It can be viewed by removing the smoker tray and looking slightly to the left. With newer models, the serial number can also be found on the bottom of the drip pan.)

V. Limitations & Exclusions.

1. Lynx's warranty applies only to the original purchaser and may not be transferred.
2. Lynx's warranty is in lieu of all other warranties, expressed or implied and all other obligations or liabilities related to the sale or use of its grill products.
3. Lynx's warranty shall not apply and Lynx is not responsible for damage resulting from misuse, abuse, alteration of or tampering with the appliance, accident, hostile environment, flare-up fires, improper installation, or installation not in accordance with the instructions contained in the User Manual, or the local codes.

Warranty (cont'd)

Warranty (Continued)

4. Lynx shall not be liable for incidental, consequential, special or contingent damages resulting from its breach of this written warranty or any implied warranty.
5. Some states do not allow limitations on how long an implied warranty lasts, or the exclusions of or limitations on consequential damages. This warranty gives you specific legal rights and you may have other rights which vary from state to state.
6. No one has the authority to add to or vary Lynx's warranty, or to create for Lynx any other obligation or liability in connection with the sale or use of its products.

VI. **What is not covered.** Lynx shall not be responsible for and shall not pay for the following:

1. Installation or start-up;
2. Service by an unauthorized service provider;
3. Damage or repair due to service by an unauthorized service provider or use of unauthorized parts;
4. Improper installation;
7. Damage caused by accidents, abuse, alteration, misuse, incorrect installation or installation not in accordance with the instructions contained in the User Manual, or local codes;
8. Units installed in non-residential applications such as day-care centers, bed and breakfast centers, churches, nursing homes, restaurants, hotels, schools, etc.;
9. To correct normal adjustments or settings, due to improper installation, commissioning or local gas supply properties;
10. Shipping and handling costs, export duties, or installation cost;
11. The cost of a service call to diagnose trouble; or
12. Removal or re-installation cost.

A MESSAGE TO OUR CUSTOMERS:

Thank you for choosing LYNX as your new gas grill. With proper use and care, we're confident that this Grill will provide years of trouble-free service. Careful attention has been put into every detail of this grill and, by reading this entire manual before your first use, you will be assured maximum performance.

This manual also contains important safety tips and some hints for better grilling. Please keep it in a convenient location so it will be available to answer any future questions. Should your LYNX Grill change ownership, please make sure that the new owner receives this manual.

We love to hear from our customers. Please feel free to contact us with any questions or problems, or to share a new recipe. Please include the model number of your grill in your correspondence. **Thanks again for your purchase. Enjoy!**



PROFESSIONAL GRILLS

Lynx Professional Grills

6023-25 Bandini Blvd., Commerce, CA 90040

Service: (888) Buy-Lynx (888-289-5969)

Tel: (323) 838-1770

Fax: (323) 838-1782

www.lynxgrills.com

As product improvement is an ongoing process at Lynx, we reserve the right to change specifications or design without notice.

Part No. 31246
Litho in USA 04/2005