

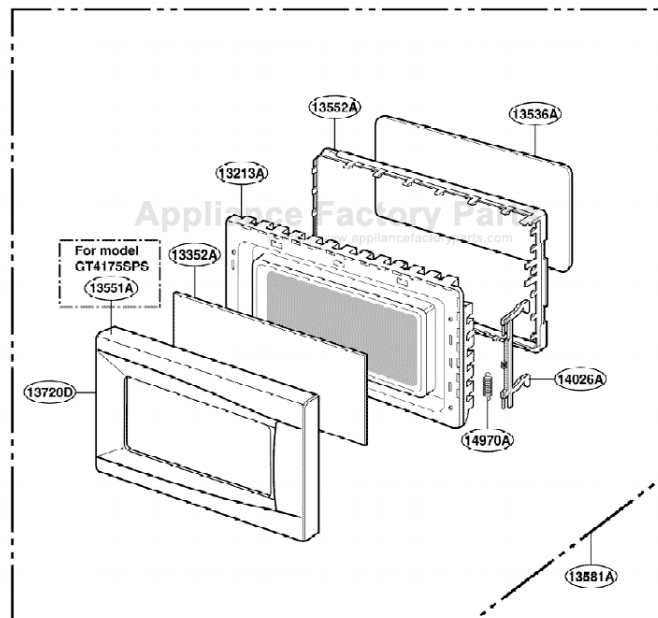
This Owner's Manual is provided and hosted by [Appliance Factory Parts](http://ApplianceFactoryParts.com).



# WHIRLPOOL GT4175SPQ1 Owner's Manual

[Shop genuine replacement parts for WHIRLPOOL  
GT4175SPQ1](#)

## DOOR PARTS



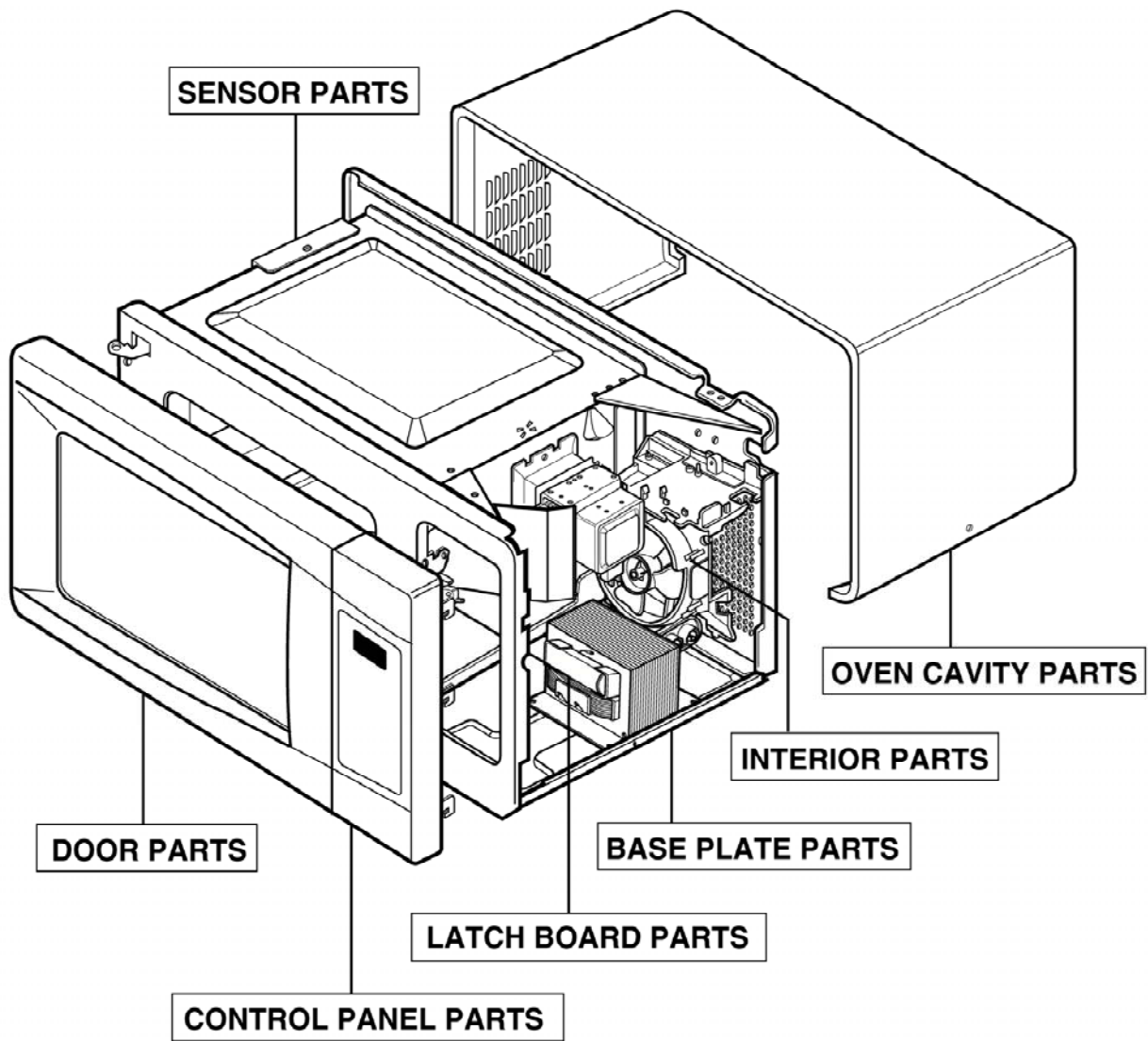
[Find Your WHIRLPOOL Microwave Parts - Select From 1350 Models](#)

----- Manual continues below -----

# EXPLODED VIEW

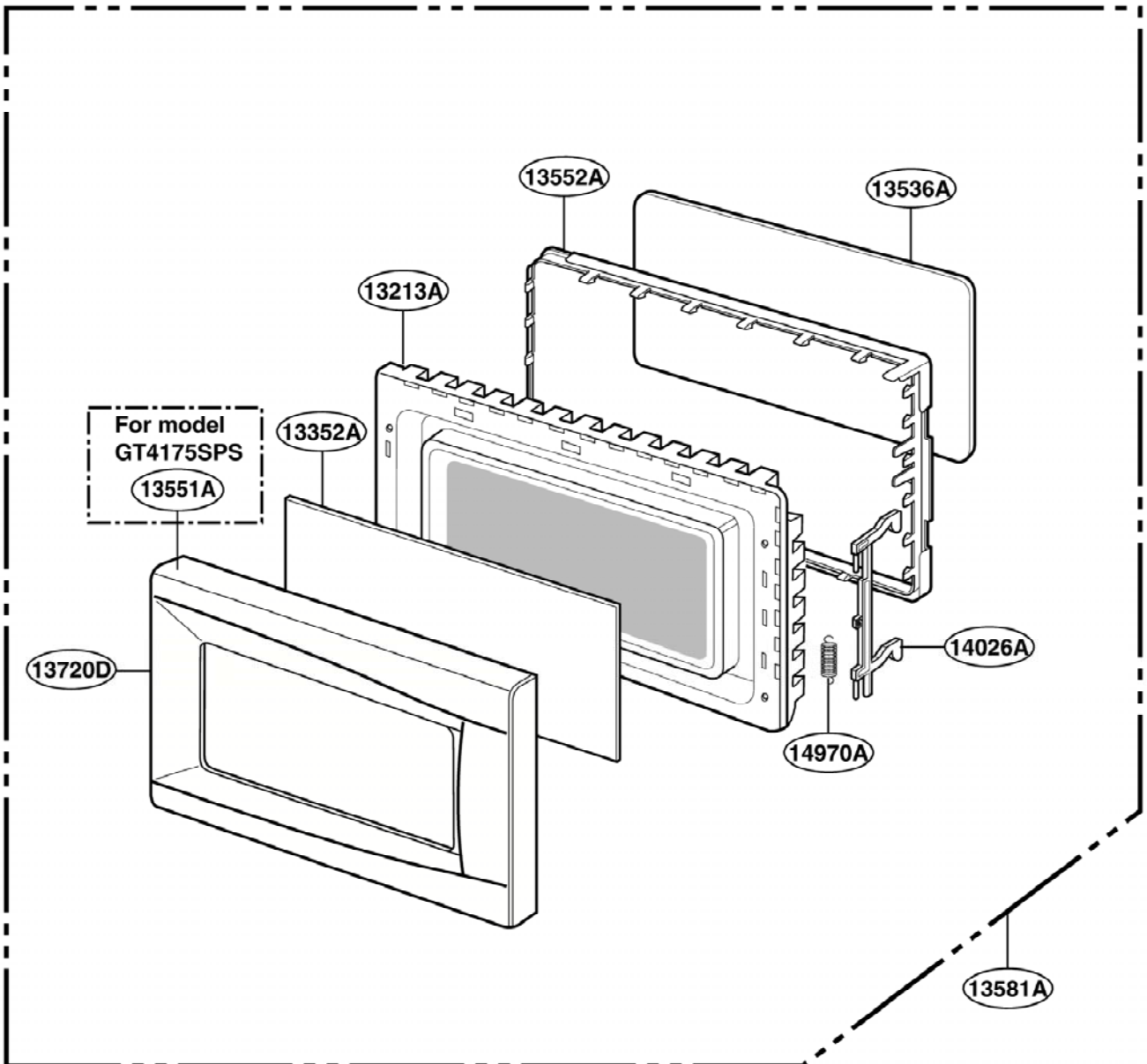
## INTRODUCTION

Model : GT4175SP

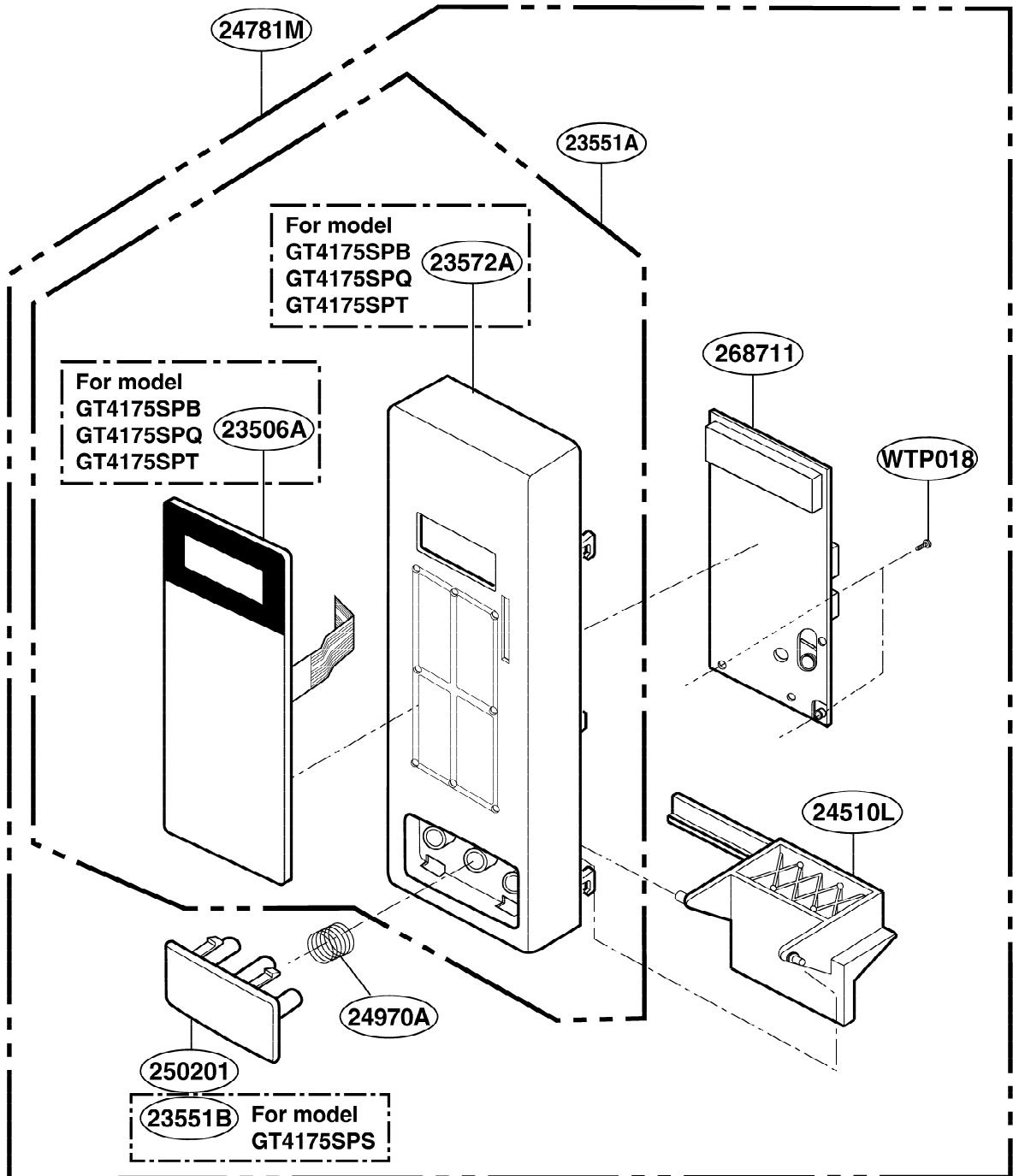


P/NO : 3828W5S4063

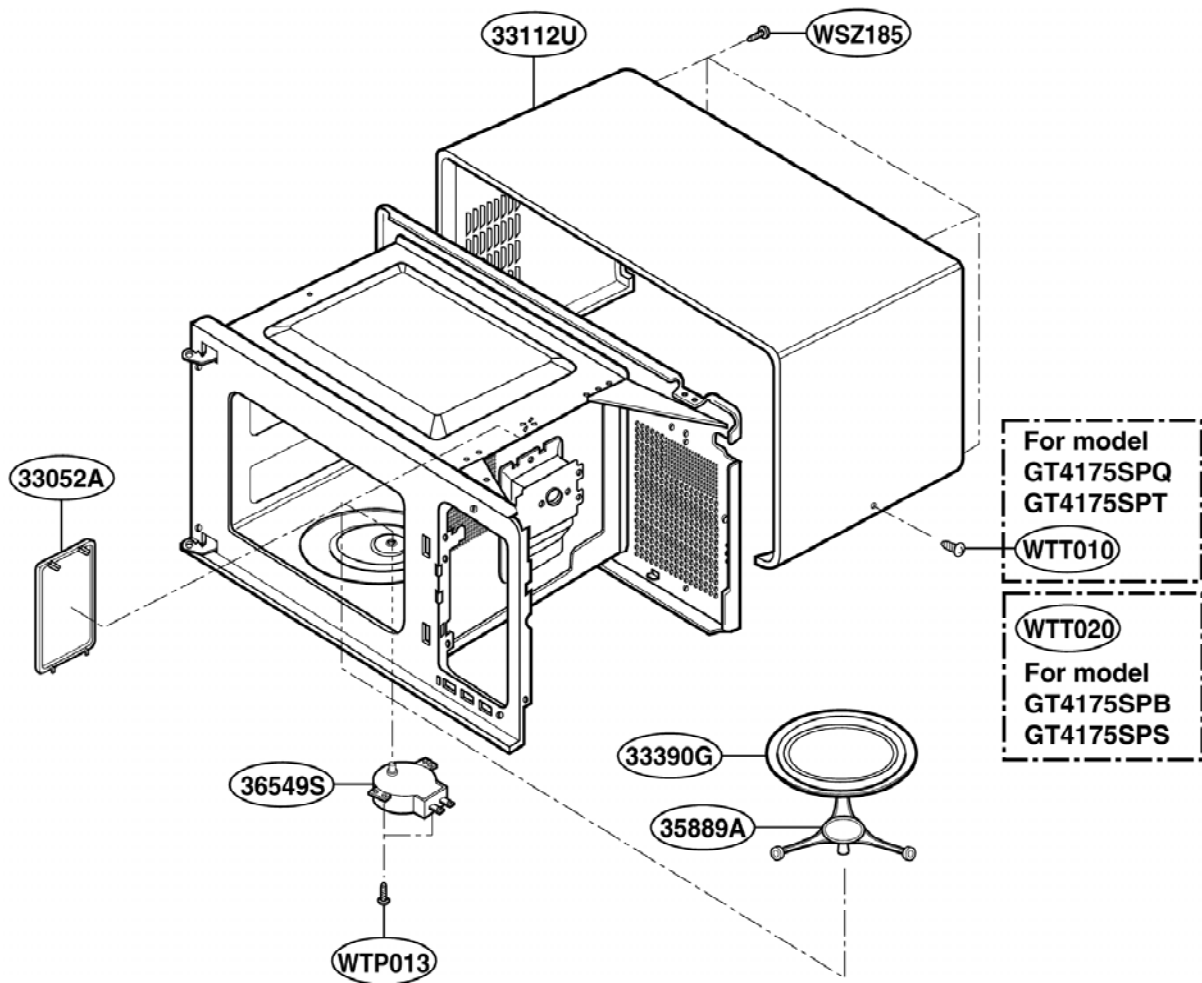
# DOOR PARTS



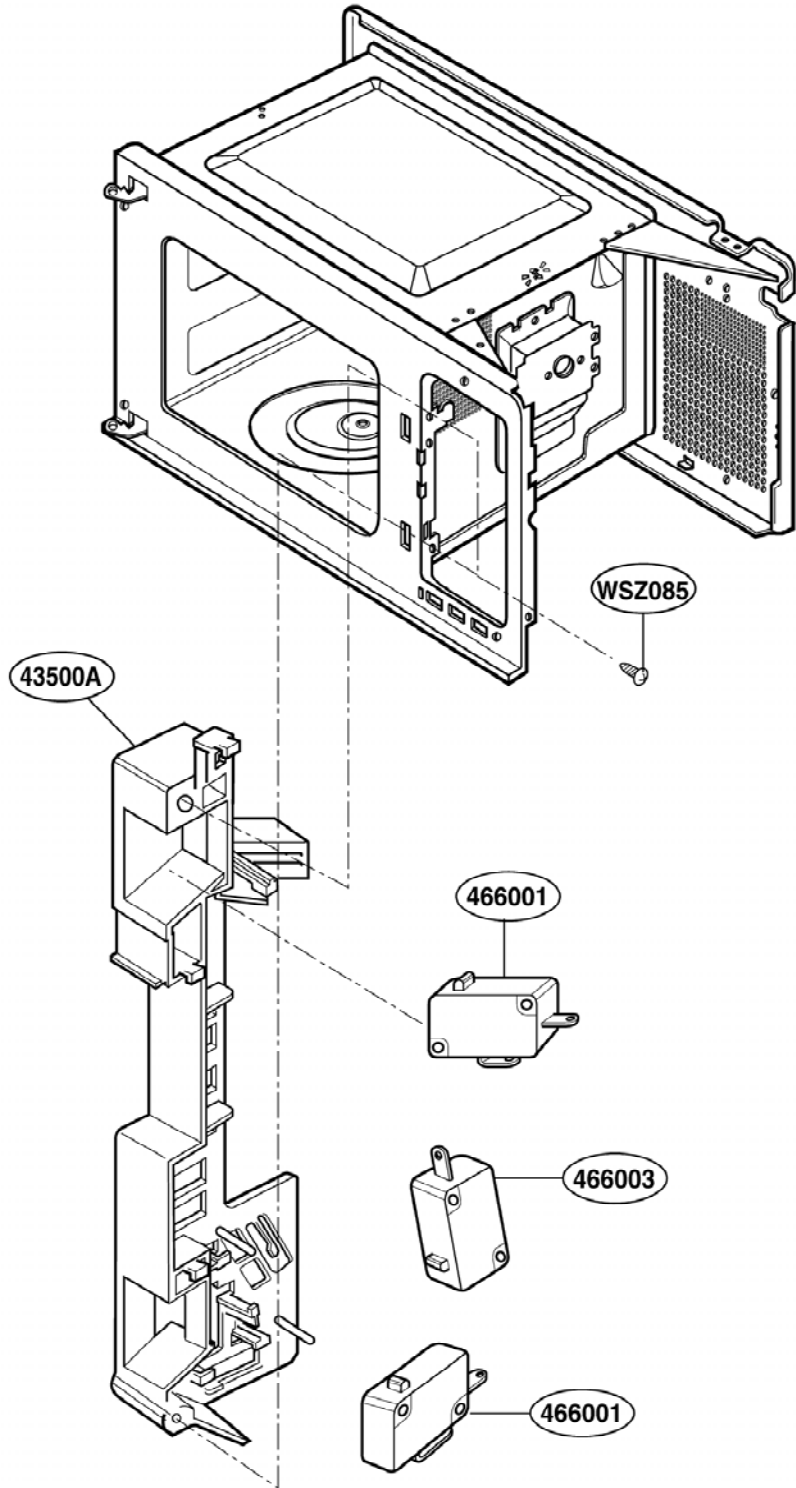
# CONTROL PANEL PARTS



# OVEN CAVITY PARTS



# LATCH BOARD PARTS

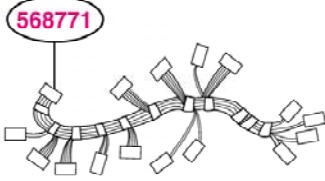


# INTERIOR PARTS (I)

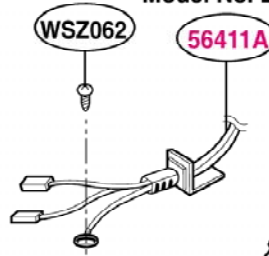
Model: GT4175SPQ-0  
GT4175SPB-0  
GT4175SPT-0  
GT4175SPS-0

Check the rating label of **Model** and order SVC parts according to the **Model No. E.C.N.**

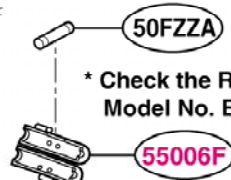
\* Check the Rating  
Model No. E.C.N.



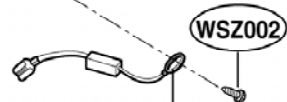
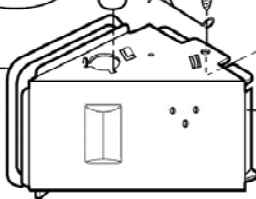
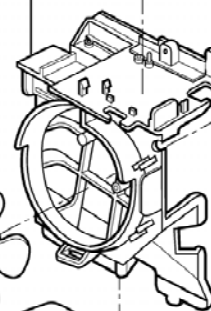
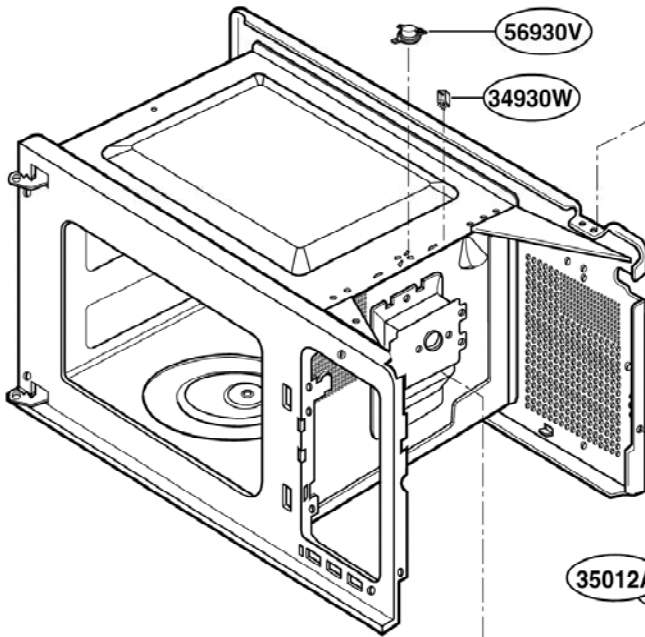
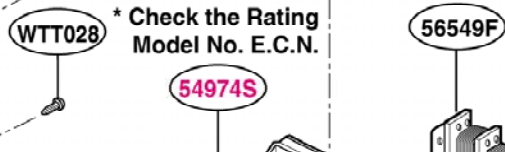
\* Check the Rating  
Model No. E.C.N.



\* Check the Rating  
Model No. E.C.N.



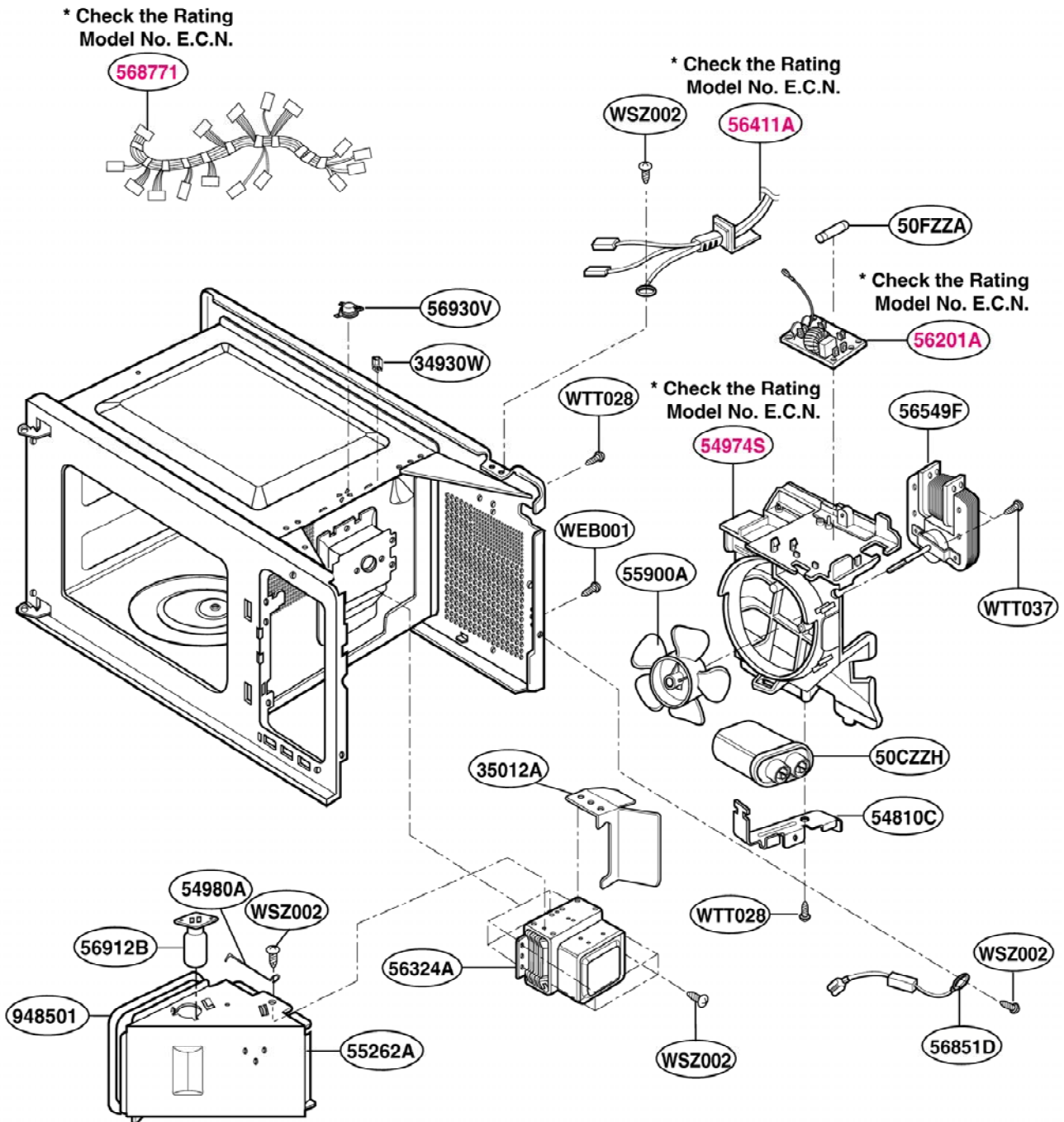
\* Check the Rating  
Model No. E.C.N.



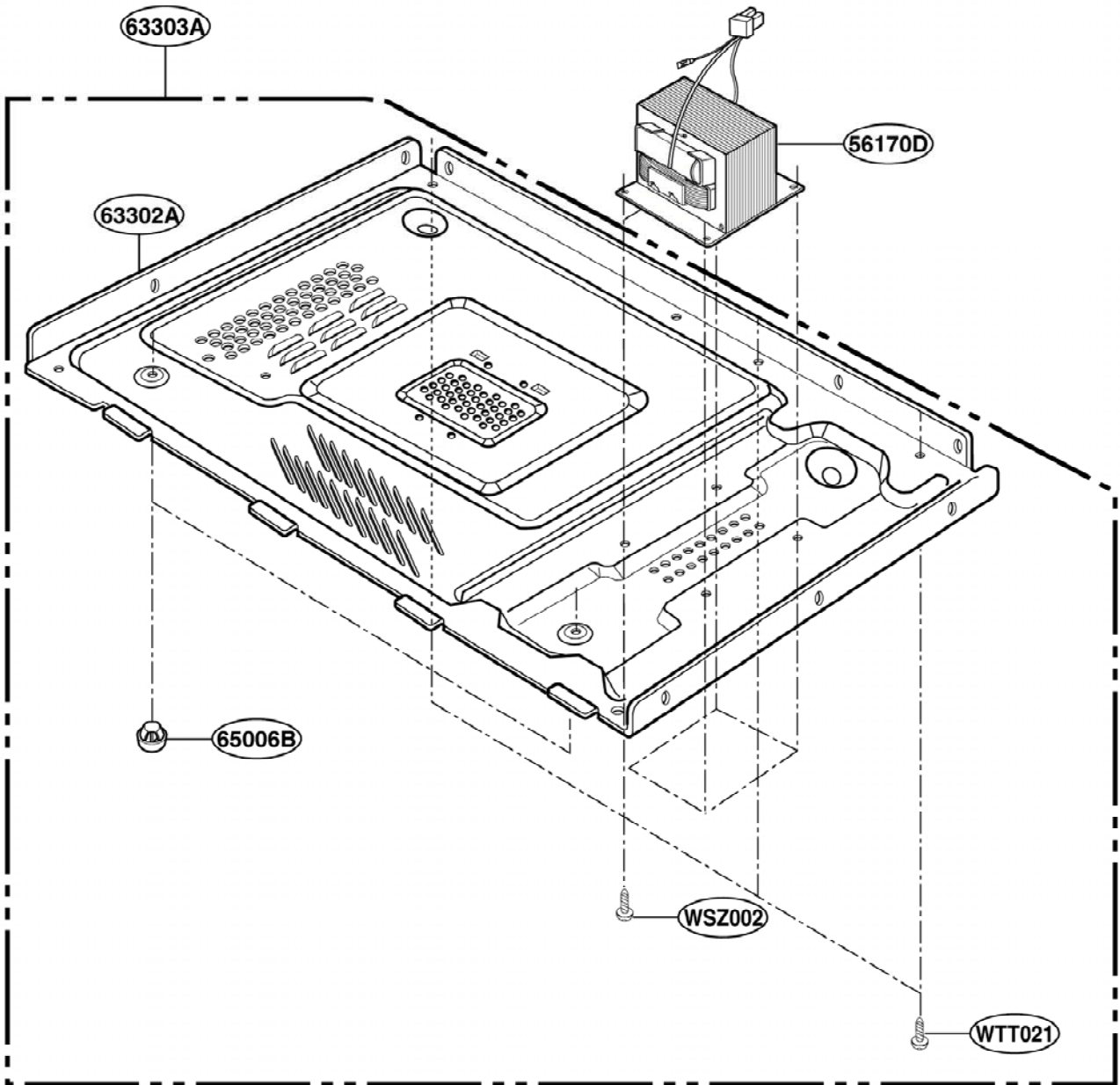
# INTERIOR PARTS (II)

Model: GT4175SPQ-1  
GT4175SPB-1  
GT4175SPT-1  
GT4175SPS-1

Check the rating label of **Model** and order SVC parts according to the **Model No. E.C.N.**



# BASE PLATE PARTS



# SENSOR PARTS

