

This Owner's Manual is provided and hosted by [Appliance Factory Parts](#).



FRIEDRICH CP18 Owner's Manual

[Shop genuine replacement parts for FRIEDRICH CP18](#)



[Find Your FRIEDRICH Air Conditioner Parts - Select From 1575 Models](#)

----- Manual continues below -----

Operating Guide

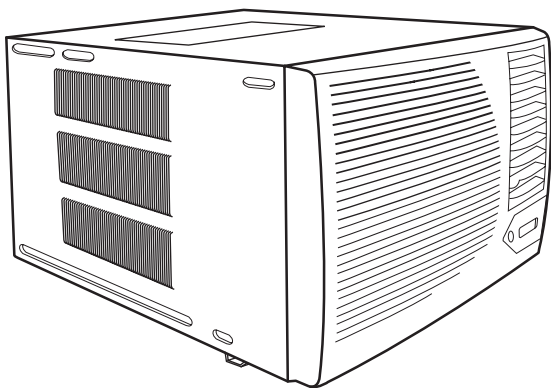
Compact Programmable

Room Air Conditioner with remote control

CP14

CP18

CP24



Please register your air conditioner

Whenever you call to request service on your appliance, you will need to provide your complete model number and serial number. You can find this information on the model and serial number label.

Please record model and serial number information below:

MODEL NUMBER

SERIAL NUMBER

PURCHASE DATE

Table of Contents

Air Conditioner Safety	2
Installation Requirements	3
Tools and Parts.....	3
Location Requirements	3
Electrical Requirements.....	4
Installation Instructions	6
Unpacking	6
Window Installation (on some models).....	7
Through-the-Wall Cabinet Installation	9
Complete Installation	10
Air Conditioner Use	11
Starting Your Air Conditioner—Digital Control	12
Remote Control Operation	13
Normal Sounds.....	13
Air Conditioner Care	14
Cleaning the Air Filter.....	14
Cleaning the Front Panel.....	14
Repairing Paint Damage	14
Annual Maintenance.....	14
Troubleshooting	14
Assistance or Service	15
Warranty	16

Air Conditioner Safety

Your safety and the safety of others are very important.

We have provided many important safety messages in this manual and on your appliance. Always read and obey all safety messages.



This is the safety alert symbol.

This symbol alerts you to potential hazards that can kill or hurt you and others.

All safety messages will follow the safety alert symbol and either the word “DANGER” or “WARNING.”

These words mean:

⚠ DANGER

You can be killed or seriously injured if you don't immediately follow instructions.

⚠ WARNING

You can be killed or seriously injured if you don't follow instructions.

All safety messages will tell you what the potential hazard is, tell you how to reduce the chance of injury, and tell you what can happen if the instructions are not followed.

IMPORTANT SAFETY INSTRUCTIONS

WARNING: To reduce the risk of fire, electrical shock or injury when using your air conditioner, follow these basic precautions:

- Plug into a grounded 3 prong outlet.
- Do not remove plug ground prong.
- Do not use a plug adapter.
- Do not use an extension cord.
- Unplug air conditioner before servicing.
- Use two or more people to move and install air conditioner.

SAVE THESE INSTRUCTIONS

Installation Requirements

Tools and Parts

Gather the required tools and parts before starting installation. Read and follow the instructions provided with any tools listed here.

Tools Needed

- Flat-blade and Phillips screwdrivers
- Tape measure
- Level
- Drill and $\frac{3}{16}$ " or smaller bit

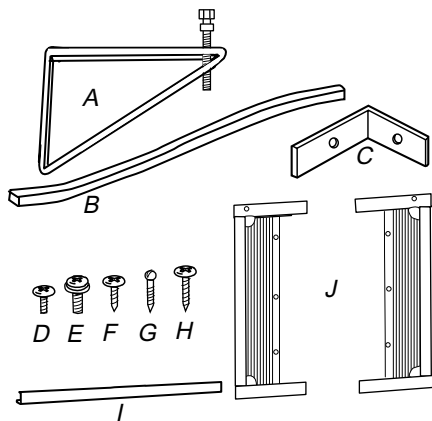
Through-the-wall installation

In addition to the tools listed above, the following tools and supplies are needed for through-the-wall installation.

- Saw
- Wood preservative
- Caulk
- 1" (2.5 cm) or thicker lumber
- 7 - #10 x 1" wood screws

Parts supplied (on some models)

Check that all parts are included in parts package.



- A. Support brackets with adjustment bolts (2)
- B. Foam seals (2)
- C. Window lock bracket (2)
- D. #10 x $\frac{1}{4}$ " pan-head Phillips screws (6)
- E. #10 x $\frac{3}{8}$ " washer-head Phillips screws (4)
- F. #10 x $\frac{1}{2}$ " pan-head Phillips screws (4)
- G. #10 x $\frac{3}{4}$ " round-head screws (6)
- H. #10 x $\frac{7}{8}$ " pan-head Phillips screws (4)
- I. Top channel
- J. Side curtains (2)

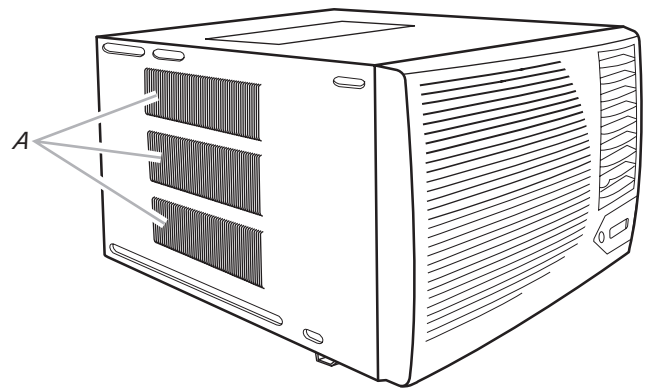
NOTE: Installation parts are supplied for double-hung windows up to 40" (101.6 cm) wide. A special Wide Window Kit is available from your dealer or service center. See "Accessories."

Location Requirements

IMPORTANT: Observe all governing codes and ordinances. Check the location where air conditioner will be installed. Proper installation is your responsibility. Make sure you have everything necessary for correct installation.

The location should provide:

- Grounded electrical outlet within 4 ft (122 cm) of where the power cord exits the air conditioner.
NOTE: Do not use an extension cord.
- Free movement of air in room to be cooled.
- A large enough opening for the air conditioner.
- Adequate wall support for weight of air conditioner. Air conditioner weighs between 145 and 200 lbs (66 to 91kg).
NOTE: Cabinet louvers must not be obstructed. Air must be able to pass freely through the cabinet louvers (A).

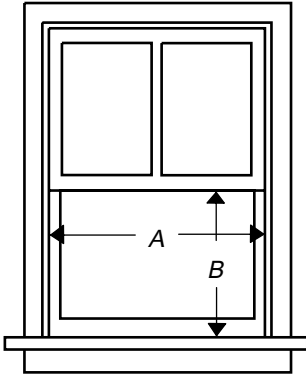


A. Cabinet louvers

Window installation

Window opening measurements:

- 27" min. to 42" max. (76.2 cm to 101.6 cm) opening width (A).
- 20" min. (50.8 cm) opening height (B).

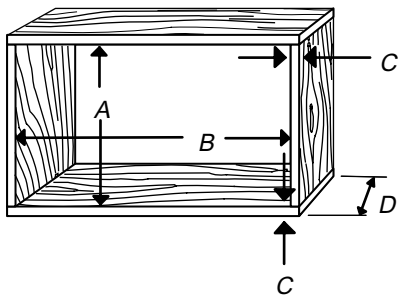


A. 27" min. (76.2 cm)
B. 20" min. (50.8 cm)

Through-the-wall installation

The wall opening measurements should be:

- Height (A): 17 1/4" plus twice thickness of wood used to build frame
- Width (B): 26 1/4"
- Depth (D): 4" minimum to 8" maximum.



A. 17 1/4"
B. 26 1/4"

C. Wood thickness
D. 4" minimum to 8" maximum.

Electrical Requirements

⚠ WARNING



Electrical Shock Hazard

- Plug into a grounded 3 prong outlet.
- Do not remove powercord ground prong.
- Do not use a plug adapter.
- Do not use an extension cord.

Failure to follow these instructions can result in death, fire, or electrical shock.

Ground wire must be connected to ground screw located in lower right corner of air conditioner when air conditioner is in cabinet.

The electrical ratings for your air conditioner are listed on the model and serial number (nameplate) label. The model and serial number label is located behind the front panel on the flange below the control panel area.

Specific electrical requirements are listed in the chart below. Follow the requirements for the type of plug on the power supply cord.

Power supply cord

Wiring requirements

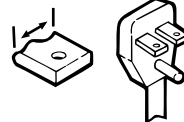
CP14



- 115-volt (103.5 min. - 126.5 max.)
- 0-12 amps
- 15-amp time-delay fuse or circuit breaker
- Use on single outlet circuit only.

CP18 / CP24

1/4"
(0.6 cm)



- 230-volt (207 min. - 253 max.)
- 0-12 amps
- 15-amp time-delay fuse or circuit breaker
- Use on single outlet circuit only.

Recommended grounding method

This air conditioner must be grounded. This air conditioner is equipped with a power supply cord having a grounded 3 prong plug. To minimize possible shock hazard, the cord must be plugged into a mating, grounded 3 prong outlet, grounded in accordance with all local codes and ordinances. If a mating outlet is not available, it is the customer's responsibility to have a properly grounded 3 prong outlet installed by a qualified electrical component installer.

It is the customer's responsibility:

To contact a qualified electrical installer, and

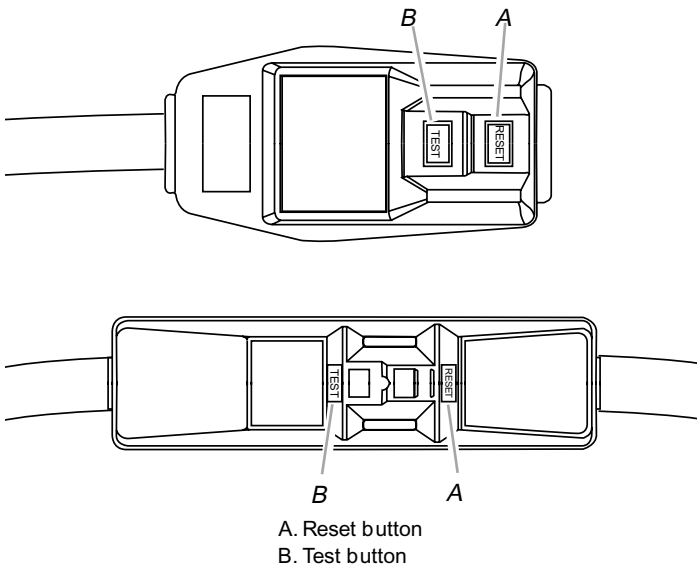
To assure that the electrical installation is adequate and in conformance with National Electrical Code, ANSI/NFPA 70 - latest edition, and all local codes and ordinances.

Copies of the standards listed may be obtained from:

National Fire Protection Association
One Batterymarch Park
Quincy, MA 02269

Power Supply Cord

NOTE: Your unit's device may differ from the ones shown.



This room air conditioner is equipped with a power supply cord required by UL. This power supply cord contains state-of-the-art electronics that sense leakage current. If the cord is crushed, the electronics detect leakage current and power will be disconnected in a fraction of a second.

⚠ WARNING



Electrical Shock Hazard

Plug into a grounded 3 prong outlet.

Do not remove powercord ground prong.

Do not use a plug adapter.

Do not use an extension cord.

Failure to follow these instructions can result in death, fire, or electrical shock.

To test your power supply cord:

1. Plug power supply cord into a grounded 3 prong outlet.
2. Press RESET.
3. Press TEST (listen for click; Reset button will trip and pop out).
4. Press and release RESET (listen for click; Reset button will latch and remain in). The power supply cord is ready for operation.

NOTES:

The Reset button must be pushed in for proper operation.

The power supply cord must be replaced if it fails to trip when the test button is pressed or if it fails to reset.

Do not use the power supply cord as an off/on switch. The power supply cord is designed as a protective device.

A damaged power supply cord must be replaced with a new power supply cord obtained from the product manufacturer and must not be repaired.

The power supply cord contains no user serviceable parts. Opening the tamper-resistant case voids all warranty and performance claims.

Installation Instructions

Unpacking

⚠ WARNING

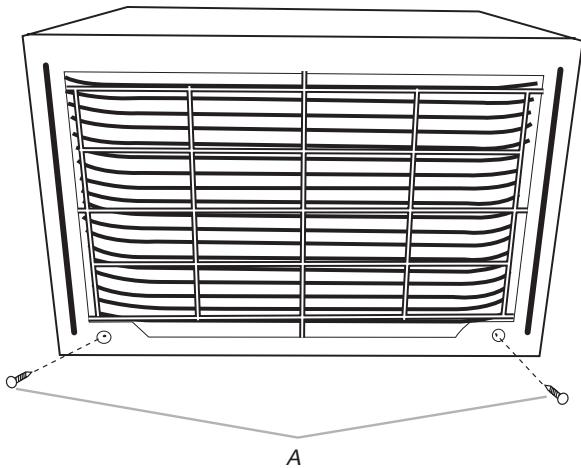
Excessive Weight Hazard

Use two or more people to move and install air conditioner.

Failure to do so can result in back or other injury.

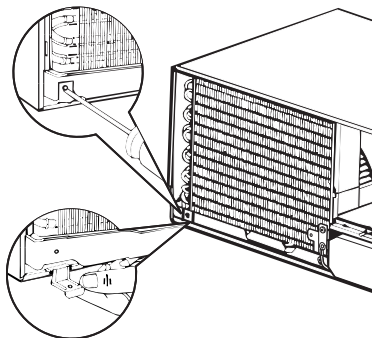
Remove packaging materials

- Remove and dispose of or recycle packaging materials. Remove tape and glue residue from surfaces before turning on the air conditioner. Rub a small amount of liquid dish soap over the adhesive with your fingers. Wipe with warm water and dry.
 - Do not use sharp instruments, rubbing alcohol, flammable fluids, or abrasive cleaners to remove tape or glue. These products can damage the surface of your air conditioner.
 - Handle air conditioner carefully and gently
1. Remove the air conditioner from the carton and place it on cardboard.
 2. Remove shipping screws from the rear of the cabinet (if present).



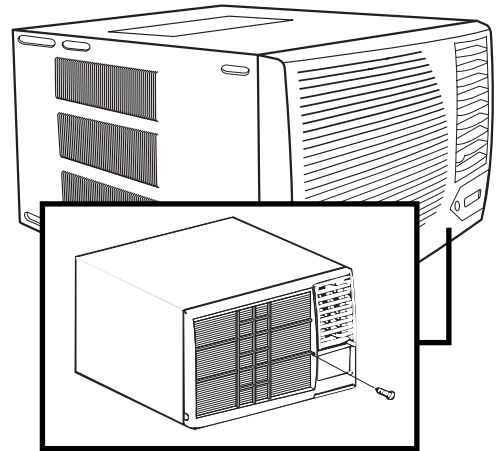
A. Remove shipping screws

3. Remove front grille by pulling bottom of grille upward. Remove hinges at top.
4. Remove air filter
5. Remove the window lock bracket and screw from the air conditioner and set aside.

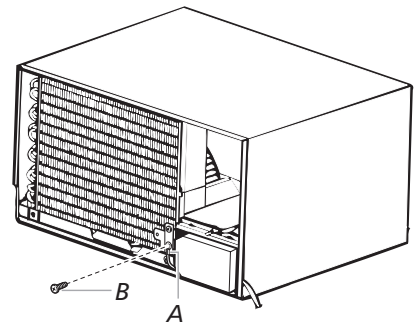


6

6. Remove front panel screw from right side of filter area.

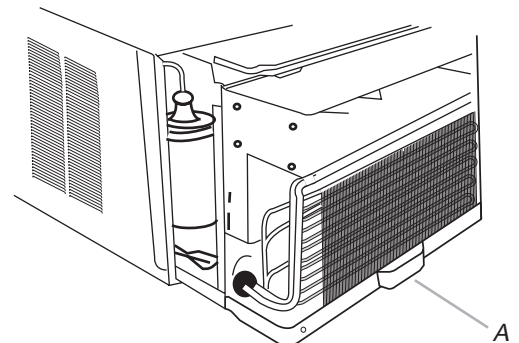


7. Remove the ground screw and ground wire from the front of the air conditioner. Save the ground screw.



A. Green ground wire
B. Ground screw

8. Pull on handle to slide air conditioner out of cabinet. Place air conditioner on cardboard.



A. Pull Handle

NOTE: Do not lift, push, pull or remove any expanded polystyrene (foam) from inside the air conditioner. It is not packing material.

Window Installation (on some models)

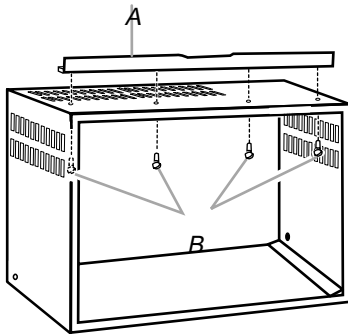
NOTES:

- Handle air conditioner carefully and gently.
- Be sure your air conditioner cabinet does not fall out of the opening during installation or removal.
- The place where the power cord exits the air conditioner should be no more than 4 ft (122 cm) from a grounded 3 prong power outlet.
- Do not block the louvers on the front panel.
- Do not block the louvers on the outside of the air conditioner.

Attach Top Channel

NOTE: Attach top channel and side curtains to air conditioner cabinet before placing cabinet in window.

1. Locate provided bag of screws.
2. Place top channel on top of air conditioner cabinet, lining up the 4 holes in top channel with the 4 holes on top of air conditioner cabinet.
3. Using 4 - #10 x $\frac{3}{8}$ " washer-head Phillips thread-cutting screws, attach top channel to air conditioner cabinet.

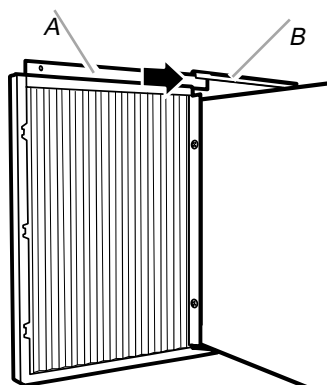


A. Top channel
B. #10 x $\frac{3}{8}$ " washer-head Phillips thread-cutting screws

Attach Side Curtains

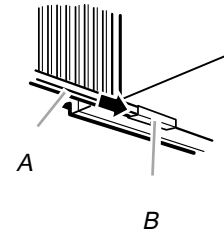
1. Locate provided bag of screws.
2. Insert top and then bottom of right-hand curtain housing in top and bottom curtain channels on air conditioner.

Top view



A. Curtain housing
B. Curtain top channel on air conditioner

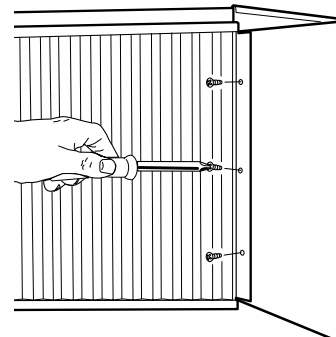
Bottom view



A. Curtain housing
B. Curtain bottom channel on air conditioner

3. Extend right-hand curtain outward so you may insert the first screw through the middle hole of the curtain. Using #10 x $\frac{1}{4}$ " pan-head Phillips screw, screw curtain to middle hole in air conditioner cabinet.

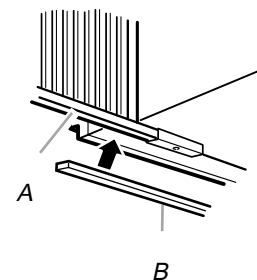
NOTE: This screw is required to correctly attach curtain (top to bottom) to the air conditioner cabinet.



4. While the right-hand curtain is still extended, insert #10 x $\frac{1}{4}$ " pan-head Phillips screws into the top and bottom slots of curtain. Screw curtain to the top and bottom holes in the air conditioner cabinet side.
5. Slide the curtain housing into the curtain channels as far as it will go.
6. Repeat above steps for the left-hand curtain.

Attach foam adhesive seal

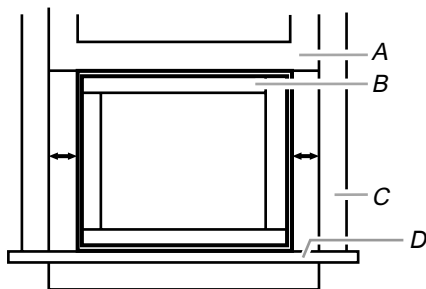
Attach foam adhesive seal along the bottom of the curtain bottom channel.



A. Curtain housing
B. Foam adhesive seal

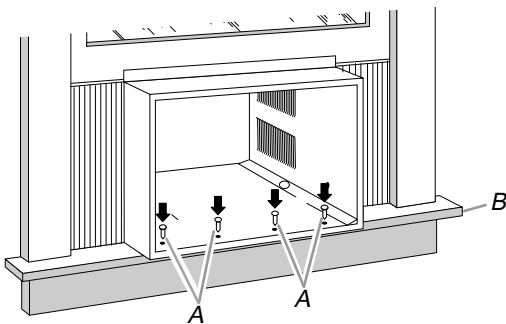
Install Cabinet into Window

- Handle air conditioner carefully and gently.
 - Be sure your air conditioner cabinet does not fall out of the opening during installation or removal.
 - The place where the power cord exits the air conditioner should be no more than 4 ft (122 cm) from a grounded 3 prong power outlet.
 - Do not place cabinet where front louvers will be blocked.
 - Do not place cabinet where outside louvers will be blocked.
1. Center empty cabinet in window. Check that lower rail of air conditioner cabinet is behind and against back side of windowsill. Maintain a firm hold on the air conditioner cabinet. Lower window sash to hold cabinet in place.
 2. Measure the distance between the right-hand side of the cabinet and the inside of the window channel.
 3. Repeat for the left side. Adjust the cabinet until the distance on each side is the same.



A. Window sash
B. Empty cabinet
C. Window channel
D. Window Seal

4. Use a $\frac{3}{16}$ " drill bit to drill 4 starter holes $\frac{3}{8}$ " deep through the 4 holes in the cabinet and into the windowsill.
5. Attach cabinet to windowsill with 4 - #10 x $\frac{1}{2}$ " pan-head Phillips screws.



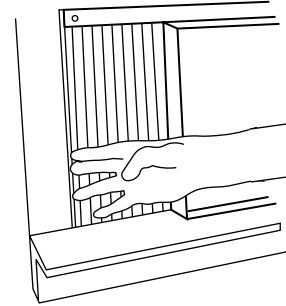
A. #10 x $\frac{1}{2}$ " pan-head Phillips screws
B. Windowsill

6. Check that air conditioner cabinet is tilted to the outside so that water will run to the outside.

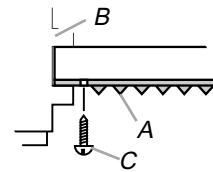
Attach Side Curtains to Window Frame

1. Pull left-hand curtain out until it fits into window channel. Use a $\frac{3}{32}$ " drill bit to drill a starter hole through the hole in the curtain housing and into the lower window sash.

Front View

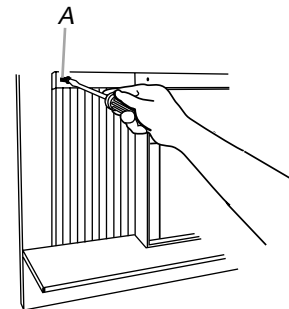


Top View



A. Left-hand curtain
B. Window channel
C. #10 x $\frac{3}{4}$ " round-head screw

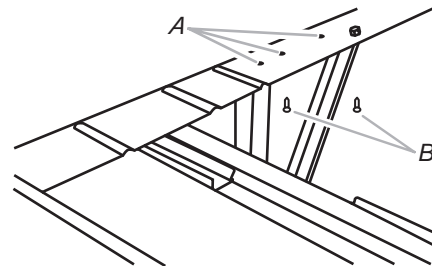
2. Insert one of the #10 x $\frac{3}{4}$ " round-head screws through the threaded hole in the top of the curtain.



A. #10 x $\frac{3}{4}$ " round-head screw

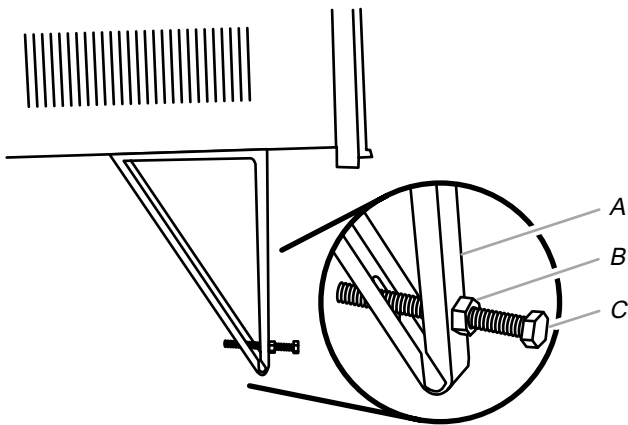
3. Repeat for right-hand curtain.

Attach Support Brackets



A. Align holes in cabinet with holes in support bracket.
B. #10 x $\frac{7}{8}$ " 1

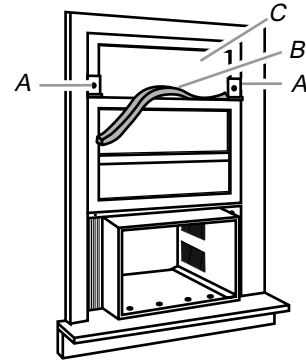
2. Using #10 x 7/8" pan-head Phillips screws, attach bracket to cabinet. Repeat for other bracket.
3. Loosen locking nut and turn the adjustment bolt (C) for each bracket until the bolt touches the wall (B).
4. Tighten the locking nut on adjustment bolt to lock in position.



A. Support bracket
B. Locking nut
C. Adjustment bolt

Complete Installation

1. Insert seal behind the top of the lower window sash and against the glass of the upper window (B).
2. Place one window-lock bracket on top of lower window and against upper window sash on each side of window (A).
3. Use a 3/32" drill bit to drill a starter holes through the holes in each bracket into the window sash.
4. Attach both window-lock brackets to window sash with #10 x 3/4" round-head screws to secure window in place.



A. Window lock brackets
B. Window rail seal
C. Upper window glass

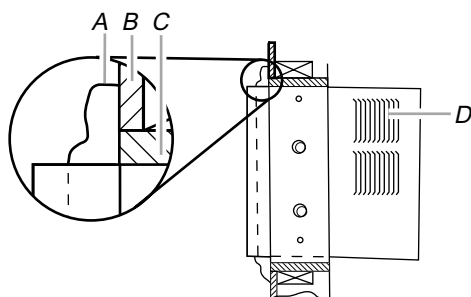
Through-the-Wall Cabinet Installation

NOTES:

- Handle air conditioner gently.
- Be sure your air conditioner cabinet does not fall out of the opening during installation or removal.
- The place where the power cord exits the air conditioner should be no more than 4 ft (122 cm) from a grounded 3 prong outlet.
- It is the customer's responsibility and obligation to have this product installed by a qualified technician familiar with through-the-wall room air conditioner installations.
- Do not block the louvers on the front panel.
- Do not block the louvers on the outside of the air conditioner.

Option 1—Wood, metal or plastic molding

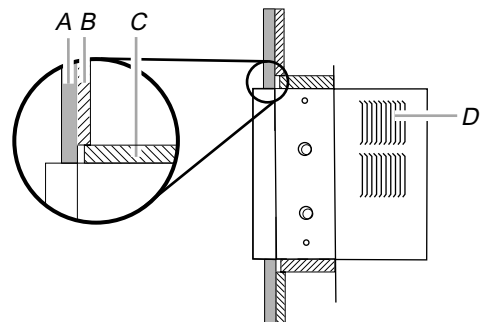
When using a wood, metal or plastic molding, the wood frame should line up with inside wall as shown.



A. Trim Molding
B. Inside wall surface
C. Wood wall framing
D. Louvers

Option 2—Plastered wall with no molding

If the plastered wall is to be flush with the cabinet and no molding is used, the wood frame must be set 1/2" (13 mm) into the inside wall.



A. Plastered wall
B. Inside wall
C. Wood frame
D. Louvers

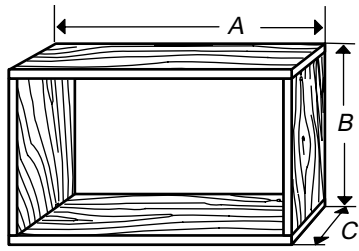
Install Wood Frame

1. Construct wood frame. See "Location Requirements" for dimensions.
2. Measure outside width and height of frame to determine wall opening dimensions.
3. Cut opening through the wall. Remove and save insulation.

NOTES:

- Dimension for depth depends on wall thickness and type of molding.
- Do not block louvers in air conditioner cabinet.

- Use 2" x 4" or thicker lumber for wood frame.

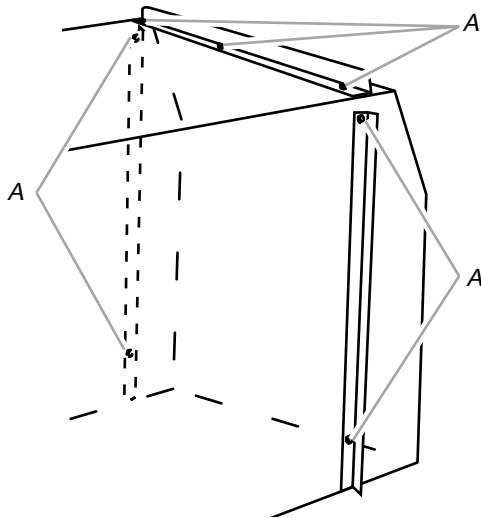


A. Outside width
B. Outside height
C. Depth

4. Apply wood preservative to the outside exposed surface.
5. Insert the frame in the wall opening. Square and level frame.
6. Attach frame securely to the wall.

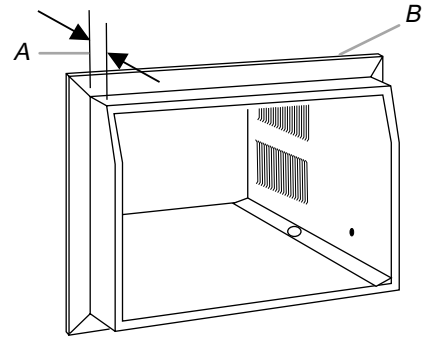
Install Cabinet into Wood Frame

1. Remove top channel and both side channels using a 1/4" nut driver or socket wrench. Discard top channel and both side channels.



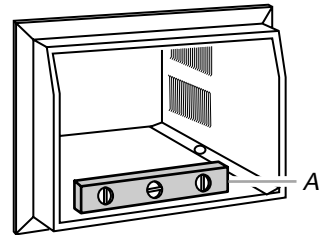
A. Remove these screws

2. Insert cabinet into the framed wall opening. The top of the cabinet should extend 3/4" (19.1 mm) into the room. If there is trim, the cabinet should extend 3/4" (19.1 mm) past the trim.



A. 3/4" (19.1 mm) extending into room
B. Trim

3. Use a level to check that cabinet is level side to side.



A. Level

4. Check that air conditioner cabinet is tilted to the outside so that water will run to the outside.
 5. Reuse the insulation to seal opening between cabinet and frame.
 6. Use existing holes in sides and top of cabinet and 7 - #10 x 1" wood screws (not provided) to attach cabinet to frame.
- NOTE:** Do not overtighten screws or cabinet will distort and provide a poor air seal between cabinet and air conditioner.
7. Caulk all outside wall openings around cabinet.

Complete Installation

NOTE: Handle air conditioner carefully and gently.

1. Make sure the free end of the ground wire is outside of the cabinet.

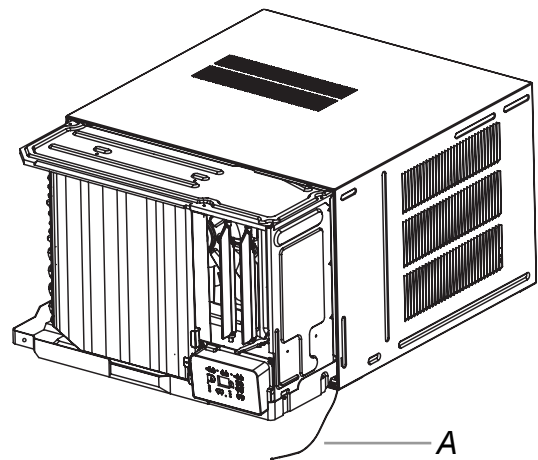
2. Insert air conditioner into cabinet.

⚠ WARNING

Excessive Weight Hazard

Use two or more people to move and install air conditioner.

Failure to do so can result in back or other injury.



A. Make sure the free end of the ground wire is outside of the cabinet.

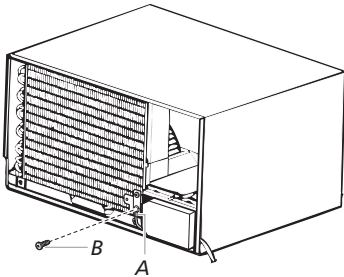
⚠ WARNING



Electrical Shock Hazard

**Connect green ground wire to ground screw.
Failure to do so can result in death or electrical shock.**

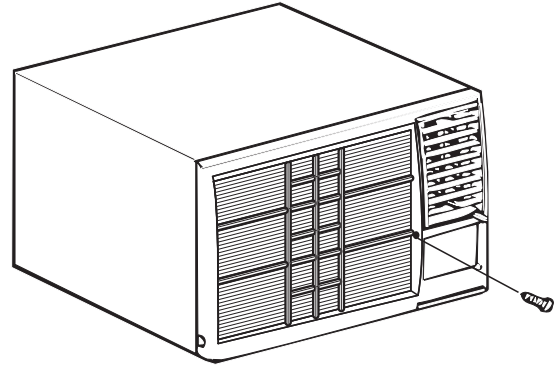
3. Connect green ground wire to cabinet base with ground screw.
Position ground wire pointing straight up. Put excess ground wire between coil and air conditioner cabinet.



A. Green ground wire
B. Ground screw

4. Push front panel straight on and then lower it slightly to lock it into place.

5. Using 1 - #10 x 3/8" round-head screw, attach front of panel to chassis.



6. Reinstall filter and replace front grille.

NOTE: For through-the-wall installations, if needed, install molding around room side of cabinet.

⚠ WARNING



Electrical Shock Hazard

Plug into a grounded 3 prong outlet.

Do not remove ground prong.

Do not use an adapter.

Do not use an extension cord.

Failure to follow these instructions can result in death, fire, or electrical shock.

7. Plug into a grounded 3 prong outlet.
8. Press RESET on the power supply cord.

Air Conditioner Use

Operating your air conditioner properly helps you to obtain the best possible results.

This section explains proper air conditioner operation.

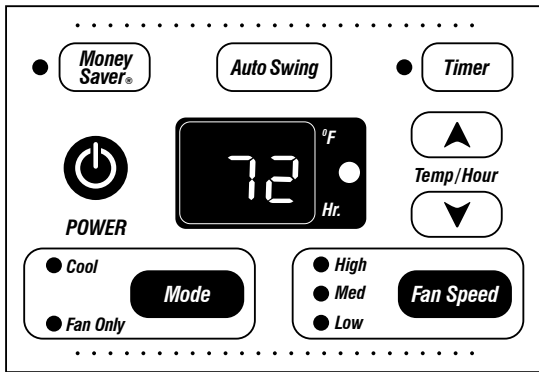
IMPORTANT:

- If you turn off the air conditioner, wait at least 3 minutes before turning it back on. This prevents the air conditioner from blowing a fuse or tripping a circuit breaker.

- Do not try to operate your air conditioner in the cooling mode when outside temperature is below 65°F (18°C). The inside evaporator coil will freeze up, and the air conditioner will not operate properly.

NOTE: In the event of a power failure, your air conditioner will operate at the previous settings when the power is restored.

Starting Your Air Conditioner—Digital Control



1. Press POWER to turn on air conditioner.



POWER

NOTE: When the unit is turned on, it will display the previous settings for the Mode, Fan Speed and temperature.

2. Choose mode. See “Mode.”
3. Choose fan speed. See “Fan Speed.”
4. Choose temperature. See “Temperature.”

Mode

1. Press and hold MODE.
2. Choose Cool or Fan mode
 - Cool—Cools room. Press FAN SPEED to choose fan speed. Then adjust the temperature by pressing the up or down arrow buttons.
 - Fan—Operates the fan at High speed, without cooling. The display shows “FO” (fan only).

Money Saver®

- Money Saver — Turns fan to low speed when room temperature reaches the temperature setting on the thermostat.



Fan Speed

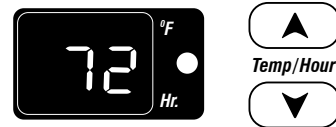
NOTE: The Fan Speed button will operate only when the Cool or Power Saver mode has been selected.

1. Press and hold FAN SPEED until you see the indicator light for the desired setting.
2. Choose High, Medium or Low.



Temperature

Press, or press and hold, the plus button to raise the temperature 1° until it reaches 86°F (30°C).



Press, or press and hold, the minus button to lower the temperature 1° until it reaches 64°F (18°C).

Timer Delay

To set the Timer for a 1- to 24-hour delay until the air conditioner turns off (the air conditioner must be On):

1. Press TIMER. Indicator light will flash.



2. Press the plus or minus button to change the delay time from 1 to 24 hours.
3. Press TIMER or wait 10 seconds. Indicator light will remain on.

To set the Timer delay for a 1- to 24-hour delay until the air conditioner turns on, keeping previous settings:

1. Turn off air conditioner.
2. Press TIMER. Indicator light will flash.
3. Press the plus or minus button to change the delay time from 1 to 24 hours.
4. Press TIMER or wait 10 seconds. Indicator light will remain on.

To set the Timer delay for a 1- to 24-hour delay until the air conditioner turns on, changing previous settings:

1. Turn on air conditioner.
2. Adjust MODE to desired setting.
3. Adjust FAN SPEED to High, Medium or Low.
4. Adjust temperature between 64°F (18°C) and 86°F (30°C).
5. Turn off air conditioner.
6. Press TIMER. Indicator light will flash.
7. Press the plus or minus button to change delay time from 1 to 24 hours.
8. Press TIMER or wait 10 seconds.

To clear Timer delay program

NOTE: Air conditioner can be either on or off.

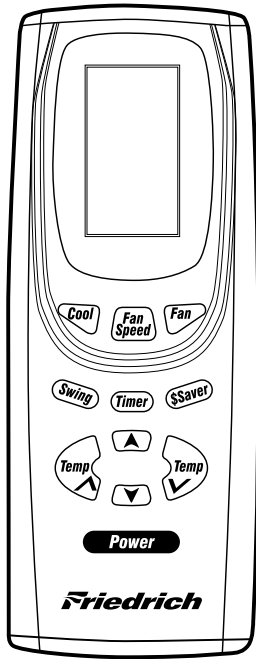
Press and hold TIMER for 3 seconds. Indicator light will turn off.

To see the time remaining (in hours)

1. Press TIMER once after it has been set.
2. While the display is showing the remaining time, you can press the plus or minus button to increase or decrease the time.

To operate air conditioner with remote control

NOTE: Remote control may vary in appearance.



NOTE: Two AAA batteries (included) power the remote control. Replace batteries after 6 months of use, or when the remote control starts to lose power.

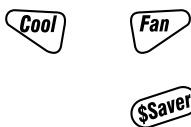
To turn the air conditioner on or off:

Press POWER.



To select the mode:

Press COOL, FAN or \$ SAVER



To select the fan speed:

Press FAN SPEED for High, Medium or Low.



To raise the temperature:

Press the plus button to raise the temperature. Each time you press or hold the plus button, the temperature will go up 1° until it reaches 86°F (30°C).



To lower the temperature:

Press the minus button to lower the temperature. Each time you press or hold the minus button, the temperature will go down 1° until it reaches 64°F (18°C).



To set Timer for a 1- to 24-hour delay before air conditioner is turned off (air conditioner must be On):

1. Press TIMER. Indicator light on air conditioner control panel will flash.



2. Press the plus or minus button to change the delay time from 1 to 24 hours.
3. Press TIMER again or wait 10 seconds. Indicator light on air conditioner control panel will remain on.

To set Timer to turn on air conditioner, keeping previous settings:

1. Turn off air conditioner.
2. Press TIMER. Indicator light on air conditioner control panel will flash.
3. Press the plus or minus button to change delay time (1 to 24 hours).
4. Press TIMER again or wait 10 seconds. Indicator light on air conditioner control panel will remain on.

To set Timer to turn on air conditioner, changing the previous settings:

1. Turn on air conditioner.
2. Adjust Mode to Cool, Fan Only, or Power Saver.
3. Adjust Fan Speed to High, Medium or Low.
4. Adjust temperature between 64°F (18°C) and 86°F (30°C).
5. Turn off air conditioner.
6. Press TIMER. Indicator light on air conditioner control panel will flash.
7. Press the plus or minus button to change delay time (1 to 24 hours).
8. Press TIMER again or wait 10 seconds. Indicator light on air conditioner control panel will remain on.

Air Conditioner Care

Your new air conditioner is designed to give you many years of dependable service. This section tells you how to clean and care for your air conditioner properly. Call your local authorized dealer for an annual checkup. Remember... the cost of this service call is your responsibility.

Cleaning the Air Filter

The air filter is removable for easy cleaning. A clean filter helps remove dust, lint, and other particles from the air and is important for best cooling and operating efficiency. Check the filter every 2 weeks to see whether it needs cleaning.

NOTE: Do not operate the air conditioner without the filter in place.

1. Turn off air conditioner.
2. Remove filter from unit.
3. Use a vacuum cleaner to clean air filter. If air filter is very dirty, wash it in warm water with a mild detergent. Do not wash air filter in the dishwasher or use any chemical cleaners. Air dry filter completely before replacing to ensure maximum efficiency.
4. Slide air filter down into the filter door. Close filter door.

Cleaning the Front Panel

1. Turn off air conditioner.
2. Remove the air filter and clean it separately. See "Cleaning the Air Filter."
3. Wipe the front panel with a soft, damp cloth.
4. Air dry front panel completely.

Repairing Paint Damage

Check once or twice a year for paint damage. This is very important, especially in areas near oceans or where rust is a problem. If needed, touch up with a good grade enamel paint.

Annual Maintenance

Your air conditioner needs annual maintenance to help ensure steady, top performance throughout the year. Call your local authorized dealer to schedule an annual checkup. The expense of an annual inspection is your responsibility.

Troubleshooting

Before calling for service, try the suggestions below to see whether you can solve your problem without outside help.

Air conditioner will not operate

WARNING



Electrical Shock Hazard

- Plug into a grounded 3 prong outlet.**
- Do not remove ground prong.**
- Do not use an adapter.**
- Do not use an extension cord.**
- Failure to follow these instructions can result in death, fire, or electrical shock.**

The power supply cord is unplugged. Plug into a grounded 3 prong outlet. See "Electrical Requirements."

The power supply cord has tripped (Reset button has popped out). Press and release RESET (listen for click; Reset button will latch and remain in) to resume operation.

A household fuse has blown, or a circuit breaker has tripped. Replace the fuse or reset the circuit breaker. If the problem continues, call an electrician. See "Electrical Requirements."

Depending on model, the Power button has not been pressed or the Fan control is turned to Off. Press POWER or turn the Fan control to an active setting.

The local power has failed. Wait for power to be restored.

Air conditioner blows fuses or trips circuit breakers

Too many appliances are being used on the same circuit. Unplug or relocate appliances that share the same circuit.

Time-delay fuse or circuit breaker of the wrong capacity is being used. Replace with a time-delay fuse or circuit breaker of the correct capacity. See "Electrical Requirements."

An extension cord is being used. Do not use an extension cord with this or any other appliance.

You are trying to restart the air conditioner too soon after turning the unit off. Wait at least 3 minutes after turning the unit off before trying to restart the air conditioner.

Normal Sounds

When your air conditioner is operating normally, you may hear sounds such as:

Droplets of water hitting the condenser, causing a pinging or clicking sound. The water droplets help cool the condenser.

Air movement from the fan.

Clicks from the thermostat cycle.

Vibrations or noise due to poor wall or window construction.

A high-pitched hum or pulsating noise caused by the modern high-efficiency compressor cycling on and off.

Air conditioner power supply cord trips (Reset button pops out)

- **Disturbances in your electrical current can trip (Reset button will pop out) the power supply cord.** Press and release RESET (listen for click; Reset button will latch and remain in) to resume operation.
- **Electrical overloading, overheating, cord pinching or aging can trip (Reset button will pop out) the power supply cord.** After correcting the problem, press and release RESET (listen for click; Reset button will latch and remain in) to resume operation.

NOTE: A damaged power supply cord must be replaced with a new power supply cord obtained from the product manufacturer and must not be repaired.

Air conditioner seems to run too much

- **The current air conditioner replaced an older model.** The use of more efficient components may cause the air conditioner to run longer than an older model, but the total energy consumption will be less. Newer air conditioners do not emit the “blast” of cold air you may be accustomed to from older units, but this is not an indication of lesser cooling capacity or efficiency. Refer to the efficiency rating (EER) and capacity rating (in BTU/hr.) marked on the air conditioner.
- **The air conditioner is in a heavily occupied room, or heat-producing appliances are in use in the room.** Use exhaust vent fans while cooking or bathing and try not to use heat-producing appliances during the hottest part of the day. A higher capacity air conditioner may be required, depending on the size of the room being cooled.

Air conditioner cycles on and off too much, or does not cool/heat room in cooling/heating mode

- **The Mode or Fan control is set to Power Saver (on some models).** Use Power Saver only when you are asleep or away from home, since the fan does not circulate the room air continuously. Use Low Cool, Medium Cool or High Cool for your best comfort.
- **The air conditioner is not properly sized for your room.** Check the cooling capabilities of your room air conditioner. Room air conditioners are not designed to cool multiple rooms.
- **The filter is dirty or obstructed by debris.** Clean the filter.
- **The inside evaporator and outside condenser coils are dirty or obstructed by debris.** See “Annual Maintenance.”

- **There is excessive heat or moisture (open container cooking, showers, etc.) in the room.** Use a fan to exhaust heat or moisture from the room. Try not to use heat-producing appliances during the hottest part of the day.
- **The louvers are blocked.** Install the air conditioner in a location where the louvers are free from curtains, blinds, furniture, etc.
- **The outside temperature is below 65°F (18°C).** Do not try to operate your air conditioner in the cooling mode when the outside temperature is below 65°F (18°C).
- **The temperature of the room you are trying to cool is extremely hot.** Allow extra time for the air conditioner to cool off a very hot room.
- **Windows or doors to the outside are open.** Close all windows and doors.
- **The Vent control is set to OPEN (on some models).** Push the Vent control to CLOSED for maximum cooling and/or heating.
- **The temperature set point or Thermostat control is not at a cool enough setting.** Adjust the temperature set point to a cooler setting by pressing the minus button to reduce the temperature or adjust the Thermostat control to a cooler setting by turning the knob clockwise. Turn the Fan control to Turbo Cool.
- **The air conditioner in the heating mode has insufficient BTU/hr for the heating requirements of the room.** Do not use the air conditioner as a primary source of heat.

Temperature on display does not match room temperature

- **When the compressor and fan motor turn off during Power Saver mode, or after you turn off the unit, a lower temperature reading than the actual room temperature may be displayed for a short period of time.** This lower temperature reading is caused by the temperature sensor being located close to the cold evaporator coil. The actual room temperature will display within a few minutes.

Water drips from cabinet into your house

- **The air conditioner is not properly leveled.** The air conditioner should slope slightly downward toward the outside. Level the air conditioner to provide a downward slope toward the outside to ensure proper drainage. See the Installation Instructions.
- NOTE:** Do not drill a hole into the bottom of the metal base and condensate pan.

Assistance or Service

For assistance, service or replacement parts

For service assistance or to locate factory-authorized parts, call our Customer Service Center at 210-357-4400, or your nearest authorized service center. You also can visit the “Dealer Locator” at www.friedrich.com to locate your nearest authorized Friedrich Service Center.

For further assistance

If you need further assistance, you can write to ask any questions or tell us about your concerns to:

Friedrich Air Conditioning Co.
Customer Assurance
P.O. Box 1540
San Antonio, TX 78295-1540

Or email: tac@friedrich.com

Please include a daytime phone number in your correspondence.



Friedrich Air Conditioning Company
P.O. Box 1540
San Antonio, TX 78295
210.357.4400
www.friedrich.com

ROOM AIR CONDITIONERS LIMITED WARRANTY

FIRST YEAR

ANY PART: If any part supplied by FRIEDRICH fails because of a defect in workmanship or material within twelve months from date of original purchase, FRIEDRICH will repair the product at no charge, provided room air conditioner is reasonably accessible for service. Any additional labor cost for removing inaccessible units and/or charges for mileage related to travel by a Service Agency that exceeds 25 miles one way will be the responsibility of the owner. This remedy is expressly agreed to be the exclusive remedy within twelve months from the date of the original purchase.

SECOND THROUGH FIFTH YEAR

SEALED REFRIGERANT SYSTEM: If the Sealed Refrigeration System (defined for this purpose as the compressor, condenser coil, evaporator coil, reversing valve, check valve, capillary, filter drier, and all interconnecting tubing) supplied by FRIEDRICH in your Room Air Conditioner fails because of a defect in workmanship or material within sixty months from date of purchase, FRIEDRICH will pay a labor allowance and parts necessary to repair the Sealed Refrigeration System; **PROVIDED** FRIEDRICH will not pay the cost of diagnosis of the problem, removal, freight charges, and transportation of the air conditioner to and from the Service Agency, and the reinstallation charges associated with repair of the Sealed Refrigeration System. All such cost will be the sole responsibility of the owner. This remedy is expressly agreed to be the exclusive remedy within sixty months from the date of the original purchase.

APPLICABILITY AND LIMITATIONS: This warranty is applicable only to units retained within the Fifty States of the U.S.A., District of Columbia, and Canada. This warranty is not applicable to:

1. Air filters or fuses.
2. Products on which the model and serial numbers have been removed.
3. Products which have defects or damage which results from improper installation, wiring, electrical current characteristics, or maintenance; or caused by accident, misuse or abuse, fire, flood, alterations and/or misapplication of the product and/or units installed in a corrosive atmosphere, default or delay in performance caused by war, government restrictions or restraints, strikes, material shortages beyond the control of FRIEDRICH, or acts of God.

OBTAINING WARRANTY PERFORMANCE: Service will be provided by the **FRIEDRICH Authorized Dealer or Service Organization** in your area. They are listed in the Yellow Pages. If assistance is required in obtaining warranty performance, write to: Room Air Conditioner Service Manager, Friedrich Air Conditioning Co., P.O. Box 1540, San Antonio, TX 78295-1540.

LIMITATIONS: THIS WARRANTY IS GIVEN IN LIEU OF ALL OTHER WARRANTIES. Anything in the warranty notwithstanding, ANY IMPLIED WARRANTIES OF FITNESS FOR PARTICULAR PURPOSE AND/OR MERCHANTABILITY SHALL BE LIMITED TO THE DURATION OF THIS EXPRESS WARRANTY. MANUFACTURER EXPRESSLY DISCLAIMS AND EXCLUDES ANY LIABILITY FOR CONSEQUENTIAL OR INCIDENTAL DAMAGE FOR BREACH OF ANY EXPRESSED OR IMPLIED WARRANTY.

NOTE: Some states do not allow limitations on how long an implied warranty lasts, or do not allow the limitation or exclusion of consequential or incidental damages, so the foregoing exclusions and limitations may not apply to you.

OTHER: This warranty gives you specific legal rights, and you may also have other rights which vary from state to state.

PROOF OF PURCHASE: Owner must provide proof of purchase in order to receive any warranty related services.

All service calls for explaining the operation of this product will be the sole responsibility of the consumer.

All warranty service must be provided by an **Authorized FRIEDRICH Service Agency**, unless authorized by FRIEDRICH prior to repairs being made.

(10-04)