



**SPLIT TYPE ROOM AIR
CONDITIONER**
WALL MOUNTED type

**SERVICE
MANUAL**

Models

Indoor unit

Outdoor unit

MW09C1F

MR09C1F

MW12C1F

MR12C1F

CONTENTS

SPECIFICATIONS	1
OUTLINE AND DIMENSIONS	2
REFRIGERANT SYSTEM DIAGRAM	3
CIRCUIT DIAGRAM	4
INDOOR PCB CIRCUIT DIAGRAM	5
DISASSEMBLY ILLUSTRATION	10
PARTS LIST	13

SPECIFICATIONS

INDOOR UNIT	MW09C1F	MW12C1F
OUTDOOR UNIT	MR09C1F	MR12C1F
COOLING CAPACITY	9,700 BTU/hr	12,300 BTU/hr

ELECTRICAL DATA

POWER SOURCE	115 V	115 V
FREQUENCY	60 Hz	60 Hz
RUNNING CURRENT	7.6 A	9.8 A
INPUT WATTS	820 W	1,060 W
SEER	14.3	13.5
MOISTURE REMOVAL	2.1 Pts/hr (1.0 L/hr)	3.2 Pts/hr (1.5 L/hr)
AIR CIRCULATION-HIGH	560 m ³ /hr	660 m ³ /hr

COMPRESSOR

TYPE	Hermetic type, Permanent split condenser, 2 pole, Single phase, Induction motor	
DISCRIMINATION	EA89X1C-1FZDU1	EA118X1C-1FZDU1
POWER SOURCE	115V 60Hz	115V 60Hz
REFRIGERANT R-410A	1 lb.9 oz (700 g)	2 lb. 2 oz (950 g)

FAN MOTOR

POWER SOURCE	115 V	115 V	
INDOOR UNIT	HIGH	1,250 r.p.m.	1,450 r.p.m.
	MED	1,100 r.p.m.	1,250 r.p.m.
	LOW	950 r.p.m.	1,050 r.p.m.
	QUIET	800 r.p.m.	850 r.p.m.
OUTDOOR UNIT	640 r.p.m.	770 r.p.m.	

DIMENSIONS

INDOOR UNIT	H x W x D	10-13/16 x 31-1/8 x 9-7/16 inch
		275 x 790 x 215 mm
OUTDOOR UNIT	H x W x D	21-1/4 x 31-1/8 x 11-7/16 inch
		540 x 790 x 290 mm

WEIGHT

INDOOR UNIT	Gross / Net	26 / 20 lbs. (12 / 9 kg)	
OUTDOOR UNIT	Gross / Net	77 / 68 lbs. (35 / 31 kg)	86 / 77 lbs. (39 / 35 kg)

OUTLINE AND DIMENSIONS

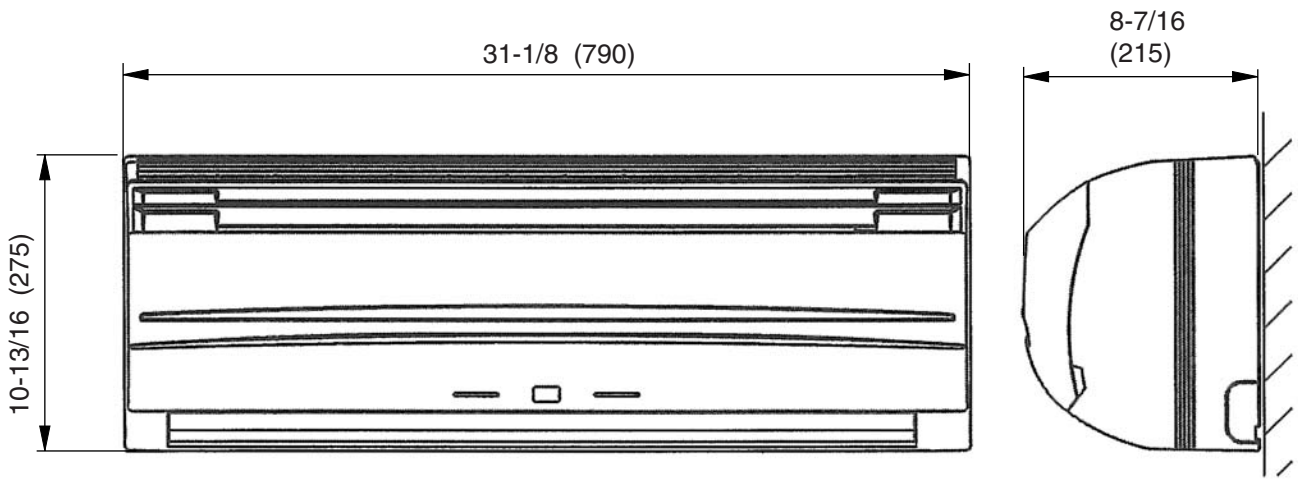
Unit : inch (mm)

Models :

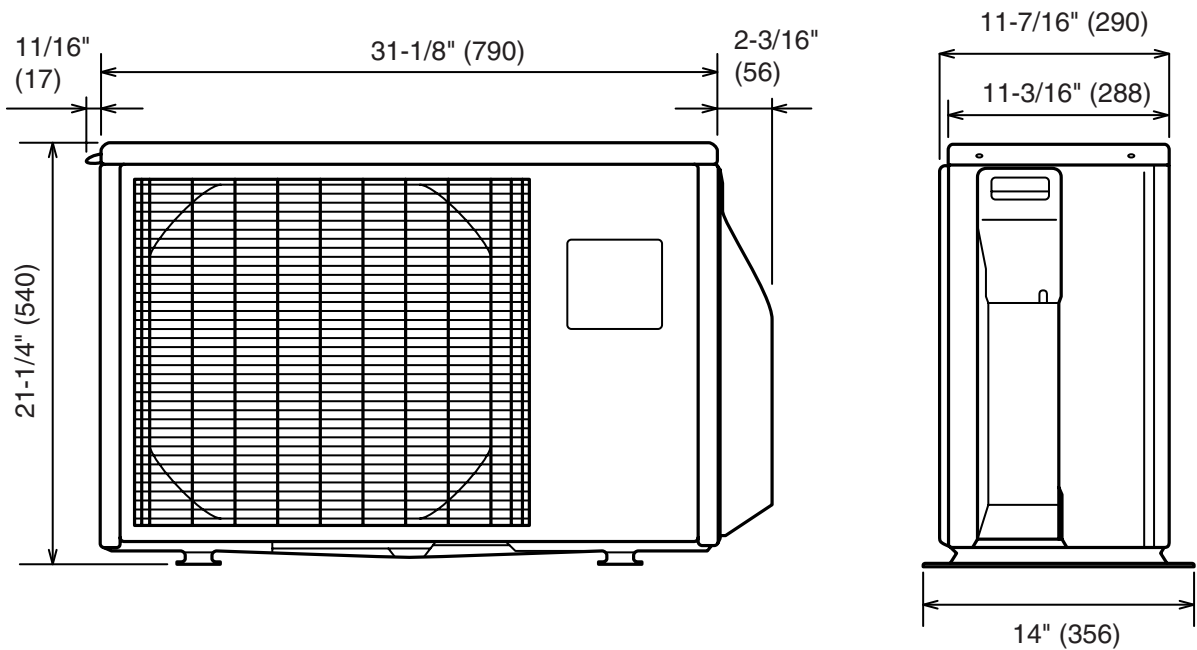
MW09C1F / MR09C1F

MW12C1F / MR12C1F

INDOOR UNIT

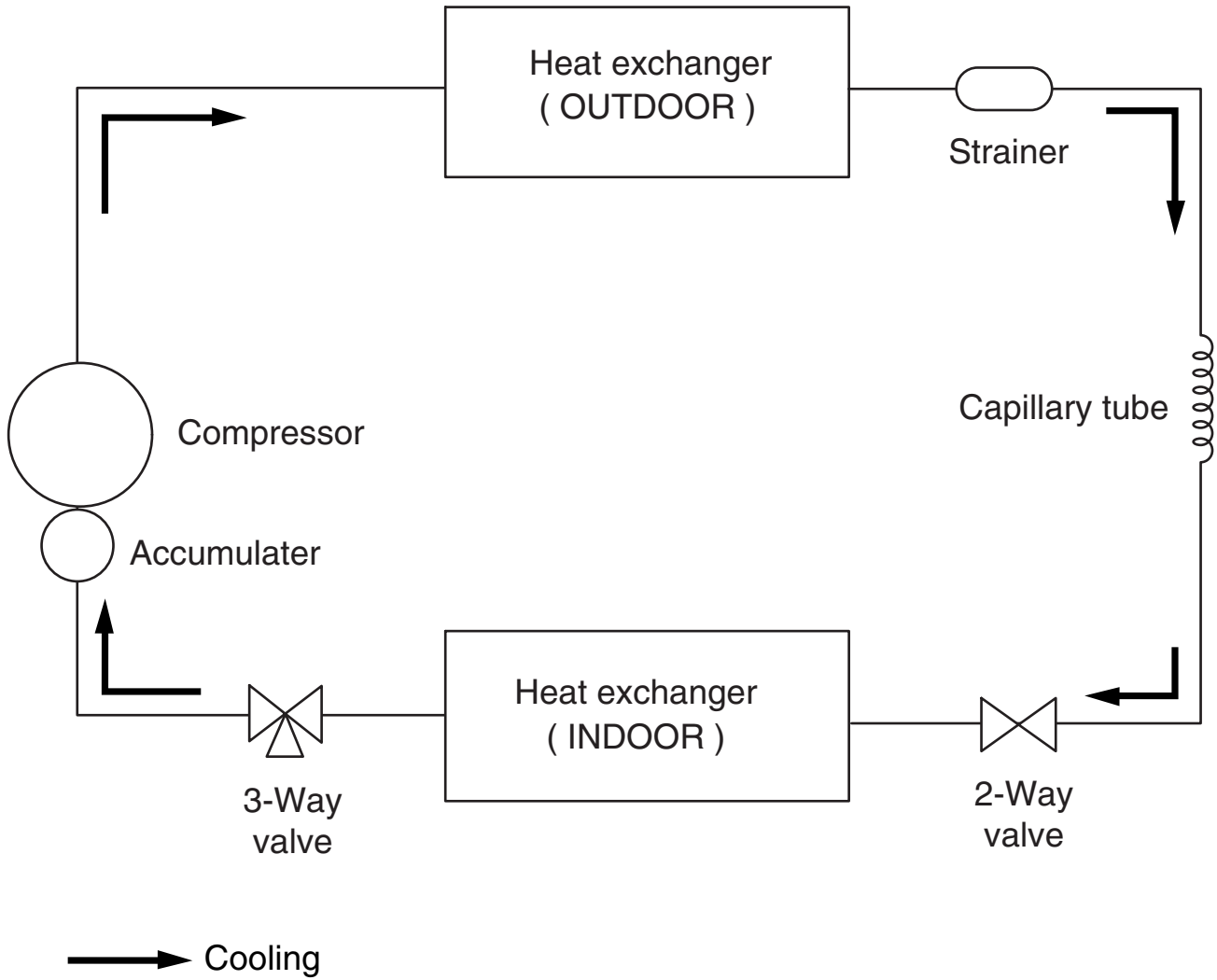


OUTDOOR UNIT



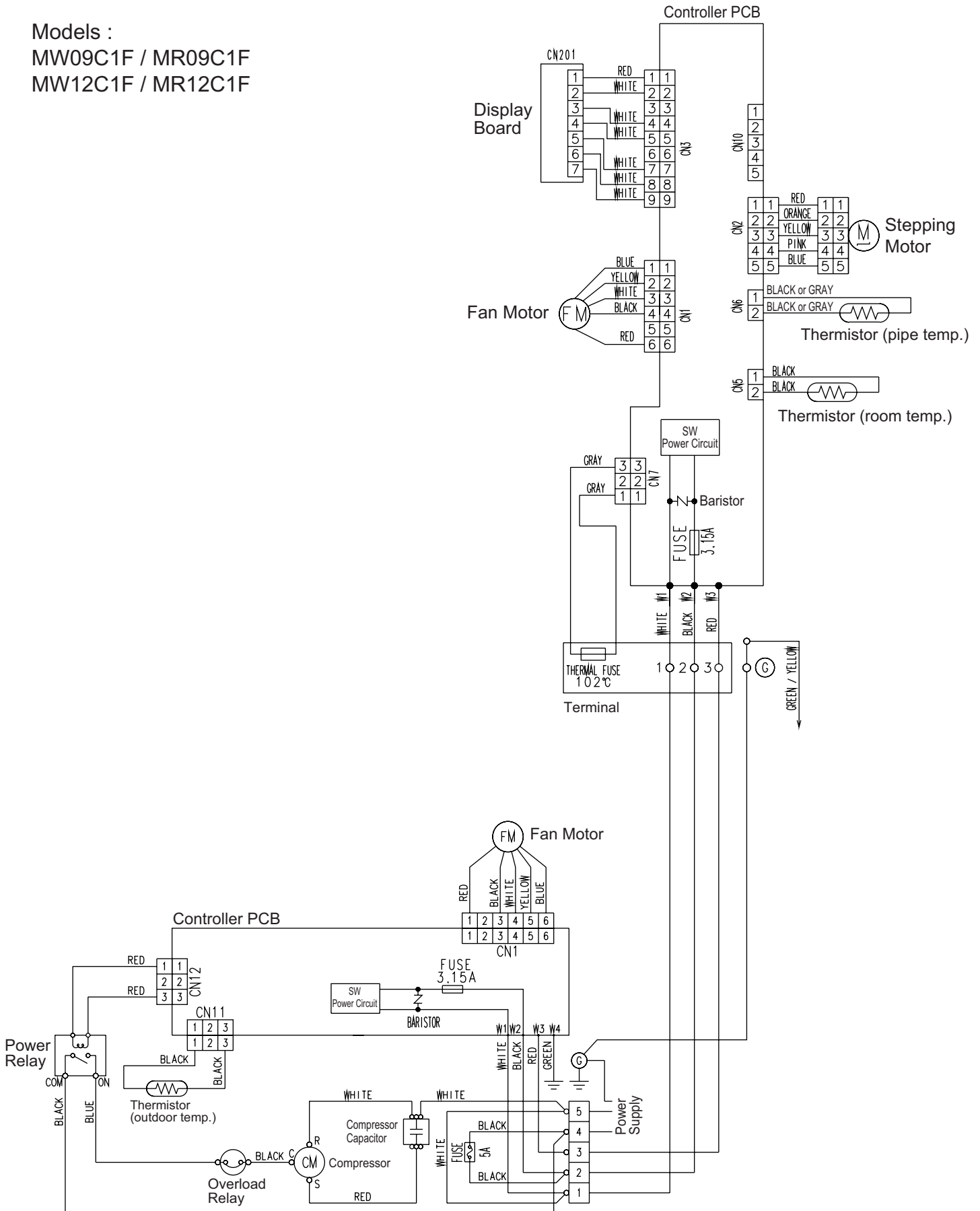
REFRIGERANT SYSTEM DIAGRAM

Models :
MW09C1F / MR09C1F
MW12C1F / MR12C1F



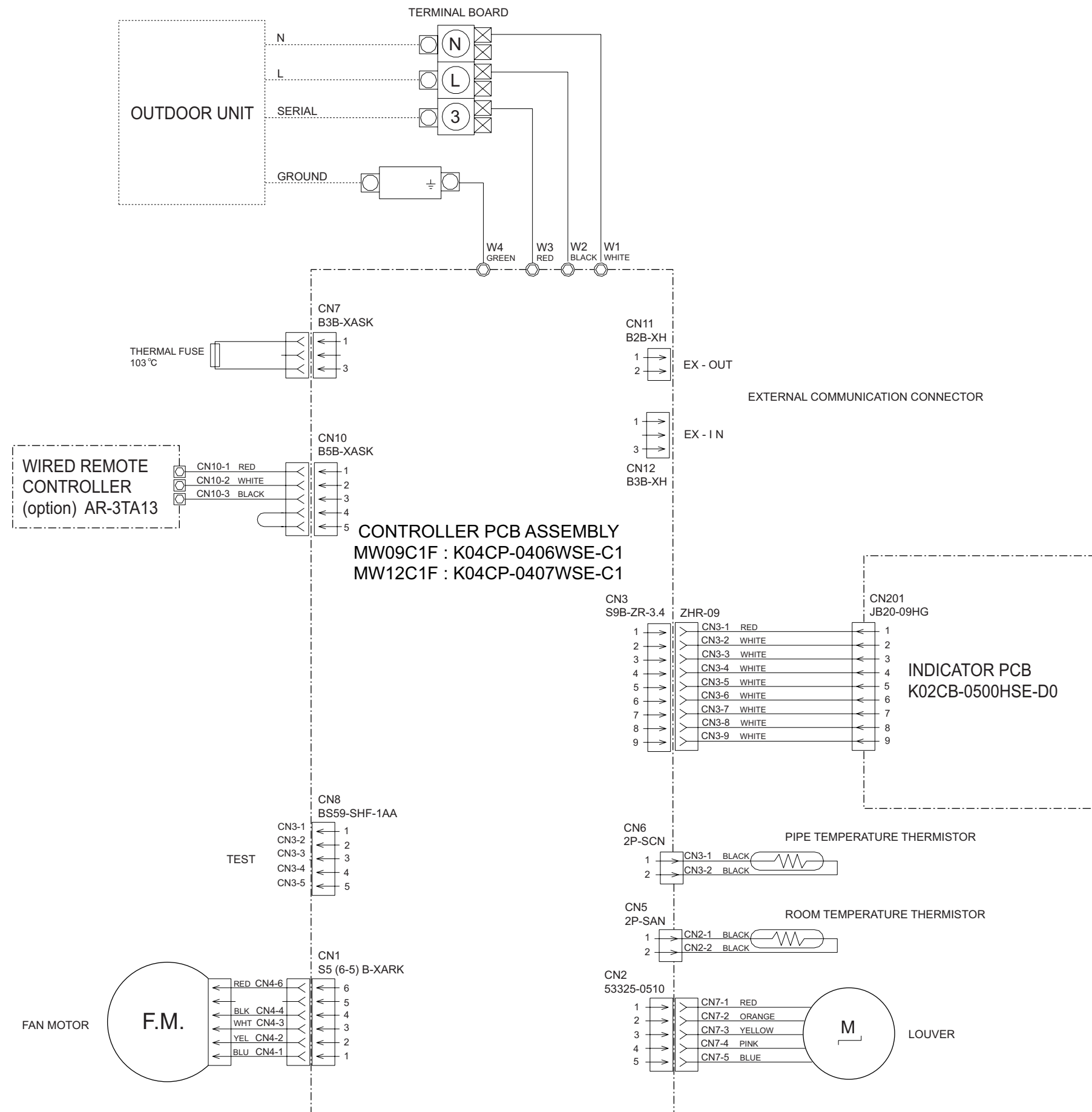
CIRCUIT DIAGRAM

Models :
 MW09C1F / MR09C1F
 MW12C1F / MR12C1F



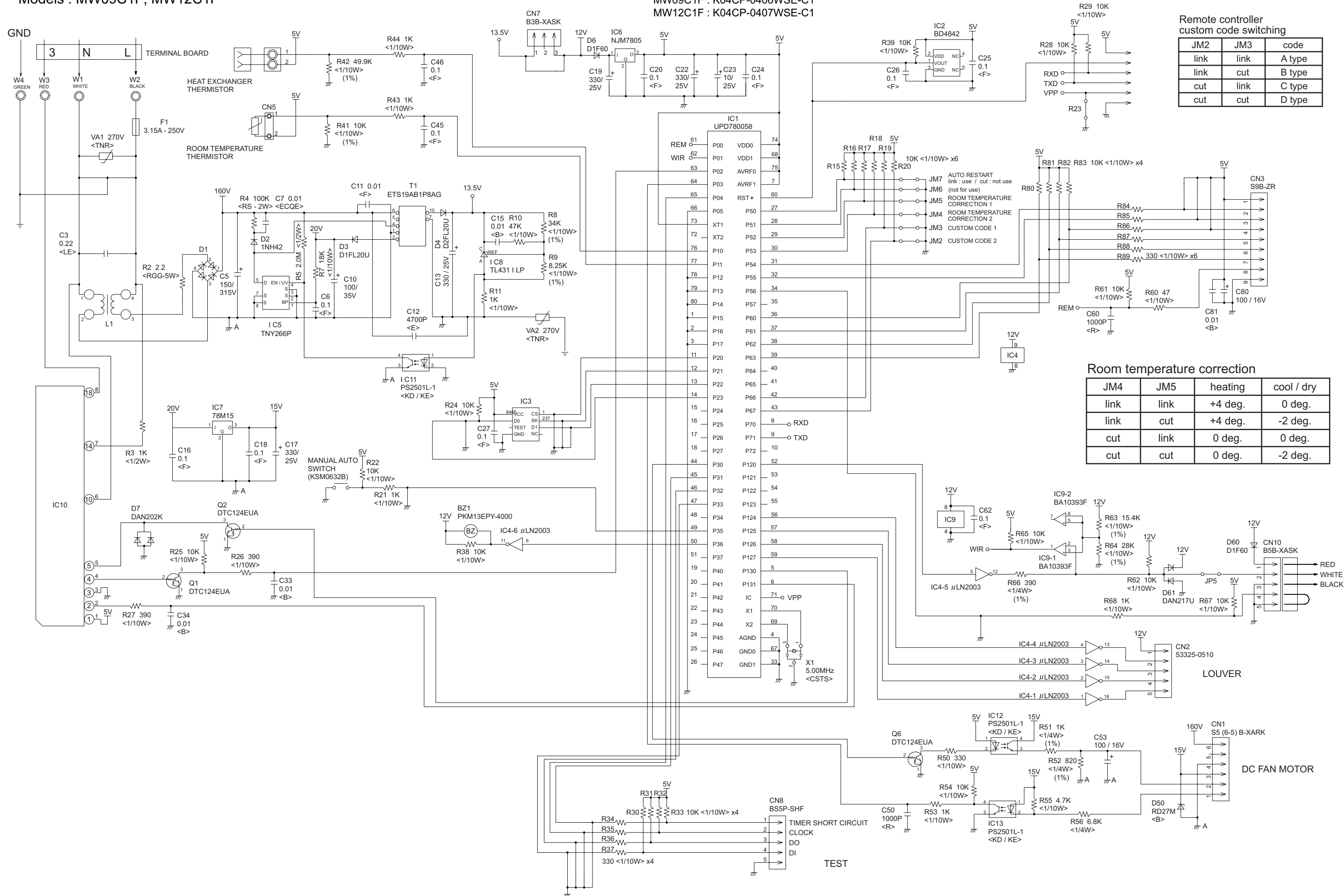
INDOOR PCIRCUITB CIRCUIT DIAGRAM

Models :
MW09C1F, MW12C1F



Models : MW09C1F, MW12C1F

CONTROLLER PCB ASSEMBLY
 MW09C1F : K04CP-0406WSE-C1
 MW12C1F : K04CP-0407WSE-C1



Remote controller custom code switching

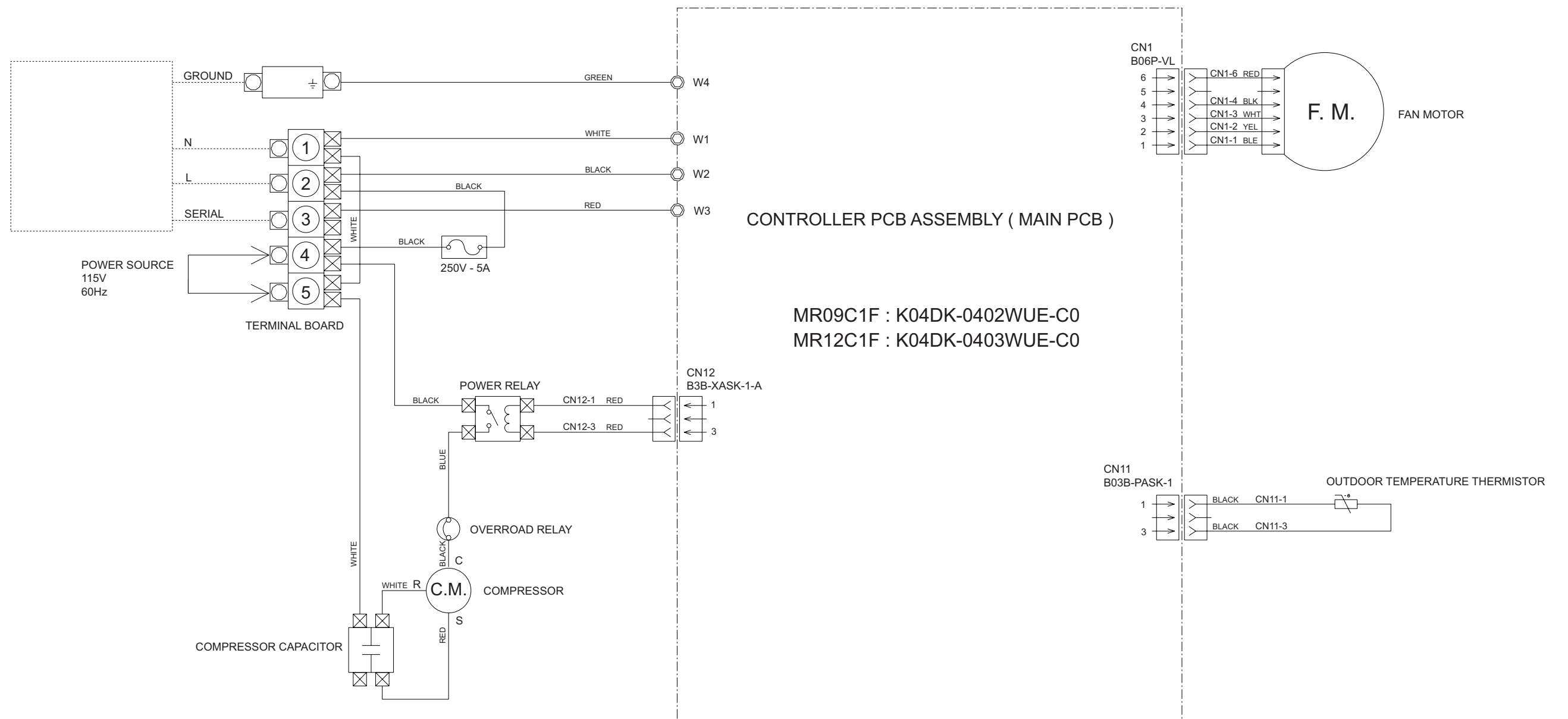
JM2	JM3	code
link	link	A type
link	cut	B type
cut	link	C type
cut	cut	D type

Room temperature correction

JM4	JM5	heating	cool / dry
link	link	+4 deg.	0 deg.
link	cut	+4 deg.	-2 deg.
cut	link	0 deg.	0 deg.
cut	cut	0 deg.	-2 deg.

OUTDOOR PCB CIRCUIT DIAGRAM

Models : MR09C1F, MR12C1F

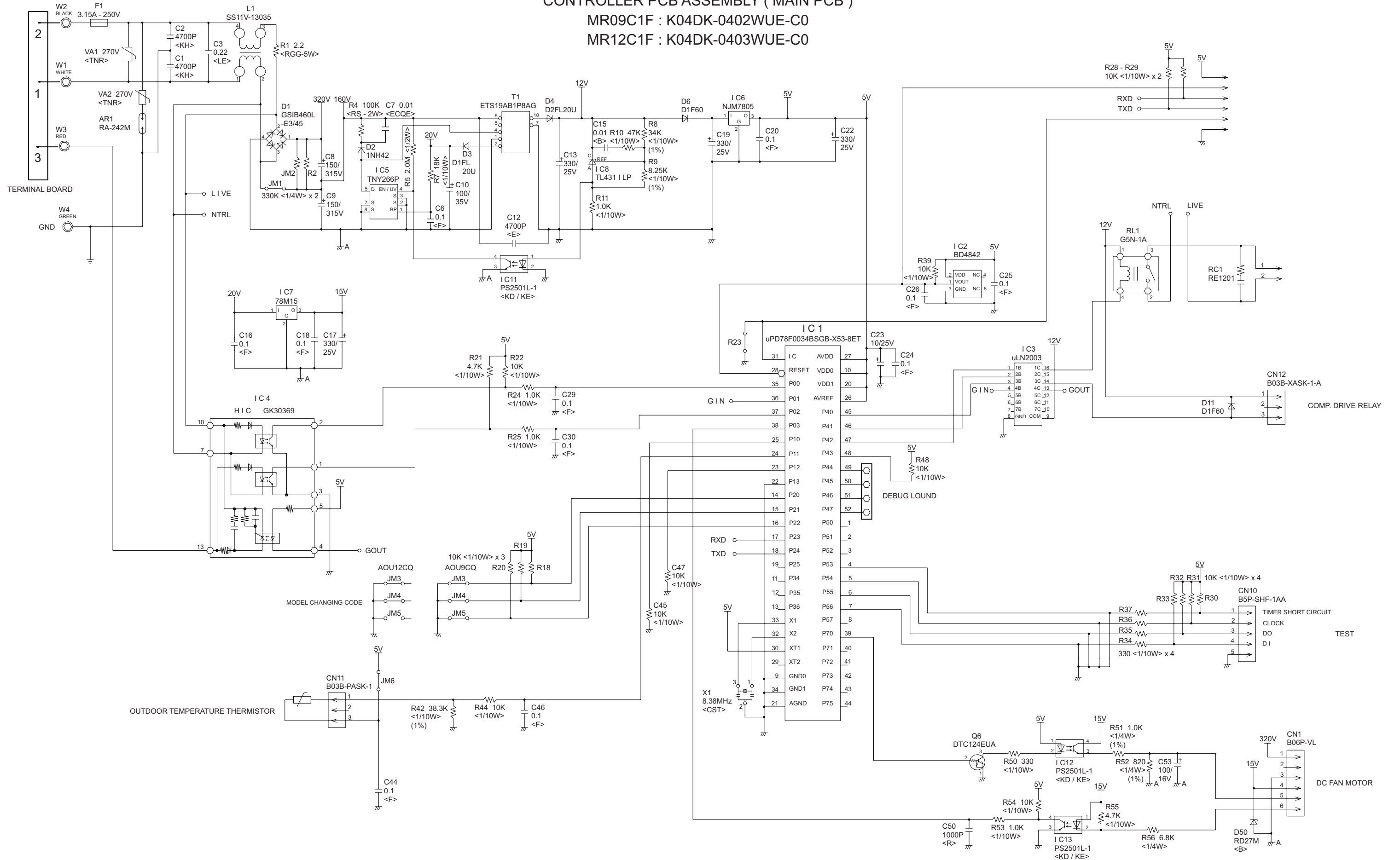


Models : MR09C1F, MR12C1F

CONTROLLER PCB ASSEMBLY (MAIN PCB)

MR09C1F : K04DK-0402WUE-C0

MR12C1F : K04DK-0403WUE-C0

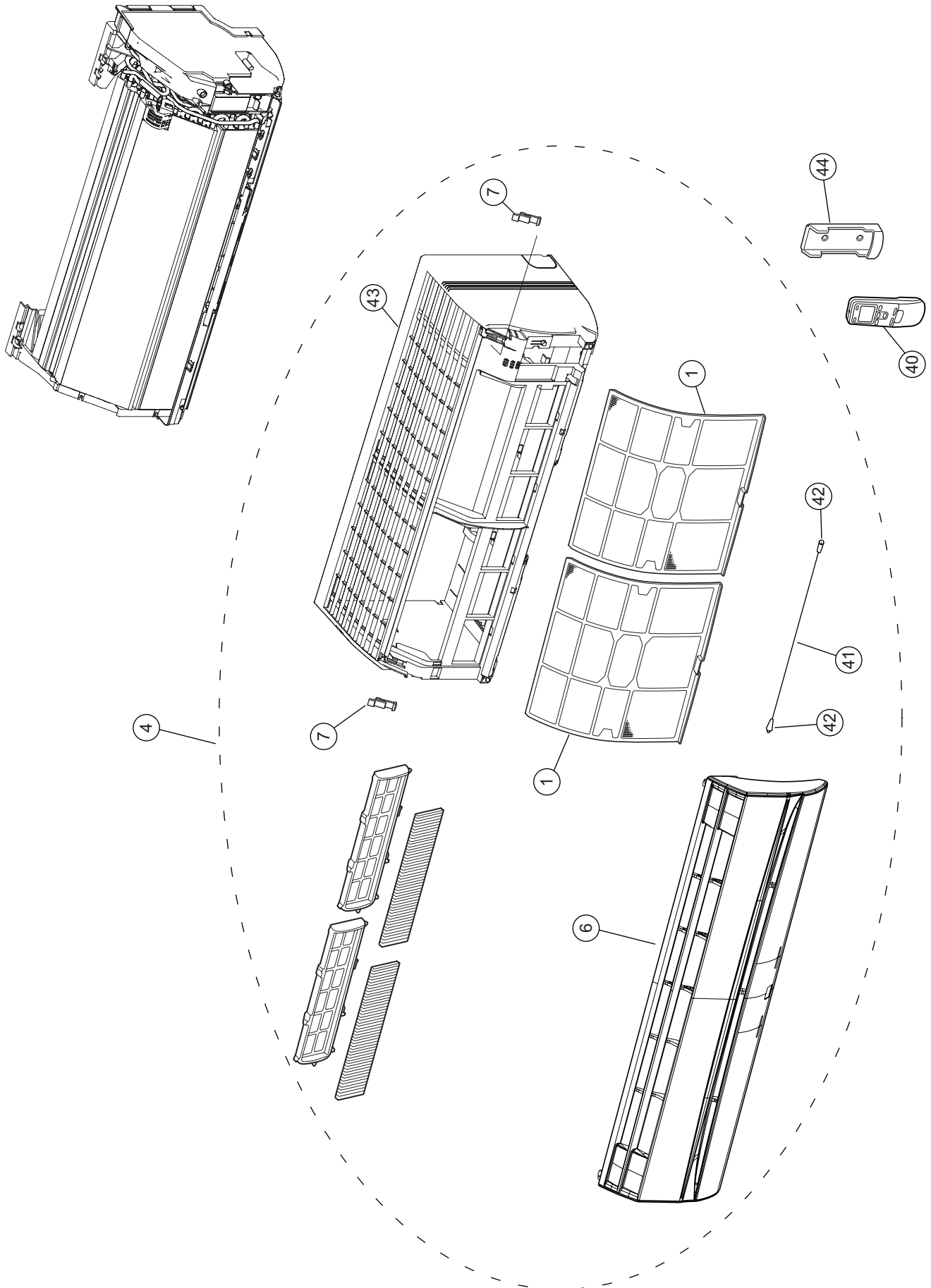


ERROR CONTENTS

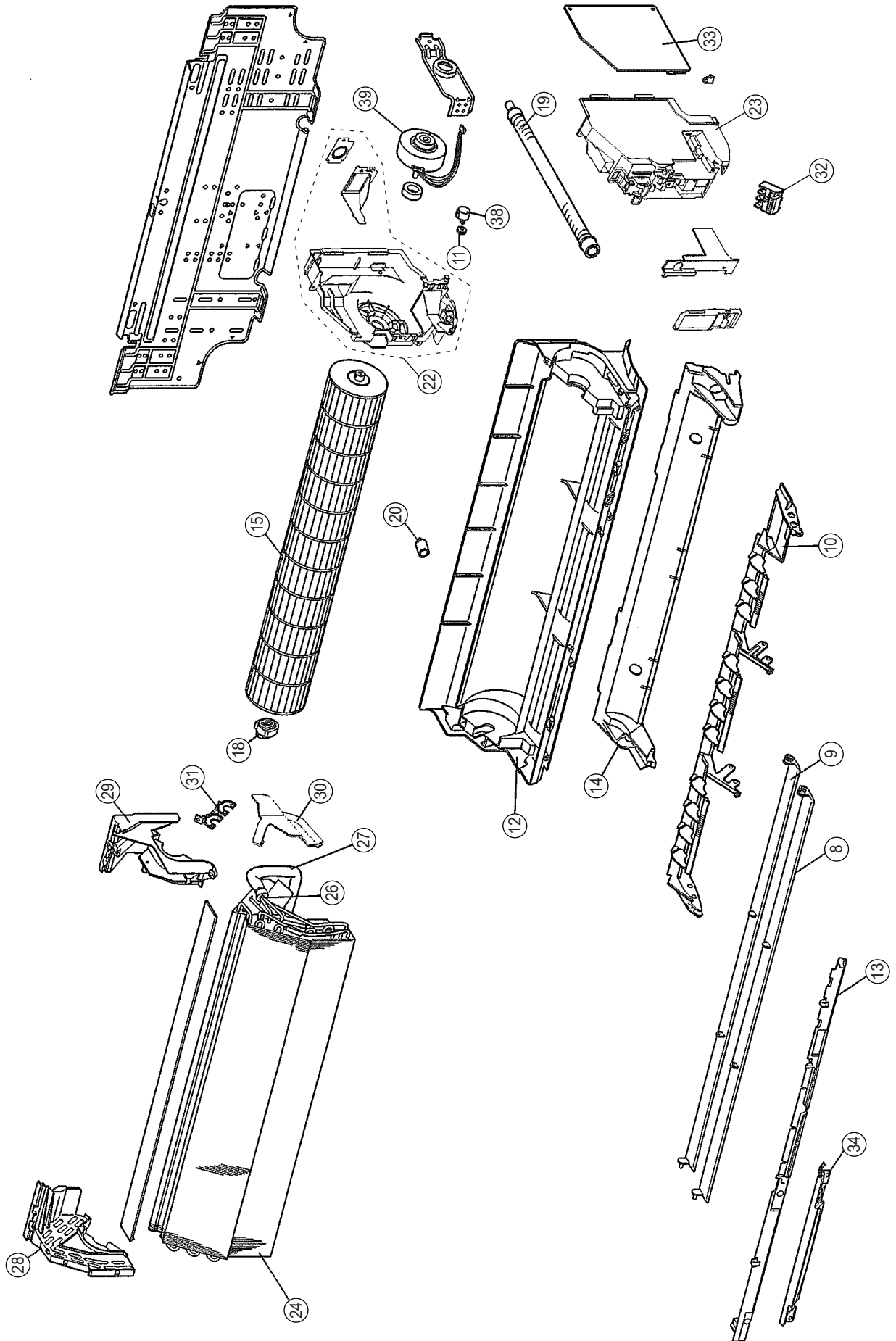
Kind of error	Indication on LED		Indication on wired remote controller	Contents
	Operation LED (red)	Timer LED (green)		
Communication	Off	0.5 sec / twice	01	Serial (reverse) error after operation
		0.5 sec / three times		Serial (reverse) error during operation
		0.5 sec / four times		Serial (forward) error after operation
		0.5 sec / five times		Serial (forward) error during operation
Indoor unit Thermistor	0.5 sec / twice	0.5 sec / twice	02	Room temp. thermistor error
		0.5 sec / three times		open / short
Outdoor unit Thermistor	0.5 sec / three times	0.5 sec / three times	06	Heat exchange (middle) thermistor error
		0.5 sec / four times		open / short
Indoor unit PCB	0.5 sec / four times	0.5 sec / eight times	21	Heat exchange thermistor error
				0.5 sec / three times
Outdoor unit PCB	0.5 sec / five times	0.5 sec / six times	0A	Outdoor temp. thermistor error
				0.5 sec / four times
Indoor unit fan motor	0.5 sec / six times	0.5 sec / twice	1b	Opposite VDD permanent stop protection
		0.5 sec / three times		(Electric aircleaner, circuit error)
Power supply	0.1 sec flashing on red and orange LED		No Indication	Outdoor unit fan control error
Model distinction	0.1 sec flashing on all LED		12	Lock
			11	r.p.m abnormal
				Power supply abnormal
				Model distinction error

DISASSEMBLY ILLUSTRATION

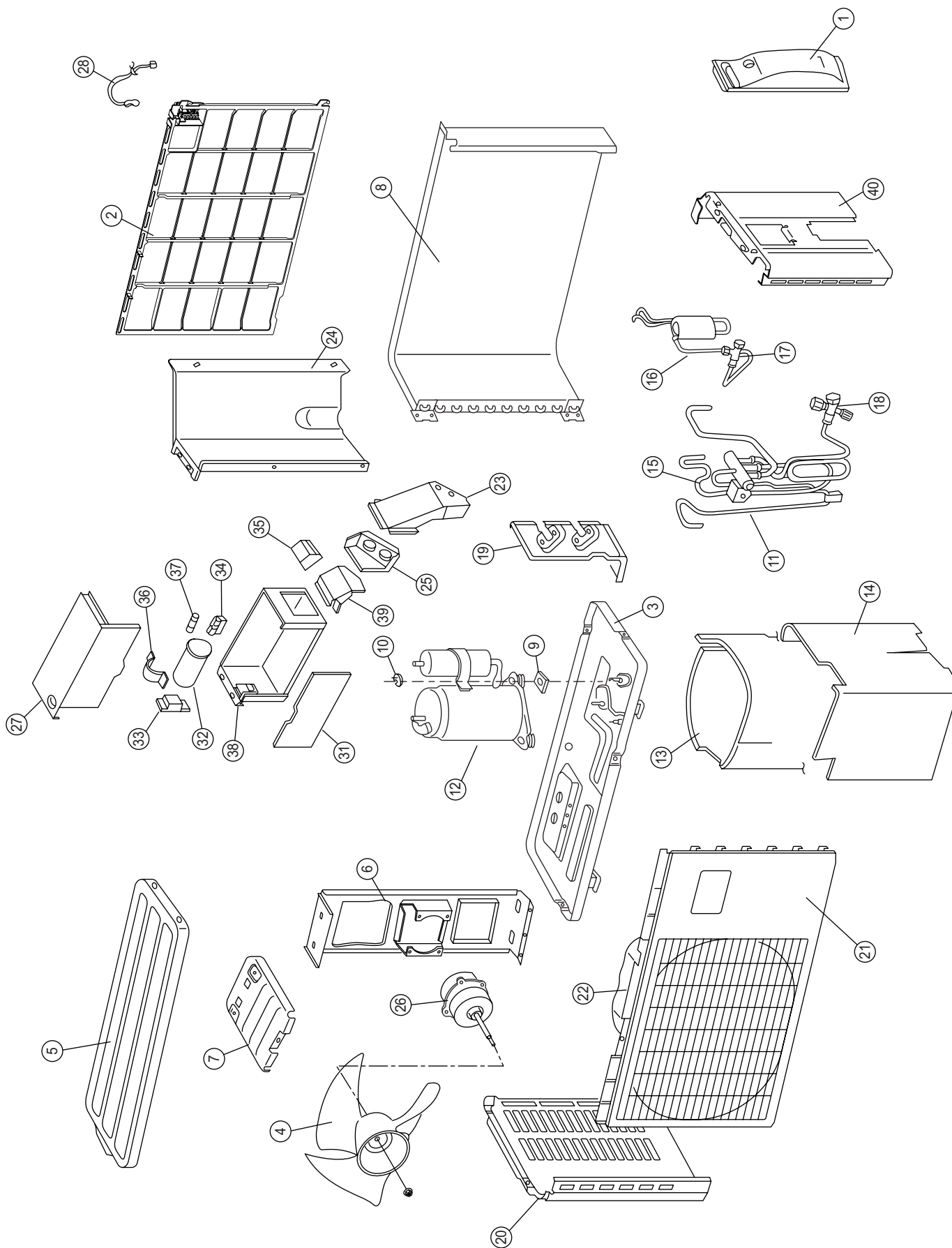
INDOOR UNIT



INDOOR UNIT



OUTDOOR UNIT



PARTS LIST

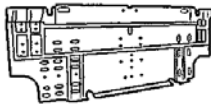
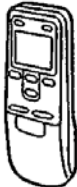
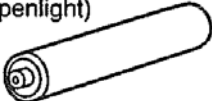




INDOOR UNIT

Ref. No	Description	Part No.		Ord. Q'ty
		MW09C1F	MW12C1F	
1	AIR FILTER	67201200	67201200	
4	FRONT PANEL COMPLETE	67201201	67201201	
6	INTAKE GRILLE ASSY	67201202	67201202	
7	GRILLE CLAMP	67200936	67200936	
8	LOUVER U	67201203	67201203	
9	LOUVER Z	67201204	67201204	
10	LOUVER HOLDER	67201205	67201205	
11	GEAR-A	67201206	67201206	
12	CASING ASSY	67201207	67201207	
13	CASING COVER-F	67201208	67201208	
14	CASING COVER-B	67201209	67201209	
15	CROSS FLOW FAN ASSY	67201210	67201210	
18	SHAFT HOLDER-C	67200922	67200922	
19	DRAIN HOSE ASSY	67200913	67200913	
20	DRAIN CAP ASSY	67201211	67201211	
22	SWITCH BOX ASSY	67201212	67201212	
23	BOX SWITCH			
24	EVAPORATOR ASSY	67201214	67201214	
25	EVAPORATOR SEAL			
26	JOINT PIPE ASSY	67201216	67201216	
27	INSULATION (PIPE) E	67201217	67201217	
28	HOLDER (EVAP)-L	67201218	67201218	
29	HOLDER (EVAP)-R	67201219	67201219	
30	WATER SEAL	67201220	67201220	
31	EVAPORATOR BRACKET	67201221	67201221	
32	TERMINAL	67201222	67201222	
33	CONTROLLER PCB ASSY	67201223	67201231	
34	DISPLAY PCB ASSY	67201224	67201224	
38	STEP MOTOR	67201225	67201225	
39	FAN MOTOR	67201226	67201226	
40	REMOTE CONTROL	67201227	67201227	
41	GRILLE GUARD	67201228	67201228	
42	BUSHING	67201229	67201229	
43	FRONT PANEL	67201230	67201230	
44	REMOTE CONTROL HOLDER	67203202	67203202	

OUTDOOR UNIT

Ref. No	Description	Part No.		Ord. Q'ty
		MR09C1 F	MR12C1 F	
1	COVER (SWITCH (67201300	67201300	
2	PROTECTIVE NET	67201301	67201301	
3	BASE PAN	67201302	67201302	
4	FAN BLADE	67201303	67201303	
5	PANEL, TOP	67201304	67201304	
6	MOTOR BRACKET	67201305	67201305	
7	REM PLATE	67201306	67201306	
8	CONDENSER ASY	67201307	67201338	
9	SPACER (RUBBER)	67201308	67201308	
10	NUT, SPECIAL ASSY	67201309	67201309	
11	DISCHARGE TUBE	67201310	67201339	
12	COMPRESSOR	67201311	67201340	
13	COMRESSOR BLANKET -A	67201312	67201312	
14	COMRESSOR BLANKET -B	67201313	67201313	
15	SUCTION TUBE	67201314	67201314	
16	CAPILLARY ASSY	67201315	67201341	
17	2-WAY VALVE ASSY	67201316	67201316	
18	3-WAY VALVE ASSY	67201317	67201317	
19	BRACKET, VALVE	67201318	67201318	
20	CABINET, LEFT SIDE	67201319	67201319	
21	PANEL (FRONT)	67201320	67201320	
22	RING (FAN)	67201321	67201321	
23	COVER TERMINAL C	67201322	67201322	
24	SEPARATER C	67201323	67201323	
25	BRACKRT CONDUIT	67201324	67201324	
26	FAN MOTOR	67201325	67201325	
27	CONTROL COVER	67201326	67201326	
28	THERMISTOR (OUTDOOR)	67201327	67201327	
31	PWB ASSY	67201328	67201342	
32	CAPACITOR	67201329	67201329	
33	RELAY	67201330	67201330	
34	FUSE HOLDER	67201331	67201331	
35	TERMINAL	67201332	67201332	
36	CLAMP, CAPACITOR	67200954	67200954	
37	FUSE	67201333	67201333	
38	CONTROL BOX ASSY	67201334	67201334	
39	BRACKET TERMINAL	67201335	67201335	
40	CABINET RIGHT	67201336	67201336	
*	EMBLEM REAR, FRIEDRICH	67201337	67201337	

STANDARD ACCESSORIES

Name and Shape	Q'ty	Use
Wall hook bracket 	1	For indoor unit installation 9310001004
Remote control unit 	1	Use for air conditioner operation 9313693077
Battery (penlight) 	1	For remote control unit 0600185527
Cloth tape 	1	For indoor unit installation 9310519004
Remote control unit holder 	1	Use as remote control unit holder 9305642014
Tapping screw (big) (ø4 × 20) 	8	For wall hook bracket installation 0700076046
Tapping screw (small) (ø3 × 12) 	2	For remote control unit holder installation 0700019036

