

This Owner's Manual is provided and hosted by [Appliance Factory Parts](#).



Broil-Mate 1722-4 Owner's Manual

[Shop genuine replacement parts for Broil-Mate 1722-4](#)



[Find Your Broil-Mate Grill Parts - Select From 682 Models](#)

----- Manual continues below -----



E-Z BILT BARBECUES

ASSEMBLY MANUAL & PARTS LIST

MANUEL DE MONTAGE & LISTE DE PIÈCES



broil-mate™

1302-4
1302-4W

STERLING.6

1102-4
1102-4S



broil-mate™

1322-4

STERLING.6

1122-4



broil-mate™

1371-4
1379-4

STERLING.6

1710-4
1719-4S



broil-mate™

1372-4

STERLING.6

1722-4
1729-4

RETAIN FOR FUTURE REFERENCE

VEUILLEZ CONSERVER POUR REFERENCE ULTERIEURE

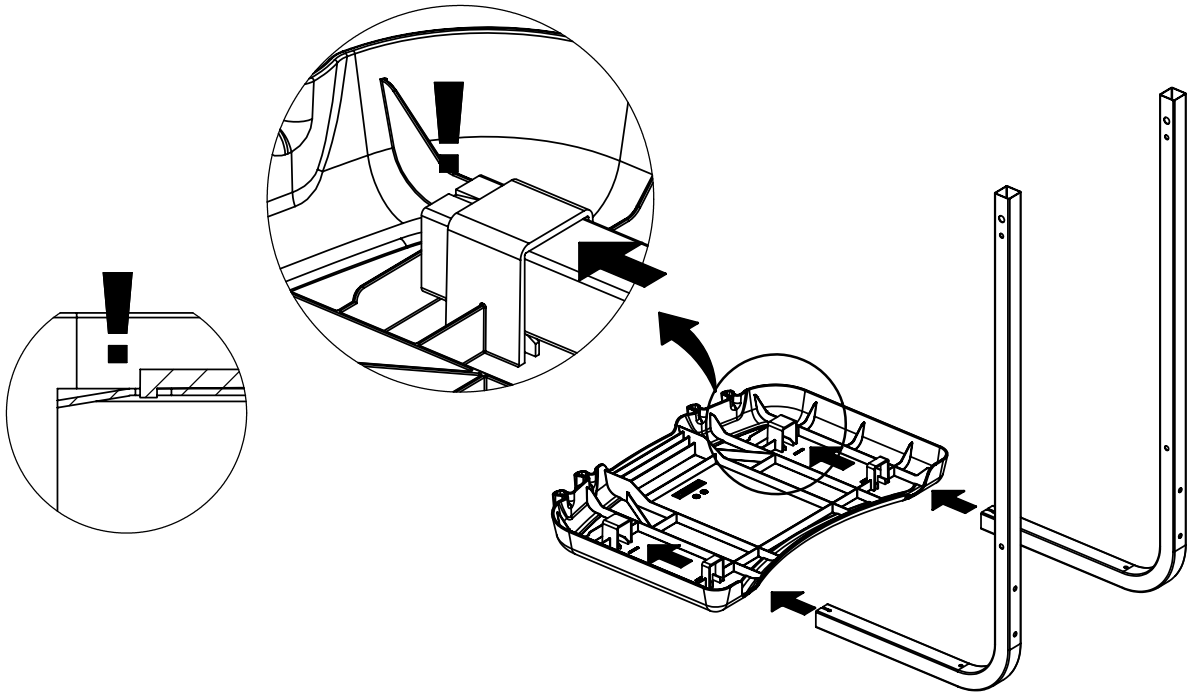
1-800-265-2150

info@omcbbq.com

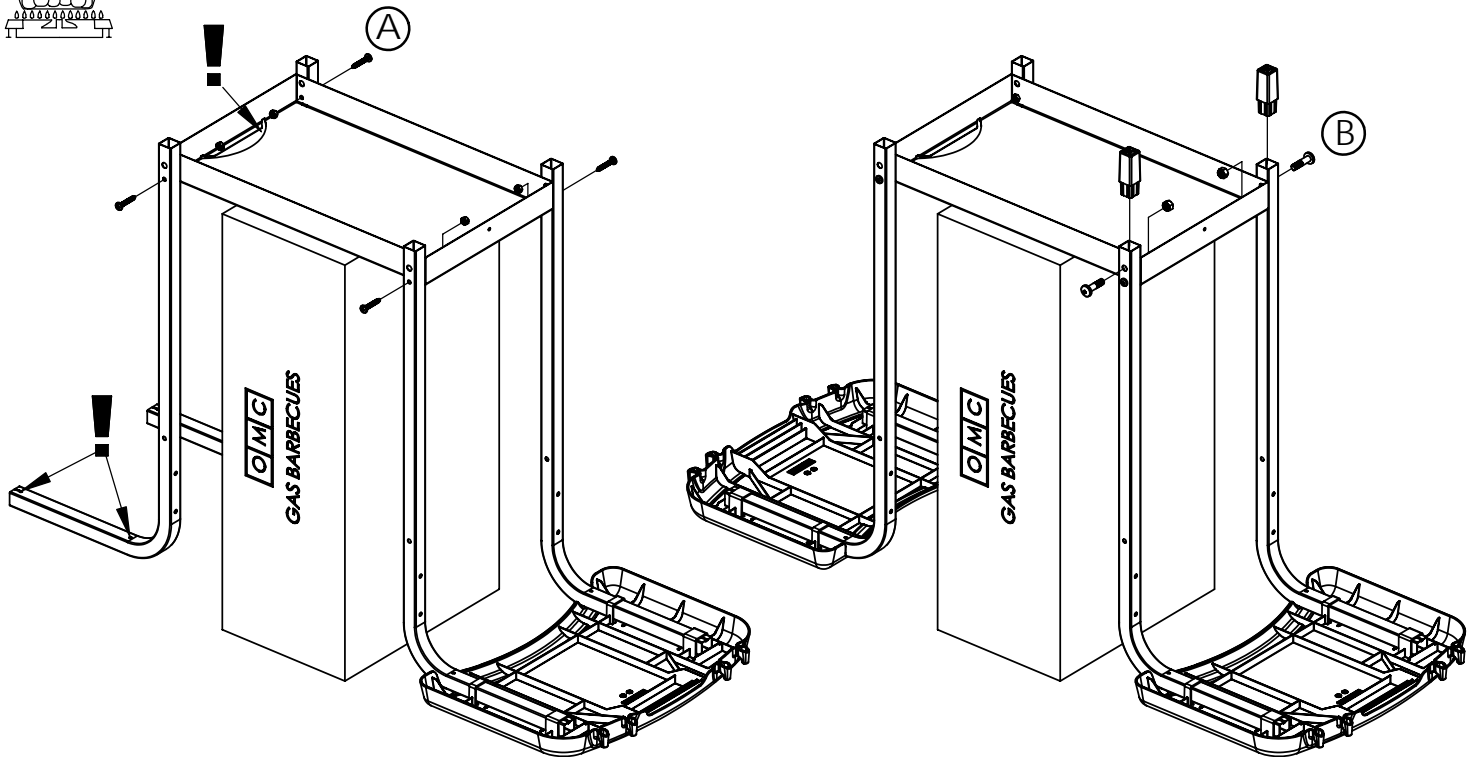
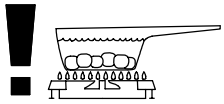
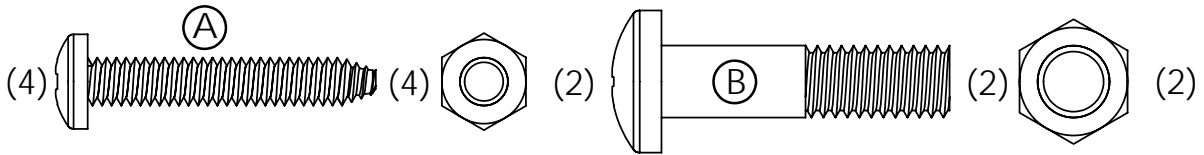
Onward
MANUFACTURING COMPANY LIMITED
SINCE 1906
585 KUMPF DRIVE
WATERLOO, ONTARIO, CANADA
N2V 1K3

S18422 REV F 03/07

1

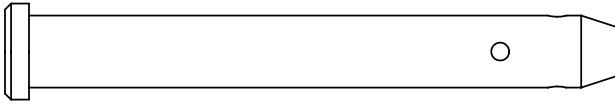


2

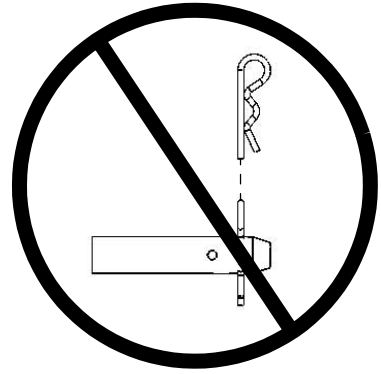
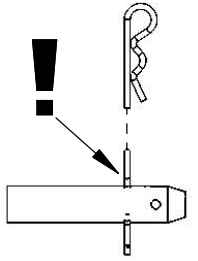
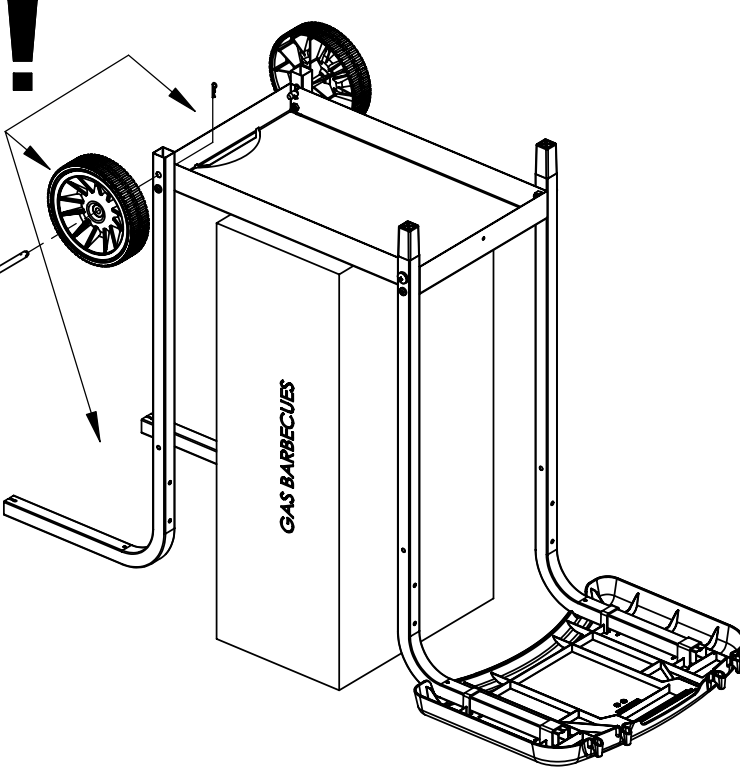
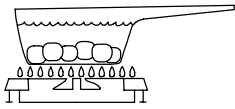
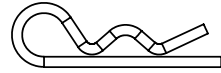


3

(2)

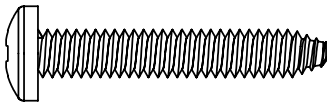


(2)

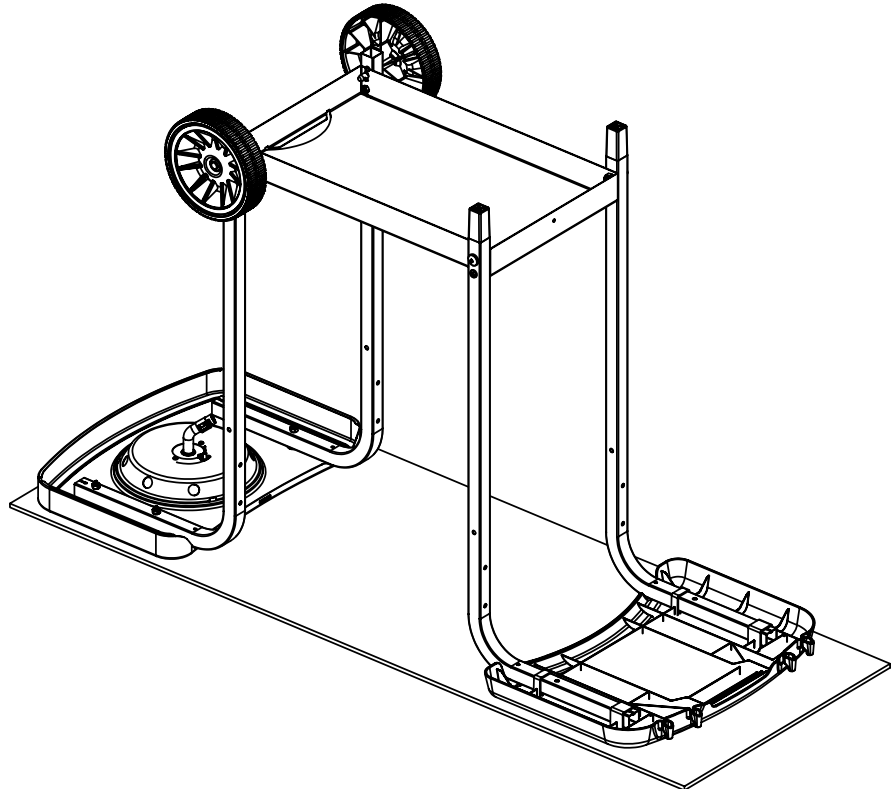
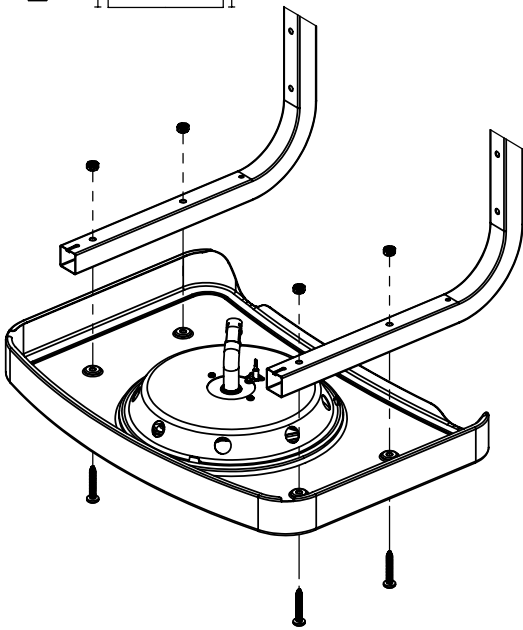
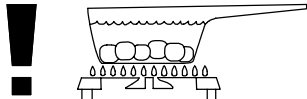
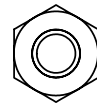


4

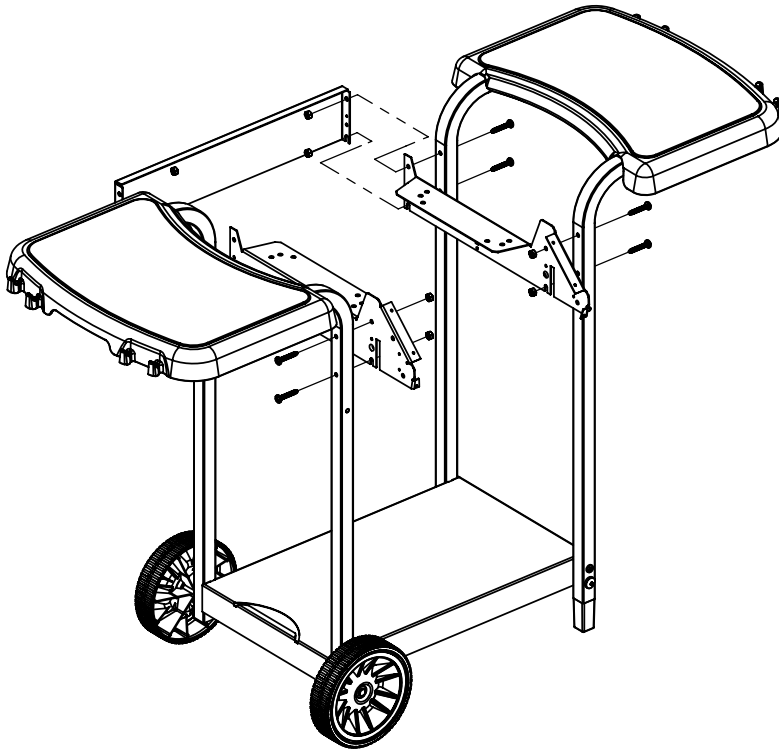
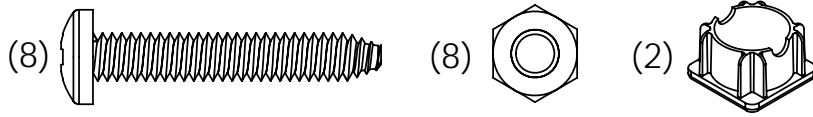
(4)



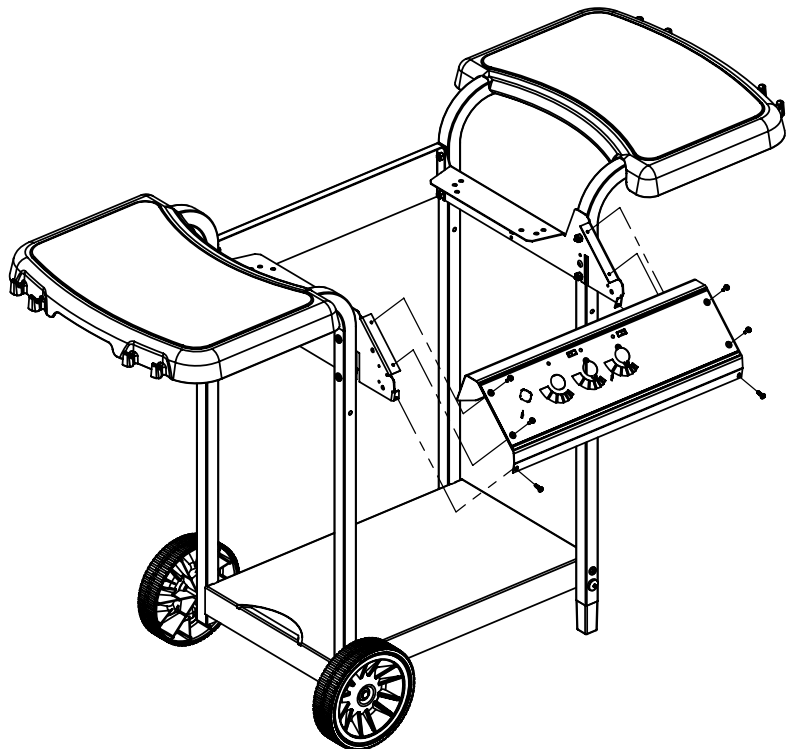
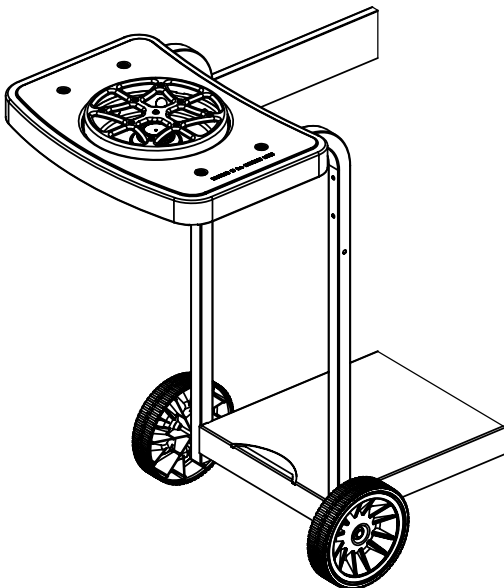
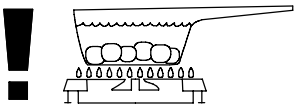
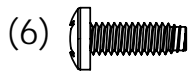
(4)

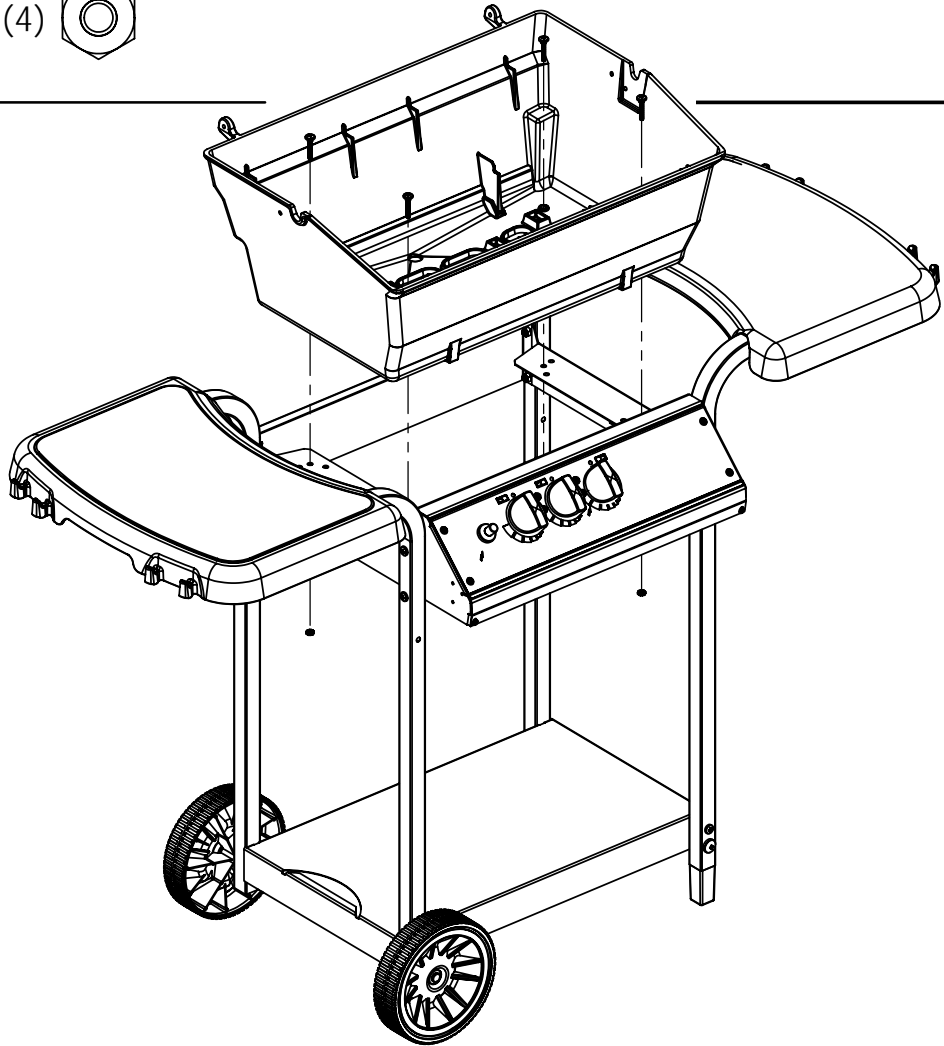
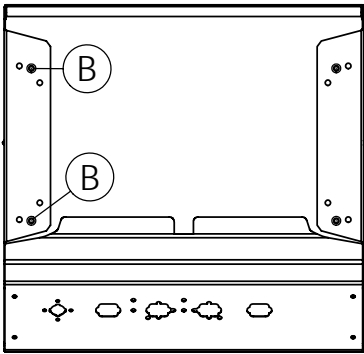
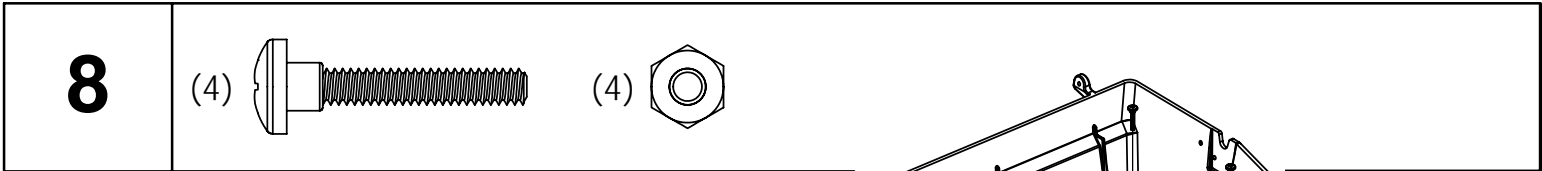
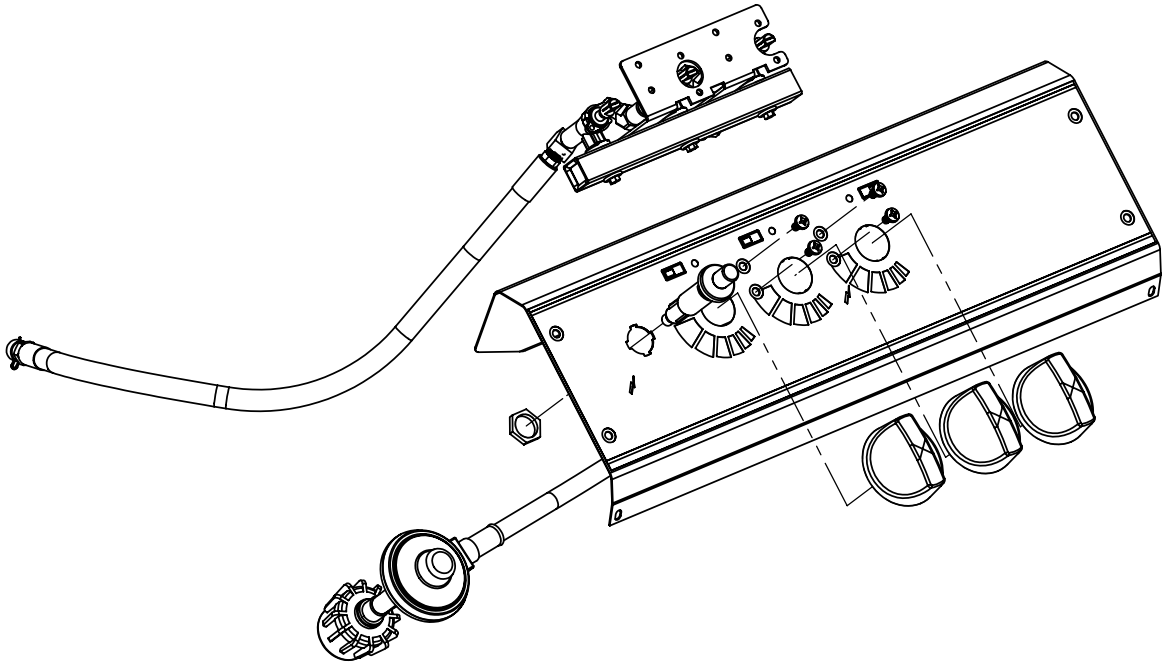
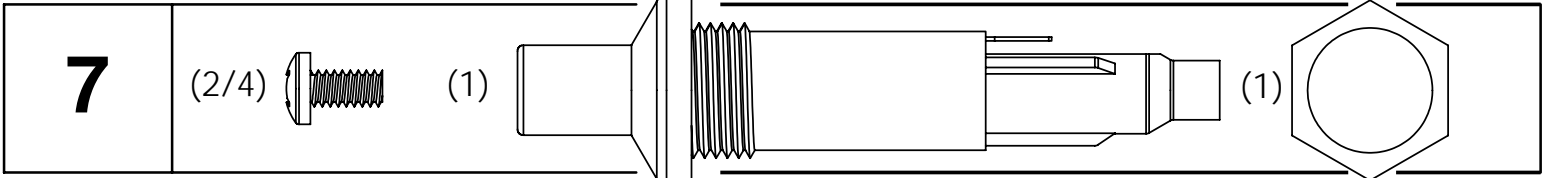


5

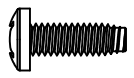


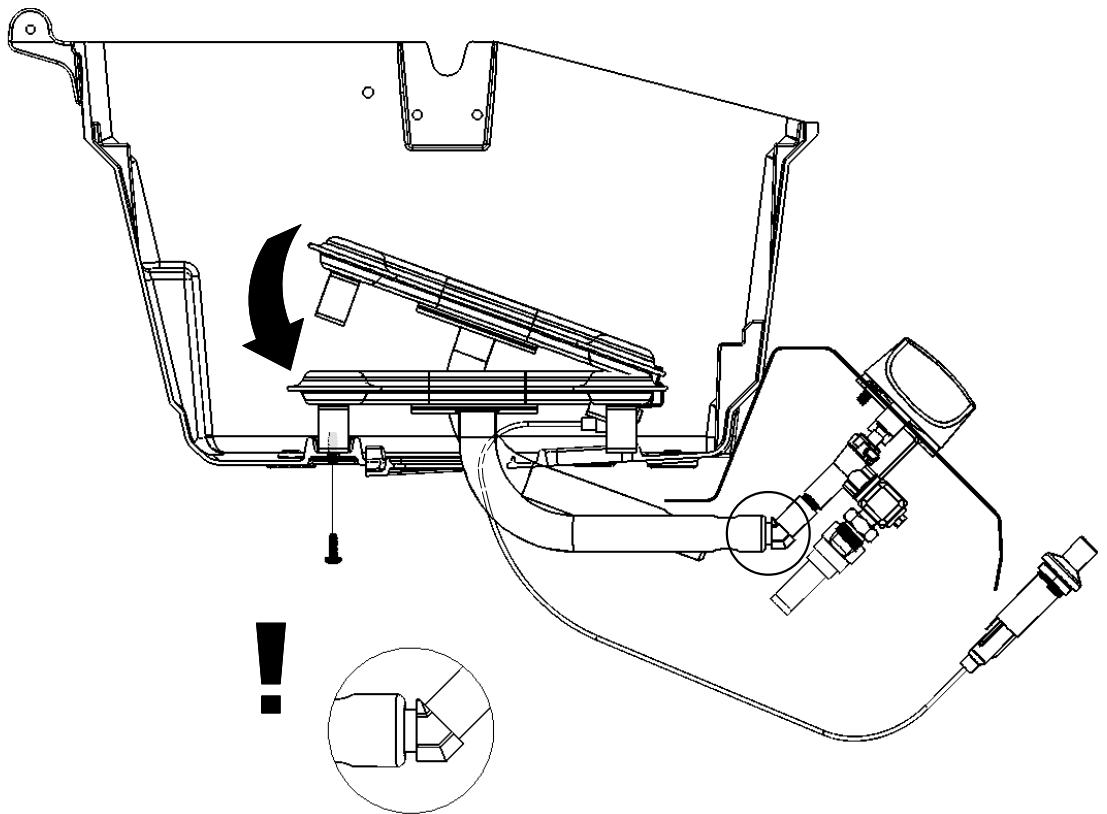
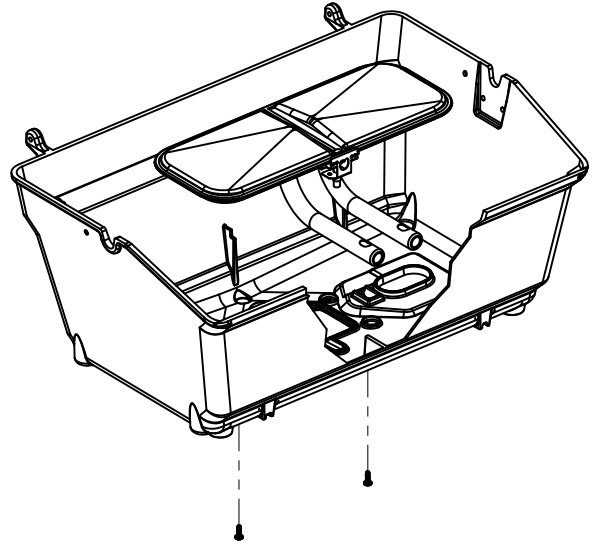
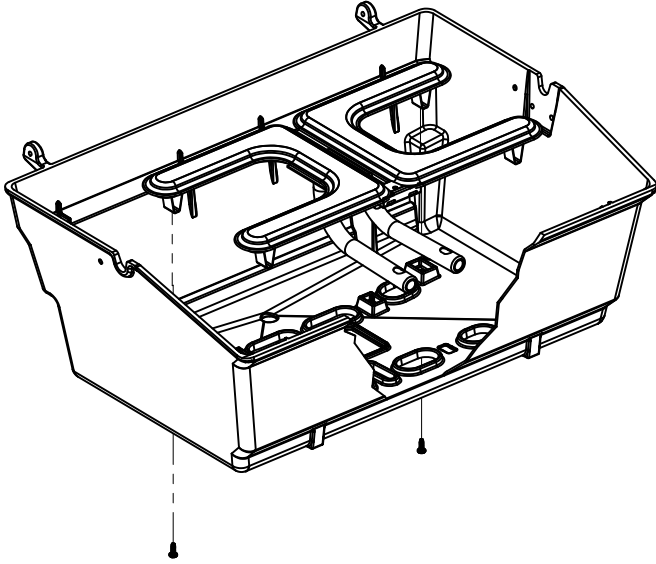
6



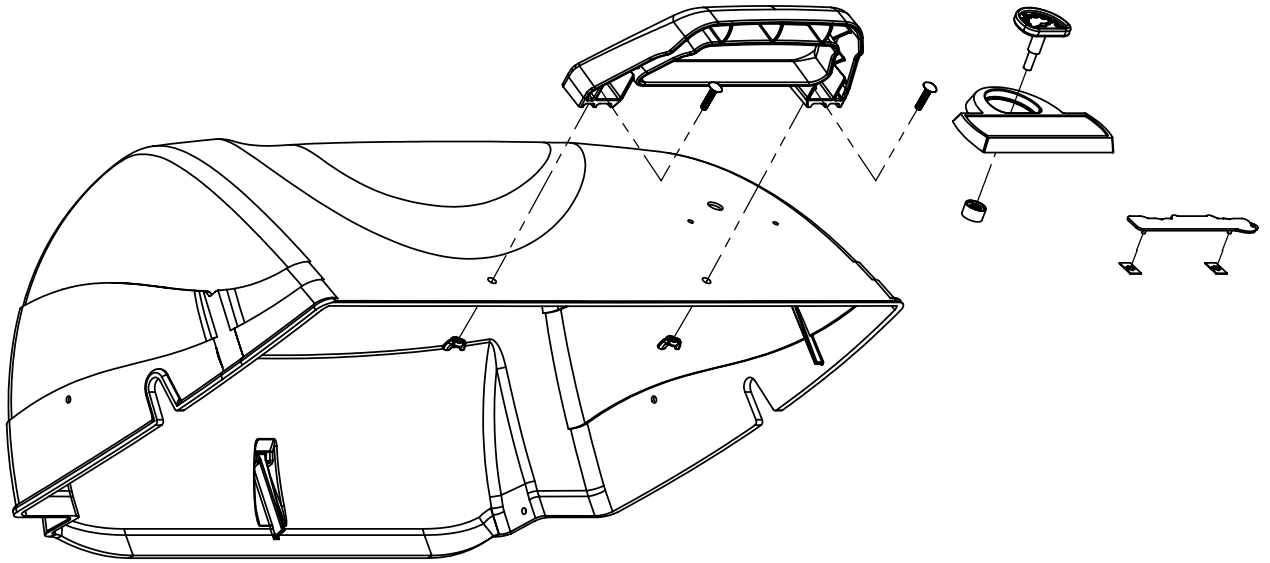
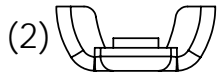
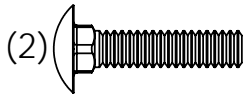


9

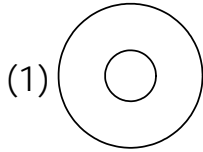
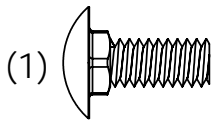
(2) 



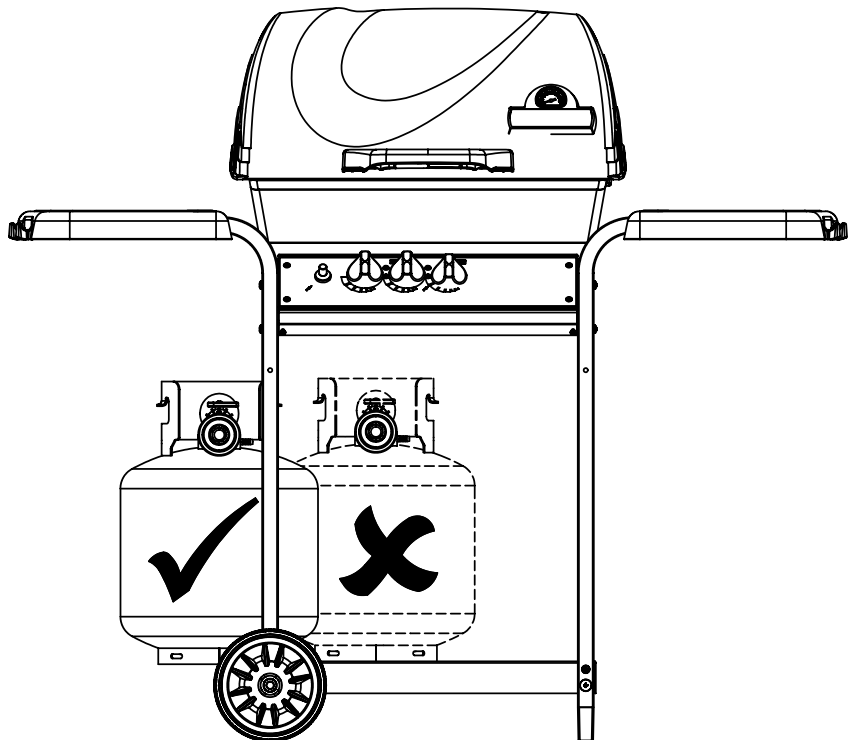
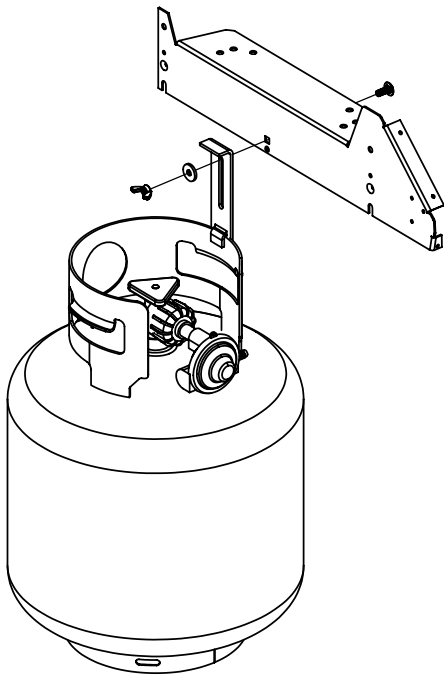
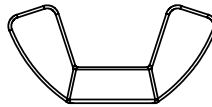
10

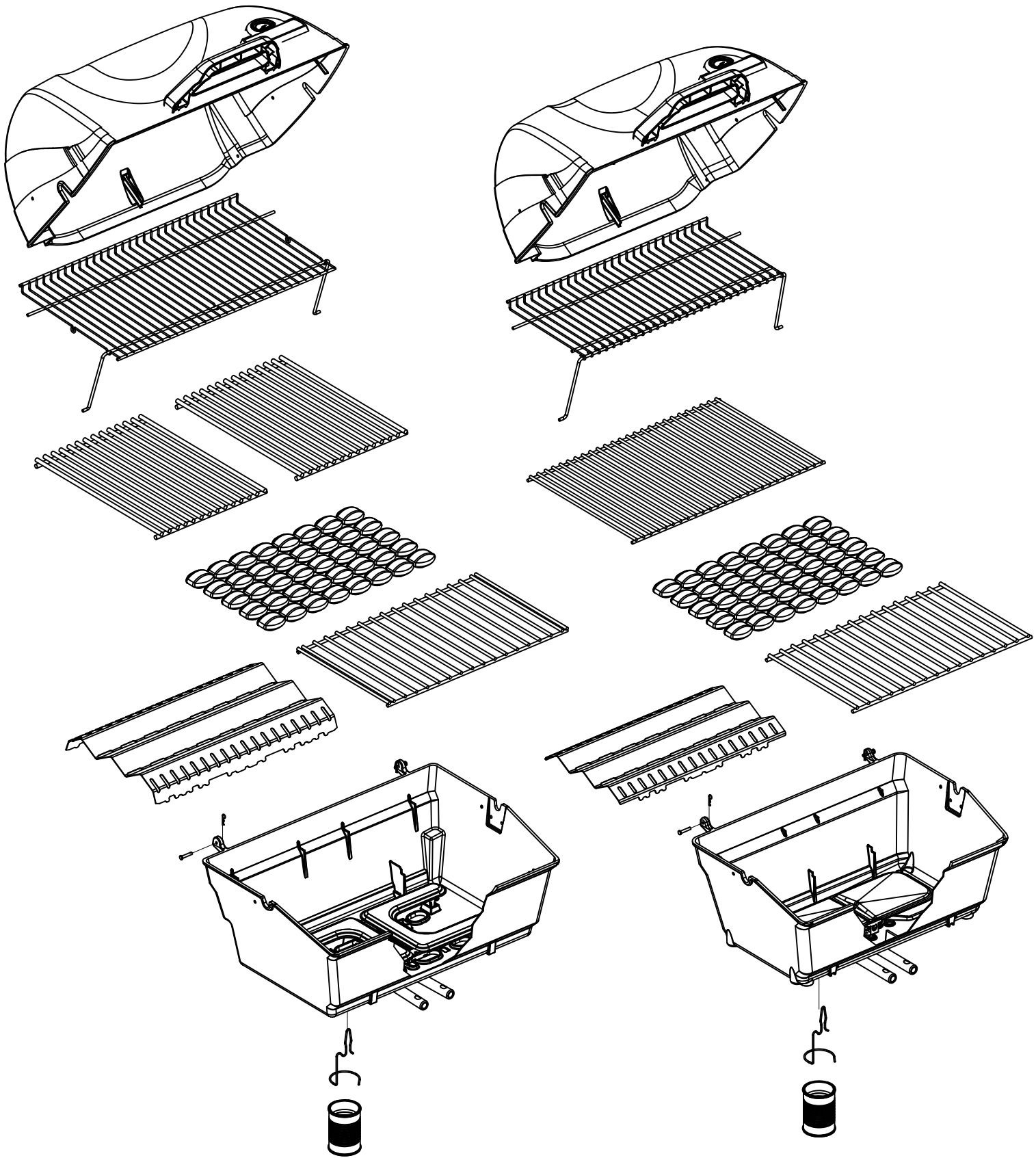


11



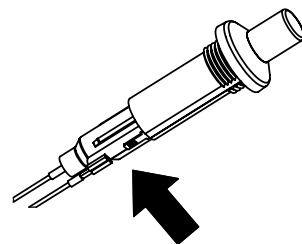
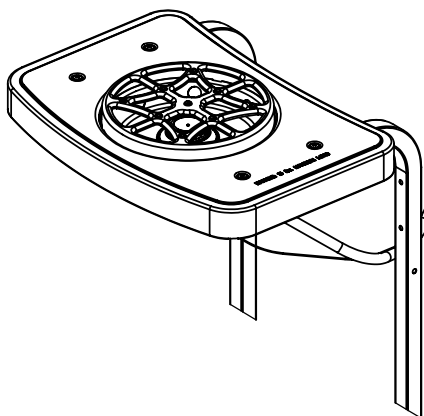
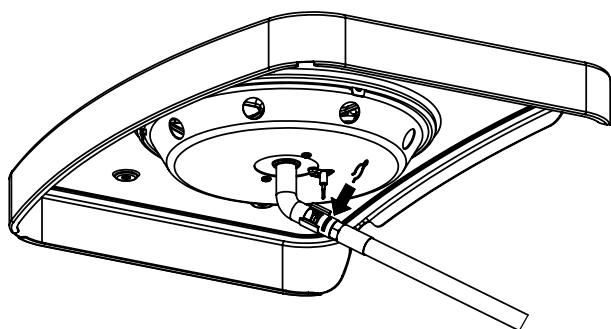
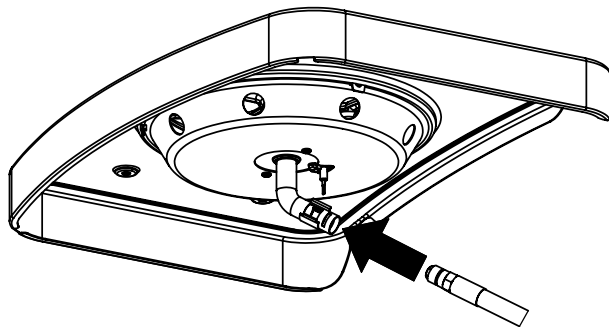
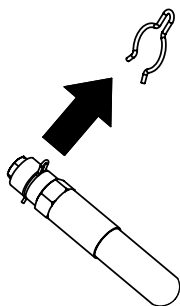
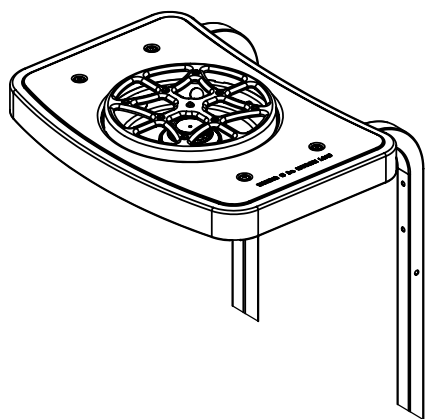
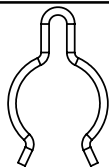
(1)





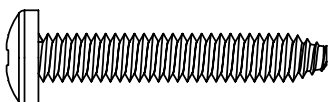
13

(1)

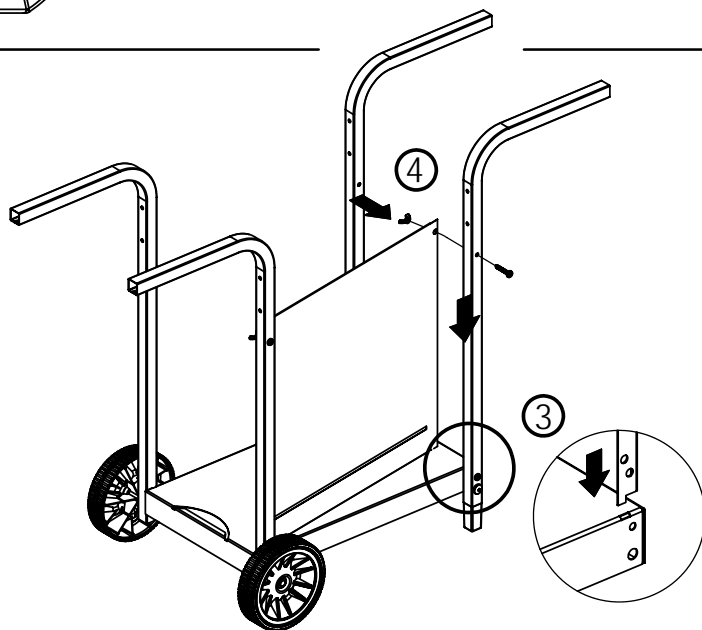
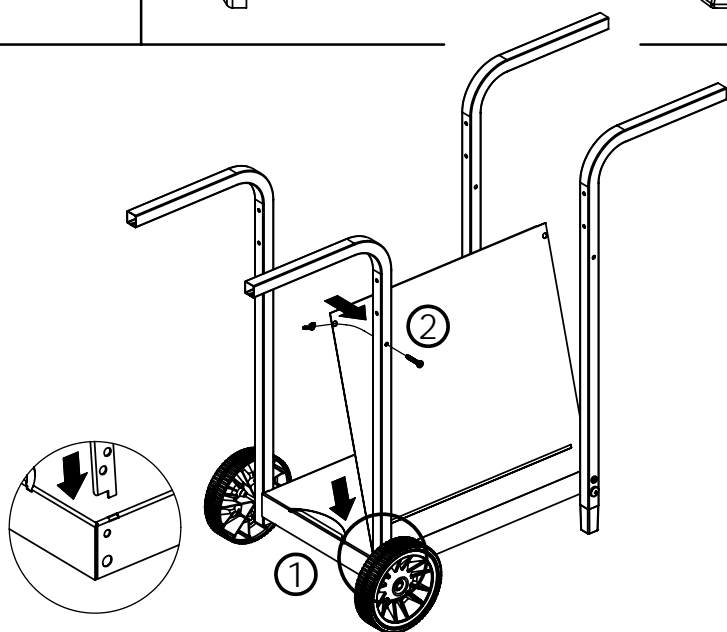
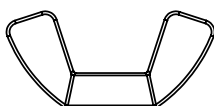


14

(2)



(2)



75	30230228	LID HANDLE	POIGNEE	1	1	1	1	1	1	1	1	1
77	S15111	GREASE CUP HOLDER	PORTE CONTENANT A GRAISSE	1	1	1	1	1	1	1	1	1
78	S21350	LEG PLUG - EXTENSION	EMBOU DE JAMBE	2	2	2	2	2	2	2	2	2
81	Y-11560	BOLT 1/4 : 20 x 1 1/2	BOULON 1/4 : 20 x 1 1/2	12	12	18	12	12	18	14	18	14
82	Y-29300	BOLT 10 -24 x 1 1/4	BOULON 10 -24 x 1 1/4	4	4	4	4	4	4	4	4	4
83	S21141	CARRIAGE BOLT - 1/4:20 X 5/8	BOULON - 1/4:20 X 5/8	1	1	1	1	1	1	1	1	1
84	Y-29307	NUT 10 -24	ECROU 10 -24	4	4	4	4	4	4	4	4	4
85	S21255	WASHER	RONDELLE	1	1	1	1	1	1	1	1	1
87	Y-11793	NUT - 1/4	ECROU - 1/4	12	12	16	12	12	16	12	16	12
88	Y-11598	NUT WING - 1/4	ECROU PAPILLON - 1/4	1	1	3	1	1	3	3	3	3
91	Y-11968	HEX HEAD BOLT 3/8 : 16 x 1 3/4	BOULON	2	2	2	2	2	2	2	2	2
94	Y-12285	NUT - 3/8	ECROU - 3/8	2	2	2	2	2	2	2	2	2
96	Y-29304	BOLT - 10:24 X 3/8	BOULON - 10:24 X 3/8	2	2	4	2	2	4	2	4	2
97	10240-13	WHEEL BOLT	ROUE BOULON	2	2	2	2	2	2	2	2	2
98	S21124	SCREW - 8 X 1/2	VIS - 8 X 1/2	8	8	8	8	8	8	8	8	8
106	Y-12835	SCREW 6:32 X 1/4	VIS 6:32 X 1/4	•	•	2	•	•	2	•	2	•
109	S21136	SCREW - 8-32 x 3/8	VIS - 8-32 x 3/8	1	1	1	1	1	1	1	1	1
110	33110154	TRIVET	GRIL POUR BRULEUR LATERALE	•	•	1	•	•	1	•	1	•
111	10390-E10	SIDE BURNER	BRULEUR DE COTE	•	•	1	•	•	1	•	1	•
113	10342-T12	ELECTRODE - SIDE BURNER	ELECTRODE - BRULEUR DE COTE	•	•	1	•	•	1	•	1	•
117	33110159	SHELF - SIDE BURNER	SUPPORT DE BRULEUR DE COTE	•	•	1	•	•	1	•	1	•

