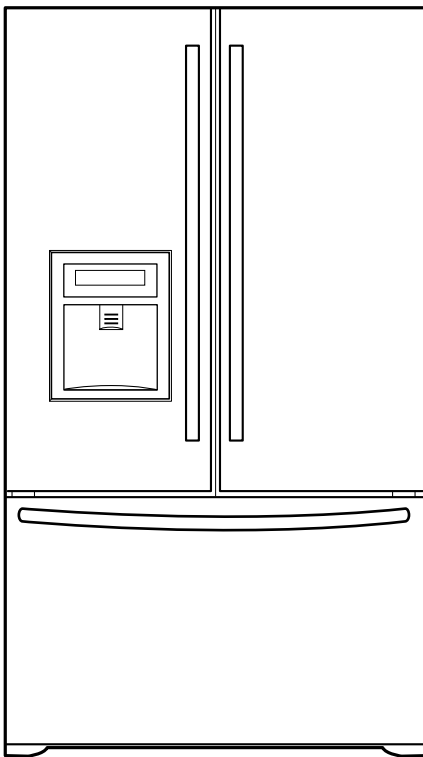




REFRIGERATOR SERVICE MANUAL

CAUTION
BEFORE SERVICING THE UNIT,
READ THE SAFETY PRECAUTIONS IN THIS MANUAL.



Model #s:

795.77192600
795.77199600
795.77194600
795.77193600
795.77196600
795.77542600
795.77549600
795.77544600
795.77543600
795.77546600
795.77552600
795.77559600
795.77554600
795.77553600
795.77556600
795.77712700
795.77713700
795.77719700
795.77729700

CONTENTS

SAFETY PRECAUTIONS	2
1. SPECIFICATIONS	3
2. PARTS IDENTIFICATION	4
3. DISASSEMBLY	5-12
DOOR	5-7
TO REMOVE THE DISPENSER	7
FAN AND FAN MOTOR	8
DEFROST CONTROL ASSEMBLY	8
LAMP	8
CONTROL BOX-REFRIGERATOR	8
MULTI DUCT	8
HOW TO REMOVE AND REINSTALL THE PULLOUT DRAWER.....	9-12
TRIM KIT ASSEMBLY AND AISASSEMBLY METHOD(795.77719, 77729 models only).....	13-15
4. ADJUSTMENT	16-17
COMPRESSOR	16
PTC-STARTER	16
OLP (OVERLOAD PROTECTOR).....	17
TO REMOVE THE COVER PTC	17
5. CIRCUIT DIAGRAM	18
6. TROUBLESHOOTING	19-24
COMPRESSOR AND ELECTRIC COMPONENTS	19
PTC AND OLP	20
OTHER ELECTRICAL COMPONENTS	21
SERVICE DIAGNOSIS CHART	22
REFRIGERATION CYCLE	23-24
7. OPERATION PRINCIPLE & REPAIR METHOD OF ICEMAKER	25-28
8. DESCRIPTION OF FUNCTION & CIRCUIT OF MICOM	29-40

SAFETY PRECAUTIONS

Please read the following instructions before servicing your refrigerator.

1. Unplug the power before handling any electrical components.
2. Check the rated current, voltage, and capacity.
3. Take caution not to get water near any electrical components.
4. Use exact replacement parts.
5. Remove any objects from the top prior to tilting the product.

1. SPECIFICATIONS

1-1 DISCONNECT POWER CORD BEFORE SERVICING IMPORTANT – RECONNECT ALL GROUNDING DEVICES

All parts of this appliance capable of conducting electrical current are grounded. If grounding wires, screws, straps, clips, nuts or washers used to complete a path to ground are removed for service, they must be returned to their original position and properly fastened.

1-2 IMPORTANT NOTICE

This information is intended for use by individuals possessing adequate backgrounds of electrical, electronic and mechanical experience. Any attempt to repair a major appliance may result in personal injury and property damage. The manufacturer or seller cannot be responsible for the interpretation of this information, nor can it assume any liability in connection with its use.

1-3 ELECTRICAL SPECIFICATIONS

Temperature Control (Freezer Compartment)....-6°F to +8°F
 Defrost Control.....Total Comp Running Time : 7 hrs
 Defrost Thermostat.....46°F
 Electrical Rating : 115VAC, 60Hz.....1-5 A
 Maximum Current Leakage.....0.5 mA
 Maximum Ground Path Resistance.....0.14 Ohms
 Energy Consumption21 cu.ft. 484 kWh/yr (Energy Star)
25 cu.ft. 499 kWh/yr (Energy Star)

1-4 NO LOAD PERFORMANCE CONTROL POSITION: MID/MID

And Ambient of:70°F90°F
 Fresh Food, °F.....33°F to 41°F.....33°F to 41°F
 Frozen Food, °F.....-4°F to +4°F.....-4°F to +4°F
 Percent Running Time35%-45%50°F-70°F

1-5 REFRIGERATION SYSTEM

Minimum Compressor Capacity Vacuum 20 MIN.
 Minimum Equalized Pressure
 @ 70°F 49 PSIG
 @ 90°F 56 PSIG
 Refrigerant R134a 4.06 oz.
 Compressor 830 BTU/hr

1-6 INSTALLATION

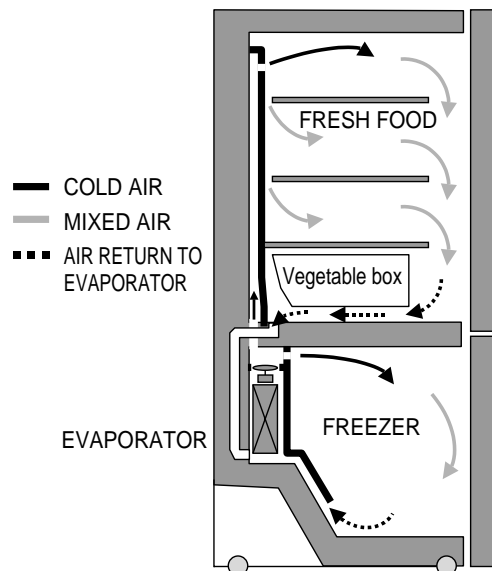
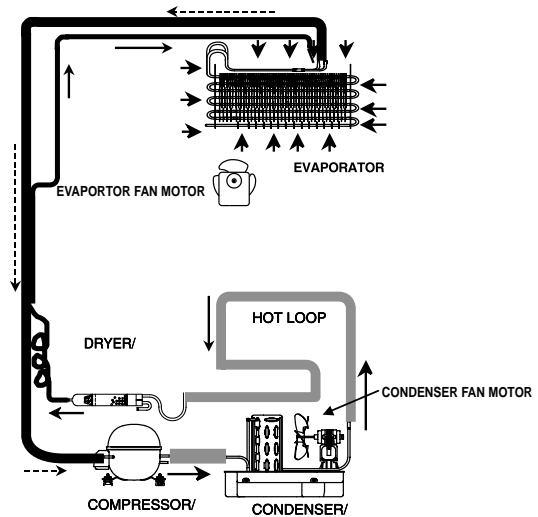
Clearance must be provided at top, sides and rear of the refrigerator for air circulation.

AT TOP 1 in
 AT SIDES 1 in
 AT REAR 2 in

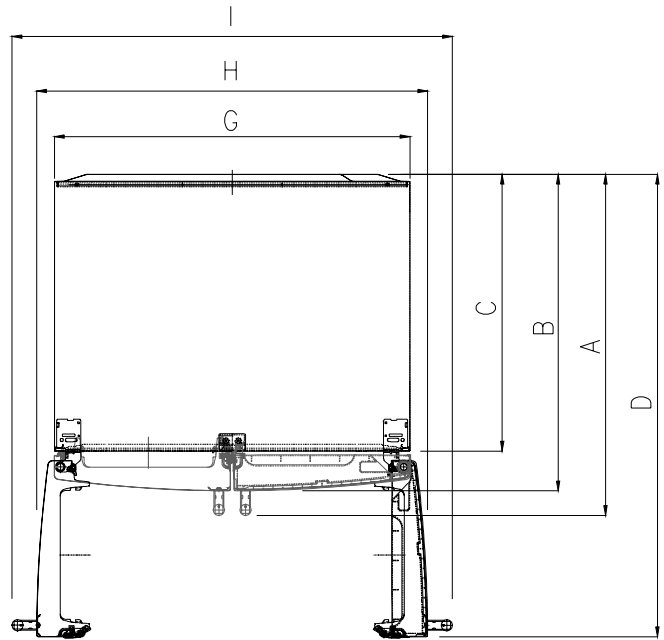
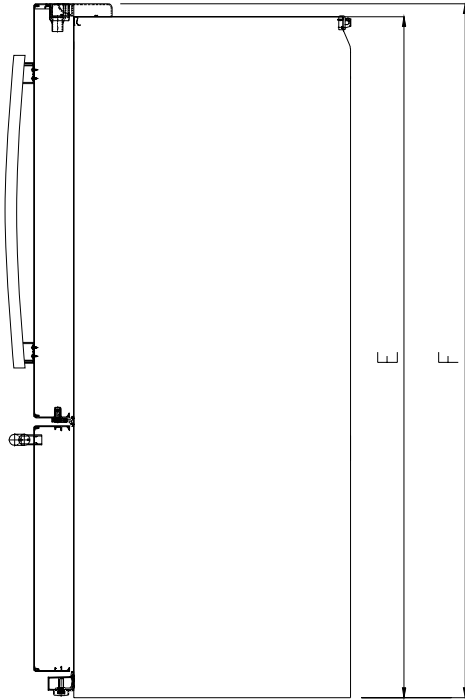
1-7 REPLACEMENT PARTS

Relay.....	6748C-0004D
Overload.....	6750C-0005P
Defrost Thermostat.....	6615JB2005H
Defrost Heater.....	5300JK1005D
Evaporator Fan Motor.....	4681JK1004A
Capacitor.....	0CZZJB2012G
Compressor (Hi-Side).....	2521C-A5719
Evaporator (Lo-Side).....	5421JJ0006A
	*5421JJ0007A
Condenser.....	5403JJ1004B
Dryer.....	5851JA2008A
Condenser Fan Motor.....	4681JB1029D
Temperature Control.....	6871JB1439A
Main Control.....	6871JB1423B

1-8 AIR FLOW / CIRCULATION D'AIR

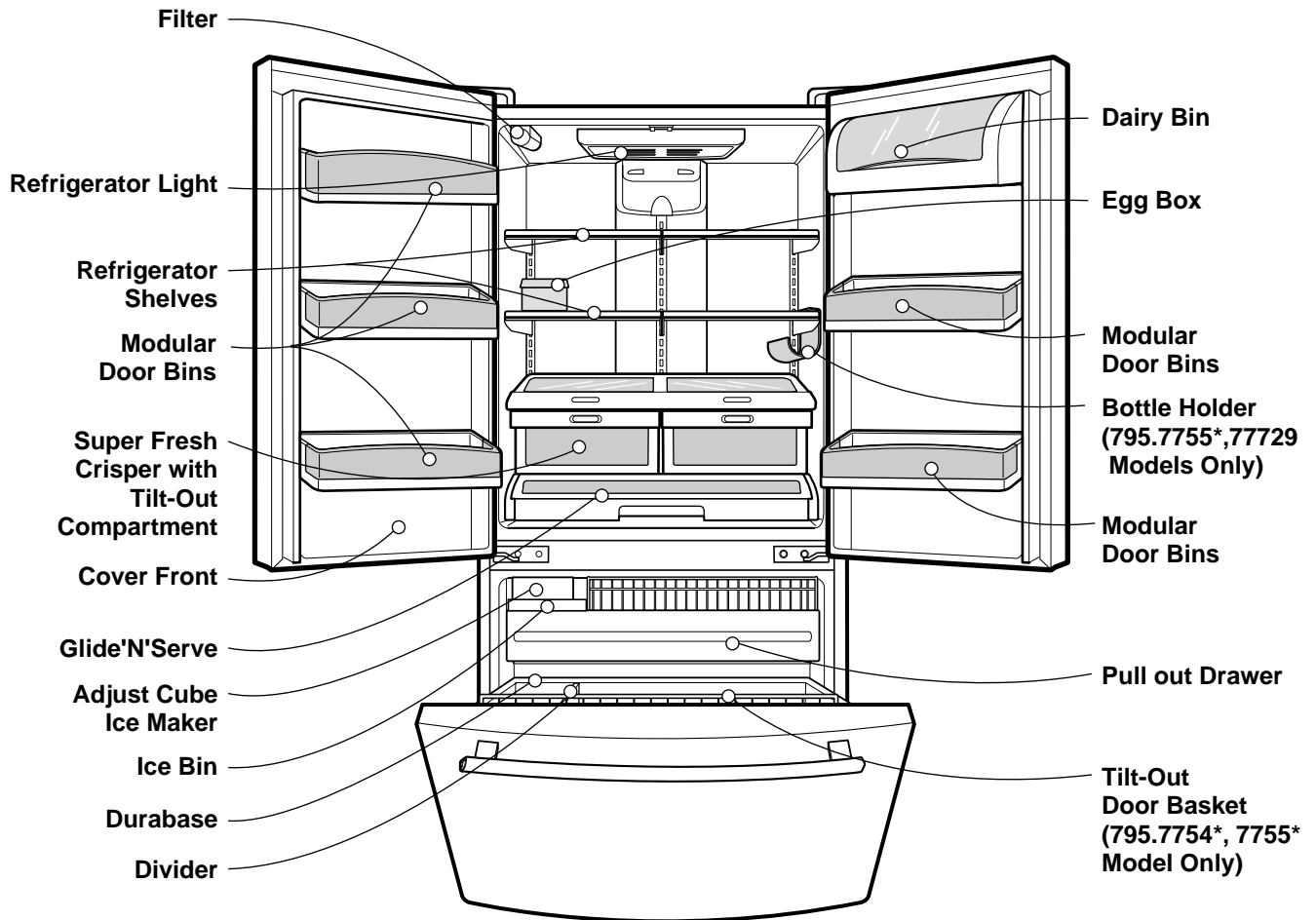


1-9 DIMENSIONS



Description		795.777**	795.775**
Depth w/ Handles	A	30 in.	34 1/4 in.
Depth w/o Handles	B	27 1/2 in.	31 3/4 in.
Depth w/o Door	C	23 5/8 in.	27 7/8 in.
Depth (Total with Door Open)	D	42 1/4 in.	46 1/2 in.
Height to Top of Case	E	68 3/8 in.	68 3/8 in.
Height to Top of Door Hinge	F	69 3/4 in.	69 3/4 in.
Width	G	35 3/4 in.	35 3/4 in.
Width (door open 90 deg. w/o handle)	H	39 1/4 in.	39 1/4 in.
Width (door open 90 deg. w/ handle)	I	44 1/4 in.	44 1/4 in.

2. PARTS IDENTIFICATION



3. DISASSEMBLY

3-1 REMOVING AND REPLACING REFRIGERATOR DOORS

● Removing Refrigerator Door

▲ CAUTION: Before you begin, unplug the refrigerator. Remove food and bins from doors.

▶ Left Door

1. Disconnect water supply tube by pushing back on the disconnect ring (4).
2. Open door. Loosen top hinge cover screw (1).
Use flat tip screwdriver to pry back hooks on front underside of cover (3). Lift up cover.
3. Disconnect door switch wire harness (2). Remove cover.
4. Attach the tube on the door with door.
5. Pull out the tube.
6. Disconnect the three wire harnesses (5). Remove the grounding screw (6).
7. Rotate hinge lever (7) counterclockwise and remove. Lift top hinge (8) free of hinge lever latch (9).

▲ CAUTION: When lifting hinge free of latch, be careful that door does not fall forward.

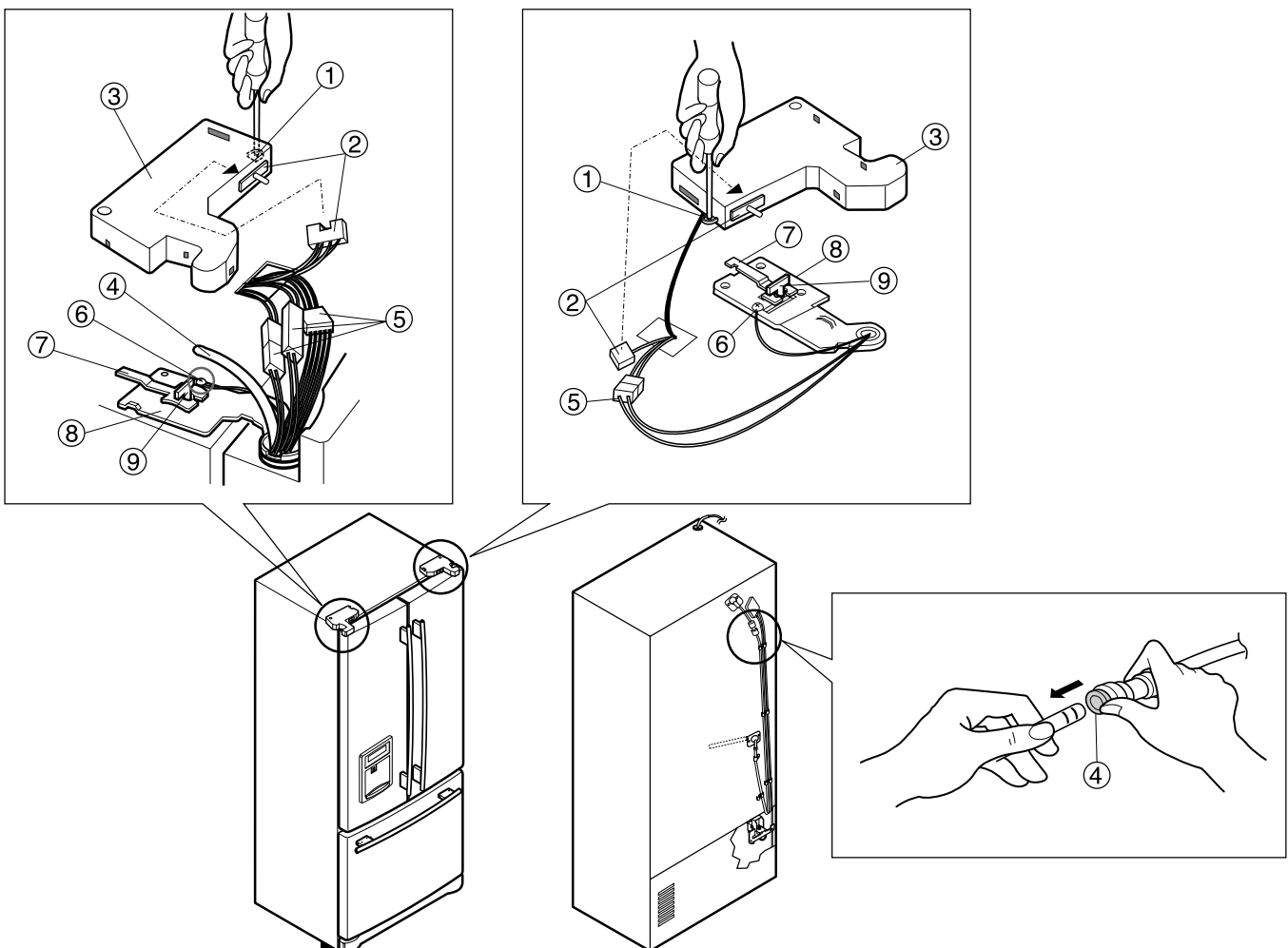
8. Lift door up from middle hinge pin (10) and remove door.
9. Place door, inside facing up, down onto a non-scratching surface.

▶ Right Door

1. Open door. Loosen top hinge cover screw (1). Lift up cover (3).
2. Disconnect door switch wire harness (2). Remove cover.
3. Disconnect wire harness (5). Remove the grounding screw (6).
4. Rotate hinge lever (7) clockwise and remove. Lift top hinge (8) free of hinge lever latch (9).

▲ CAUTION: When lifting hinge free of latch, be careful that door does not fall forward.

5. Lift door up from middle hinge pin (10) and remove door.
6. Place door, inside facing up, down onto a non-scratching surface.

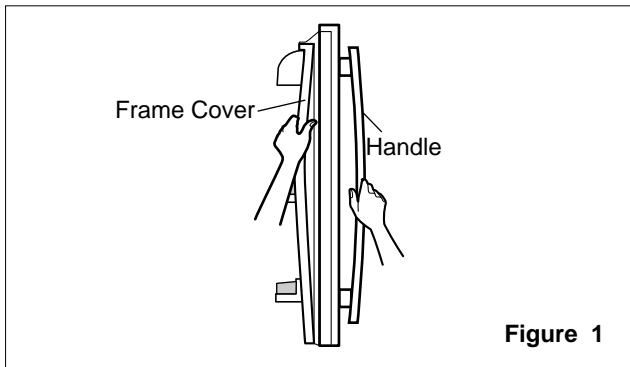


3-2 DOOR

● Door Gasket Removal

1. Remove door frame cover

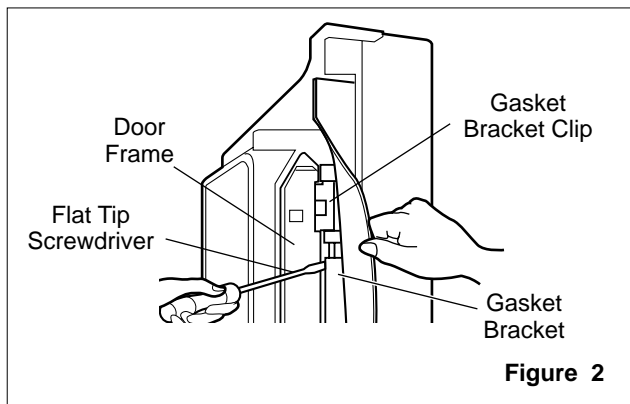
Starting at top of cover and working down, snap cover out and away from door.



2. Remove gasket bracket clips

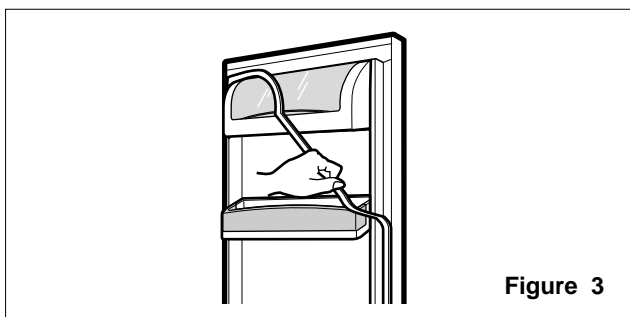
There are two clips on each door. Start bracket removal near one of the middle clips.

- 1) Pull gasket back to expose gasket bracket clip and door frame.
- 2) Insert a flat tip screwdriver into seam between gasket bracket and door frame and pry back until clips snaps out.
- 3) Continue prying back along seam until all clips snap out.



3. Remove gasket

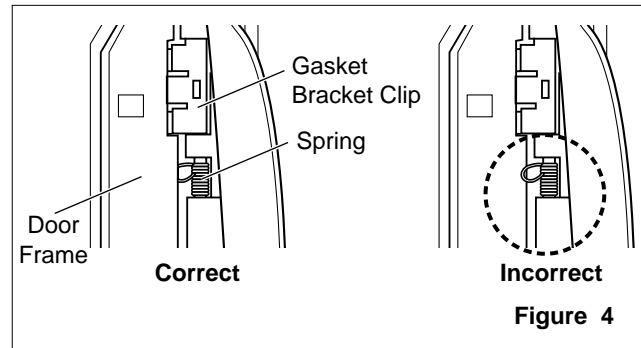
Pull gasket free from gasket channel on the three remaining sides of door.



● Door Gasket Replacement

1. Insert gasket bracket clips

- 1) Insert gasket bracket edge beneath door frame edge.
- 2) Turn upper gasket bracket spring so that the spring ends are in the door channel.
- 3) Push in clip until you hear it snap securely into place.



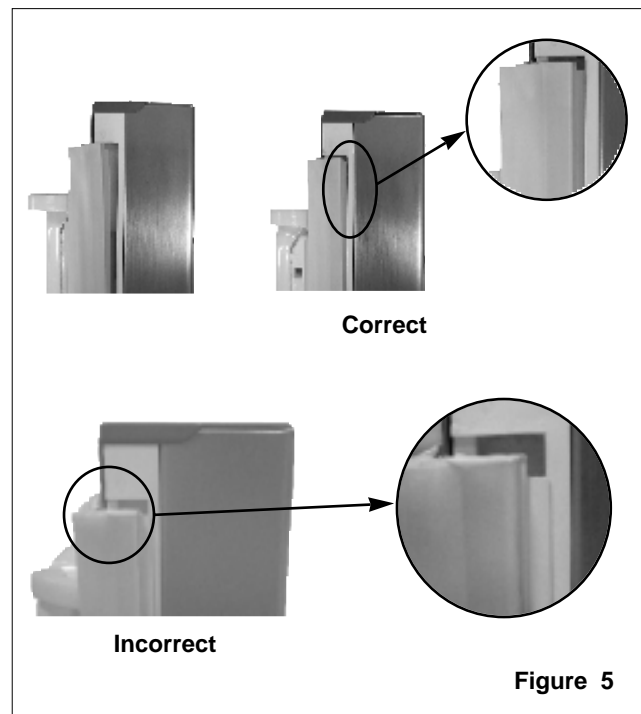
- 4) Push in remaining two clips until you hear each snap securely into place.

Note: Make sure that no part of gasket bracket edge protrudes from beneath door frame edge.

2. Insert gasket into channel

- 1) Snap gasket assembly into the door bracket.

<Inserting the Gasket Assembly into the Bracket Door>



- 2) Press gasket into channels on the three remaining sides of door.

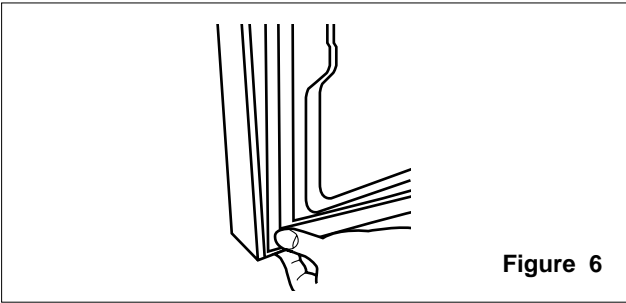


Figure 6

3. Replace door frame cover

Starting at top of cover and working down, snap cover back into door.

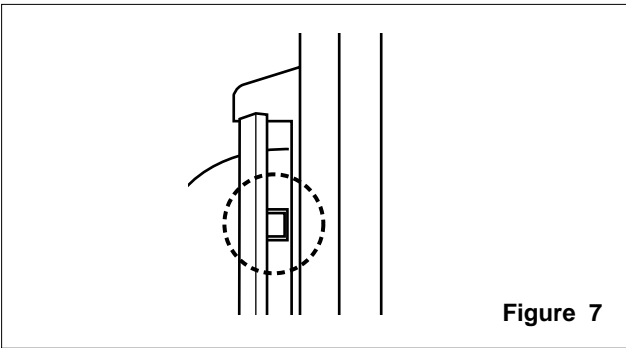


Figure 7

3-3 TO REMOVE THE DISPENSER

1. Use flat tip screwdriver to pry back hooks on bottom underside of cover dispenser.

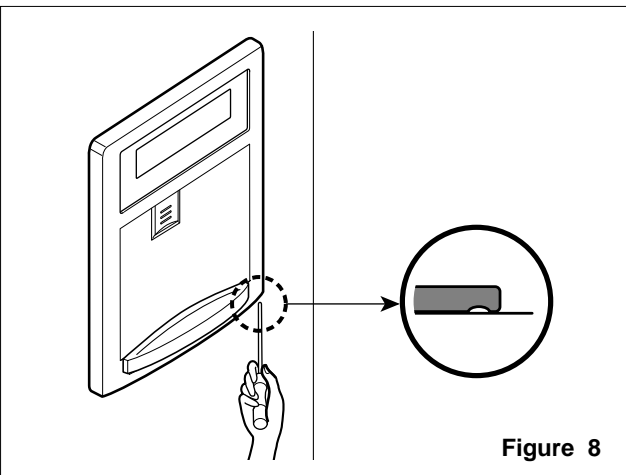


Figure 8

2. Pry off cover dispenser.

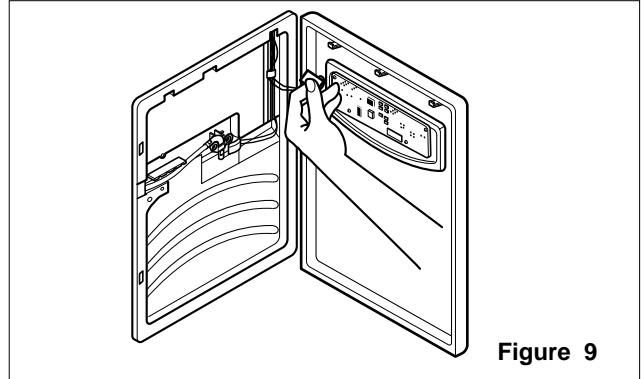


Figure 9

Disconnect wire harness.

3. Replace cover dispenser in opposite manner and order of removal.

3-4 DOOR ALIGNMENT

If the space between your doors is uneven, follow the instructions below to align the doors:

1. With one hand, lift up the door you want to raise at middle hinge.
2. With other hand, use pliers to insert snap ring as shown.
3. Insert additional snap rings until the doors are aligned. (Three snap rings are provided with unit.)

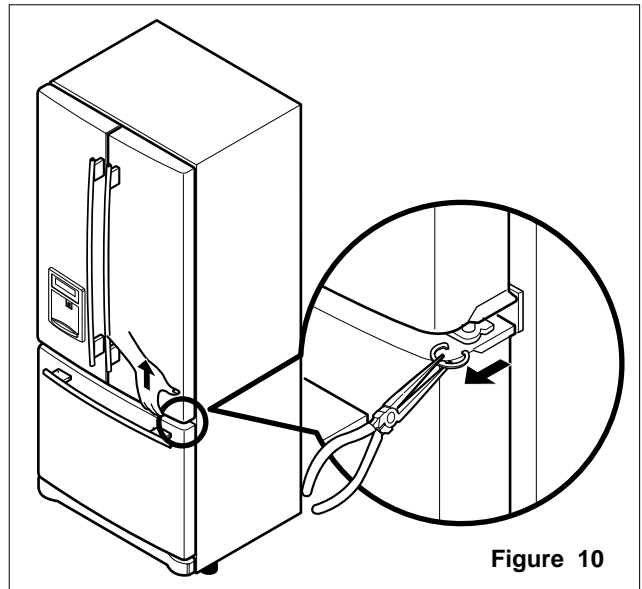


Figure 10

3-5 FAN AND FAN MOTOR

1. Remove the freezer shelf. (If your refrigerator has an icemaker, remove the icemaker first)
2. Remove the plastic guide for slides on left side by unscrewing phillips head screws.
3. Remove the grille by pulling it out and by loosening a screw.
4. Remove the Fan Motor assembly by loosening 2 screws and disassemble the shroud.
5. Pull out the fan and separate the Fan Motor and Bracket.

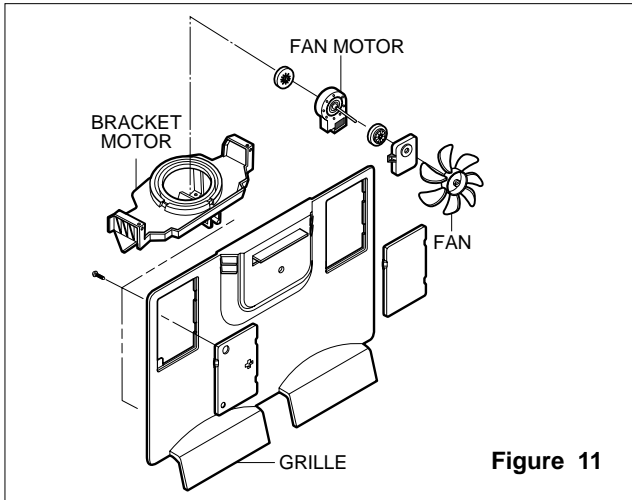


Figure 11

3-6 DEFROST CONTROL ASSEMBLY

Defrost Control assembly consists of Defrost Sensor and FUSE-M.

The Defrost Sensor works to defrost automatically. It is attached to the metal side of the Evaporator and senses its temperature. At 161.6°F(72°C), it turns the Defrost Heater off. Fuse-M is a safety device for preventing over-heating of the Heater when defrosting.

1. Pull out the grille assembly. (Figure 12)
2. Separate the connector with the Defrost Control assembly and replace the Defrost Control assembly after cutting the Tie Wrap. (Figure 13)

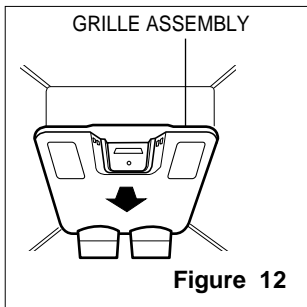


Figure 12

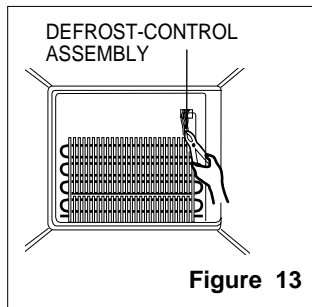


Figure 13

3-7 LAMP

3-7-1 Refrigerator Compartment Lamp

1. Unplug Refrigerator, or disconnect power at the circuit breaker.
2. If necessary, remove top shelf or shelves.
3. Using a flat instrument, gently pry the cover loose in the front as shown. Rotate downward to remove rear tabs.

4. Make sure the bulbs are cool to the touch. Turn bulbs counterclockwise to remove.
5. Assemble in reverse order by snapping the Lamp Cover in, engaging the rear tabs followed by the front tabs. (Max. 60 W-2EA)

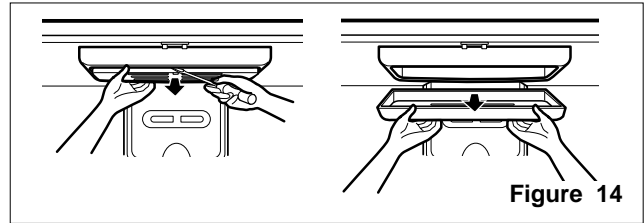


Figure 14

3-7-2 Freezer Compartment Lamp

1. Unplug refrigerator power cord from outlet.
2. Using a flat instrument, gently pry the lamp cover loose in the front as shown. Rotate downward to remove the rear tabs.
3. Make sure the bulb is cool to the touch. Turn the bulb counterclockwise to remove.
4. Replace with a new 60-watt appliance bulb.
5. Insert tabs on back of cover into slots in freezer ceiling. Push cover up to snap front into place.

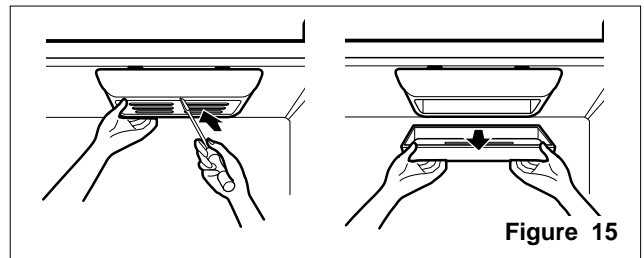


Figure 15

3-8 CONTROL BOX-REFRIGERATOR

1. First, remove all shelves in the refrigerator, then remove the Refrigerator control Box by loosening 2 screws.

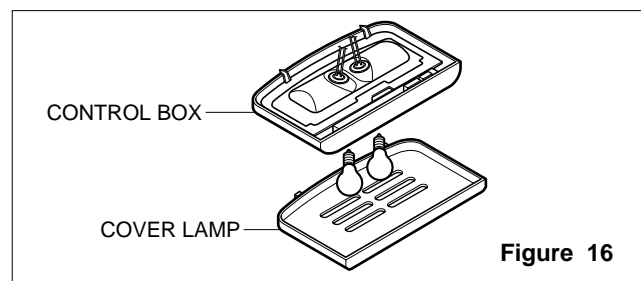


Figure 16

2. Remove the Refrigerator Control Box by pulling it downward.
3. Disconnect the lead wire on the right position and separate the lamp sockets.

3-9 MULTI DUCT

1. Remove an upper and lower Cap by using a flat screwdriver, and loosen 2 screws. (Figure 17)
2. Disconnect the lead wire on the bottom position.

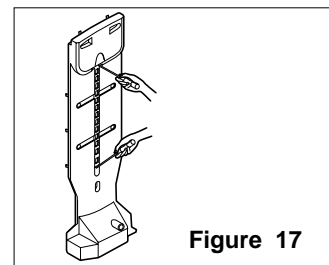


Figure 17

3-10 HOW TO REMOVE AND REINSTALL THE PULLOUT DRAWER

3-10-1 FOLLOW STEPS TO REMOVE

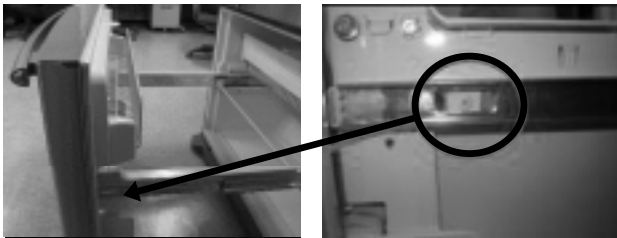
Step 1) Open the freezer door.



Step 2) Remove the lower basket.



Step 3) Remove the two screws from the guide rails (one from each side).



Step 4) Lift the freezer door up to unhook it from the rail support and remove. Pull both rails to full extension.

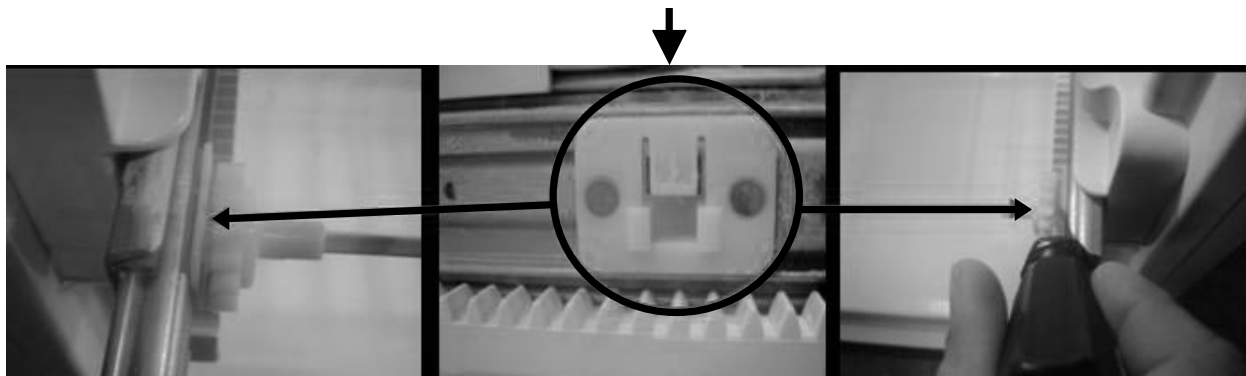


Step 5) First: Remove the gear from the left side first by releasing the tab behind the gear, place a screwdriver between the gear and the tab and pull up on the gear.

Second: Remove the center rail.

Third: Remove the gear from the right side by following the same steps for the left side.

NOTE: THIS TAB MUST BE PUSHED IN TO RELEASE THE GEAR.



3-10-2 FOLLOW STEPS TO REINSTALL

Step 1) Reinstall the right side gear into the clip.



Step 2) Insert the rail into the right side gear. Gears do **not** need to be perpendicular to each other.



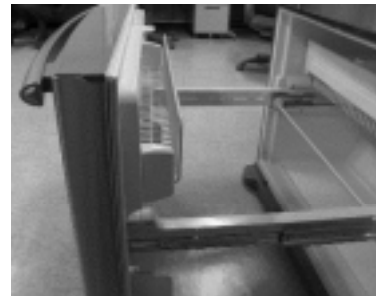
Step 3) Insert the rail into the left side gear, and insert the gear into the clip.



Step 4) The rail system will align itself by pushing the rails all the way into the freezer section. Pull the rails back out to full extension.



Step 5) Reinstall the freezer door by inserting the rail tabs into the guide rail.



Step 6) Reinstall the two screws into the guide rails (one from each side).

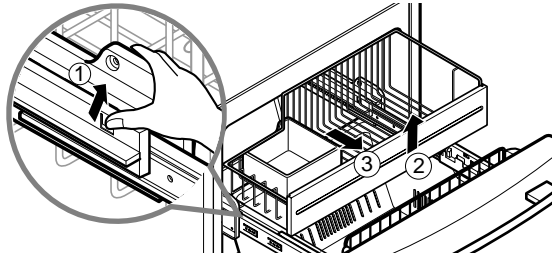


Step 7) Reinstall the lower basket, and close the freezer door.

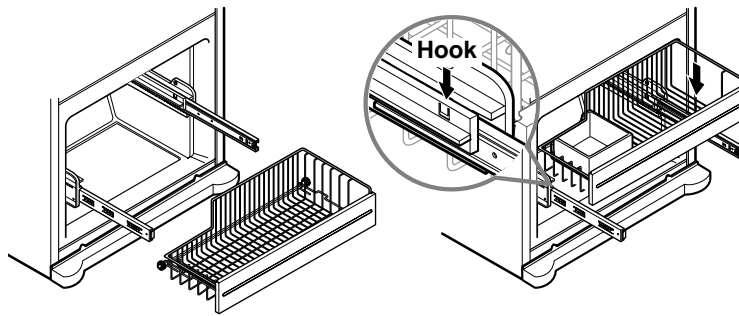


3-10-3 PULL OUT DRAWER

To separate the drawer, push the front left and right hooks in ① direction to pull up and remove. Then gently lift the gear part of rear left and right side of the drawer and pull it out in ③ direction.



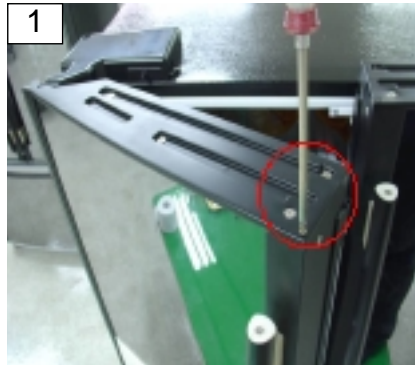
To install, reposition the gear part of rear left and right side of the drawer after pulling out both rails as much as possible, and gently push down both left and right side while checking the hook on the front part.



3-11 TRIM KIT ASSEMBLY AND AISASSEMBLY METHOD (795.77719,77729 MODELS ONLY)

3-11-1 ASSEMBLY AND DISASSEMBLY METHOD OF LEFT DOOR GLASS AND DISPLAY OF THE REFRIGERATOR

1. Remove the 2 screws on the top refrigerator door trim, circled in Photo # 1.



2. Remove the 2 screws on the bottom refrigerator door trim, circled in photo # 2.



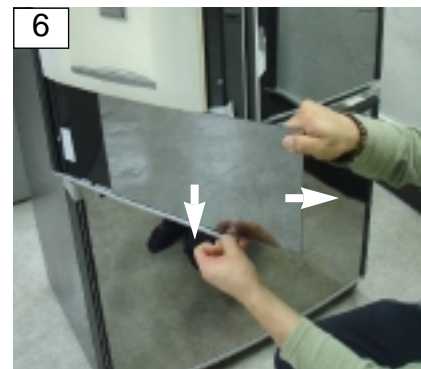
3. While holding the door handle (to prevent it from falling) remove the 3 screws on the side trim that holds the handle on. (see photo # 3)

4. Remove the door handle. (see photo # 4)



5. While lifting up on the top door trim, slide the glass front (above the dispenser) to the right to remove it. (see photo # 5)

6. While pulling down on the bottom door trim, slide the glass front (below the dispenser) to the right to remove it. (see photo # 6)



7. Once the glass is removed, the dispenser cover can be removed by pulling it out by the right side and gently pulling out of the left door trim slot. (see photos 7 & 8)

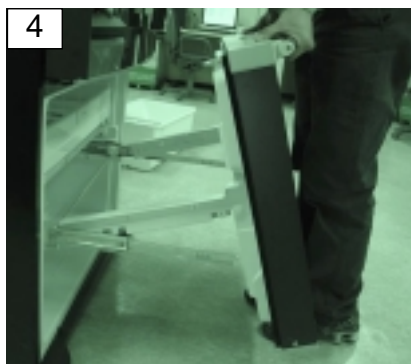
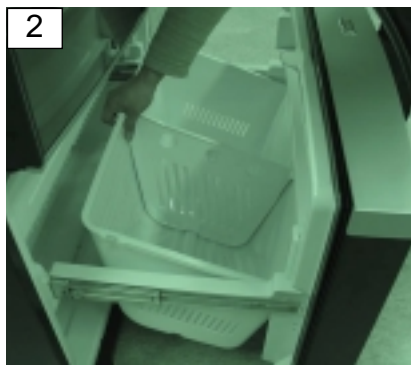
8. The right side door glass is removed in the same manner as the left. However because it will not have the dispenser the glass will be one piece.

9. Reassemble in reverse order.



3-11-2 ASSEMBLY AND DISASSEMBLY METHOD OF FREEZER DOOR AND GLASS

1. Fully open the freezer drawer as shown in photo # 1.
2. Lift out the freezer basket as shown in photo # 2.
3. Remove the 2 screws (one on each side shown in photo # 3).
4. Hold the freezer handle and pull up to remove the door assembly, as shown in photo # 4.
5. Put the freezer door facing down (on a clean soft surface to prevent scratching the top trim) as shown in photo # 5.
6. Remove all the screws hold the bottom door trim in place. (be careful not to remove the 2 screws circled in photo # 6).
7. Remove the screw at the bottom of each side trim shown in photo # 7. (continued on the next page)



3-11-2 ASSEMBLY AND DISASSEMBLY METHOD OF FREEZER DOOR AND GLASS

8. Pull off the bottom cover as shown in photo # 8.



9. Remove one of the side trim pieces by pulling it out slightly the up to remove it from the top door trim. As shown in photo # 9.



10. Carefully pull out the freezer door glass as shown in photo # 10.



11. Reassemble in reverse order.

4. ADJUSTMENT

4-1 COMPRESSOR

4-1-1 Role

The compressor intakes low temperature and low pressure gas from the evaporator of the refrigerator and compresses this gas to high-temperature and high-pressure gas. It then delivers the gas to the condenser.

4-1-2 Composition

The compressor includes overload protection. The PTC starter and OLP (overload protector) are attached to the outside of the compressor. Since the compressor is manufactured to tolerances of 1 micron and is hermetically sealed in a dust and moisture-free environment, use extreme caution when performing repairs.

4-1-3 Note for Usage

- (1) Be careful not to allow over-voltage and over-current.
- (2) If compressor is dropped or handled carelessly, poor operation and noise may result.
- (3) Use proper electric components appropriate to the Particular Compressor in your product.
- (4) Keep Compressor dry.
If the Compressor gets wet (in the rain or a damp environment) and rust forms in the pin of the Hermetic Terminal, poor operation and contact may result.
- (5) When replacing the Compressor, be careful that dust, humidity, and soldering flux don't contaminate the inside of the compressor. Dust, humidity, and solder flux contaminate the cylinder and may cause noise, improper operation or even cause it to lock up.

4-2 PTC-STARTER

4-2-1 Composition of PTC-Starter

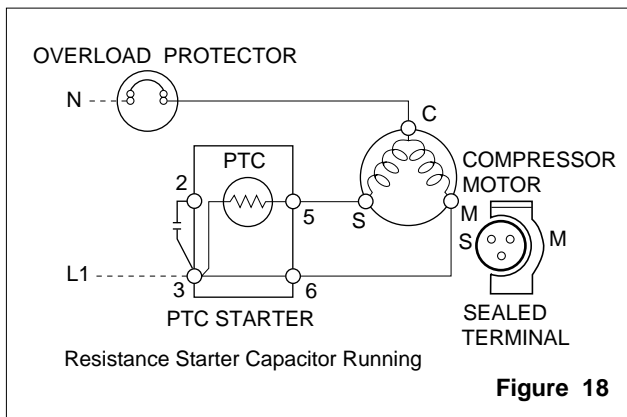
- (1) PTC (Positive Temperature Coefficient) is a no-contact semiconductor starting device which uses ceramic material consisting of BaTiO₃.
- (2) The higher the temperature is, the higher the resistance value. These features are used as a starting device for the Motor.

4-2-2 Role of PTC-Starter

- (1) The PTC is attached to the Sealed Compressor and is used for starting the Compressor Motor.
- (2) The compressor is a single-phase induction motor. The starting operation, the PTC allows current flow to both the start winding and main winding.

4-2-3 PTC-Applied Circuit Diagram

● Starting Method for the Motor



4-2-4 Motor Restarting and PTC Cooling

- (1) It requires approximately 5 minutes for the pressure to equalize before the compressor can restart.
- (2) The PTC device generates heat during operation. Therefore, it must be allowed to cool before the compressor can restart.

4-2-5 Relation of PTC-Starter and OLP

- (1) If the compressor attempts to restart before the PTC device is cooled, the PTC device will allow current to flow only to the main winding.
- (2) The OLP will open because of the over current condition. This same process will continue (3 to 5 times) when the compressor attempts to restart until the PTC device has cooled. The correct OLP must be properly attached to prevent damage to the compressor.

Parts may appear physically identical but could have different electrical ratings. Replace parts by part number and model number. Use only approved substitute parts.

4-2-6 Note for Using the PTC-Starter

- (1) Be careful not to allow over-voltage and over-current.
- (2) Do not drop or handle carelessly.
- (3) Keep away from any liquid.
If liquid such as oil or water enters the PTC, PTC materials may fail due to breakdown of their insulating capabilities.
- (4) If the exterior of the PTC is damaged, the resistance value may be altered. This can cause damage to the compressor and result in a no-start or hard-to-start condition.
- (5) Always use the PTC designed for the compressor and make sure it is properly attached to the compressor. Parts may appear physically identical but could have different electrical ratings. Replace parts by part number and model number. Use only approved substitute parts.

4-3 OLP (OVERLOAD PROTECTOR)

4-3-1 Definition of OLP

- (1) OLP (OVERLOAD PROTECTOR) is attached to the Compressor and protects the Motor by opening the circuit to the Motor if the temperature rises and activating the bimetal spring in the OLP.
- (2) When high current flows to the Compressor motor, the Bimetal works by heating the heater inside the OLP, and the OLP protects the Motor by cutting off the current flowing to the Compressor Motor.

4-3-2 Role of the OLP

- (1) The OLP is attached to the Sealed Compressor used for the Refrigerator. It prevents the Motor Coil from being started in the Compressor.
- (2) For normal operation of the OLP, do not turn the Adjust Screw of the OLP in any way.

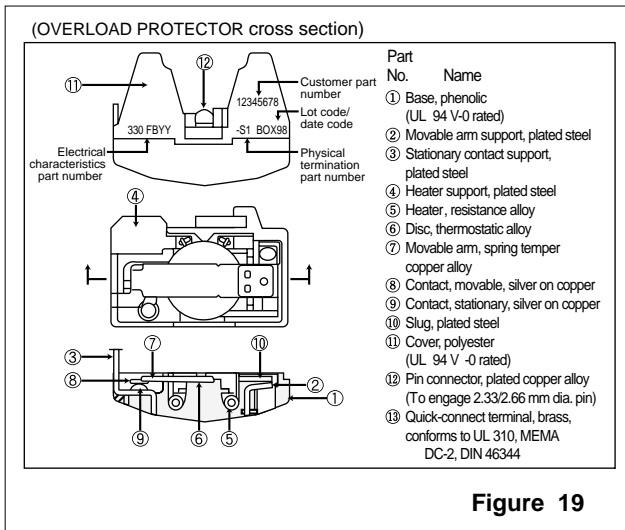
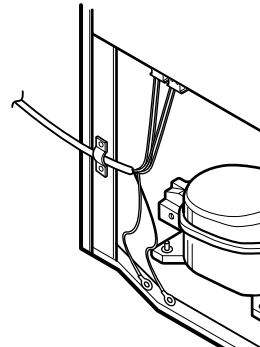
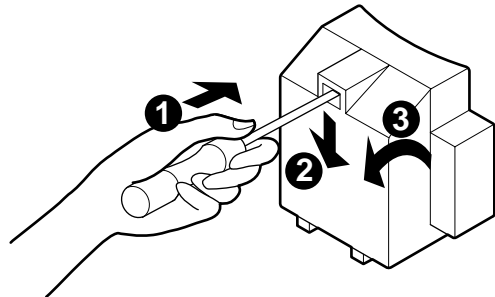


Figure 19

4-4 TO REMOVE THE COVER PTC



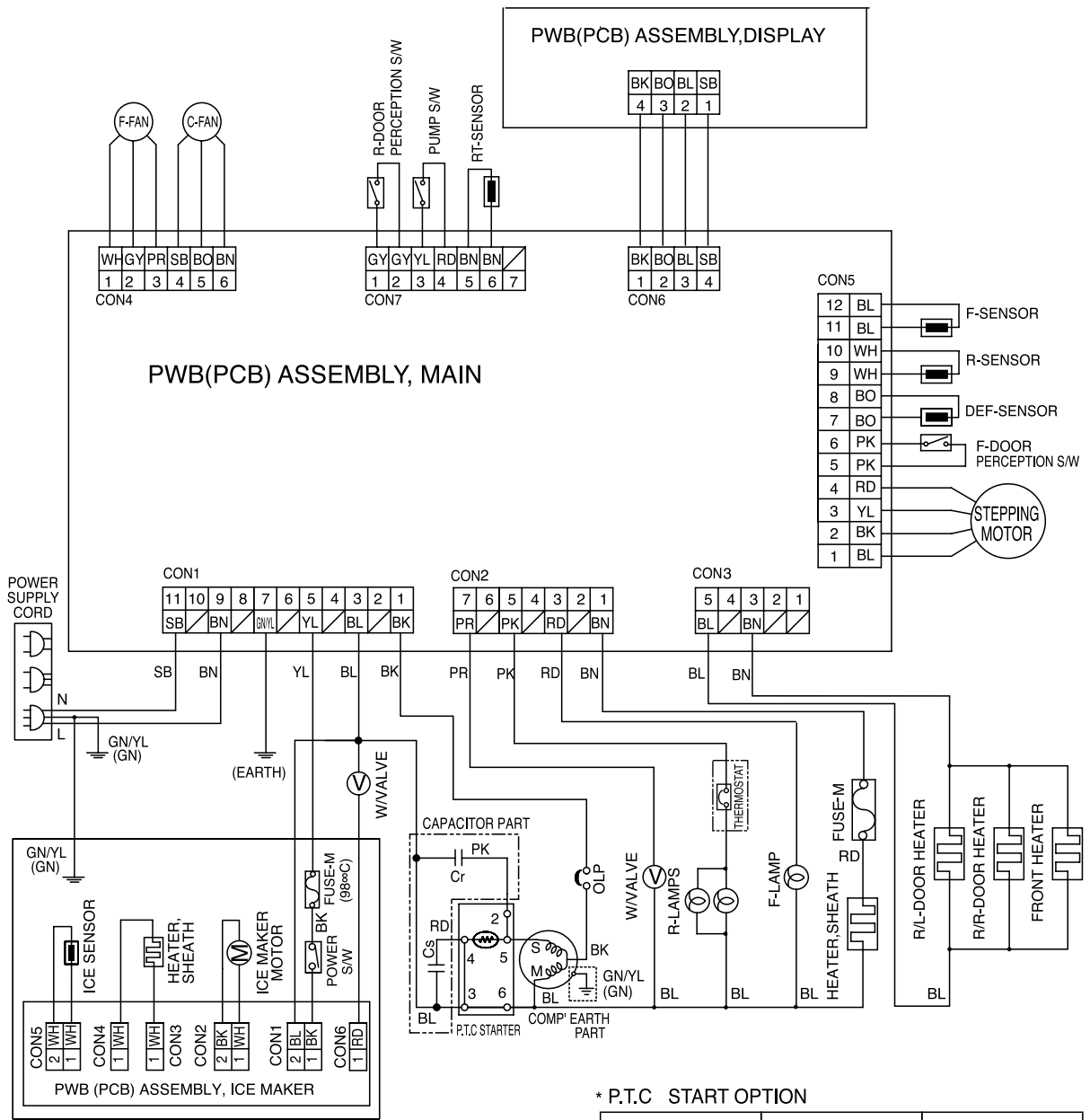
- (1) Remove the Cover Back M/C.
- (2) Disconnect two housing upper side of comp connected in.
- (3) Loosen two screws on comp base.



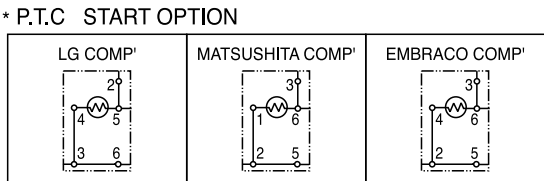
- (4) Use a L-shaped flap tool to pry off the cover.
- (5) Assembly in reverse order of disassembly.

5. CIRCUIT DIAGRAM

CIRCUIT DIAGRAMS

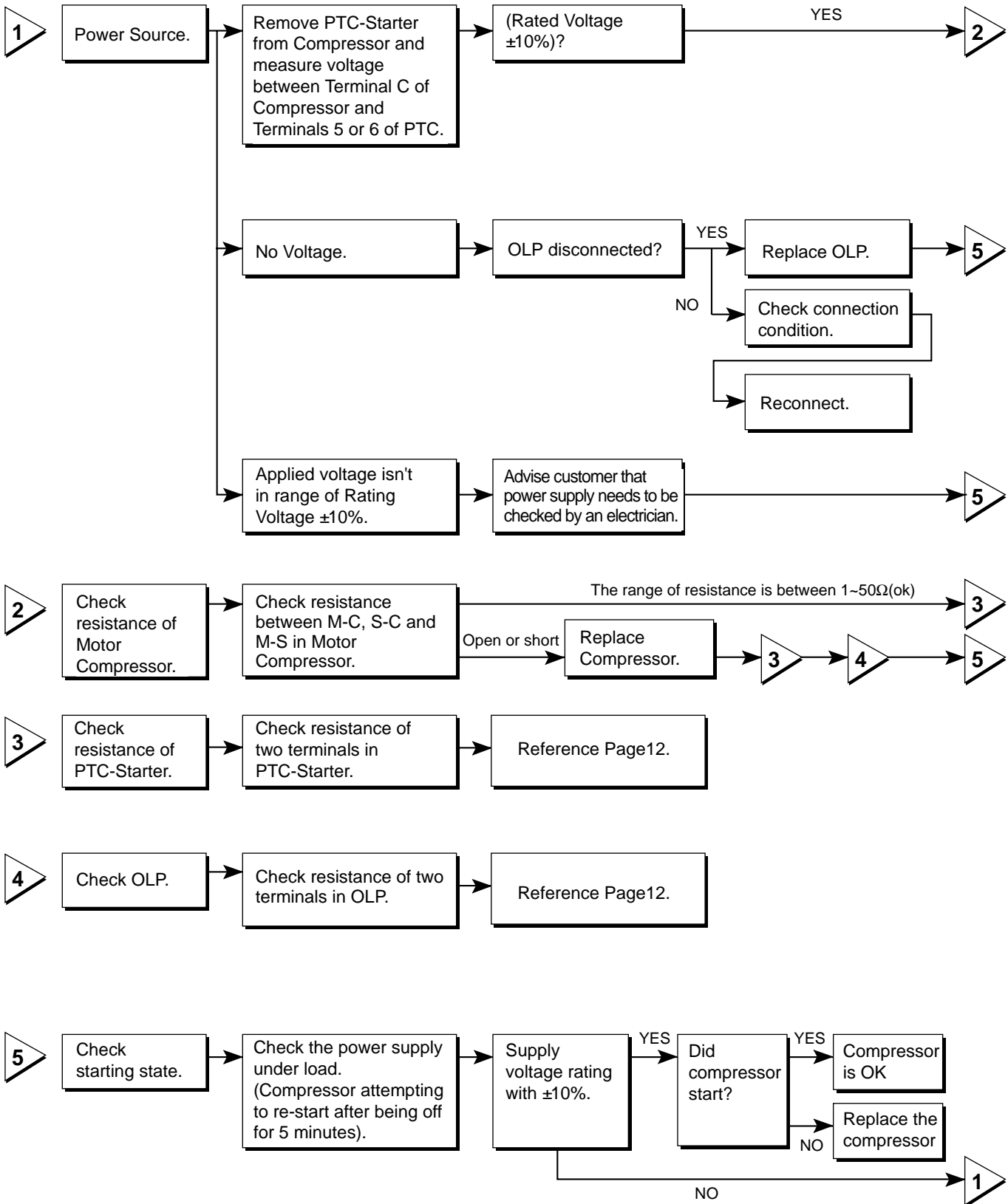


*PLUG TYPE, ICE MAKER PART, CAPACITOR PART, DISPENSER PART, WATER VALVE PART, THERMOSTAT AND COMP' EARTH PART ON CIRCUIT DIAGRAM ARE SUBJECT TO CHANGE IN DIFFERENT LOCALITIES AND MODEL TYPE.



6. TROUBLESHOOTING

6-1 COMPRESSOR AND ELECTRIC COMPONENTS



6-2 PTC AND OLP

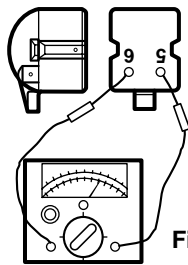
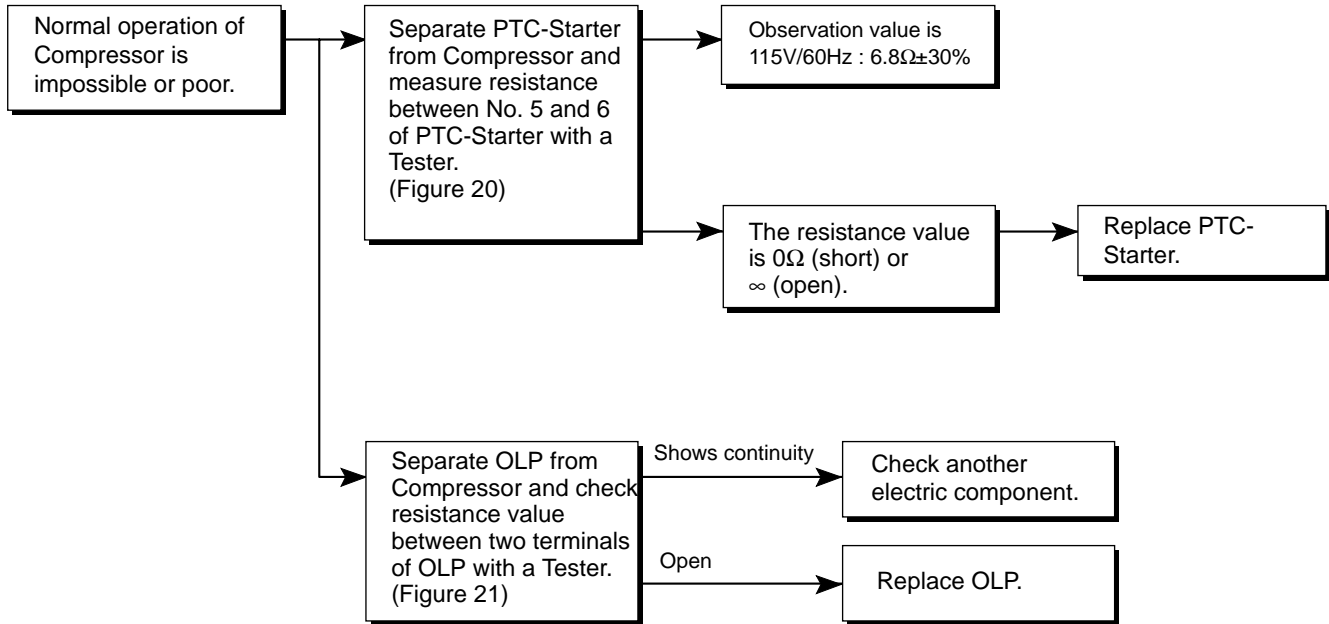


Figure 20

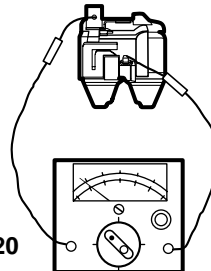
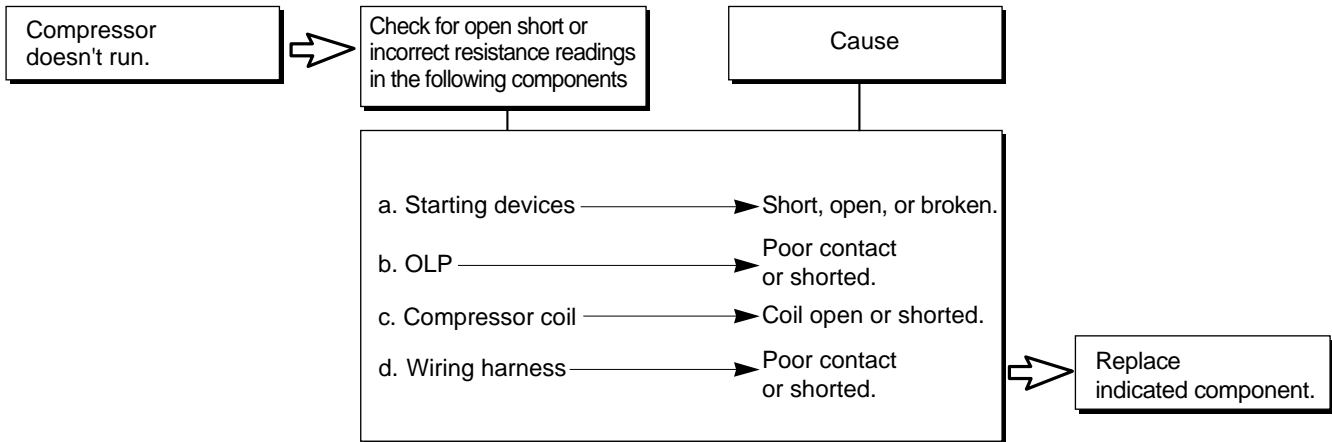


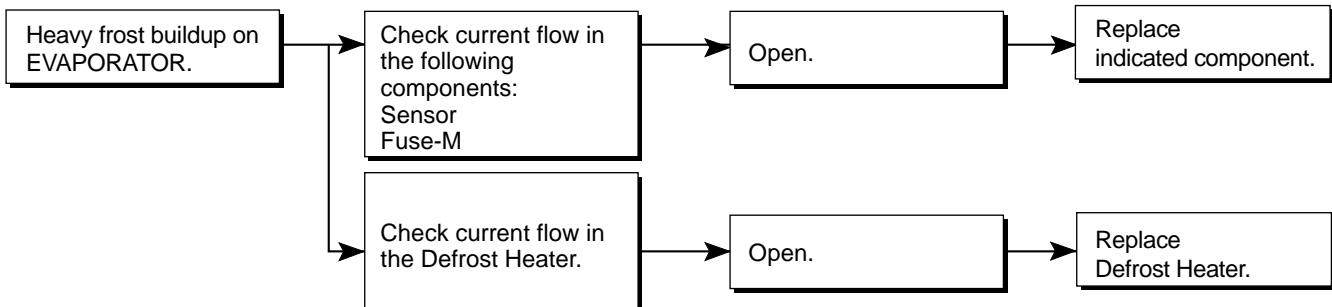
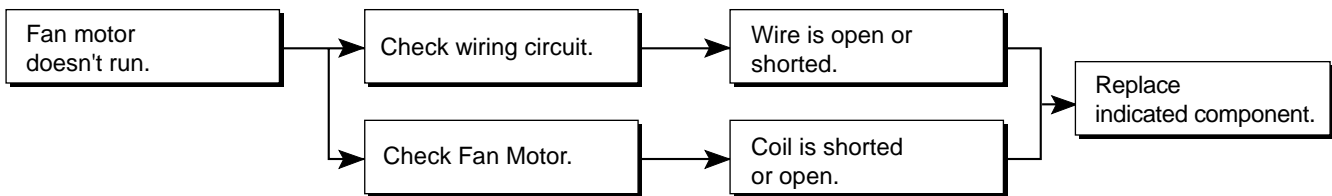
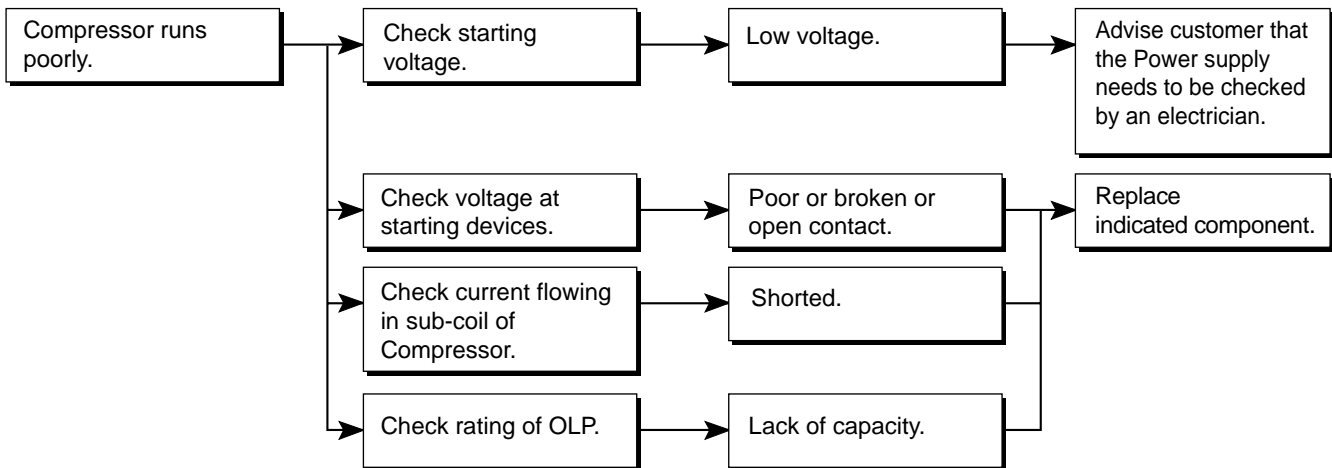
Figure 21

6-3 OTHER ELECTRICAL COMPONENTS

▼ Not cooling at all



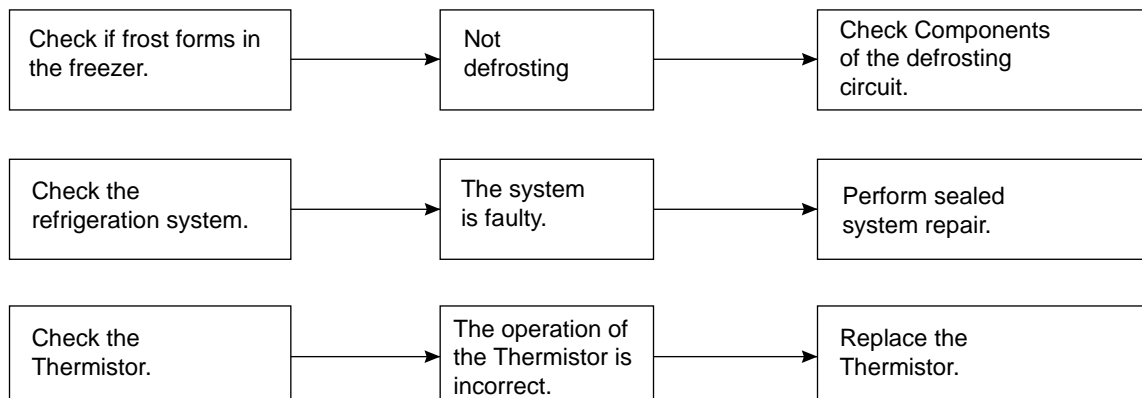
▼ Poor cooling performance



6-4 SERVICE DIAGNOSIS CHART

COMPLAINT	POINTS TO BE CHECKED	REMEDY
No Cooling.	<ul style="list-style-type: none"> • Is the power cord unplugged from the outlet? • Check if the power switch is set to OFF. • Check if the fuse of the power switch is shorted. • Measure the voltage of the power outlet. 	<ul style="list-style-type: none"> • Plug into the outlet. • Set the switch to ON. • Replace the fuse. • If the voltage is low, correct the wiring.
Cools poorly.	<ul style="list-style-type: none"> • Check if the unit is placed too close to the wall. • Check if the unit is placed too close to the stove, gas cooker, or in direct sunlight. • Is the ambient temperature too high or the room door closed? • Check if food put in the refrigerator is hot. • Did you open the door of the unit too often or check if the door is sealed properly? • Check if the Control is set to Warm position. 	<ul style="list-style-type: none"> • Place the unit about 4 inches (10 cm) from the wall. • Place the unit away from these heat sources. • Lower the ambient temperature. • Put in foods after they have cooled down. • Don't open the door too often and close it firmly. • Set the control to Recommended position.
Foods in the Refrigerator are frozen.	<ul style="list-style-type: none"> • Is food placed in the cooling air outlet? • Check if the control is set to colder position. • Is the ambient temperature below 41°F(5°C)? 	<ul style="list-style-type: none"> • Place foods in the high-temperature section. (front part) • Set the control to Recommended position. • Set the control to Warm position.
Condensation or ice forms inside the unit.	<ul style="list-style-type: none"> • Is liquid food sealed? • Check if food put in the refrigerator is hot. • Did you open the door of the unit too often or check if the door is sealed properly? 	<ul style="list-style-type: none"> • Seal liquid foods with wrap. • Put in foods after they have cooled down. • Don't open the door too often and close it firmly.
Condensation forms in the Exterior Case.	<ul style="list-style-type: none"> • Check if the ambient temperature and humidity of the surrounding air are high. • Is there a gap in the door gasket? 	<ul style="list-style-type: none"> • Wipe moisture with a dry cloth. It will disappear in low temperature and humidity. • Fill up the gap.
There is abnormal noise.	<ul style="list-style-type: none"> • Is the unit positioned in a firm and even place? • Are any unnecessary objects placed in the back side of the unit? • Check if the Drip Tray is not firmly fixed. • Check if the cover of the compressor enclosure in the lower front side is taken out. 	<ul style="list-style-type: none"> • Adjust the Leveling Screw, and position the refrigerator in a firm place. • Remove the objects. • Fix the Drip Tray firmly in the original position. • Place the cover in its original position.
Door does not close well.	<ul style="list-style-type: none"> • Check if the door gasket is dirty with an item like juice. • Is the refrigerator level? • Is there too much food in the refrigerator? 	<ul style="list-style-type: none"> • Clean the door gasket. • Position in the firm place and level the Leveling Screw. • Make sure food stored in shelves does not prevent the door from closing.
Ice and foods smell unpleasant.	<ul style="list-style-type: none"> • Check if the inside of the unit is dirty. • Are foods with a strong odor unwrapped? • The unit smells of plastic. 	<ul style="list-style-type: none"> • Clean the inside of the unit. • Wrap foods that have a strong odor. • New products smell of plastic, but this will go away after 1-2 weeks.

● Other possible problems:

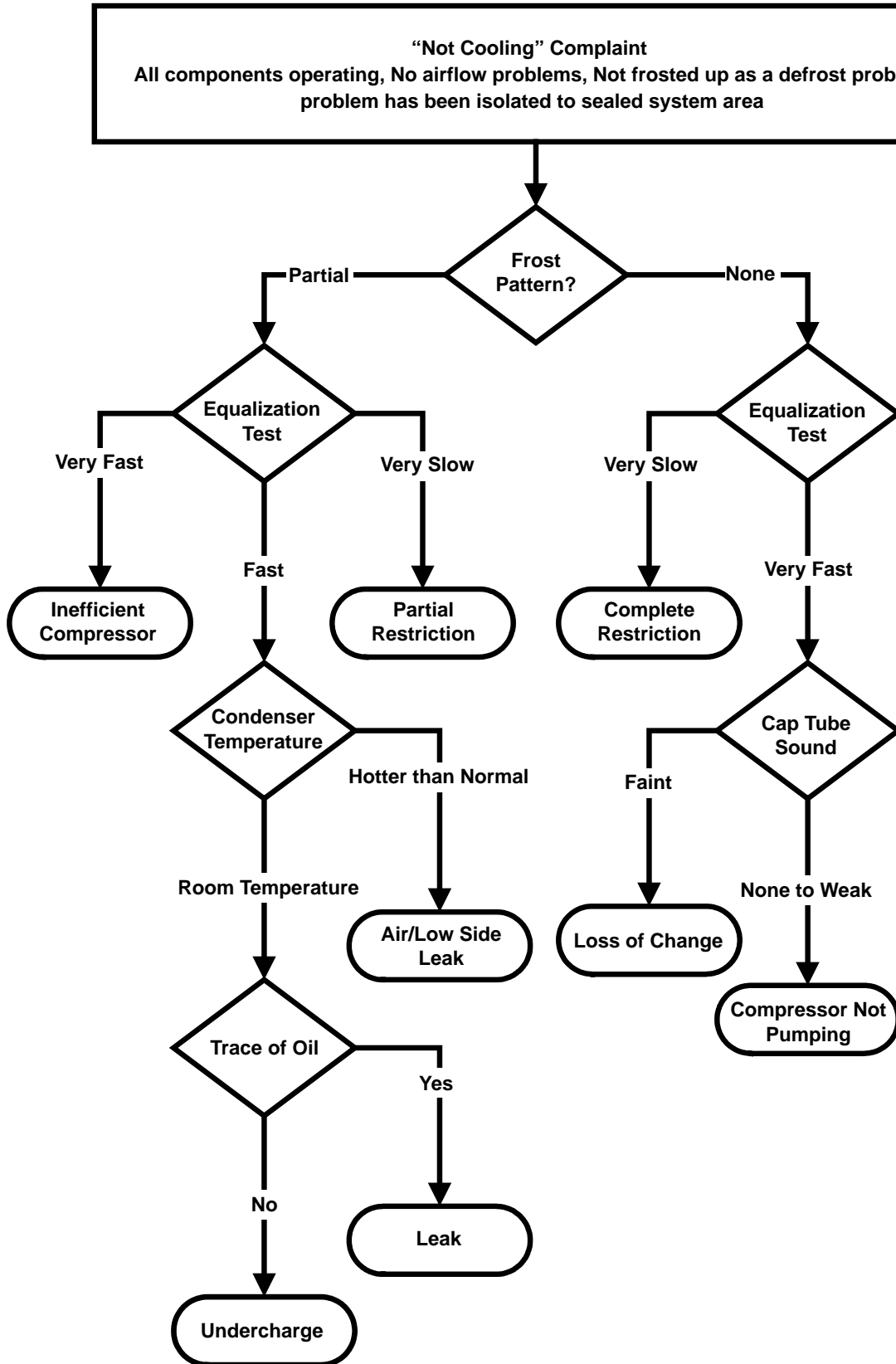


6-5 REFRIGERATION CYCLE

▼ Troubleshooting Chart

CAUSE		STATE OF THE UNIT	STATE OF THE EVAPORATOR	TEMPERATURE OF THE COMPRESSOR	REMARKS
LEAKAGE	PARTIAL LEAKAGE	Freezer compartment and Refrigerator don't cool normally.	Low flowing sound of Refrigerant is heard and frost forms in inlet only.	A little higher than ambient temperature.	<ul style="list-style-type: none"> Refrigerant level is low due to a leak. Normal cooling is possible by restoring the normal amount of refrigerant and repairing the leak.
	COMPLETE LEAKAGE	Freezer compartment and Refrigerator don't cool normally.	Flowing sound of refrigerant is not heard and frost isn't formed.	Equal to ambient temperature.	<ul style="list-style-type: none"> No discharging of Refrigerant. Normal cooling is possible by restoring the normal amount of refrigerant and repairing the leak.
CLOGGED BY DUST	PARTIAL CLOG	Freezer compartment and Refrigerator don't cool normally.	Flowing sound of refrigerant is heard and frost forms in inlet only.	A little higher than ambient temperature.	<ul style="list-style-type: none"> Normal discharging of the refrigerant. The capillary tube is faulty.
	WHOLE CLOG	Freezer compartment and Refrigerator don't cool.	Flowing sound of refrigerant is not heard and frost isn't formed.	Equal to ambient temperature.	<ul style="list-style-type: none"> Normal discharging of the Refrigerant.
MOISTURE CLOG		Cooling operation stops periodically.	Flowing sound of refrigerant is not heard and frost melts.	Lower than ambient temperature.	<ul style="list-style-type: none"> Cooling operation restarts when heating the inlet of the capillary tube.
DEFECTIVE COMPRESSION	COMP-RESSION	Freezer and Refrigerator don't cool.	Low flowing sound of refrigerant is heard and frost forms in inlet only.	A little higher ambient temperature.	<ul style="list-style-type: none"> Low pressure at high side of compressor due to low refrigerant level.
	NO COMP-RESSION	No compressing operation.	Flowing sound of refrigerant is not heard and there is no frost.	Equal to ambient temperature.	<ul style="list-style-type: none"> No pressure in the high pressure part of the compressor.

6-5-1 SEALED SYSTEM DIAGNOSIS

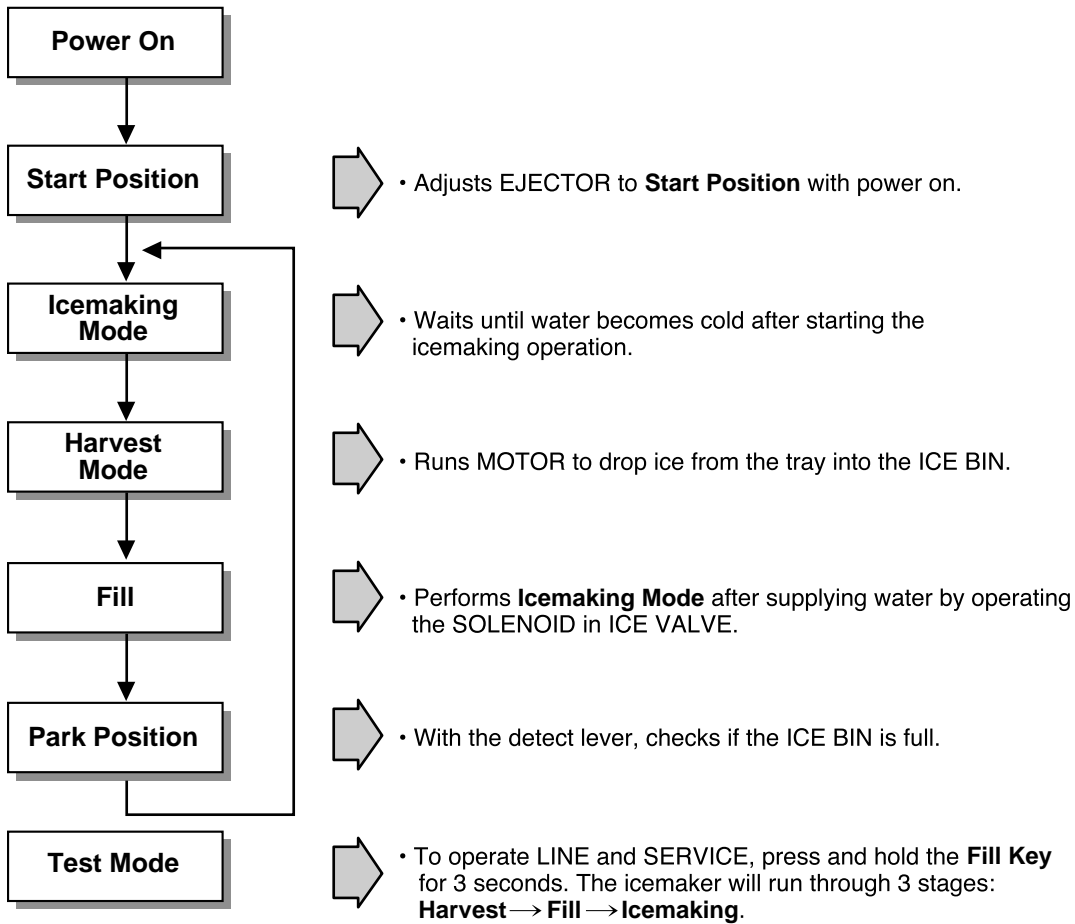


(The equalization test is trying to restart a compressor using a start kit after it has been operating.)

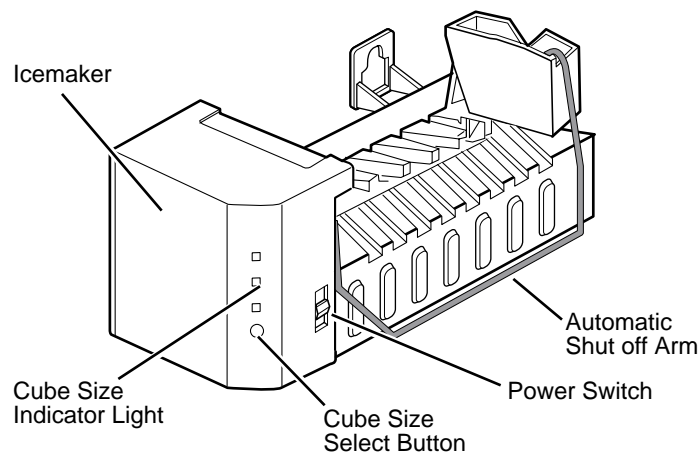
7. OPERATION PRINCIPLE AND REPAIR METHOD OF ICEMAKER

7-1 OPERATION PRINCIPLE

7-1-1 Operation Principle of IceMaker



1. Turning the Icemaker stop switch off (O) stops the icemaking function.
2. Setting the Icemaker switch to OFF and then turning it back on will reset the icemaker control.



7-2 ICE MAKER FUNCTIONS

7-2-1 Start Position

1. After POWER OFF or power outage, check the EJECTOR's position with MICOM initialization to restart.
2. How to check if it is in place:
 - Check **HIGH/LOW** signals from HALL SENSOR in MICOM PIN.
3. Control method to check if it is in place:
 - (1) EJECTOR is in place,
 - It is an initialized control, so the mode can be changed to ice making control.
 - (2) EJECTOR isn't in place:
 - A. If EJECTOR is back in place within 2 minutes with the motor on, it is being initialized. If not, go to step B.
 - B. If EJECTOR is back in place within 18 minutes after the heater turns from ON to OFF, it is being initialized. If not, it is not functioning. Repeat step B with heater and motor off.

7-2-2 Ice Making Mode

1. Icemaking refers to the freezing of supplied water in the ice trays. Complete freezing is assured by measuring the temperature of the Tray with icemaking SENSOR.
2. Icemaking starts after completion of the water fill operation.
3. The icemaking function is completed when the sensor reaches -7°C, 60 to 240 minutes after starting.
4. If the temperature sensor is defective, the icemaking function will be completed in 4 hours.

NOTE : After icemaker power is ON, the icemaker heater will be on for test for 9 sec.

7-2-3 Harvest Mode

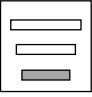
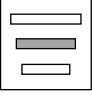

1. Harvest (Ice removing) refers to the operation of dropping ices into the ice bin from the tray when icemaking has completed.
2. Harvest mode:
 - (1) The Heater is ON for 30 seconds, then the motor starts.
 - (2) Harvest mode is completed if it reaches start position again while Heater & Motor are on at the same time.
 - A. ice bin is full : The EJECTOR stops (heater off).
 - B. ice bin is not full : The EJECTOR rotates twice to open for ice.

NOTE : If the EJECTOR does not rotate once within 5 minutes in status (2), separate heater control mode starts operating to prevent the EJECTOR from being constrained. (It is recommended that the user open for ice to return to normal mode.)

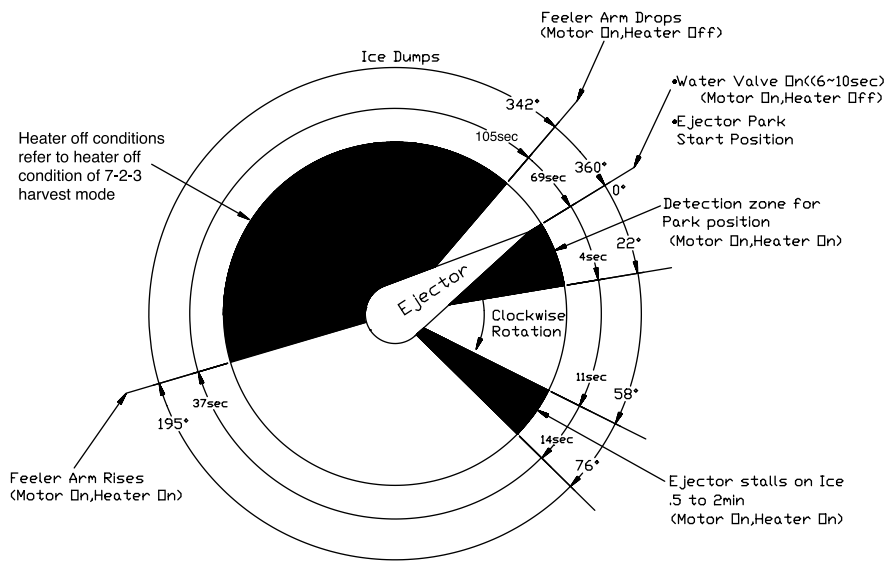
7-2-4 Fill/Park Position

- Once a normal harvest mode has been completed, the water solenoid will be activated.
- The amount of water is adjusted by pressing the fill key repeatedly. This changes the time allowed for fill as illustrated in the table below.

Water supply amount table

STAGE	TIME TO SUPPLY	INDICATIONS	REMARKS
1	6 sec.		The water amount will vary depending on the water control switch setting, as well as the water pressure of the connected water line.
2	7 sec.		
3	8 sec.		

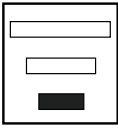
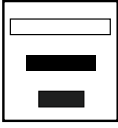
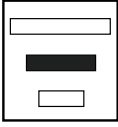
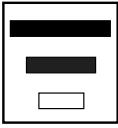

NOTE : Below is an example used by another vendor as an explanation of what is taking place.



7-2-5 Function TEST

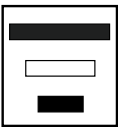
1. This is a compulsory operation for test, service, cleaning, etc. It is operated by pressing and holding the fill key for 3 seconds.
2. The test works only in the icemaking mode. It cannot be entered from the harvest or fill mode. (If there is an ERROR, it can only be checked in the test mode.)
3. **Caution!** If the test is performed before water in the icemaker is frozen, the ejector will pass through the water. When the fill mode begins (stage 4), unless the water supply has been shut off, added water will overflow into the ice bin. If the control doesn't operate normally in the test mode, check and repair as needed.
4. After water is supplied, the normal cycle is followed: **icemaking** → **harvest** → **fill** → **park position**.
5. Five seconds after stage 5 is completed, the icemaker returns to MICOM control. The time needed to supply water resets to the pre-test setting.

< 5 stage of diagnosis >

STAGE	ITEMS	INDICATOR	REMARKS
1	HEATER		Five seconds after heater starts, heater will go off if temperature recorded by sensor is 50°F(10°C) or lever is in up position.
2	MOTOR		Five seconds after heater starts, you can confirm that motor is moving.
3	HALL IC I (detection of position)		You can confirm hall ic detection of position.
4	VALVE		Two seconds after detection of initial position, you can confirm that valve is on.
5	HALL IC II (detection of full-filled Ice)		You can check whether the Hall IC is sensing a full ice condition.(If there is a full-filled error, the fifth stage would not be progressed)
6	Reset	Mark previous status on TEST mode	Five seconds after fifth stage is completed, the icemaker resets to initial status.

7-3 DEFECT DIAGNOSIS FUNCTION

7-3-1 ERROR CODE on water supply control panel at Ice Maker

No	ITEM	ERROR CODE	CONTENTS	REMARKS
1	Normal	Mark time to supply	None	Display switch operates properly
2	Ice-Making Sensor malfunction		Open or short-circuited wire	Make sure that the wire on each sensor is connected.

* ERROR indicators in table can be checked only on TEST mode.

8. DESCRIPTION OF FUNCTION & CIRCUIT OF MICOM

8-1 FUNCTION

8-1-1 Function

1. When the appliance is plugged in, it is set to "37" for Refrigerator and "0" for freezer.
You can adjust the Refrigerator and the Freezer control temperature by pressing the ADJUST button.
2. When the power is initially applied or restored after a power failure, it is automatically set to "37" & "0".

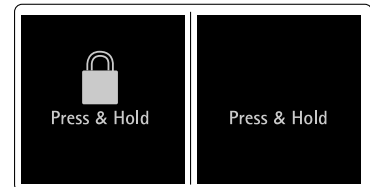


8-1-2 How to Change the Temperature Mode to °F / °C

1. The setting temperature mode can be changed to °F / °C by pressing and holding Freezer Temp. key of Freezer and Refrigerator Temp. key of Refrigerator over 5 seconds. at the same time.
2. The initial setting is °F. Whenever the mode is changed, the LCD lights are changed.

8-1-3 Lock function (dispenser and display button lock)

1. In power application of refrigerator, the "LOCK" icon is turned off at the upper side of lock graphic of display with the lock release status.
2. If desiring to lock the display the dispenser and control panel push on the LOCK button more than 3 seconds. LOCK text is turned on at the upper side of lock graphic of display with lock status.
3. The buzzer sound and control panel and dispenser function is not performed even if pressing display button other than lock key in the lock status.
4. If desiring to release the lock status and pressing the lock button more than 3 seconds. "LOCK" icon is turned off at the upper side of lock graphic of display with the lock release status.





Ex) In selecting "LOCK"

Ex) In selecting "LOCK" again

8-1-4 Filter condition display function

1. There is a replacement indicator icon for the water filter cartridge on the dispenser.
2. Water filter needs replacement once six months.
3. Water filter icon turns on to tell you need to replace the filter soon.
4. After replace the filter, press and hold the lock button more than 3 seconds.
Then water filter light turns off with reset status.

Classification

	In initial Power On / Filter RESET	Replace indicator light on
Filter Status Display		

8-1-5 Ultra Ice selection

Please select this function for prompt freezer.

- Function is repeated following below whenever pressing Ultra Ice button.
- Ultra Ice function automatically turns off if a fixed time passes.



8-1-6 CONTROL OF FREEZER FAN MOTOR

1. Freezer fan motor has high and standard speeds.
2. High speed is used at power-up, for Ultra Ice, and when refrigerator is overloaded.
Standard speeds is used for general purposes.
3. To improve cooling speed, the RPM of the freezer fan motor change from normal speed to high.
4. High speed (2700RPM) : Initial power on or load corresponding operation, Ultra Ice.
Normal speed (2400RPM) : General working conditions.
5. Fan motor stops when refrigerator or freezer door opens.

8-1-7 Ultra Ice

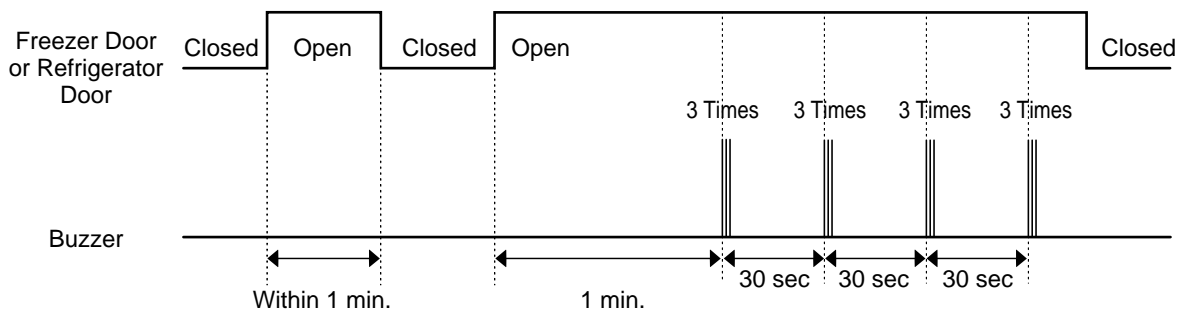
1. The purpose of this function is to intensify the cooling speed of freezer and to increase the amount of ice.
2. When Ultra Ice is selected, LCD will remain ON for Ultra Ice Cycle.
3. If power is lost to the refrigerator, Ultra Ice function will be canceled.
4. To activate this function, to press the Ultra Ice key and the LCD will turn ON. This function will remain activated for 24 hrs. The first three hours the compressor and Freezer Fan will be ON. The next 21 hours the freezer will be controlled at the lowest temperature. After 24 hours or if the Ultra Ice key is pressed again, the freezer will return to its previous temperature.
5. For the first three hours notice the following cases:
 - (1) Compressor and freezer fan (HIGH RPM) continuously operate for three hours.
 - (2) If defrost starts during Ultra Ice, Ultra Ice operates for the rest of time after defrost is completed, when Ultra Ice operation time is less than 90 minutes.
If Ultra Ice operates for more than 90 minutes, the Ultra Ice will operate for two hours after defrost is completed.
 - (3) If Ultra Ice is pressed during defrost, Ultra Ice LCD is on but this function will start seven minutes after defrost is completed and it shall operate for three hours.
 - (4) If Ultra Ice is selected within seven minutes after compressor has stopped, the compressor (compressor delays seven minutes) shall start after the balance of the delay time.
 - (5) The fan motor in the freezer compartment runs at high speed during Ultra Ice .
6. For the rest of the 21 hours, the freezer will be controlled at the lowest temperature.

8-1-8 REFRIGERATOR LAMP AUTO OFF

1. To avoid heat damage caused by the lamp, it is turned off automatically when the refrigerator door is open for more than 7 minutes.

8-1-9 Alarm for Open Door

1. This feature sounds a buzzer when the freezer or refrigerator door is not closed within 1 minute after it is opened.
2. One minute after the door is opened, the buzzer sounds three times each for 1/2 seconds. These tones repeat every 30 seconds.
3. The alarm is cancelled when the freezer or the refrigerator is closed while the buzzer sounds.



8-1-10 Buzzer Sound

When the button on the front Display is pushed, a Ding~ Dong~ sound is produced.

8-1-11 Defrost cycle

1. A defrost cycle will be initiated after 4 hours of accumulated compressor run time after the initial power up or a power failure.
2. After the initial defrost, the defrost cycle is initiated after 7 hours of accumulated compressor run time.
3. The defrost cycle will be terminated once the defrost sensor reaches 50°F(10°C).

8-1-12 Filter Replacement Indication

1. After 6 months since the UNIT (refrigerator) has been power on, the water filter icon is ON.
2. When the water filter indicator LCD is illuminated, you should change the water filter. After this, you must press the water filter button for three seconds and you will hear a ding-dong sound.
The icon will be OFF. This operation will indicate that the UNIT is reset to its initial conditions, so this process is restarted.

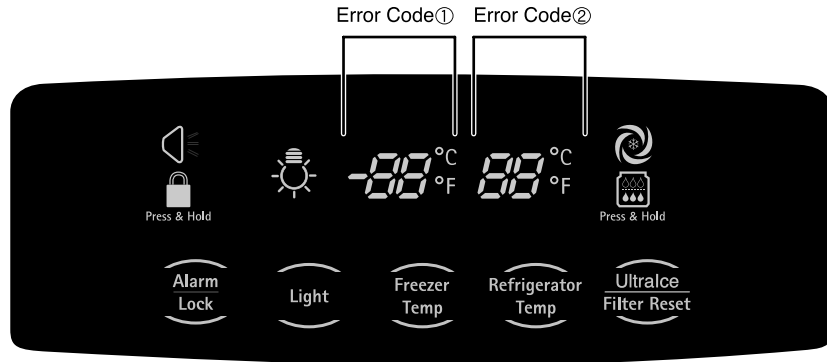
8-1-13 DISPENSER LIGHT

Please select this function for DISPENSER LIGHT MODE.

1. Normal status (LIGHT icon is OFF) : When dispenser is operated, DISPENSER LIGHT is ON.
2. ON status (LIGHT icon is ON) : DISPENSER LIGHT is on continuously.

8-1-13 Automatic Diagnosis Function

1. Automatic diagnosis makes servicing the refrigerator easy.
2. When an error occurs, the buttons will not operate; but the tones. such as ding. will sound.
3. When the error CODE removes the sign, it returns to normal operation (RESET).
4. The error CODE shows on the Refrigerator and Freezer Display.



ERROR CODE on display panel

NO	ITEM	ERROR CODE		CONTENTS	REMARKS
		①	②		
1	Failure of freezer sensor	Er	FS	Cut or short circuit wire	Inspect Connecting wires on each sensor
2	Failure of Refrigerator sensor	Er	rS	Cut or short circuit wire	
3	Failure of defrost sensor	Er	dS	Cut or short circuit wire	
4	Failure of Room Temperature sensor	* NOTE 1		Cut or short circuit wire	
5	Failure of defrost mode	Er	dH	When defrost sensor doesn't reach 46°F(8°C) within 1 hour after starting defrost	Snapping of defrost heater or Temperature fuse, pull-out of connector (indicated minimum 1 hour after failure occurs)
6	Failure of BLDC Fan Motor at Freezing Compartment	Er	FF	If there is no fan motor signal for more than 65sec in operation fan motor	Poor motor, hooking to wires of fan, contact of structures to fan, snapping or short circuit of Lead wires
7	Failure of BLDC Fan Motor a Mechanical Room	Er	CF	If there is no fan motor signal for more than 65sec in operation fan motor	Poor motor, hooking to wires of fan, contact of structures to fan, snapping or short circuit of Lead wires
8	Failure of communication	Er	CO	If there is no signal for Communication between Main PCB and display PCB	Short or open of lead wire connecting between main PCB and display PCB, transmission TR and receiving part

* LCD check function: If simultaneously pressing Ultra Ice button and freezing temperature adjustment button for a second, display LCD graphics on. If releasing the button, the LCD graphic displays the previous status.

8-1-14 TEST Mode

1. The Test mode allows checking the PCB and the function of the components as well as finding out the defective part in case of an error.
2. While in the test mode, the function control button is not recognized, but the recognition tone (beep~) sounds.
3. After exiting the test mode, be sure to reset by unplugging and then plugging in the appliance.
4. If an error, such as a sensor problem, is detected while in the test mode, the test mode is cleared and the error code is displayed.
5. While an error code is displayed, the test mode will not be activated.

MODE	MANIPULATION	CONTENTS	REMARKS
TEST1	Push TEST Switch (in the main Board) once.	1) Continuous operation of the COMPRESSOR and the Freezer fan 2) Stepping DAMPER OPEN 3) Defrosting HEATER OFF 4) DISPLAY LCD all ON	
TEST2	Push TEST Switch once in TEST MODE 1	1) Continuous operation of the COMPRESSOR and the Freezer fan 2) Stepping DAMPER CLOSE 3) Defrosting HEATER OFF 4) DISPLAY LCD shows no. 2	
TEST3	Push TEST Switch once in TEST MODE 2	1) COMPRESSOR and the Freezer fan OFF 2) Stepping DAMPER CLOSE 3) Defrosting HEATER ON 4) DISPLAY LCD shows no. 3	Reset if the Temperature of the Defrosting Sensor is 46°F(8°C) or more.
RESET	Push TEST Switch once in TEST MODE 3	Reset to the previously setting Before TEST MODE.	The compressor will Start after a 7-minute Delay.

* Freezer Fan RPM Variable Check:

In case the freezer fan is in operation when the Ultra Ice button and freezing temp. button. Control are pressed for more than one second at the same time freezer fan RPM changes. (for example if high speed, to normal speed or if normal speed, to high speed for 30 seconds)
After 30 seconds, it turns to its original RPM.

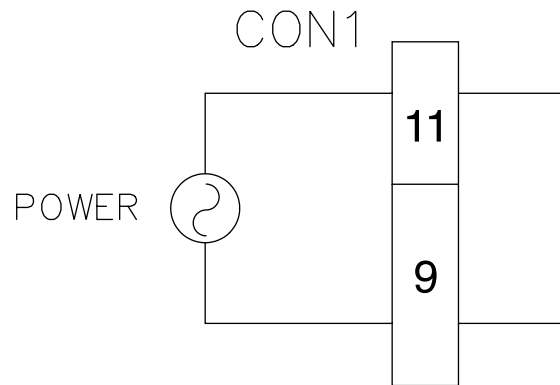
* Demonstration MODE:

1. After open the door, when the Ultra Ice button and the Refrigerator Temperature Control button are pushed at the same time and hold for 5 seconds or longer, it converts to Demonstration Mode.
2. The Display shows OFF in F/R temperature display.
3. In this status, all Loads are off (Compressor / Fan / Damper / Heater)
(The refrigerator Lamp automatic off function works normally and can be demonstrated)
4. To release demonstration mode, reset display by pressing the Ultra Ice button and the Refrigerator Temperature Control button at the same time and holding for 5 seconds or longer in status of open the door.

8-2 PCB FUNCTION

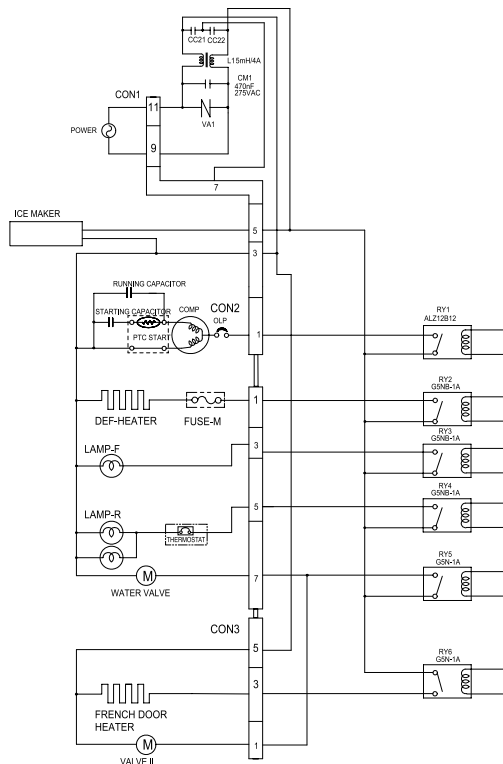
8-2-1 Power Circuit

1. Power is supplied to the control board at pin7 and 9 of connector #1.



8-2-2 Load / Buzzer Drive & Open Door Detection Circuit

1. Load Drive Condition Check



To measure outputs of the control board, check voltages between the pins for the following components:

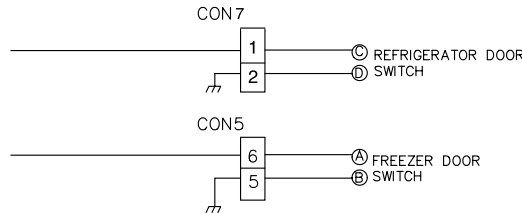
Circuit	Pin Number	Pin Number	Output Voltage
Compressor	Con1 pin1	Con1 pin1	115 VAC
Defrost heater	Con2 pin1	Con1 pin1	115 VAC
F,R-lamp	Con2 pin,3,5	Con1 pin1	115 VAC
Water valve	Con2 pin7	Con1 pin1	115 VAC
Dew heater	Con3 pin3	Con1 pin1	115 VAC
Water valve	Con3 pin1	Con1 pin1	115 VAC

NOTE: When the door of the freezer/refrigerator is left open for 7 minutes or longer, the lamp of the freezer/refrigerator turns.

2. Fan motor driving circuit (freezing compartment fan, mechanical room)

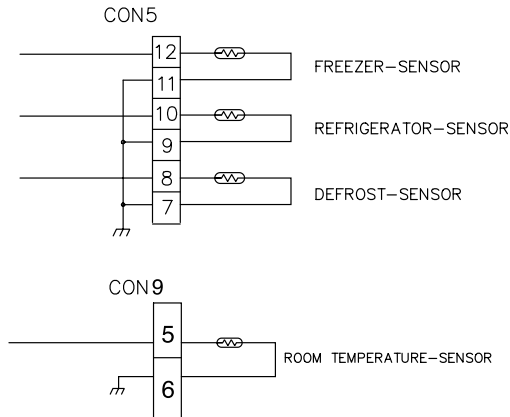
	F-FAN	C-FAN
Pin Number	Pin1 & 2 of con4	Pin4 & 5 of con4
MOTOR OFF	2V or less	2V or less
MOTOR ON	2V or less	2V or less

3. Open Door Detection Circuit Check



8-2-3 Temperature Sensor Circuit

Freezer/ Refrigerator Door	Measurement Location	Pin 4 & 5 of con4 Ref.Door Pin 5 & 6 of con5 Fre.Door
	Closed	0 V
	Open	5 V



TEMPERATURE	RESISTANCE OF FREEZER SENSOR	RESISTANCE OF REFRIGERATOR & DEFROST SENSOR & ROOM SENSOR
- 20 °C (-4 °F)	22.3 KΩ	77 KΩ
- 15 °C (5 °F)	16.9 KΩ	60 KΩ
- 10 °C (14 °F)	13.0 KΩ	47.3 KΩ
- 5 °C (23 °F)	10.1 KΩ	38.4 KΩ
0 °C (32 °F)	7.8 KΩ	30 KΩ
+ 5 °C (41 °F)	6.2 KΩ	24.1 KΩ
+ 10 °C (50 °F)	4.9 KΩ	19.5 KΩ
+ 15 °C (59 °F)	3.9 KΩ	15.9 KΩ
+ 20 °C (68 °F)	3.1 KΩ	13 KΩ
+ 25 °C (77 °F)	2.5 KΩ	11 KΩ
+ 30 °C (86 °F)	2.0 KΩ	8.9 KΩ
+ 40 °C (104 °F)	1.4 KΩ	6.2 KΩ
+ 50 °C (122 °F)	0.8 KΩ	4.3 KΩ

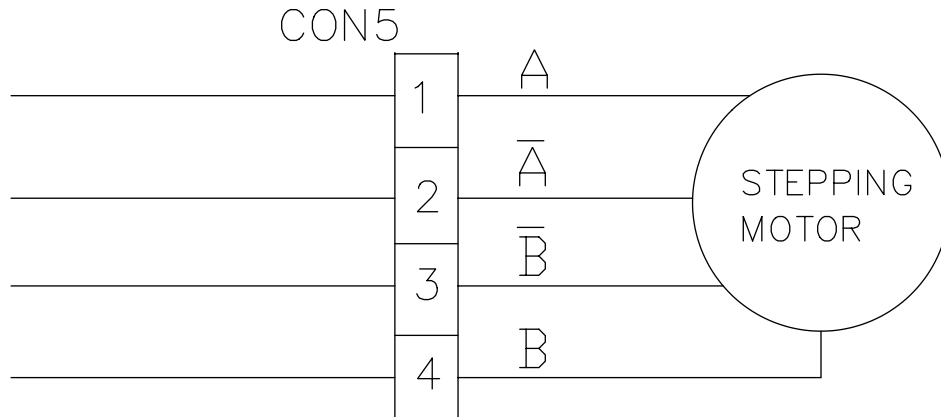
- The resistance of the SENSOR has a $\pm 5\%$ common difference.
- Measure the resistance of the SENSOR after leaving it for over 3 minutes in the measuring temperature. This delay is necessary due to sensor response speed.

8-2-4 Refrigeration Compartment Stepping Motor Damper Circuit

A reversible DC motor is used to open and close the damper.

To open the damper, push test button once.

To close the damper, push test button twice.



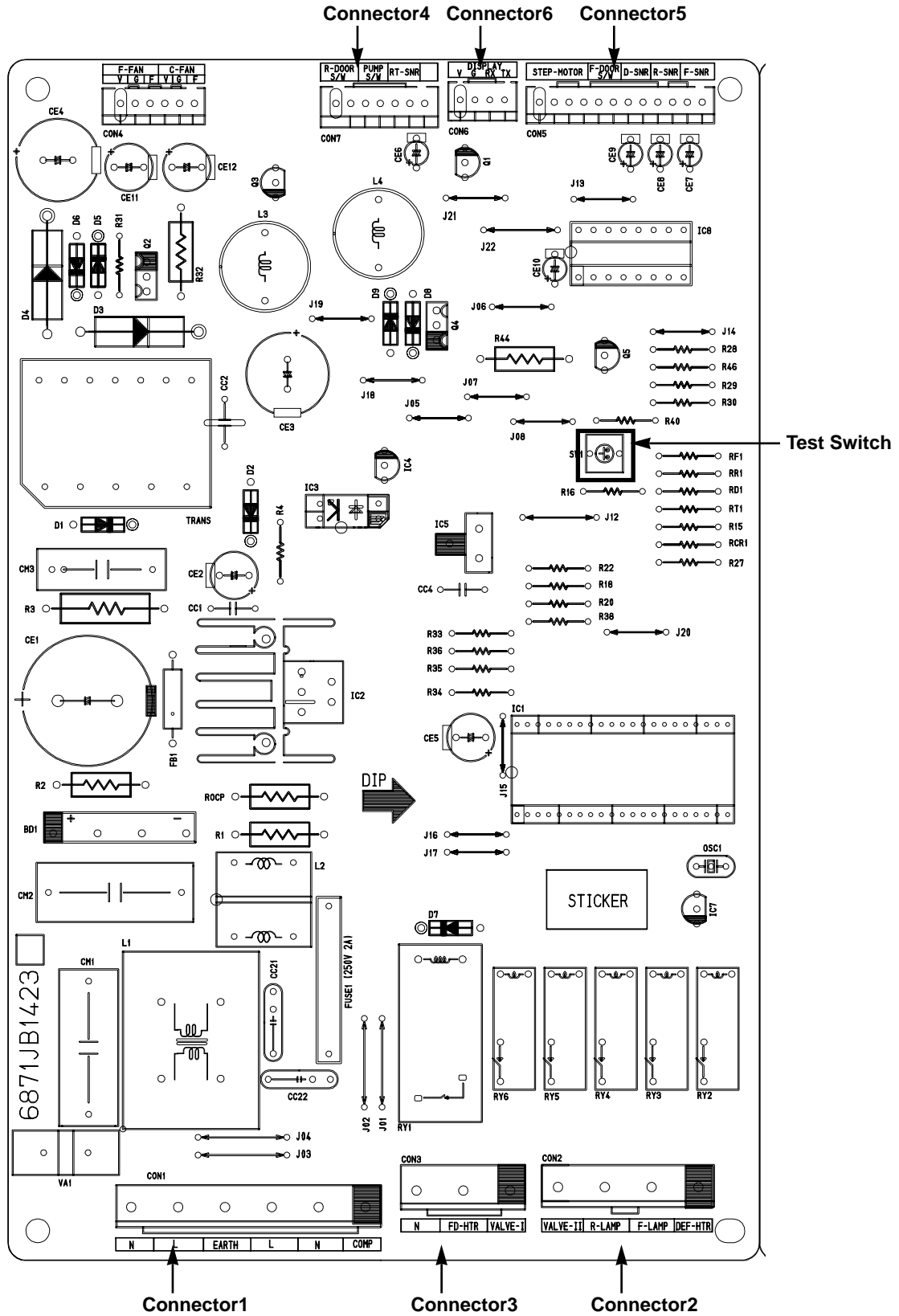
8-3 TROUBLESHOOTING

PROBLEM	INDICATED BY	CHECK	CHECKING METHOD	CAUSE	SOLUTION
POWER SOURCE is poor.	1. The whole DISPLAY LCD is off.	1. FREEZER/ REFRIGERATOR.	Check if FREEZER/REFRIGERATOR DOOR IS OPEN and check display.	POWER SOURCE is poor.	Use boosting TRANS.
		2. If LAMP is dim.	Check visually.	Applied voltage error.	Reconnect CONNECTOR.
	2. DISPLAY LCD DISPLAY operates abnormally	3. The connection of the MAIN PWB CONNECTOR.	Check connection of CONNECTOR.	CONNECTOR connection is poor.	Replace TRANS.
				TRANS FUSE is open.	Replace COMPRESSOR.
COOLING is poor.	NO COOLING.	1. If the COMPRESSOR operate.	USE TEST MODE1 (forced COOLING). If less than 7 minutes pass after compressor shuts off, don't press the KEY and wait.	COMPRESSOR locked or blocked.	Replace OLP, PTC.
				OLP, PTC is poor. COMPRESSOR RELAY is poor.	Replace MAIN PWB.
				THE CONNECTING WIRE is poor.	Check the connection of the black wire of the MAIN PWB CONNECTOR (CON2).
		2. If refrigerant is leaking.	Measure the amount of frost sticking on EVAPORATOR and the surface temperature of the condenser pipe.	Refrigerant leakage.	Replace the leaking part and replace any lost refrigerant.
	FREEZER TEMPERATURE is incorrect	1. If FAN MOTOR operates.	USE TEST MODE1 (forced COOLING).	FAN MOTOR is poor.	Replace the FAN MOTOR.
				CONNECTING WIRE is poor.	Certify the MOTOR and the connection of the black wire of the MAIN PWB CONNECTOR (CON2).
		2. If DEFROSTING is normal.	Check the amount of frost sticking on the EVAPORATOR .	DEFROSTING is poor.	See DEFROSTING is poor.
		3. If SENSOR is normal.	of the Refrigerator SENSOR.	SENSOR RESISTANCE is poor.	Replace SENSOR.
		4. Door Line contact.	Check the seal when the door is closed.	Door liner damaged.	Replace door liner.

PROBLEM	INDICATED BY	CHECK	CHECKING METHOD	CAUSE	SOLUTION
COOLING is poor.	If REFRIGERATOR TEMPERATURE is too low.	1. If FREEZER TEMPERATURE is normal.	Check is FREEZER TEMPERATURE is too low.		Make sure the DOOR is attached.
		2. If amount of cool air from FAN MOTOR is sufficient.	Make sure that the amount and speed of cool air are sufficient by touching the check supplied on the REFRIGERATOR.	FAN MOTOR is poor.	Replace FAN MOTOR.
				Passage of cool air is blocked.	Remove impurities.
		3. Door Line contact.	Check door seal when door is closed.	EVA frozen.	See DEFROSTING is poor.
Door liner damaged.	Replace Door liner.				
DEFROSTING is poor.	NO DEFROSTING.	1. If HEATER emits heat.	USE TEST MODE3 (forced DEFROSTING).	HEATER disconnection.	Replace HEATER.
				TEMPERATURE FUSE disconnection.	Replace TEMPERATURE FUSE.
				Connection is poor.	Check EVAPORATOR connection and wire of MAIN PWB CONNECTOR.
				DEFROST-SENSOR is poor.	Replace DEFROST-SENSOR.
				HEATER RELAY is poor.	Replace RY3 of MAIN PWB.
		2. If DRAIN PIPE is blocked.	Check DRAIN PIPE.	DRAIN PIPE is blocked.	Remove ice and impurities.
					Check HEATER PLATE resistance.
		3. If ice remains after DEFROSTING.	Make sure that DEFROST SENSOR is connected.	Connection is poor.	Reassemble the DEFROST-SENSOR.
Make sure that FREEZER /REFRIGERATOR DOOR is closed.	DOOR does not close properly.				Reassemble DOOR. Replace GASKET.

8-4 MAIN PWB ASSEMBLY AND PARTS LIST

8-4-1 Main PWB Assembly





REPAIR PARTS LIST

MODELS No.
795.77729700
795.77719700
795.77713700
795.77712700

The model number of your refrigerator is found on the serial plate inside.

All repair parts listed are available for immediate purchase or special order when you visit your nearest Sears Service Center, or the Service Department at most Sears stores. To order parts by phone, call the toll free parts number listed to the left.

When requesting service or ordering parts, always provide the following information:

- Product Type
- Part Number
- Model Number
- Part Description

To call Toll Free For Parts:

1-800-366-PART
(1-800-366-7278)

For Service:

1-800-4-MY-HOME
(1-800-469-4663)

MAY. 14. 2007

Sears, Roebuck and Co., Hoffman Estates, IL 60179 U.S.A.

Get it fixed, at your home or ours!

Your Home

For repair—in your home—of all major brand appliances, lawn and garden equipment, or heating and cooling systems, **no matter who made it, no matter who sold it!**

For the replacement parts, accessories and owner's manuals that you need to do-it-yourself.

For Sears professional installation of home appliances and items like garage door openers and water heaters.

1-800-4-MY-HOME® (1-800-469-4663)

Call anytime, day or night (U.S.A. and Canada)

www.sears.com www.sears.ca

Our Home

For repair of carry-in items like vacuums, lawn equipment, and electronics, call or go on-line for the location of your nearest

Sears Parts & Repair Center.

1-800-488-1222

Call anytime, day or night (U.S.A. only)

www.sears.com

To purchase a protection agreement (U.S.A.) or maintenance agreement (Canada) on a product serviced by Sears:

1-800-827-6655 (U.S.A.)

1-800-361-6665 (Canada)

Para pedir servicio de reparación a domicilio, y para ordenar piezas:

1-888-SU-HOGARSM
(1-888-784-6427)

Au Canada pour service en français:

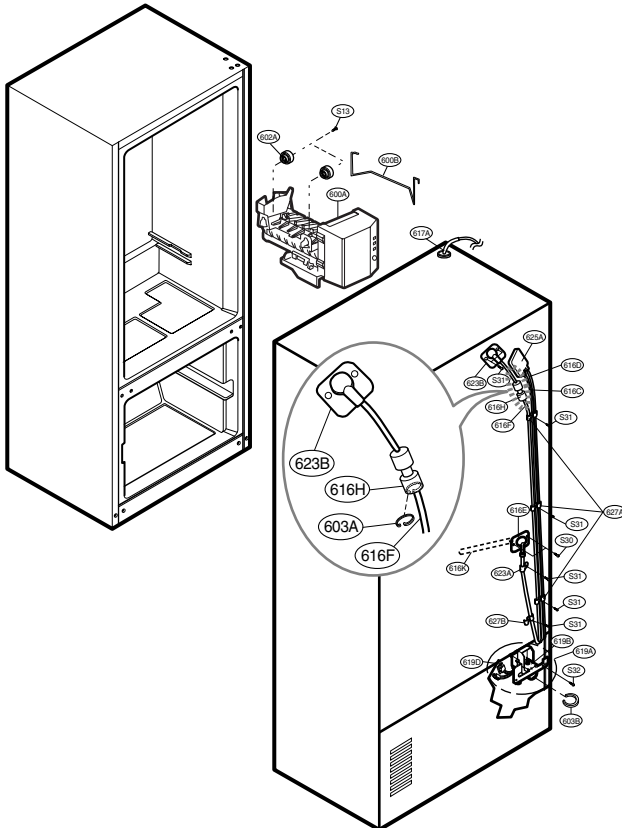
1-800-LE-FOYERSM
(1-888-533-6937)
www.sears.ca



© Registered Trademark /™ Trademark /SM Service Mark of Sears, Roebuck and Co.
© Marca Registrada /™ Marca de Fábrica /SM Marca de Servicio de Sears, Roebuck and Co.
MC Marque de commerce /no Marque déposée de Sears, Roebuck and Co.

© Sears, Roebuck and Co.

ICE MAKER PARTS

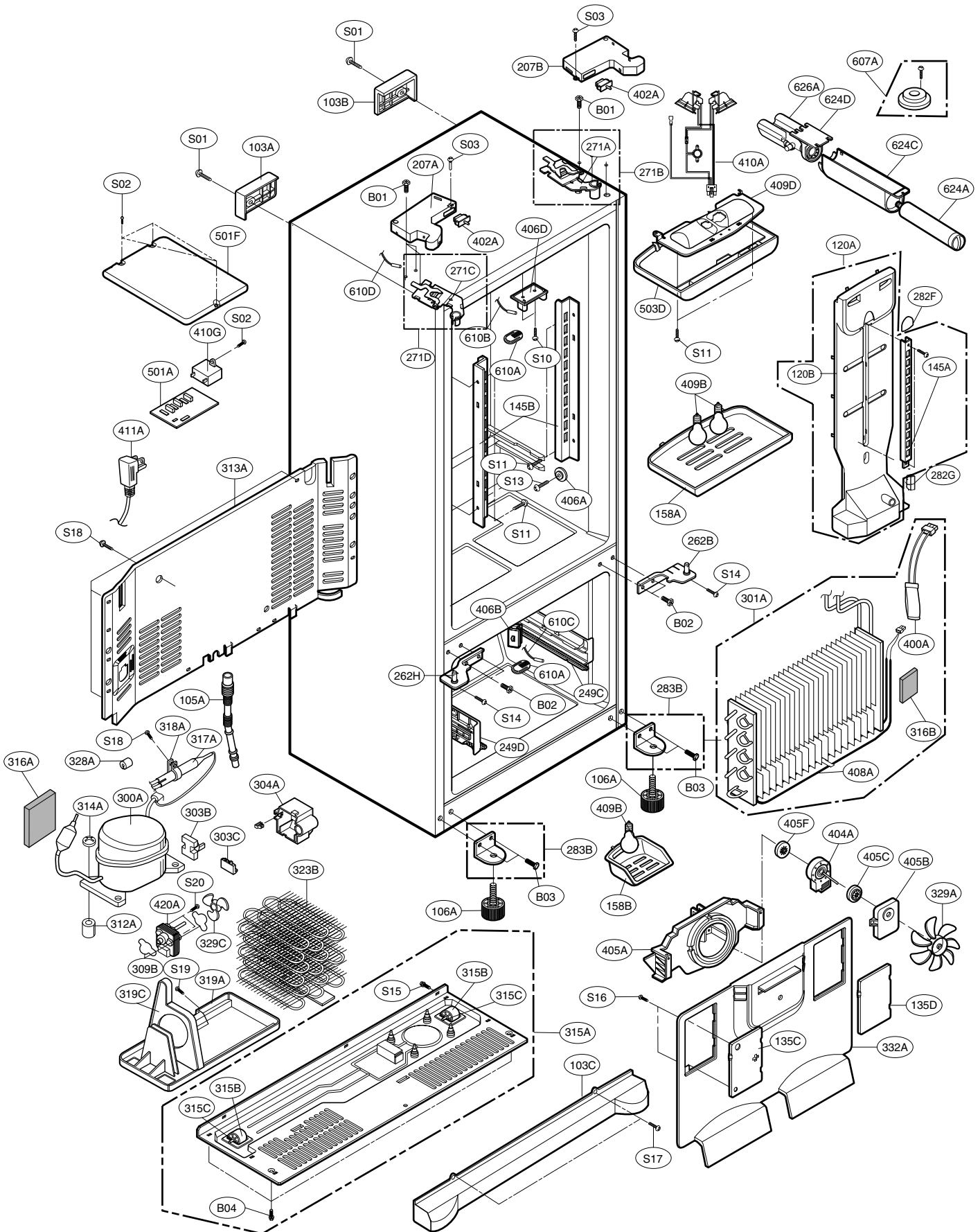


LOC No.	777*	Description
600A	5989JA0002Q	ICEMAKERASSEMBLY,KIT
600B	4510JA2014A	LEVER,ICE MAKER
602A	4930JA3090A	HOLDER,BRACKET
603A	4930JA3093B	HOLDER,BRACKET
603B	4930JA3091A	HOLDER,BRACKET
616C	5210JA3004U	TUBE,PE
616D	5210JA3005Q	TUBE,PE
616E	5211JA3003E	TUBEASSEMBLY,INJECT
616F	5210JA3004R	TUBE,PE
616H	4932JA3002C	CONNECTOR(MECH),TUBE
616K	5210JJ3007B	TUBE, INJECT
617A	4970JA3004N	SPRING,W
619A	5221JB1004N	VALVE ASSEMBLY,WATER
619B	5221JB2006K	VALVE ASSEMBLY,WATER
619D	6877JK2014B	DRAWING,ASSEMBLY
623A	4770JA3001A	BAND(MECH)
623B	5006JJ2009A	CAP,COVER
625A	3550JA2184A	COVER,TUBE
627A	4930JJ3018A	HOLDER,PIPE
627B	4930JA3054A	HOLDER,PIPE
S13	1SZZJJ3005E	SCREW,DRAWING
S30	1SZZJJ3009A	SCREW,DRAWING
S31	4J00415D	SCREW,DRAWING
S32	4000W4A003A	SCREW,DRAWING

CAUTION: Use the part number to order part, not the location number.

CASE PARTS

CAUTION: Use the part number to order part, not the position number.



CASE PARTS

L/No.	77729	77719	77712	77713	Description 漢
103A	3650JA2113P	3650JA2113P	3650JA2061B	3650JA2061X	Handle,Rear
103B	3650JA2113N	3650JA2113N	3650JA2061A	3650JA2061W	Handle,Rear
103C	3550J0008C	3550J0008C	3550J0008A	3550J0008L	Cover,Lower
105A	5251JA3003B	5251JA3003B	5251JA3003B	5251JA3003B	Tube Assembly,Drain
106A	4779JJ2001B	4779JJ2001B	4779JJ2001B	4779JJ2001B	Leg Assembly,Adjust
120A	5209JJ1009A	5209JJ1009A	5209JJ1009A	5209JJ1009A	Duct Assembly,Multi
135C	3550JA2263A	3550JA2263A	3550JA2263A	3550JA2263A	Cover,Grille Fan
135D	3551JJ2028A	3551JJ2028A	3551JJ2028A	3551JJ2028A	Cover Assembly,Grille Fan
145A	4930JA2080C	4930JA2080C	4930JA2080C	4930JA2080C	Holder,Shelf
145B	4930JA2081C	4930JA2081C	4930JA2081C	4930JA2081C	Holder,Shelf
158A	3550JJ1070B	3550JJ1070B	3550JJ1070B	3550JJ1070B	Cover,Lamp
158B	3550JA1386B	3550JA1386B	3550JA1386B	3550JA1386B	Cover,Lamp
207A	3550JJ1097E	3550JJ1097E	3550JJ1097A	3550JJ1097Q	Cover,Hinge
207B	3550JJ1097F	3550JJ1097F	3550JJ1097B	3550JJ1097R	Cover,Hinge
249C	4930JA1068B	4930JA1068B	4930JA1068B	4930JA1068B	Holder,Rail
249D	4930JA1068A	4930JA1068A	4930JA1068A	4930JA1068A	Holder,Rail
262B	4775JJ2017F	4775JJ2017F	4775JJ2017B	4775JJ2017P	Hinge Assembly,Center
262H	4775JJ2017H	4775JJ2017H	4775JJ2017D	4775JJ2017R	Hinge Assembly,Center
271A	4775JJ2014B	4775JJ2014B	4775JJ2014B	4775JJ2014B	Hinge Assembly,Upper
271B	4510JA3004A	4510JA3004A	4510JA3004A	4510JA3004A	Lever,Hinge
271C	4775JJ2014A	4775JJ2014A	4775JJ2014A	4775JJ2014A	Hinge Assembly,Upper
282F	3806JL1037A	3806JL1037A	3806JL1037A	3806JL1037A	Decor,Duct
283B	4774JJ3002A	4774JJ3002A	4774JJ3002A	4774JJ3002A	Hinge,Lower
300A	2521JA1020C	2521JA1020C	2521JA1020C	2521JA1020C	Compressor,Assembly
301A	5421JJ1003B	5421JJ1003B	5421JJ1003B	5421JJ1003B	Evaporator Assembly
303B	6748JA3001C	6748JA3001C	6748JA3001C	6748JA3001C	Thermistor,PTC
303C	6750JA3001C	6750JA3001C	6750JA3001C	6750JA3001C	Overload Protect
304A	3550JA2158A	3550JA2158A	3550JA2158A	3550JA2158A	Cover,PTC
308A	3551JA2081D	3551JA2081D	3551JA2081D	3551JA2081D	Cover Assembly,PTC
309B	5040JJ2001A	5040JJ2001A	5040JJ2001A	5040JJ2001A	Damper,Motor Support
312A	5040JA3071A	5040JA3071A	5040JA3071A	5040JA3071A	Damper,Compressor
313A	3551JJ2018A	3551JJ2018A	3551JJ2018A	3551JJ2018A	Cover Assembly,Machinery(Rear)
314A	4620JA3015A	4620JA3015A	4620JA3015A	4620JA3015A	Stopper,Compressor
315A	3103JJ1001H	3103JJ1001H	3103JJ1001H	3103JJ1001H	Base Assembly,Compressor
315B	4580JJ3001A	4580JJ3001A	4580JJ3001A	4580JJ3001A	Roller
315C	1PZZJA3013B	1PZZJA3013B	1PZZJA3013B	1PZZJA3013B	Pin,Common
316A	5072JA3003F	5072JA3003F	5072JA3003F	5072JA3003F	Damper,Noise
316B	5072JA3003B	5072JA3003B	5072JA3003B	5072JA3003B	Damper,Noise
317A	5851JA2008U	5851JA2008U	5851JA2008U	5851JA2008U	Drier Assembly
318A	4930JA3034A	4930JA3034A	4930JA3034A	4930JA3034A	Holder,Drier
319A	3390JA0040A	3390JA0040A	3390JA0040A	3390JA0040A	Tray,Drip
319C	4974JJ1036A	4974JJ1036A	4974JJ1036A	4974JJ1036A	Guide,Fan
323B	5403JJ1004B	5403JJ1004B	5403JJ1004B	5403JJ1004B	Condenser Assembly,Wire
327A	4J03020A	4J03020A	4J03020A	4J03020A	Damper,Pipe
329A	5901JA1021A	5901JA1021A	5901JA1021A	5901JA1021A	Fan Assembly
329C	5901JA1013A	5901JA1013A	5901JA1013A	5901JA1013A	Fan Assembly
332A	3530JJ0007A	3530JJ0007A	3530JJ0007A	3530JJ0007A	Grille,Fan
400A	6615JB2005H	6615JB2005H	6615JB2005H	6615JB2005H	Controller Assembly
402A	6600JB3007E	6600JB3007E	6600JB3007E	6600JB3007E	Switch,Push Button
402A	6600JB3007E	6600JB3007E	6600JB3007E	6600JB3007B	Switch,Push Button
404A	4681JK1004D	4681JK1004D	4681JK1004D	4681JK1004D	DC Motor
405A	4810JJ0003A	4810JJ0003A	4810JJ0003A	4810JJ0003A	Bracket,Motor
405B	4810JJ2005A	4810JJ2005A	4810JJ2005A	4810JJ2005A	Bracket,Motor
405C	5040JA2009B	5040JA2009B	5040JA2009B	5040JA2009B	Damper,Motor Support
405F	5040JA2004B	5040JA2004B	5040JA2004B	5040JA2004B	Damper,Motor Support
406A	AEJ33488901	AEJ33488901	AEJ33488901	AEJ33488901	Holder Assembly,Bracket
406B	6600JB1010A	6600JB1010A	6600JB1010A	6600JB1010A	Switch,Push Button
406D	4931JA3006A	4931JA3006A	4931JA3006A	4931JA3006A	Holder Assembly,Gasket
408A	5300JK1005D	5300JK1005D	5300JK1005D	5300JK1005D	Heater,Sheath
409B	6912JB2004K	6912JB2004K	6912JB2004K	6912JB2004K	Lamp,Incandescent
409D	3034JA1009A	3034JA1009A	3034JA1009A	3034JA1009A	Reflector,Lamp
410A	6621JK2003B	6621JK2003B	6621JK2003B	6621JK2003B	Drawing,Assembly
410G	0CZZJB2012J	0CZZJB2012J	0CZZJB2012J	0CZZJB2012J	Capacitor,Electric Appliance Film,Box
411A	6411JK1006A	6411JK1006A	6411JK1006A	6411JK1006A	Power Cord Assembly
420A	4681JB1029D	4681JB1029D	4681JB1029D	4681JB1029D	Motor,DC
501A	6871JB1423G	6871JB1423G	6871JB1423G	6871JB1423G	PCB Assembly,Main
501F	3551JA2144A	3551JA2144A	3551JA2144A	3551JA2144A	Cover Assembly,PCB
503D	3110JJ1014A	3110JJ1014A	3110JJ1014A	3110JJ1014A	Case,Lamp
607A	4931JA3005B	4931JA3005B	4931JA3005B	4931JA3005B	Holder Assembly,Bracket
610A	3550JA2247A	3550JA2247A	3550JA2247A	3550JA2247A	Cover,Sensor
610B	6500JB1001K	6500JB1001K	6500JB1001K	6500JB1001K	Sensor,Temperature
610C	6500JB2002B	6500JB2002B	6500JB2002B	6500JB2002B	Sensor
610D	6500JB2001B	6500JB2001B	6500JB2001B	6500JB2001B	Sensor
624A	5231JA2006A	5231JA2006A	5231JA2006A	5231JA2006A	Filter Assembly,Water
624C	3550JD1128B	3550JD1128B	3550JD1128B	3550JD1128B	Cover,Filter
624D	5230JA2003A	5230JA2003A	5230JA2003A	5230JA2003A	Filter,Head
626A	3550JA2279A	3550JA2279A	3550JA2279A	3550JA2279A	Cover,Filter
B01	4000W4A003A	4000W4A003A	4000W4A003A	4000W4A003A	Screw,Customized
B02	1STZJA3004Q	1STZJA3004Q	Screw,Customized		
B03	1STZJA3004F	1STZJA3004F	Screw,Customized		
B04	1BZZJA2002A	1BZZJA2002A	Bolt,Common		

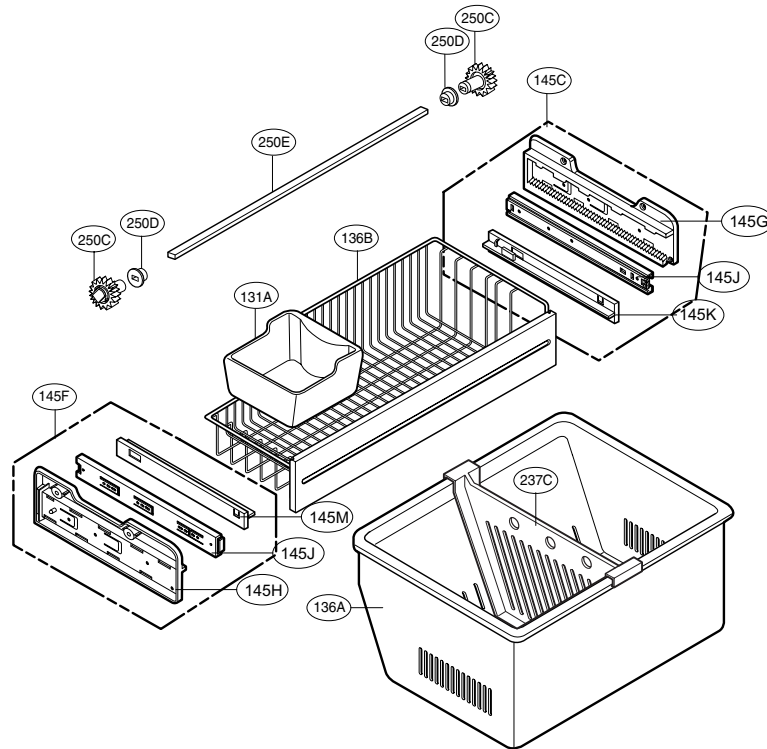
CAUTION: Use the part number to order part, not the position number.

CASE PARTS

L/No.	77729	77719	77712	77713	Description 説明
S01	4J00415D	4J00415D	4J00415D	4J00415D	Screw, Customized
S02	4J00415D	4J00415D	4J00415D	4J00415D	Screw, Customized
S03	4J00415D	4J00415D	4J00415D	4J00415D	Screw, Customized
S08	1SZZJJ3005Z	1SZZJJ3005Z	1SZZJJ3005Z	1SZZJJ3005Z	Screw, Customized
S10	1SBZJA3004L	1SBZJA3004L	1SBZJA3004L	1SBZJA3004L	Screw, Customized
S11	3J05696W	3J05696W	3J05696W	3J05696W	Screw, Customized
S12	3J05696W	3J05696W	3J05696W	3J05696W	Screw, Customized
S13	1SZZJJ3005E	1SZZJJ3005E	1SZZJJ3005E	1SZZJJ3005E	Screw, Customized
S14	1SZZJJ3010D	1SZZJJ3010D	1SZZJJ3010D	1SZZJJ3010D	Screw, Customized
S15	4000W4A003A	4000W4A003A	4000W4A003A	4000W4A003A	Screw, Customized
S16	3J05696W	3J05696W	3J05696W	3J05696W	Screw, Customized
S17	1SZZJA3005H	1SZZJA3005H	1SZZJA3005H	1SZZJA3005H	Screw, Customized
S18	4J00415D	4J00415D	4J00415D	4J00415D	Screw, Customized
S19	4J00415D	4J00415D	4J00415D	4J00415D	Screw, Customized
S20	1SZZJA3016A	1SZZJA3016A	1SZZJA3016A	1SZZJA3016A	Screw, Customized

FREEZER PARTS

CAUTION: Use the part number to order part, not the position number.

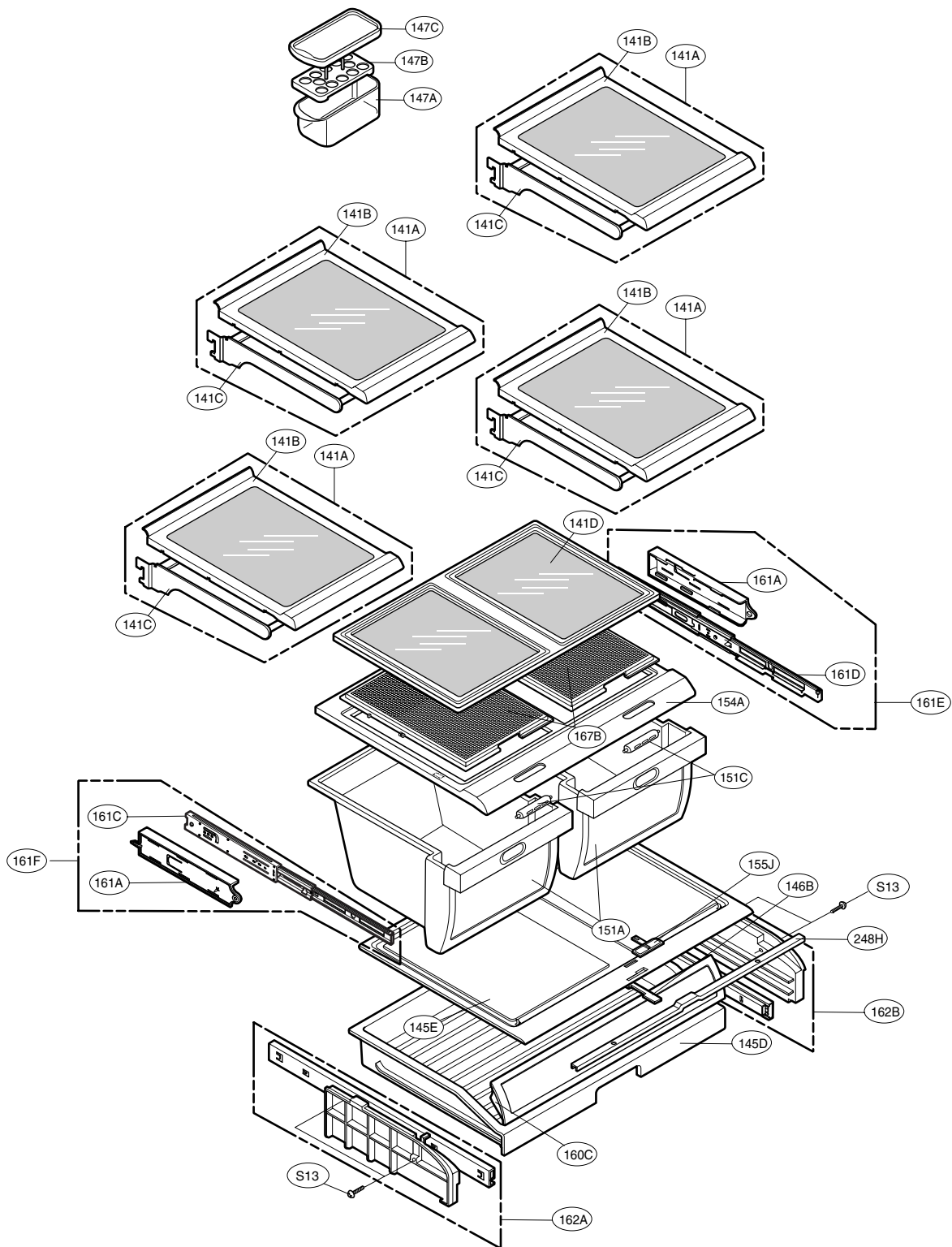


L/No.	777*	Description 説明
131A	5074JA2008A	Bucket, Ice
136A	3390JJ1073A	Tray, Drawer
136B	3391JA1114B	Tray Assembly, Drawer
145C	4975JA1040D	Guide Assembly, Rail
145F	4975JA1040C	Guide Assembly, Rail
237C	4974JJ1032A	Guide, Drawer
250C	4470JA2008A	Gear, Ice
250D	5006JA2069A	Cap, Cover
250E	MAK36519001	Bar

CAUTION: Use the part number to order part, not the position number.

REFRIGERATOR PARTS

CAUTION: Use the part number to order part, not the position number.



*: on some models

REFRIGERATOR PARTS

L/No.	77729	77719	77712	77713	Description 嘜
141A	5027JJ2014C	5027JJ2014C	5027JJ2014C	5027JJ2014C	Shelf Assembly,Refrigerator
141B	5026JJ1051B	5026JJ1051B	5026JJ1051B	5026JJ1051B	Shelf,Refrigerator
141C	5027JJ2012E	5027JJ2012E	5027JJ2012E	5027JJ2012E	Shelf Assembly,Net
141D	4890JL1012B	4890JL1012B	4890JL1012B	4890JL1012B	Cover,Glass
145D	3391JJ1030B	3391JJ1030B	3391JJ1030B	3391JJ1030B	Tray Assembly,Fresh Room
145E	3550JL1011B	3550JL1011B	3550JL1011B	3550JL1011B	Cover,Tray
146A	J469-00030A				Rack
146B	4520JJ1004A	4520JJ1004A	4520JJ1004A	4520JJ1004A	Link
147A	5074JJ1016A	5074JJ1016A	5074JJ1016A	5074JJ1016A	Bucket,Dairy
147B	3390JJ1082A	3390JJ1082A	3390JJ1082A	3390JJ1082A	Tray,Egg
147C	3550JJ1084A	3550JJ1084A	3550JJ1084A	3550JJ1084A	Cover,Bucket
151A	3391JJ2014A	3391JJ2014A	3391JJ2014A	3391JJ2014A	Tray Assembly,Vegetable
151C	4940JA2026C	4940JA2026C	4940JA2026C	4940JA2026C	Knob,Shutter
154A	3550JL1017A	3550JL1017A	3550JL1017A	3550JL1017A	Cover,TV
154B	3551JJ2031B	3551JJ2031B	3551JJ2031B	3551JJ2031B	Cover Assembly,TV
155J	4940JJ2009B	4940JJ2009B	4940JJ2009B	4940JJ2009B	Knob,Shutter
160C	3551JJ2021A	3551JJ2021A	3551JJ2021A	3551JJ2021A	Cover Assembly,Tray
161A	4930JJ1018A	4930JJ1018A	4930JJ1018A	4930JJ1018A	Holder,Rail
161C	5218JA2004B	5218JA2004B	5218JA2004B	5218JA2004B	Rail,Slide
161D	5218JA2004A	5218JA2004A	5218JA2004A	5218JA2004A	Rail,Slide
161E	4975JJ2019D	4975JJ2019D	4975JJ2019D	4975JJ2019D	Guide Assembly,Rail
161F	4975JJ2019C	4975JJ2019C	4975JJ2019C	4975JJ2019C	Guide Assembly,Rail
162A	4975JJ2016A	4975JJ2016A	4975JJ2016A	4975JJ2016A	Guide Assembly,Rail
162B	4975JJ2016B	4975JJ2016B	4975JJ2016B	4975JJ2016B	Guide Assembly,Rail
167B	3550JJ1073A	3550JJ1073A	3550JJ1073A	3550JJ1073A	Cover,Magic Room
248A	4980JJ2012B	4980JJ2012B	4980JJ2012B	4980JJ2012B	Supporter,Holder
248H	4980JJ2014A	4980JJ2014A	4980JJ2014A	4980JJ2014A	Supporter,Holder
S13	1SZZJJ3005E	1SZZJJ3005E	1SZZJJ3005E	1SZZJJ3005E	Screw,Customized
S13	1SZZJJ3005E	1SZZJJ3005E	1SZZJJ3005E	1SZZJJ3005E	Screw,Customized

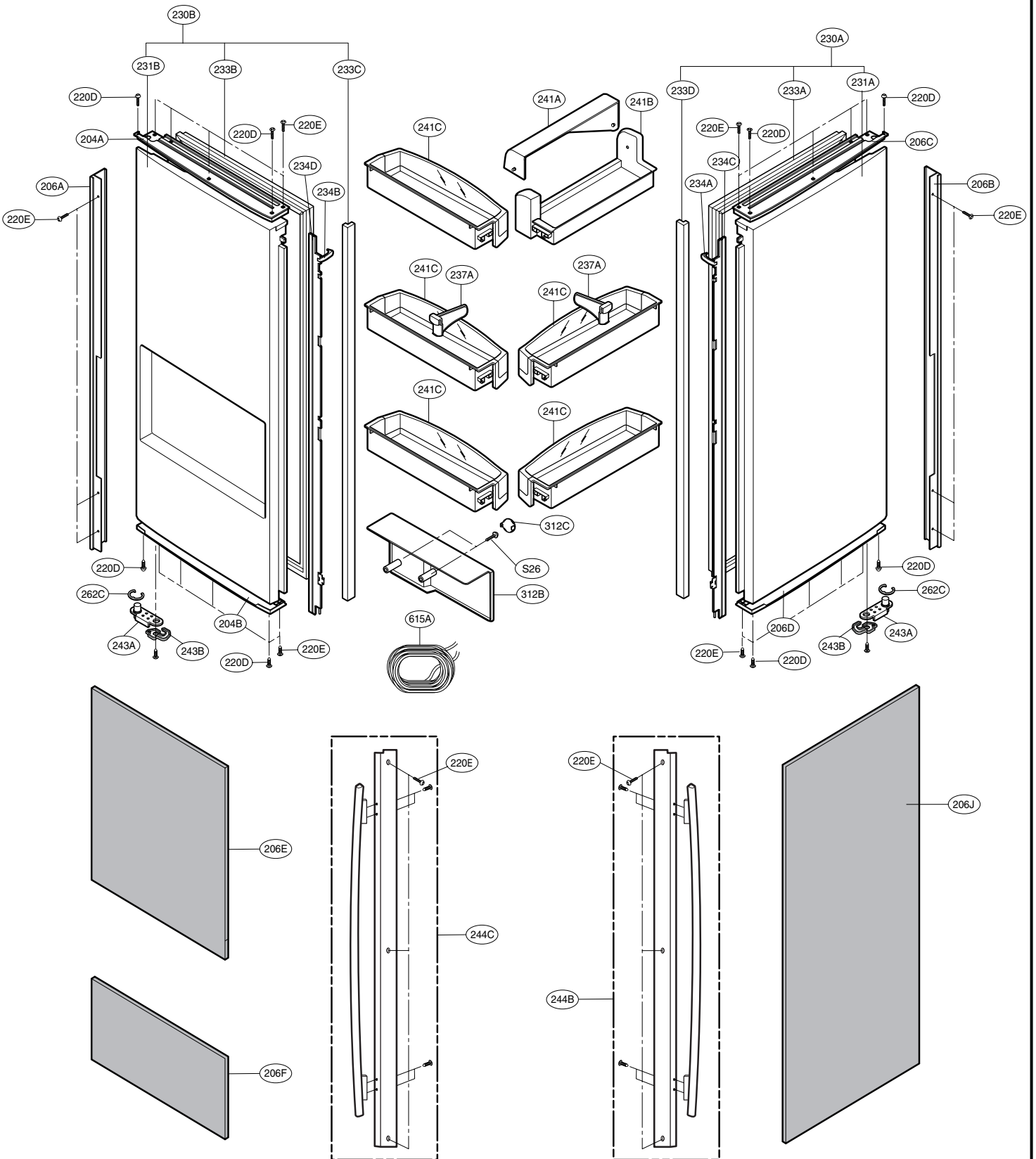
DOOR PARTS

L/No.	77729	77719	Description 嘜
204A	MBL38083902	MBL38083902	Cap,Decor Refrigerator
204B	5079JA2193F	5079JA2193F	Cap Assembly,Decor Refrigerator
206A	3806JA1196C	3806JA1196C	Decor,Door
206B	3806JA1196D	3806JA1196D	Decor,Door
206C	MBL38083901	MBL38083901	Cap,Decor Refrigerator
206D	5079JA2193E	5079JA2193E	Cap Assembly,Decor Refrigerator
206E	4890JA1142M	4890JA1142M	Decor,Glass Door
206F	4890JA1143K	4890JA1143K	Decor,Glass Door
206J	4890JA1100W	4890JA1100W	Decor,Glass Door
220D	1TRL0302818	1TRL0302818	Screw,Tapping
220E	1SZZJA3009L	1SZZJA3009L	Screw,Customized
230A	ADC33795901	ADC33795901	Door Assembly,Refrigerator(Right)
230B	3581JA8808X	3581JA8808X	Door Assembly,Refrigerator(Left)
231A	ADD37795201	ADD37795201	Door Foam Assembly,Refrigerator
231B	ADD33795601	ADD33795601	Door Foam Assembly,Refrigerator
233A	4987JJ2002C	4987JJ2002C	Gasket Assembly,Door
233B	4987JJ2002D	4987JJ2002D	Gasket Assembly,Door
233C	3551JJ2030B	3551JJ2030B	Cover Assembly,Front
233D	3551JJ2030A	3551JJ2030A	Cover Assembly,Front
234A	4430JJ2004A	4430JJ2004A	Cam,Shaft
234B	4430JJ2004B	4430JJ2004B	Cam,Shaft
234C	4931JJ2002C	4931JJ2002C	Holder Assembly,Gasket
234D	4931JJ2002D	4931JJ2002D	Holder Assembly,Gasket
237A	4974JA2055A	4974JA2055A	Guide,Pitcher
241A	5004JL1006B	5004JL1006B	Basket,Window
241B	5004JJ1057A	5004JJ1057A	Basket,Door
241C	5005JJ2014A	5005JJ2014A	Basket Assembly,Door
243A	4620JA3027C	4620JA3027C	Stopper,Door
243B	4620JJ2009A	4620JJ2009A	Stopper,Door
243C	J326-00012A	J326-00012A	Bush
244C	AED33696802	AED33696802	Handle Assembly
244B	AED33711801	AED33711801	Handle Assembly,Decor
262C	4350JA3005B	4350JA3005B	Ring
312B	3550JL1014A	3550JL1014A	Cover,Front
312C	5006JA3016C	5006JA3016C	Cap,Duct
615A	4838JA2002A	4838JA2002A	Tank,Water

CAUTION: Use the part number to order part, not the position number.

DOOR PARTS (77719, 77729)

CAUTION: Use the part number to order part, not the position number.



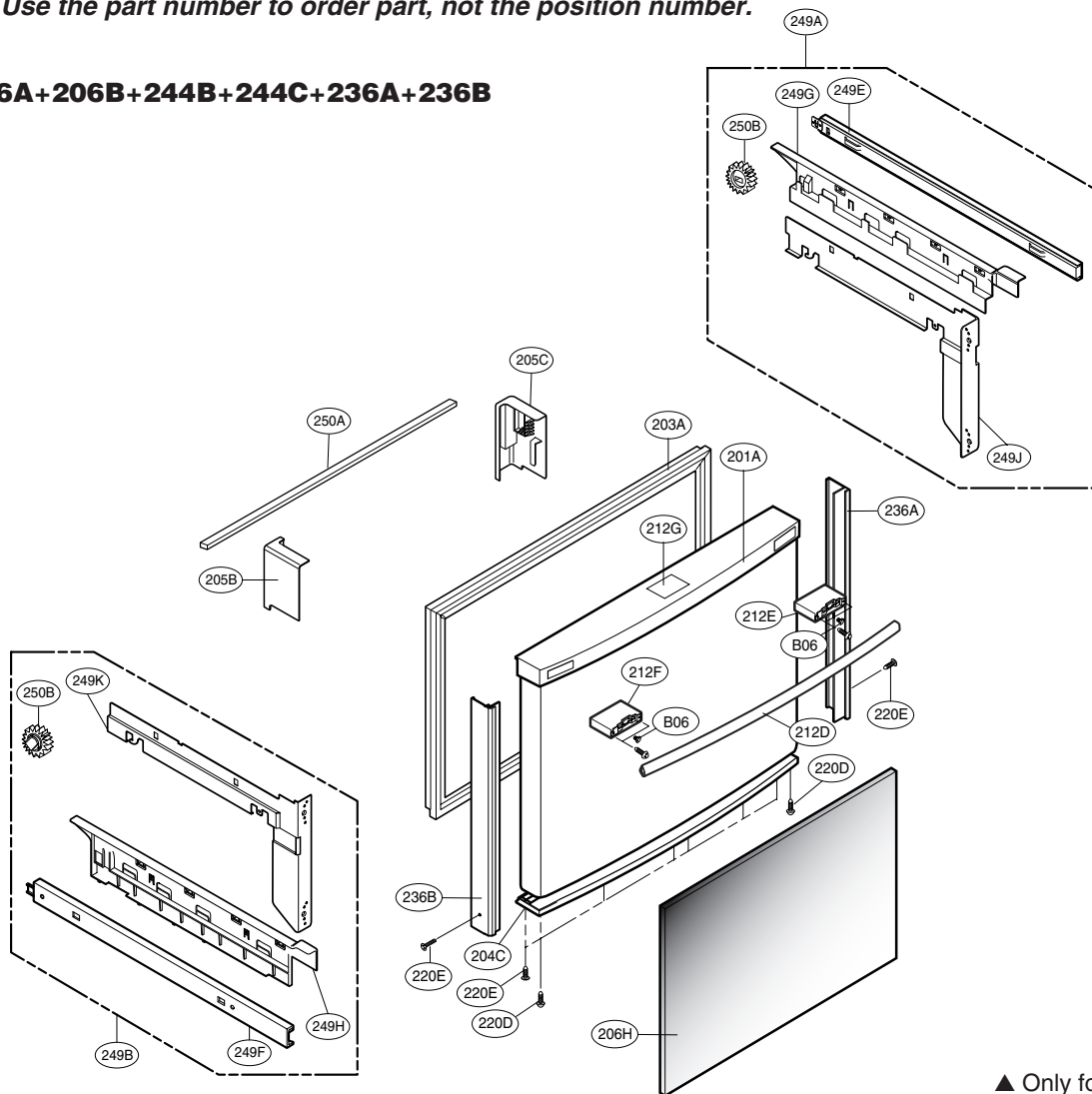
$$276A = 206A + 206B + 244B + 244C + 236A + 236B$$

▲ Only for the service

DOOR PARTS (77719, 77729)

CAUTION: Use the part number to order part, not the position number.

276A=206A+206B+244B+244C+236A+236B



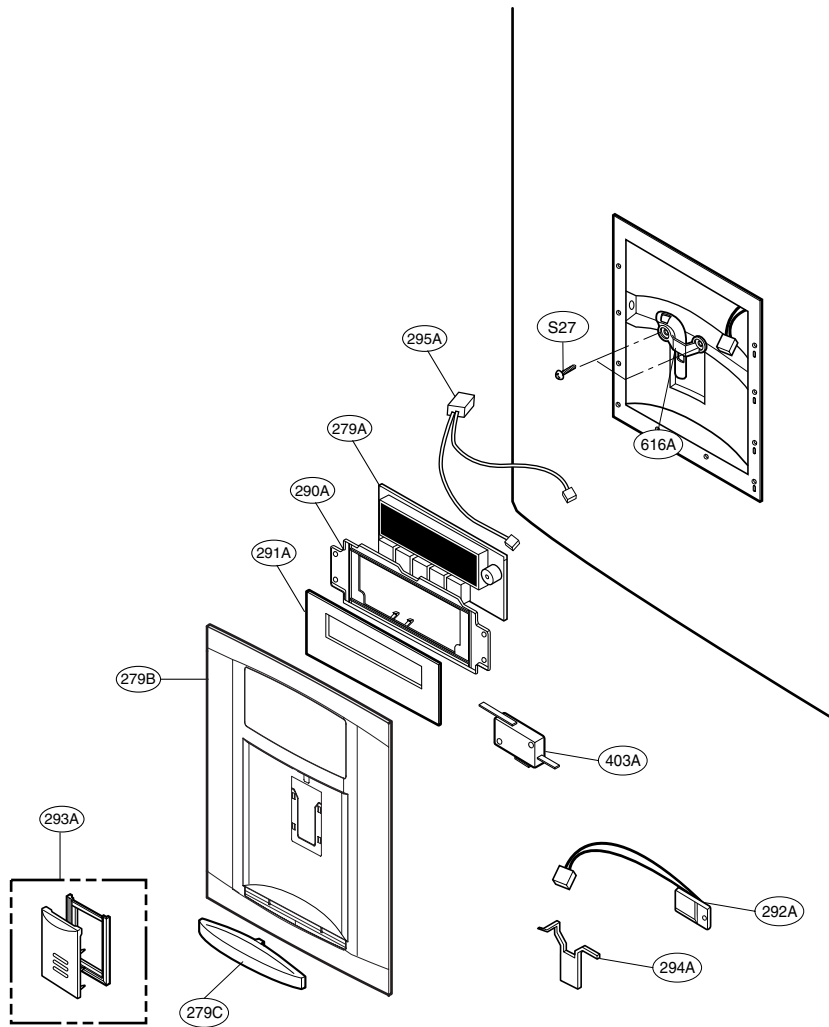
▲ Only for the service

L/No.	77729	77719	Description
200A	3581JA8817T	3581JA8817T	Door Assembly, Freezer
201A	ADD33795101	ADD33795101	Door Foam Assembly,Freezer
203A	MDS38201402	MDS38201402	Gasket,Door
204C	5079JA2194C	5079JA2194C	Cap Assembly,Decor Freezer
205B	5006JJ2013A	5006JJ2013A	Cap,Cover
205C	5006JJ2013B	5006JJ2013B	Cap,Cover
206H	4890JA1145L	4890JA1145L	Decor,Glass Door
212D	AED33696801	AED33696801	Handle Assembly
212E	AEJ33686201	AEJ33686201	Holder Assembly,Handle
212F	AEJ33686202	AEJ33686202	Holder Assembly,Handle
212G	3846JD1019A	3846JD1019A	Name Plate
220D	1SZZJA3009L	1SZZJA3009L	Screw,Customized
220E	1TCL0302818	1TCL0302818	Screw,Tapping
236A	3806JA1197C	3806JA1197C	Decor,Door
236B	3806JA1197D	3806JA1197D	Decor,Door
249A	ACJ33058104	ACJ33058104	Connector Assembly
249B	ACJ33058103	ACJ33058103	Connector Assembly
249E	5218JA1009E	5218JA1009E	Rail,Slide
249F	5218JA1009F	5218JA1009F	Rail,Slide
249G	3550JA1456A	3550JA1456A	Cover,Connector
249H	3550JA1456B	3550JA1456B	Cover,Connector
249J	MCD38084202	MCD38084202	Connector,Rail
249K	MCD38084201	MCD38084201	Connector,Rail
250A	MAK39123901	MAK39123901	Bar
250B	4403JA3005A	4403JA3005A	Connector Assembly
276A	ACW35090301	ACW35090301	Decor Assembly,Door
B06	FAB30025702	FAB30025702	Screw,Customized

CAUTION: Use the part number to order part, not the position number.

DISPENSER PARTS (77719, 77729)

CAUTION: Use the part number to order part, not the position number.

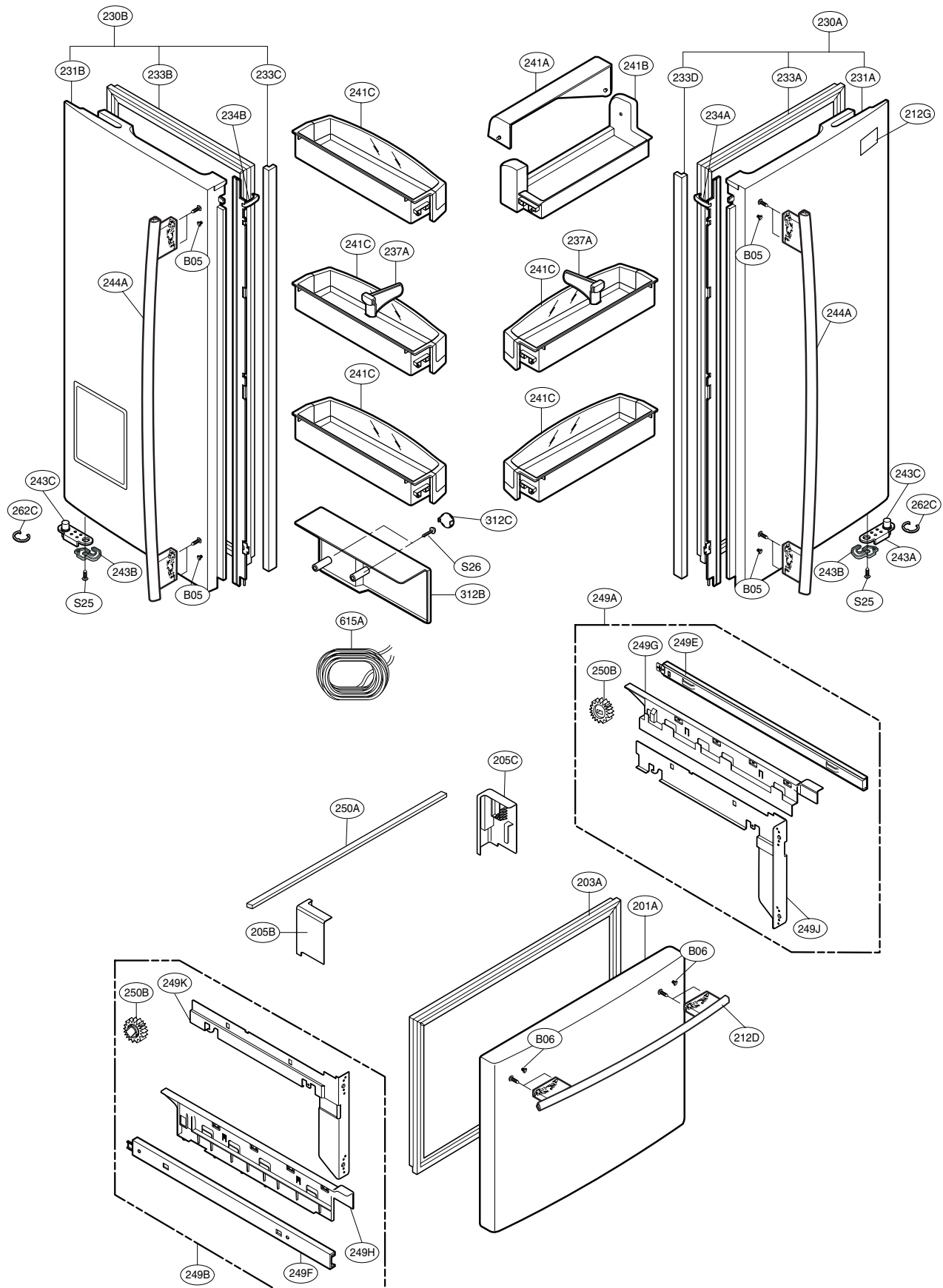


L/No.	77729	77719	Description
279A	EBR36499201	EBR36499201	PCB Assembly, Display
279B	MCK38084101	MCK38084101	Cover, Dispenser
279C	MCR38202401	MCR38202401	Decor, Drain
290A	3550JA2280A	3550JA2280A	Cover, PCB
291A	4890JD1112B	4890JD1112B	Decor, Glass Door
292A	6871JB2074B	6871JB2074B	PCB Assembly, Sub
293A	5021JA3020C	5021JA3020C	Button Assembly
294A	4510JA2028A	4510JA2028A	Lever, Dispenser
295A	6877JB2181A	6877JB2181A	Drawing, Assembly
403A	6600JB3001B	6600JB3001B	Switch, Micro
616A	5210JA2012E	5210JA2012E	Tube, Inject
S27	4J00415D	4J00415D	Screw, Customized

CAUTION: Use the part number to order part, not the position number.

DOOR PARTS (77712, 77713)

CAUTION: Use the part number to order part, not the position number.



▲ Only for the service

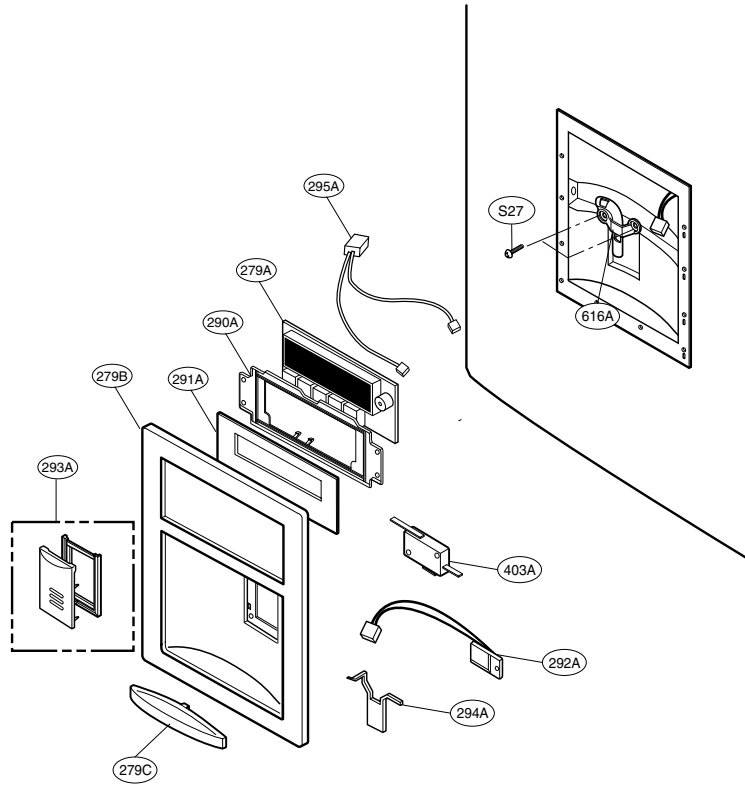
DOOR PARTS

L/No.	77712	77713	Description 漢
200A	3581JA8817W	3581JA8817V	Door Assembly,Freezer
201A	ADD34126202	ADD34126201	Door Foam Assembly,Freezer
203A	MDS38201401	MDS38201401	Gasket,Door
205B	5006JJ2013A	5006JJ2013A	Cap,Cover
205C	5006JJ2013B	5006JJ2013B	Cap,Cover
212D	3651JA2279K	3651JA2279J	Handle Assembly,Freezer
212G	3846JD1019A	3846JD1019A	Name Plate
230A	3581JA8807H	3581JA8807M	Door Assembly,Refrigerator(Right)
230B	3581JJ8051Q	3581JA8808Z	Door Assembly,Refrigerator(Left)
231A	5433JJ0064F	5433JJ0064Q	Door Foam Assembly,Refrigerator
231B	5433JA8559D	5433JA8559R	Door Foam Assembly,Refrigerator
233A	4987JJ2002A	4987JJ2002A	Gasket Assembly,Door
233B	4987JJ2002B	4987JJ2002B	Gasket Assembly,Door
233C	3551JJ2030B	3551JJ2030B	Cover Assembly,Front
233D	3551JJ2030A	3551JJ2030A	Cover Assembly,Front
234A	4430JJ2004A	4430JJ2004A	Cam,Shaft
234B	4430JJ2004B	4430JJ2004B	Cam,Shaft
234C	4931JJ2002A	4931JJ2002A	Holder Assembly,Gasket
234D	4931JJ2002B	4931JJ2002B	Holder Assembly,Gasket
237A	4974JA2055A	4974JA2055A	Guide,Pitcher
241A	5004JL1006B	5004JL1006B	Basket,Window
241B	5004JJ1057A	5004JJ1057A	Basket,Door
241C	5005JJ2014A	5005JJ2014A	Basket Assembly,Door
243A	4620JJ3006A	4620JJ3006D	Stopper,Door
243A	4620JJ3006A	4620JJ3006D	Stopper,Door
243B	4620JJ2009A	4620JJ2009A	Stopper,Door
243B	4620JJ2009A	4620JJ2009A	Stopper,Door
243C	J326-00012A	J326-00012A	Bush
243C	J326-00012A	J326-00012A	Bush
244A	3651JA2278K	3651JA2278J	Handle Assembly,Refrigerator
249A	ACJ33058104	ACJ33058104	Connector Assembly
249B	ACJ33058103	ACJ33058103	Connector Assembly
249E	5218JA1009E	5218JA1009E	Rail,Slide
249F	5218JA1009F	5218JA1009F	Rail,Slide
249G	3550JA1456A	3550JA1456A	Cover,Connector
249H	3550JA1456B	3550JA1456B	Cover,Connector
249J	MCD38084202	MCD38084202	Connector,Rail
249K	MCD38084201	MCD38084201	Connector,Rail
250A	MAK39123901	MAK39123901	Bar
250B	4403JA3005A	4403JA3005A	Connector Assembly
250B	4403JA3005A	4403JA3005A	Connector Assembly
262C	4350JA3005B	4350JA3005B	Ring
312B	3550JL1014A	3550JL1014A	Cover,Front
312C	5006JA3016C	5006JA3016C	Cap,Duct
615A	4838JA2002A	4838JA2002A	Tank,Water

CAUTION: Use the part number to order part, not the position number.

DISPENSER PARTS (77712, 77713)

CAUTION: Use the part number to order part, not the position number.



L/No.	77712	77713	Description
279A	EBR36499201	EBR36499201	PCB Assembly,Display
279B	3550JA1492A	3550JA1492B	Cover,Dispenser
279C	3806JJ2053A	3806JJ2053E	Decor,Drain
290A	3550JA2280A	3550JA2280A	Cover,PCB
291A	4890JD1112B	4890JD1112B	Decor,Glass Door
292A	6871JB2074B	6871JB2074B	PCB Assembly,Sub
293A	5021JA3020A	5021JA3020B	Button Assembly
294A	4510JA2028A	4510JA2028A	Lever,Dispenser
295A	6877JB2181A	6877JB2181A	Drawing,Assembly
403A	6600JB3001C	6600JB3001C	Switch,Micro
616A	5210JA2012A	5210JA2012F	Tube,Inject
S27	4J00415D	4J00415D	Screw,Customized

CAUTION: Use the part number to order part, not the position number.



*'You Can Count on me . . .
to Work Safely.'*