

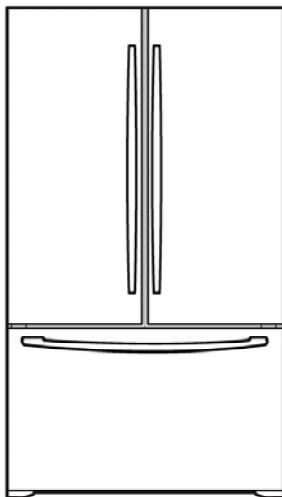


<http://biz.lgservice.com>

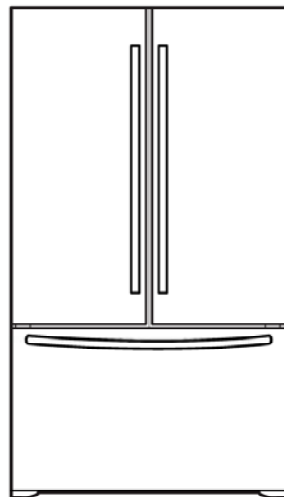
REFRIGERATOR

SERVICE MANUAL

CAUTION
BEFORE SERVICING THE UNIT,
READ THE SAFETY PRECAUTIONS IN THIS MANUAL.



MODEL: LRFC25750WW



**LRFC25750TT
LRFC25750SB
LRFC25750SW**

**COLOR: WESTERN BLACK
TITANIUM
SUPER WHITE**

CONTENTS

SAFETY PRECAUTIONS	2
SPECIFICATIONS	3
PARTS IDENTIFICATION	4
DISASSEMBLY	5-7
DOOR.....	5-6
DOOR ALIGNMENT.....	6
FAN AND FAN MOTOR.....	7
DEFROST CONTROL ASSEMBLY.....	7
LAMP.....	7
CONTROL BOX-REFRIGERATOR.....	7
MULTI DUCT	7
ADJUSTMENT	8-9
COMPRESSOR.....	8
PTC-STARTER.....	8
OLP (OVERLOAD PROTECTOR).....	9
TO REMOVE THE COVER PTC.....	9
CIRCUIT DIAGRAM	10
TROUBLESHOOTING	11-16
COMPRESSOR AND ELECTRIC COMPONENTS.....	11
PTC AND OLP.....	12
OTHER ELECTRICAL COMPONENTS	13
SERVICE DIAGNOSIS CHART.....	14
REFRIGERATION CYCLE	15-16
OPERATION PRINCIPLE & REPAIR METHOD OF ICEMAKER	17-20
DESCRIPTION OF FUNCTION & CIRCUIT OF MICOM	21-39
EXPLODED VIEW & REPLACEMENT PARTS LIST	40-

SAFETY PRECAUTIONS

Please read the following instructions before servicing your refrigerator.

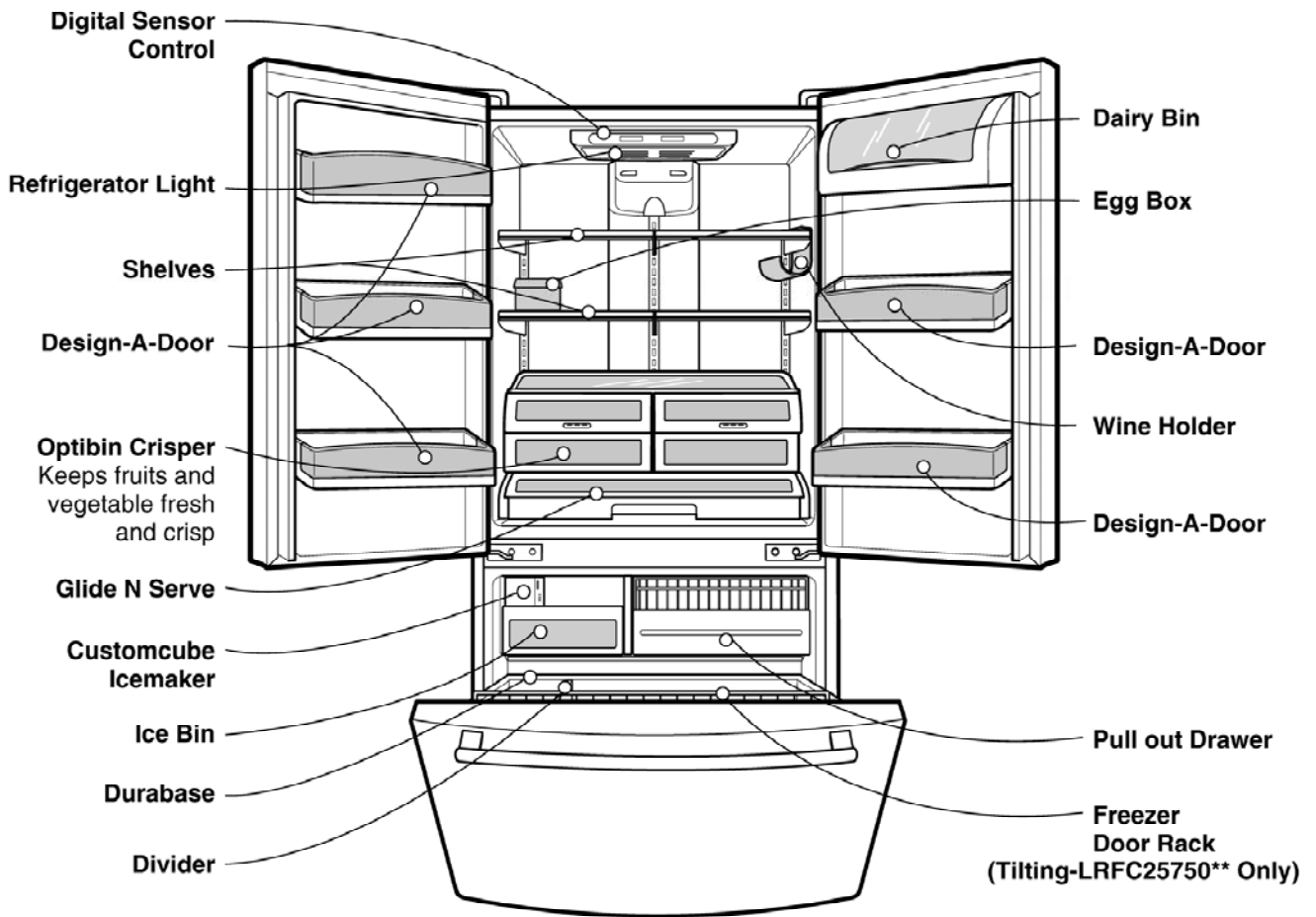
1. Check the refrigerator for current leakage.
2. To prevent electric shock, unplug before servicing.
3. Always check line voltage and amperage.
4. Use standard electrical components.
5. Don't touch metal products in the freezer with wet hands. This may cause frostbite.
6. Prevent water from spilling onto electric elements or the machine parts.
7. Before tilting the refrigerator, remove all materials from on or in the refrigerator.
8. When servicing the evaporator, wear gloves to prevent injuries from the sharp evaporator fins.
9. Service on the refrigerator should be performed by a qualified technician. Sealed system repair must be performed by a CFC certified technician.

1. SPECIFICATIONS

21 cu. ft. / 25 cu. ft.

ITEMS	SPECIFICATIONS	ITEMS	SPECIFICATIONS	
DOOR DESIGN	Side Rounded	VEGETABLE TRAY	Opaque Drawer Type	
DIMENSIONS (inches)	35 3/4 x 30 x 69 3/4 (WxDxH) 21cu.ft	COMPRESSOR	PTC Starting Type	
	35 3/4 x 34 1/4 x 69 3/4 (WxDxH) 25cu.ft	EVAPORATOR	Fin Tube Type	
NET WEIGHT (pounds)	298 (21cu.ft)	CONDENSER	Wire Condenser	
	320 (25cu.ft)	REFRIGERANT	R-134a (115 g)	
COOLING SYSTEM	Fan Cooling	LUBRICATING OIL	ISO10 (280 ml)	
TEMPERATURE CONTROL	Micom Control	DEFROSTING DEVICE	SHEATH HEATER	
DEFROSTING SYSTEM	Full Automatic	LAMP	REFRIGERATOR	60 W (2EA)
	Heater Defrost		FREEZER	60 W (1EA)
DOOR FINISH	Embossed Metal, VCM, Stainless			
HANDLE TYPE	Bar			
INNER CASE	ABS Resin			
INSULATION	Polyurethane Foam			

2. PARTS IDENTIFICATION



3. DISASSEMBLY

3-1 DOOR

● Refrigerator Door

1. Remove the top hinge cover and disconnect the wire harness.
2. Remove the earth screw.
3. Rotate the lever hinge and lift off hinge.
4. Lift off the refrigerator door.
5. Replace in the reverse order.

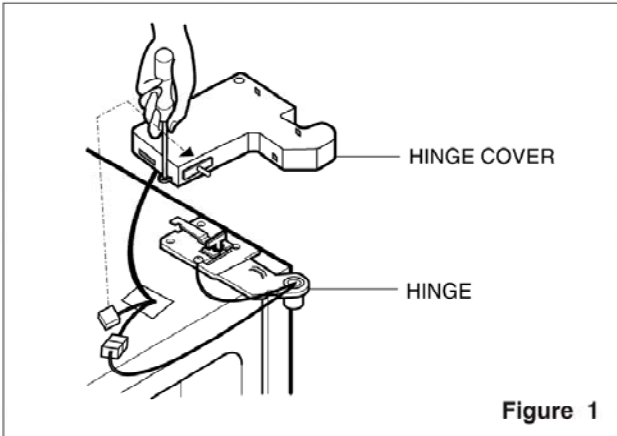


Figure 1

● Door Gasket Removal

1. Remove door frame cover

Starting at top of cover and working down, snap cover out and away from door.

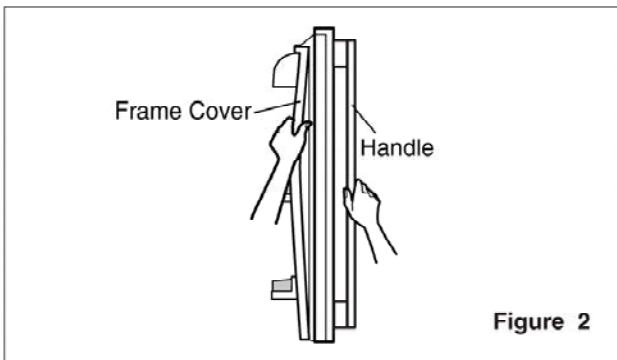


Figure 2

2. Remove gasket bracket clips

There are two clips on each door. Start bracket removal near one of the middle clips.

- 1) Pull gasket back to expose gasket bracket clip and door frame.
- 2) Insert a flat tip screwdriver into seam between gasket bracket and door frame and pry back until clips snaps out.
- 3) Continue prying back along seam until all clips snap out.

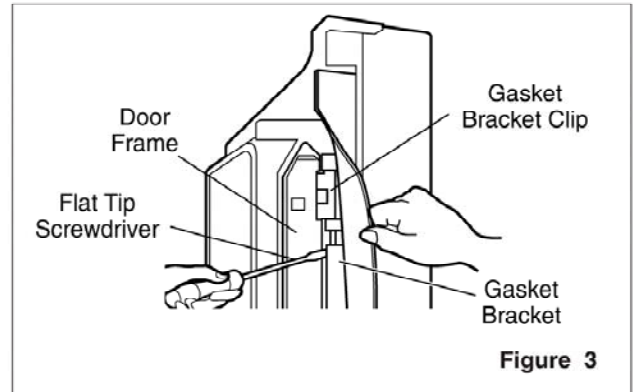


Figure 3

3. Remove gasket

Pull gasket free from gasket channel on the three remaining sides of door.

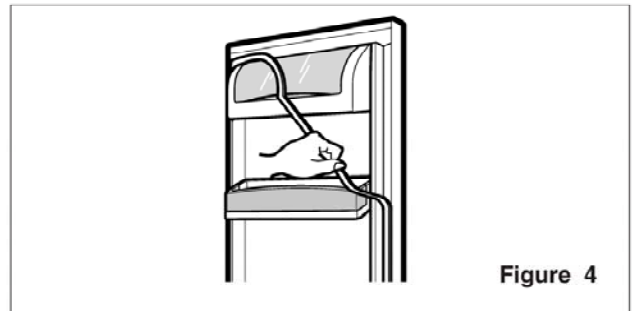


Figure 4

● Door Gasket Replacement

1. Insert gasket bracket clips

- 1) Insert gasket bracket edge beneath door frame edge.
- 2) Turn upper gasket bracket spring so that both spring ends are in the door channel.
- 3) Push in clip until you hear it snap securely into place.

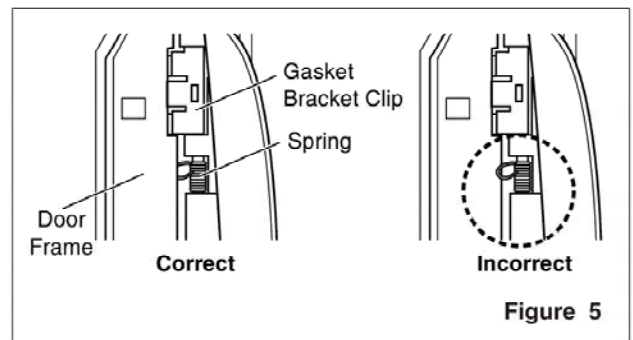


Figure 5

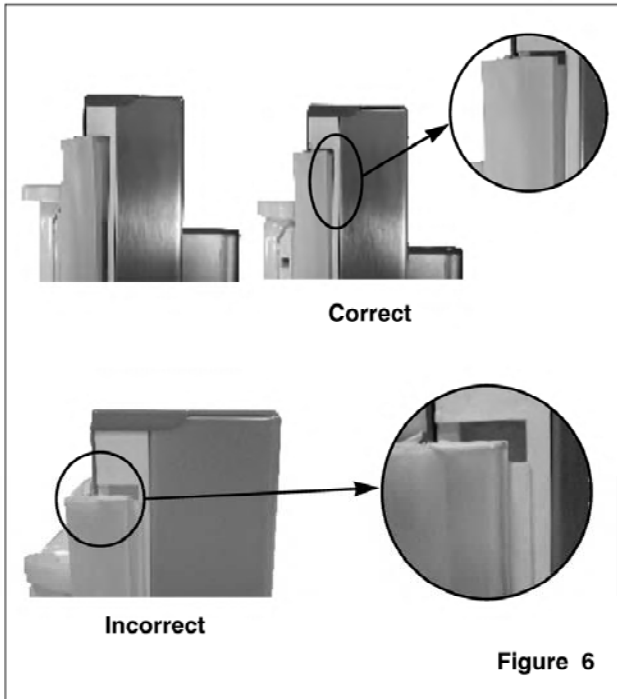
- 4) Push in remaining two clips until you hear each snap securely into place.

Note: Make sure that no part of gasket bracket edge protrudes from beneath door frame edge.

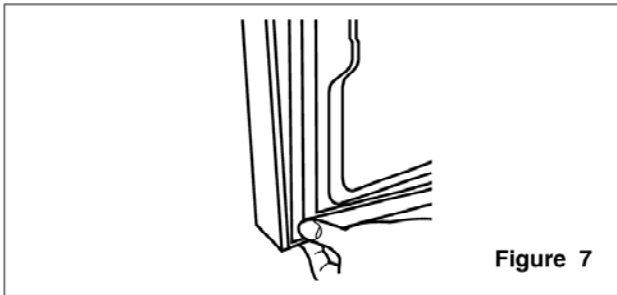
2. Insert gasket into channel

1) Snap gasket assembly into the door bracket.

<Inserting the Gasket Assembly into the Bracket Door>

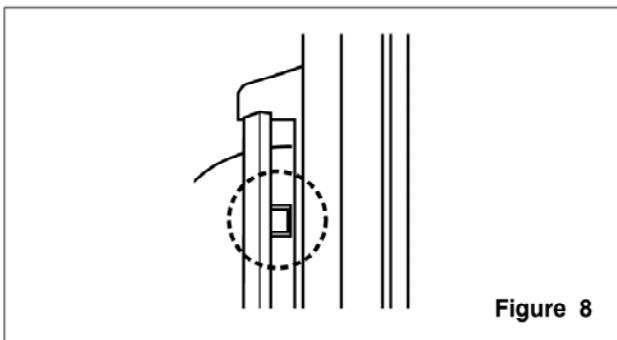


2) Press gasket into channels on the three remaining sides of door.



3. Replace door frame cover

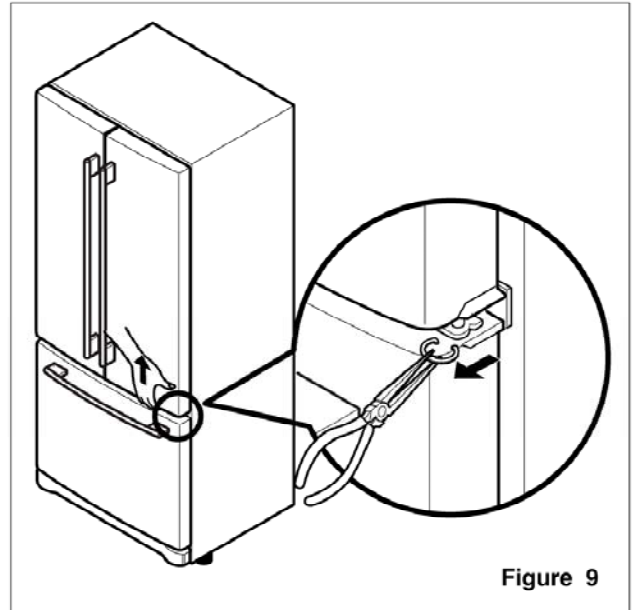
Starting at top of cover and working down, snap cover back into door.



3-2 DOOR ALIGNMENT

If the space between your doors is uneven, follow the instructions below to align the doors:

1. With one hand, lift up the door you want to raise at middle hinge.
2. With other hand, use pliers to insert snap ring as shown.
3. Insert additional snap rings until the doors are aligned.
(Three snap rings are provided with unit.)



3-3 FAN AND FAN MOTOR

1. Remove the freezer shelf. (If your refrigerator has an icemaker, remove the icemaker first)
2. Remove the plastic guide for slides on left side by unscrewing phillips head screws.
3. Remove the grille by removing one screw and pulling the grille forward.
4. Remove the Fan Motor assembly by loosening 2 screws and disassembling the shroud.
5. Pull out the fan and separate the Fan Motor and Bracket.

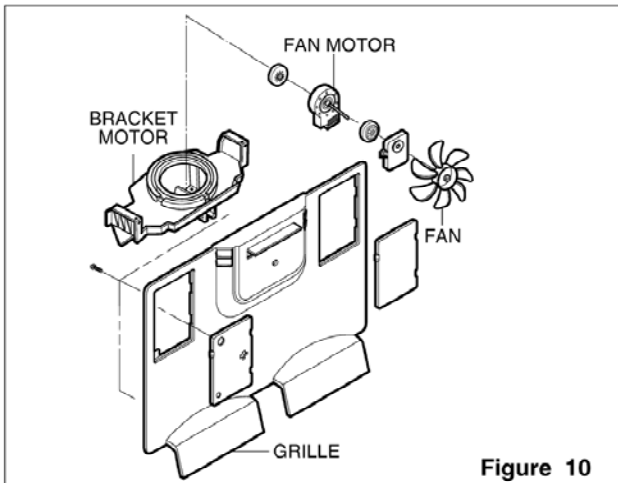


Figure 10

3-4 DEFROST CONTROL ASSEMBLY

Defrost Control assembly consists of Defrost Sensor and FUSE-M.

The Defrost Sensor works to defrost automatically. It is attached to the metal side of the Evaporator and senses its temperature. At 72°C, it turns the Defrost Heater off.

Fuse-M is a safety device for preventing over-heating of the Heater when defrosting.

1. Pull out the grille assembly. (Figure 11)
2. Separate the connector with the Defrost Control assembly and replace the Defrost Control assembly after cutting the Tie Wrap. (Figure 12)

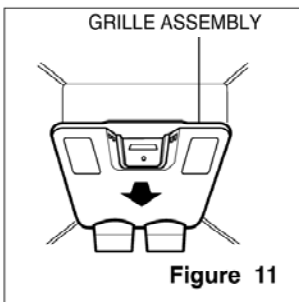


Figure 11

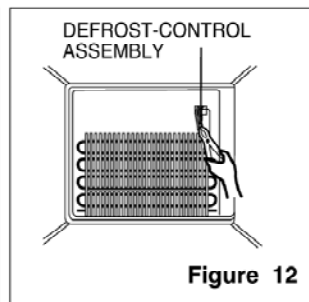


Figure 12

3-5 LAMP

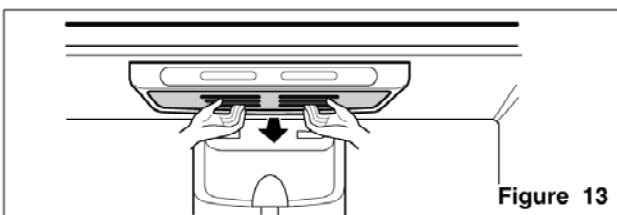


Figure 13

3-5-1 Refrigerator Compartment Lamp

1. Unplug the power cord from the outlet.
2. Remove refrigerator shelves.
3. Release the hooks on both ends of the lamp shield and pull the shield downward to remove it.
4. Turn the lamp counterclockwise.
5. Assembly is the reverse of disassembly. Replacement bulb must be the same specification as the original (Max. 60 W2EA).

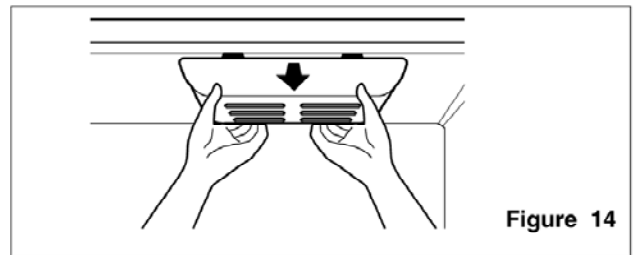


Figure 14

3-5-2 Freezer Compartment Lamp

1. Unplug refrigerator or disconnect power.
2. Reach behind light shield to remove bulb.
3. Replace bulb with a 60-watt appliance bulb.
4. Plug in refrigerator or reconnect power.

3-6 CONTROL BOX-REFRIGERATOR

1. First, remove all shelves in the refrigerator, then remove the Refrigerator control Box by loosening 2 screws.

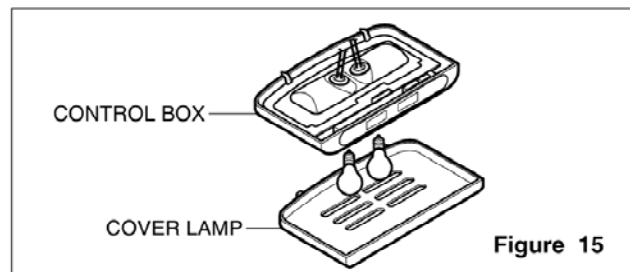


Figure 15

2. Remove the Refrigerator Control Box by pulling it downward.
3. Disconnect the lead wire on the right position and separate the lamp sockets.

3-7 MULTI DUCT

1. Remove the upper and lower Caps by using a flat screwdriver, and remove 2 screws. (Figure 16)
2. Disconnect the lead wire on the bottom position.

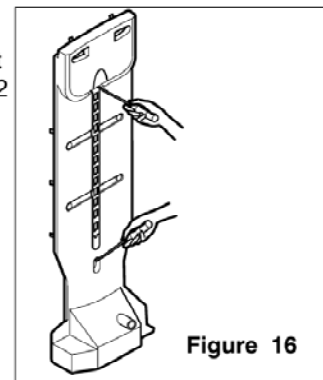


Figure 16

4. ADJUSTMENT

4-1 COMPRESSOR

4-1-1 Role

The compressor intakes low temperature and low pressure gas from the evaporator of the refrigerator and compresses this gas to high-temperature and high-pressure gas. It then delivers the gas to the condenser.

4-1-2 Composition

The compressor includes overload protection. The PTC starter and OLP (overload protector) are attached to the outside of the compressor. Since the compressor is manufactured to tolerances of 1 micron and is hermetically sealed in a dust and moisture-free environment, use extreme caution when repairing it.

4-1-3 Note for Usage

- (1) Be careful not to allow over-voltage and over-current.
- (2) If compressor is dropped or handled carelessly, poor operation and noise may result.
- (3) Use proper electric components appropriate to the Particular Compressor in your product.
- (4) Keep Compressor dry.
If the Compressor gets wet (in the rain or a damp environment) and rust forms in the pin of the Hermetic Terminal, poor operation and contact may result.
- (5) When replacing the Compressor, be careful that dust, humidity, and soldering flux don't contaminate the inside of the compressor. Contamination in the cylinder may cause noise, improper operation or even cause it to lock up.

4-2 PTC-STARTER

4-2-1 Composition of PTC-Starter

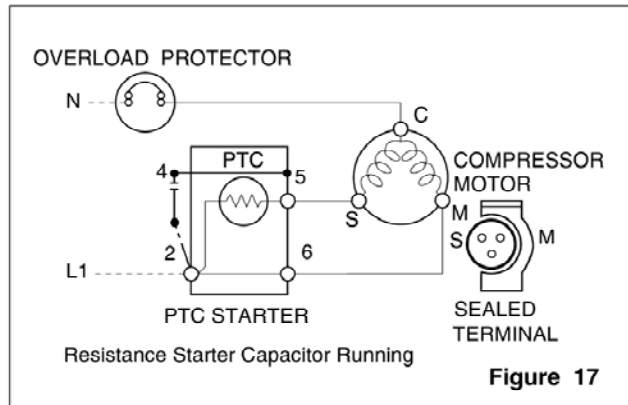
- (1) PTC (Positive Temperature Coefficient) is a no-contact semiconductor starting device which uses ceramic material consisting of BaTiO₃.
- (2) The higher the temperature is, the higher the resistance value. These features are used as a starting device for the Motor.

4-2-2 Role of PTC-Starter

- (1) The PTC is attached to the Sealed Compressor and is used for starting the Motor.
- (2) The compressor is a single-phase induction motor. During the starting operation, the PTC allows current flow to both the start winding and main winding.

4-2-3 PTC-Applied Circuit Diagram

● Starting Method for the Motor



4-2-4 Motor Restarting and PTC Cooling

- (1) It requires approximately 5 minutes for the pressure to equalize before the compressor can restart.
- (2) The PTC device generates heat during operation. Therefore, it must be allowed to cool before the compressor can restart.

4-2-5 Relation of PTC-Starter and OLP

- (1) If the compressor attempts to restart before the PTC device is cooled, the PTC device will allow current to flow only to the main winding.
- (2) The OLP will open because of the over current condition. This same process will continue (3 to 5 times) when the compressor attempts to restart until the PTC device has cooled. The correct OLP must be properly attached to prevent damage to the compressor.

Parts may appear physically identical but could have different electrical ratings. Replace parts by part number and model number. Using an incorrect part could result in damage to the product, fire, injury, or possibly death.

4-2-6 Note for Using the PTC-Starter

- (1) Be careful not to allow over-voltage and over-current.
- (2) Do not drop or handle carelessly.
- (3) Keep away from any liquid.
If liquid such as oil or water enters the PTC, PTC materials may fail due to breakdown of their insulating capabilities.
- (4) If the exterior of the PTC is damaged, the resistance value may be altered. This can cause damage to the compressor and result in a no-start or hard-to-start condition.
- (5) Always use the PTC designed for the compressor and make sure it is properly attached to the compressor. Parts may appear physically identical but could have different electrical ratings. Replace parts by part number and model number. Using an incorrect part could result in damage to the product, fire, injury, or possibly death.

4-3 OLP (OVERLOAD PROTECTOR)

4-3-1 Definition of OLP

- (1) OLP (OVERLOAD PROTECTOR) is attached to the Compressor and protects the Motor by opening the circuit to the Motor if the temperature rises and activating the bimetal spring in the OLP.
- (2) When high current flows to the Compressor motor, the Bimetal works by heating the heater inside the OLP, and the OLP protects the Motor by cutting off the current flowing to the Compressor Motor.

4-3-2 Role of the OLP

- (1) The OLP is attached to the Sealed Compressor used for the Refrigerator. It prevents the Motor Coil from being started in the Compressor.
- (2) For normal operation of the OLP, do not turn the Adjust Screw of the OLP in any way.

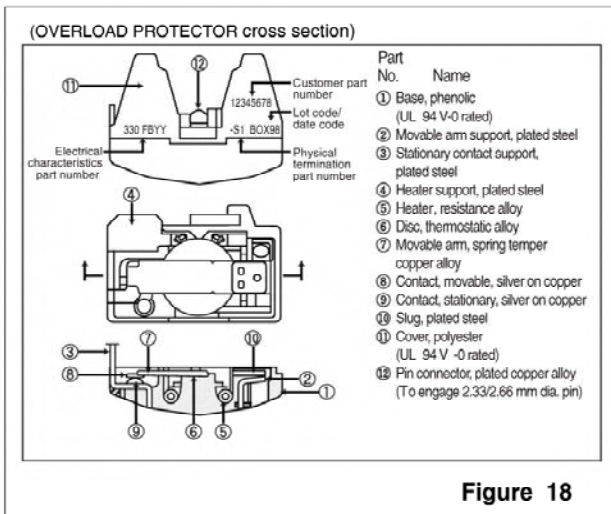
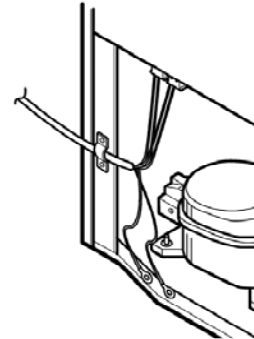
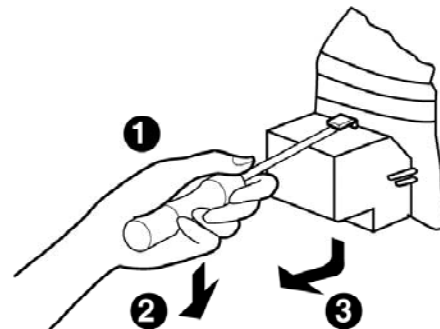


Figure 18

4-4 TO REMOVE THE COVER PTC



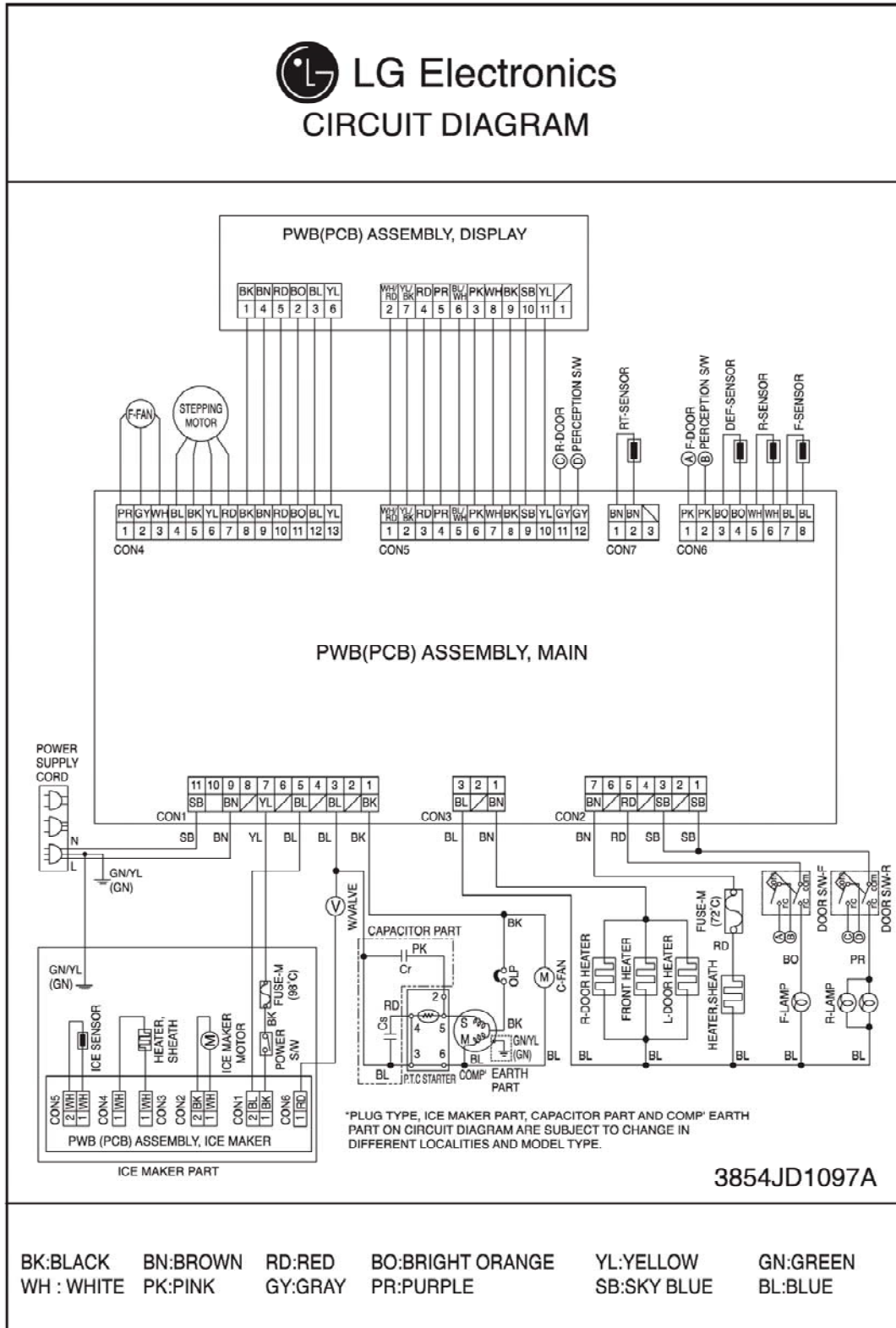
- (1) Remove the Cover Back M/C.
- (2) Disconnect two housing upper side of comp connected in.
- (3) Loosen two screws on comp base.



- (4) Use a L-shaped flap tool to pry off the cover.
- (5) Assembly in reverse order of disassembly.

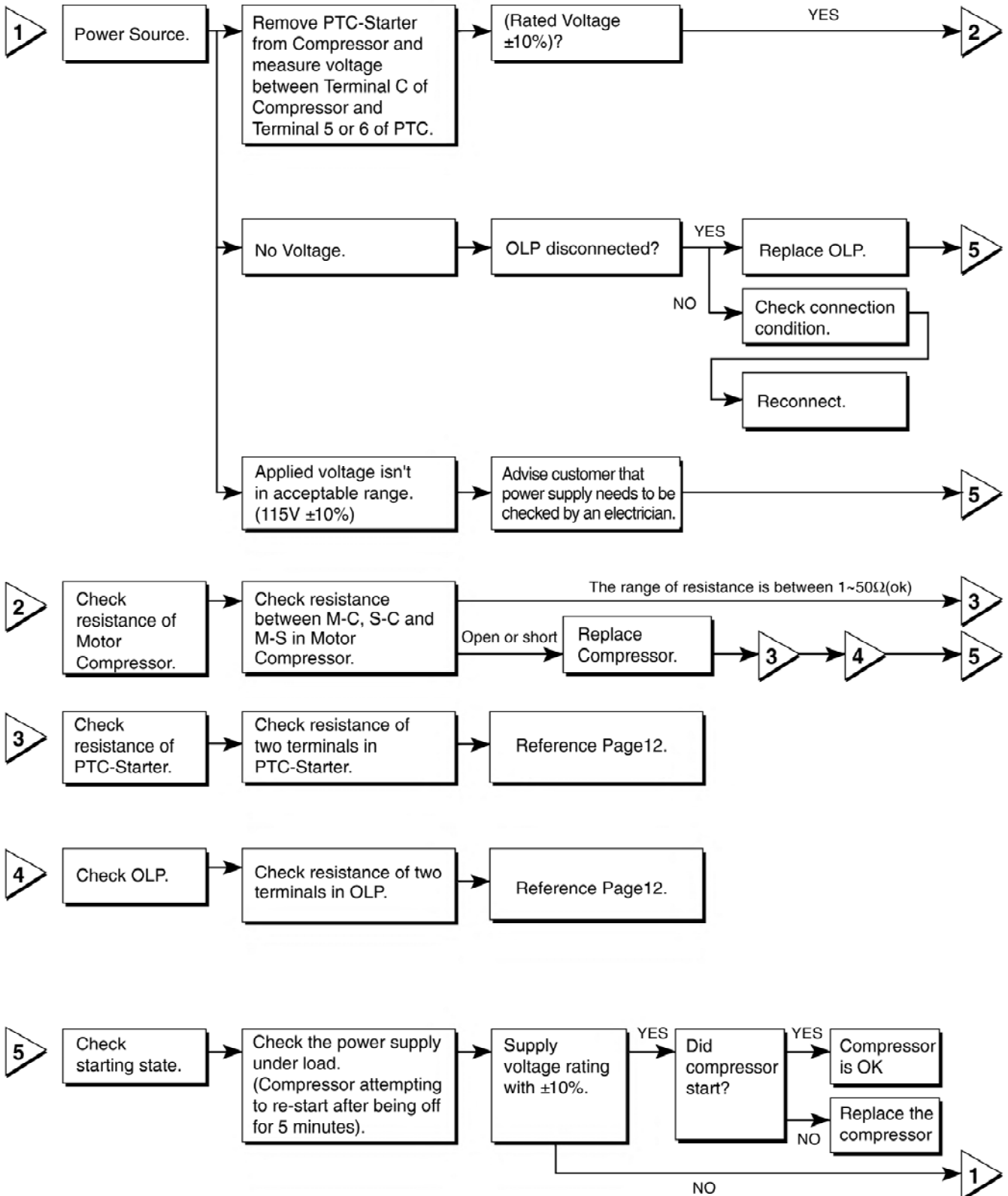
5. CIRCUIT DIAGRAM

BETTER MODEL



6. TROUBLESHOOTING

6-1 COMPRESSOR AND ELECTRIC COMPONENTS



6-2 PTC AND OLP

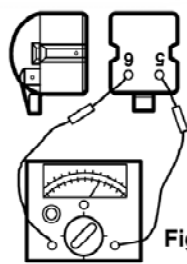
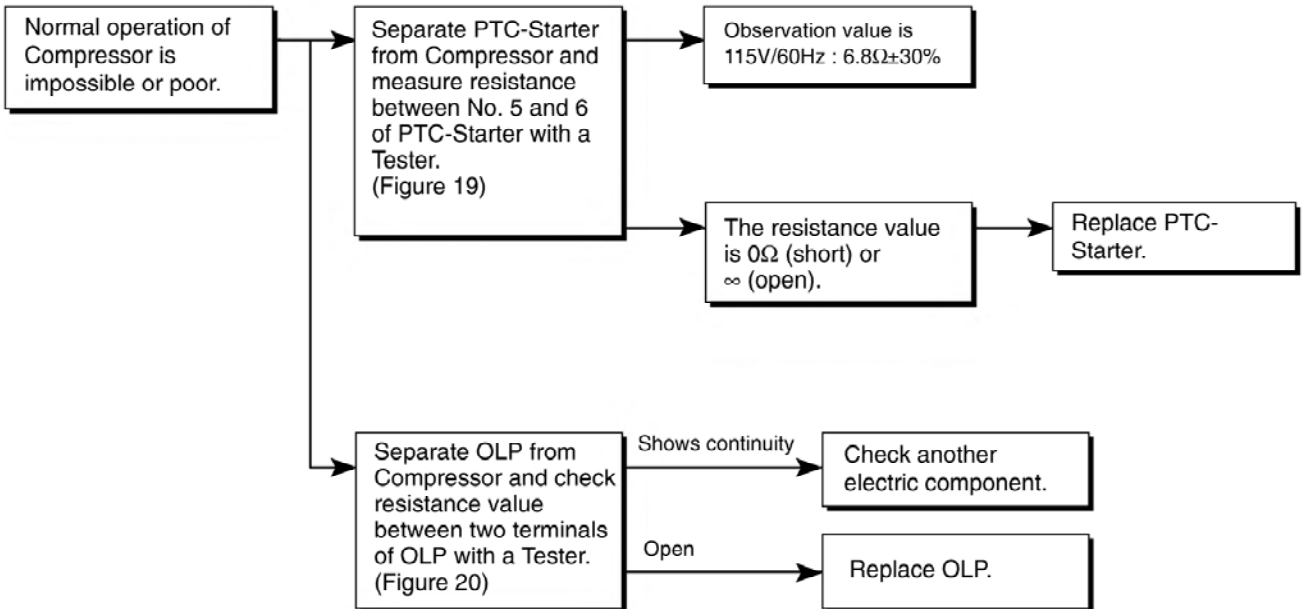


Figure 19

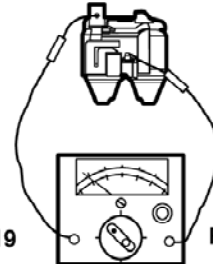
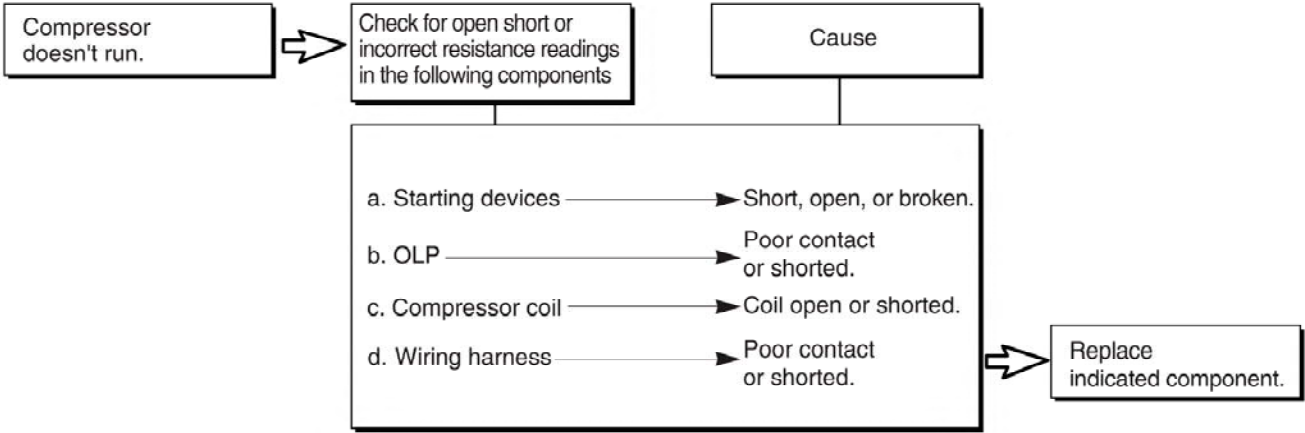


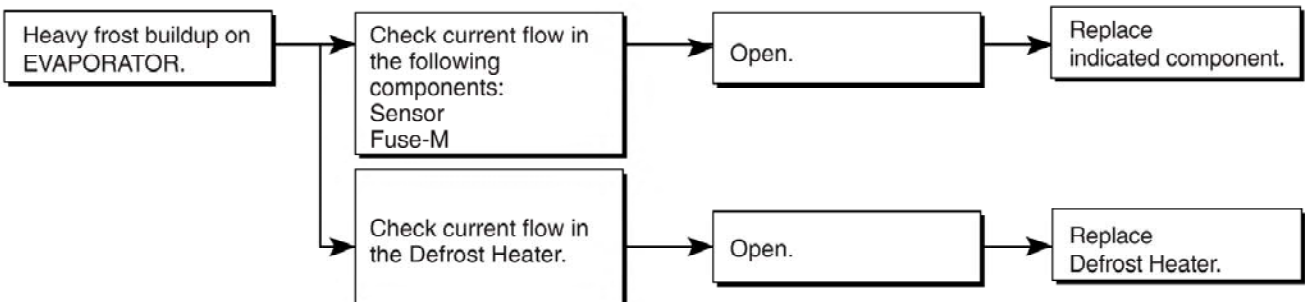
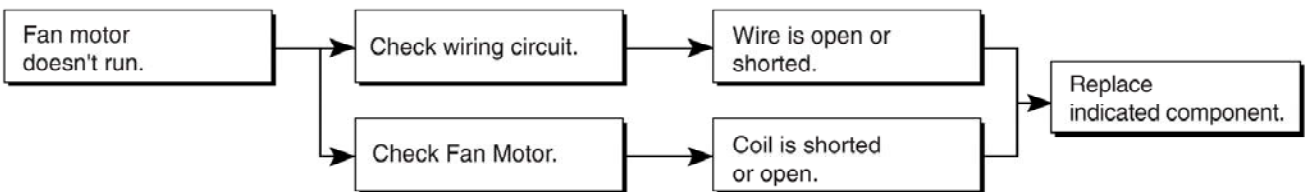
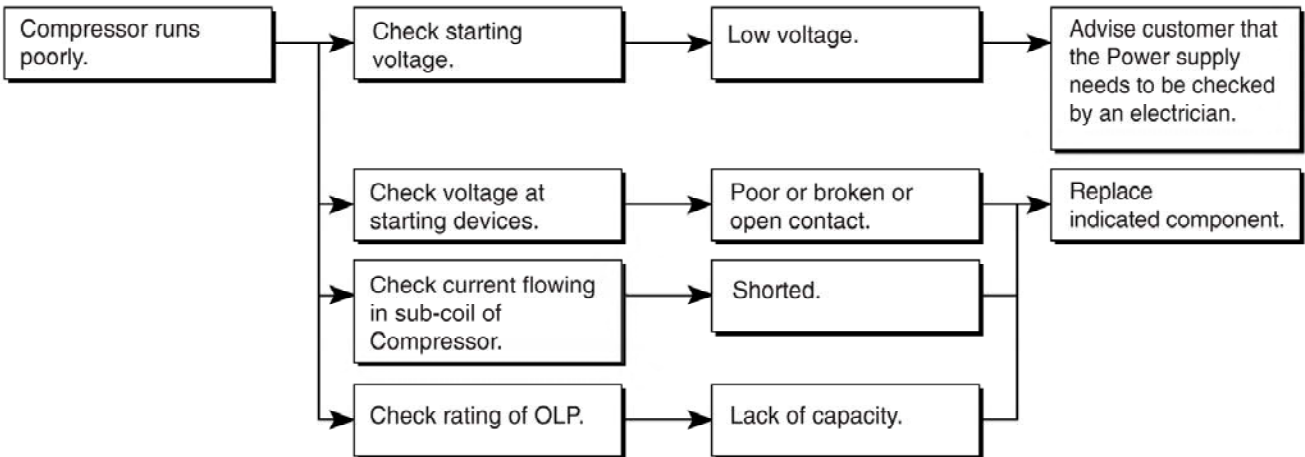
Figure 20

6-3 OTHER ELECTRICAL COMPONENTS

▼ Not cooling at all



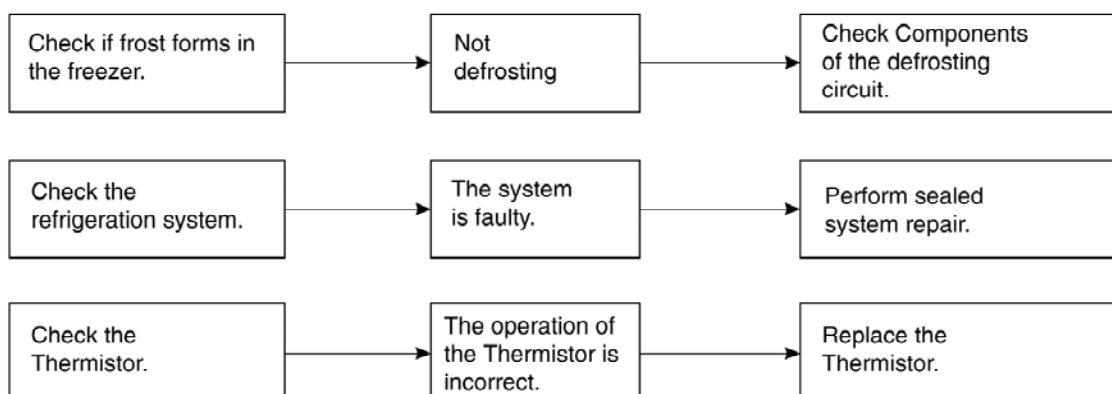
▼ Poor cooling performance



6-4 SERVICE DIAGNOSIS CHART

COMPLAINT	POINTS TO BE CHECKED	REMEDY
No Cooling.	<ul style="list-style-type: none"> • Is the power cord unplugged from the outlet? • Check if the power switch is set to OFF. • Check if the fuse of the power switch is shorted. • Measure the voltage of the power outlet. 	<ul style="list-style-type: none"> • Plug into the outlet. • Set the switch to ON. • Replace the fuse. • If the voltage is low, correct the wiring.
Cools poorly.	<ul style="list-style-type: none"> • Check if the unit is placed too close to the wall. • Check if the unit is placed too close to the stove, gas cooker, or in direct sunlight. • Is the ambient temperature too high or the room door closed? • Check if food put in the refrigerator is hot. • Did you open the door of the unit too often or check if the door is sealed properly? • Check if the Control is set to Warm position. 	<ul style="list-style-type: none"> • Place the unit about 4 inches (10 cm) from the wall. • Place the unit away from these heat sources. • Lower the ambient temperature. • Put in foods after they have cooled down. • Don't open the door too often and close it firmly. • Set the control to Recommended position.
Food in the Refrigerator is frozen.	<ul style="list-style-type: none"> • Is food placed in the cooling air outlet? • Check if the control is set to colder position. • Is the ambient temperature below 5°C? 	<ul style="list-style-type: none"> • Place foods in the high-temperature section. (front part) • Set the control to Recommended position. • Set the control to Warm position.
Condensation or ice forms inside the unit.	<ul style="list-style-type: none"> • Is liquid food sealed? • Check if food put in the refrigerator is hot. • Did you open the door of the unit too often or check if the door is sealed properly? 	<ul style="list-style-type: none"> • Seal liquid foods with wrap. • Put in foods after they have cooled down. • Don't open the door too often and close it firmly.
Condensation forms in the Exterior Case.	<ul style="list-style-type: none"> • Check if the ambient temperature and humidity of the surrounding air are high. • Is there a gap in the door gasket? 	<ul style="list-style-type: none"> • Wipe moisture with a dry cloth. It will disappear in low temperature and humidity. • Fill up the gap.
There is abnormal noise.	<ul style="list-style-type: none"> • Is the unit positioned in a firm and even place? • Are any unnecessary objects placed in the back side of the unit? • Check if the Drip Tray is not firmly fixed. • Check if the cover of the compressor enclosure in the lower front side is taken out. 	<ul style="list-style-type: none"> • Adjust the Leveling Screw, and position the refrigerator in a firm place. • Remove the objects. • Fix the Drip Tray firmly in the original position. • Place the cover in its original position.
Door does not close well.	<ul style="list-style-type: none"> • Check if the door gasket is dirty with an item like juice. • Is the refrigerator level? • Is there too much food in the refrigerator? 	<ul style="list-style-type: none"> • Clean the door gasket. • Position in a firm place and level the Leveling Screw. • Make sure food stored in shelves does not prevent the door from closing.
Ice and foods smell unpleasant.	<ul style="list-style-type: none"> • Check if the inside of the unit is dirty. • Are foods with a strong odor unwrapped? • The unit smells of plastic. 	<ul style="list-style-type: none"> • Clean the inside of the unit. • Wrap foods that have a strong odor. • New products smell of plastic, but this will go away after 1-2 weeks.

● Other possible problems:

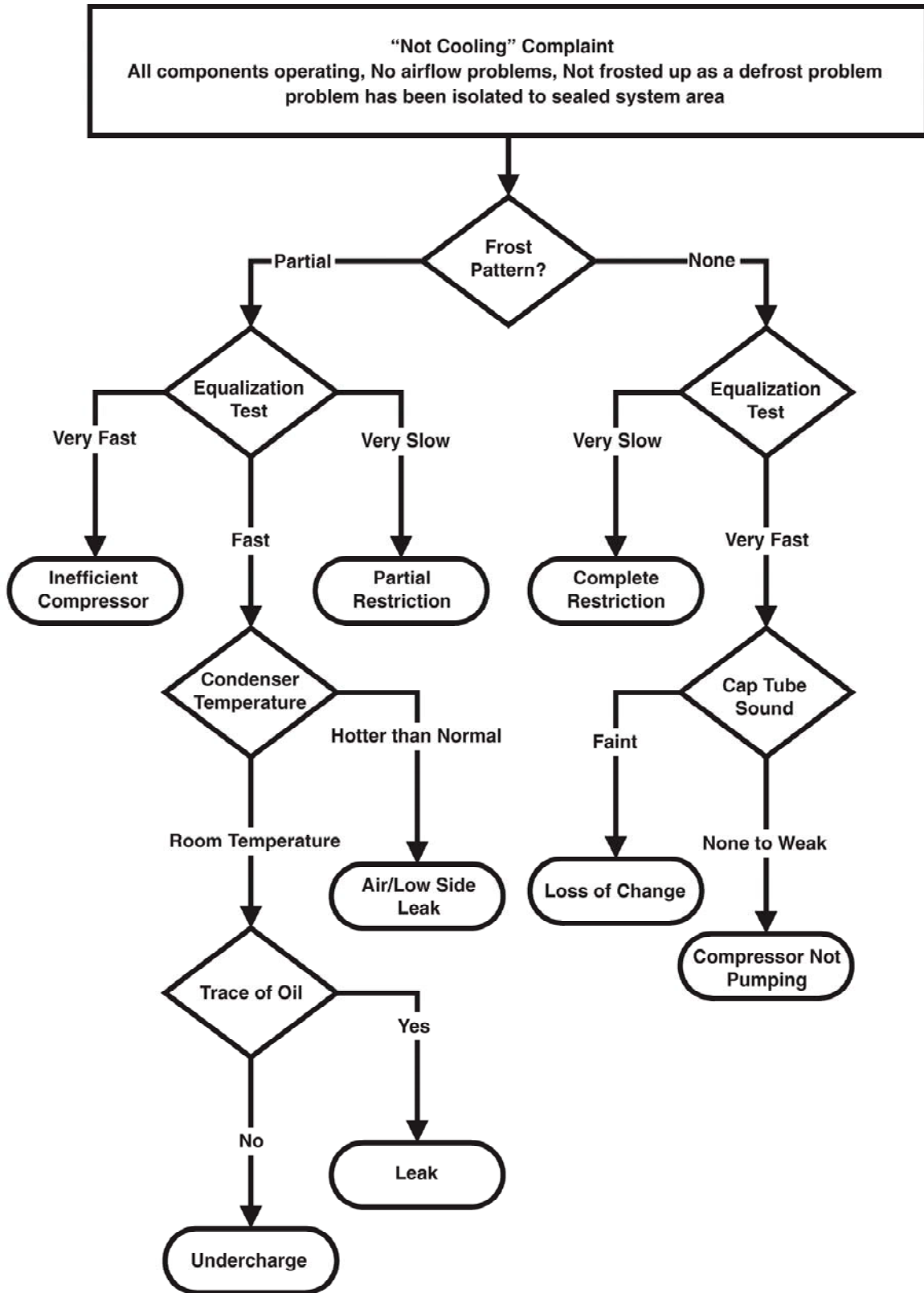


6-5 REFRIGERATION CYCLE

▼ Troubleshooting Chart

CAUSE		STATE OF THE UNIT	STATE OF THE EVAPORATOR	TEMPERATURE OF THE COMPRESSOR	REMARKS
LEAKAGE	PARTIAL LEAKAGE	Freezer compartment and Refrigerator don't cool normally.	Low flowing sound of Refrigerant is heard and frost forms in inlet only.	A little higher than ambient temperature.	<ul style="list-style-type: none"> • Refrigerant level is low due to a leak. • Normal cooling is possible by restoring the normal amount of refrigerant and repairing the leak.
	COMPLETE LEAKAGE	Freezer compartment and Refrigerator don't cool normally.	Flowing sound of refrigerant is not heard and frost isn't formed.	Equal to ambient temperature.	<ul style="list-style-type: none"> • No discharging of Refrigerant. • Normal cooling is possible by restoring the normal amount of refrigerant and repairing the leak.
CLOGGED BY DUST	PARTIAL CLOG	Freezer compartment and Refrigerator don't cool normally.	Flowing sound of refrigerant is heard and frost forms in inlet only.	A little higher than ambient temperature.	<ul style="list-style-type: none"> • Normal discharging of the refrigerant. • The capillary tube is faulty.
	WHOLE CLOG	Freezer compartment and Refrigerator don't cool.	Flowing sound of refrigerant is not heard and frost isn't formed.	Equal to ambient temperature.	<ul style="list-style-type: none"> • Normal discharging of the Refrigerant.
MOISTURE CLOG		Cooling operation stops periodically.	Flowing sound of refrigerant is not heard and frost melts.	Lower than ambient temperature.	<ul style="list-style-type: none"> • Cooling operation restarts when heating the inlet of the capillary tube.
DEFECTIVE COMPRESSION	COMP-RESSION	Freezer and Refrigerator don't cool.	Low flowing sound of refrigerant is heard and frost forms in inlet only.	A little higher than ambient temperature.	<ul style="list-style-type: none"> • Low pressure at high side of compressor due to low refrigerant level.
	NO COMP-RESSION	No compressing operation.	Flowing sound of refrigerant is not heard and there is no frost.	Equal to ambient temperature.	<ul style="list-style-type: none"> • No pressure in the high pressure part of the compressor.

6-5-1 SEALED SYSTEM DIAGNOSIS

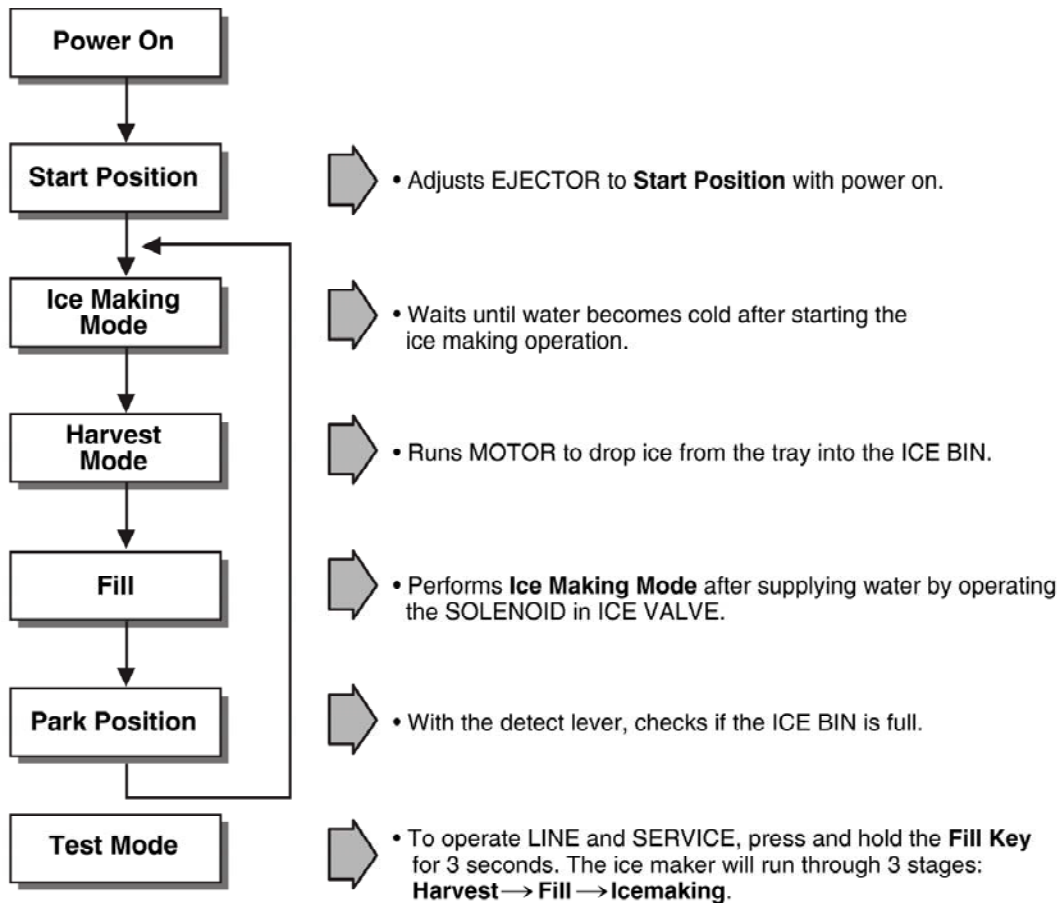


(The equalization test is trying to restart a compressor using a start kit after it has been operating.)

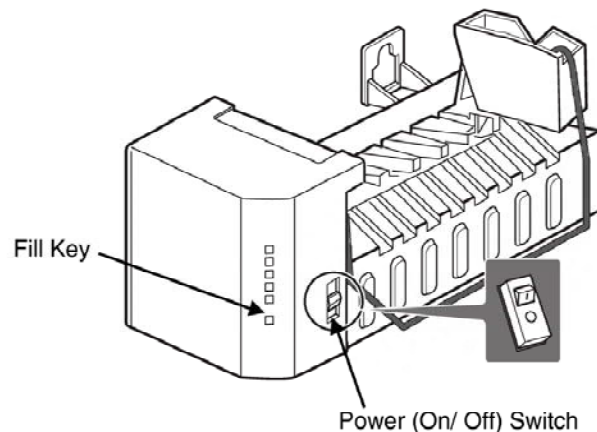
7. OPERATION PRINCIPLE AND REPAIR METHOD OF ICEMAKER

7-1 OPERATION PRINCIPLE

7-1-1 Operation Principle of IceMaker



1. Turning the Icemaker stop switch off (O) stops the ice making function.
2. Setting the Icemaker switch to OFF and then turning it back on will reset the icemaker control.



7-2 ICE MAKER FUNCTIONS

7-2-1 Start Position

1. After POWER OFF or Power Outage, check the EJECTOR's position with MICOM initialization to restart.
2. How to check if it is in place:
 - Check **HIGH/LOW** signals from HALL SENSOR in MICOM PIN.
3. Control Method to check if it is in place:
 - (1) EJECTOR is in place,
 - It is an initialized control, so the mode can be changed to ice making control.
 - (2) EJECTOR isn't in place:
 - A. If EJECTOR is back in place within 2 minutes with the motor on, it is being initialized. If not, go to Step B.
 - B. If EJECTOR is back in place within 18 minutes after the heater turns from ON to OFF, it is being initialized. If not, it is not functioning. Repeat Step B with Heater and Motor off.

7-2-2 Ice Making Mode

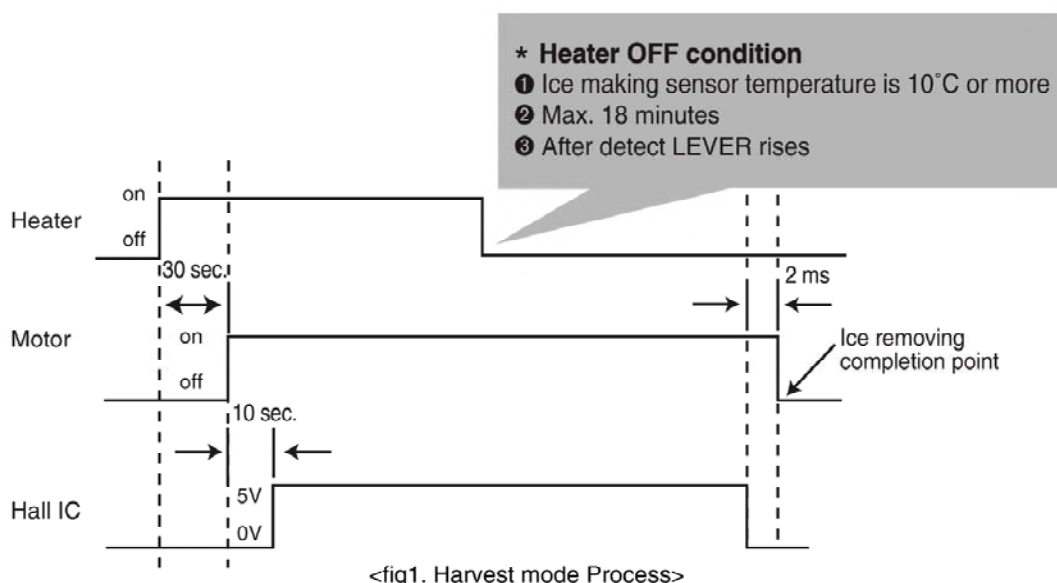
1. Ice Making refers to the freezing of supplied water in the ice trays. Complete freezing is assured by measuring the temperature of the Tray with Ice-Making SENSOR.
2. Ice Making starts after completion of the water fill operation.
3. The Ice Making function is completed when the sensor reaches -7°C , 60 to 240 minutes after starting.
4. If the temperature sensor is defective, the ice-making function will be completed in 4 hours.

NOTE : After Icemaker Power is ON, the Icemaker heater will be on for test for 9 sec.

7-2-3 Harvest Mode

1. Harvest (Ice removing) refers to the operation of dropping cubes into the ice bin from the tray when ice-making has completed.
2. Harvest mode:
 - (1) The Heater is ON for 30 seconds, then the motor starts.
 - (2) After performing Step 1 (the Heater is turned OFF), the Ejector will be back in place within 18 minutes. (Hall SENSOR sign = 0V). Ice removal is then complete. Then the Ice Maker cycles to the Fill Mode. The water supply fails to start, it is not functioning. Put the Heater and Motor in the off position. Restart every 2 hours. (Refer to fig.1)






NOTE : If the motor malfunctions and starts before the detect lever rises, MICOM regards the Ice-Removing phase as completed. Water then starts flowing. To prevent this, MICOM doesn't switch to water-supply mode, but restarts the ice-removing mode. If this happens 3 times, the motor is malfunctioning and you should stop the loads (Heater, Motor). Then restart the Ice-Removing mode every 2 hours. (See Step 2 above.)



7-2-4 Fill / Park Position

1. Once a normal harvest mode has been completed, the water solenoid will be activated.
2. The amount of water is adjusted by pressing the Fill Key repeatedly. This changes the time allowed for fill as illustrated in the table below.





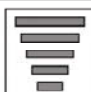
<Water supply amount TABLE>

STAGE	TIME TO SUPPLY	INDICATIONS	REMARKS
1	6 sec.		The water amount will vary depending on the water control Switch setting, as well as the water pressure of the connected water line.
2	6.5 sec.		
3	7 sec.		
4	7.5 sec.		
5	8 sec.		

7-2-5 Function TEST


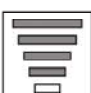
1. This is a compulsory operation for TEST, SVC, cleaning, etc. It is operated by pressing and holding the Fill Key for 3 seconds.
2. The test works only in the Ice Making Mode. It cannot be entered from the Harvest or Fill mode. (If there is an ERROR, it can only be checked in the TEST mode.)
3. **Caution!** If the test is performed before water in the Maker is frozen, the Ejector will pass through the water. When the Fill mode begins (Stage 4), unless the water supply has been shut off, added water will overflow into the ice bin. If the control doesn't operate normally in the TEST mode, check and repair as needed.
4. After water is supplied, the normal CYCLE is followed: **ice making** → **Harvest** → **Fill** → **Park Position**.
5. Five seconds after Stage 5 is completed, the Ice Maker returns to MICOM control. The time needed to supply water resets to the pre- test setting.

<Diagnosis TABLE>

STAGE	ITEMS	INDICATOR	REMARKS
1	HEATER		Five seconds after heater starts, heater will go off if temperature recorded by sensor is 10°C or lever is in up position.
2	MOTOR		Five seconds after heater starts, you can confirm that motor is moving.
3	HALL IC I (detection of position)		You can confirm Hall Ic detection of position.
4	VALVE		Two seconds after detection of initial position, you can confirm that valve is on.
5	HALL IC II (detection of full-filled Ice)		You can check whether hall is sensing Full ice condition. (If there is a full-filled error, the fifth LED is not on.)
6	Reset	Return to Status prior to TEST MODE	Five seconds after fifth stage is completed, the icemaker resets to initial status.

7-3 DEFECT DIAGNOSIS FUNCTION

7-3-1 ERROR CODES shown on Ice Maker water supply control panel

NO	DIVISION	INDICATOR	CONTENTS	REMARKS
1	Normal	Mark time to supply	None	Display switch operates properly
2	Ice-Making Sensor malfunction		Open or short-circuited wire	Make sure that the wire on each sensor is connected.
3	Ice Maker Kit malfunction		When ejector blades don't reach park position over 18 minutes after Harvest Mode starts.	Check HALL IC/MOTOR/ HEATER/RELAY

ERROR indicators in table can be checked only in TEST mode.

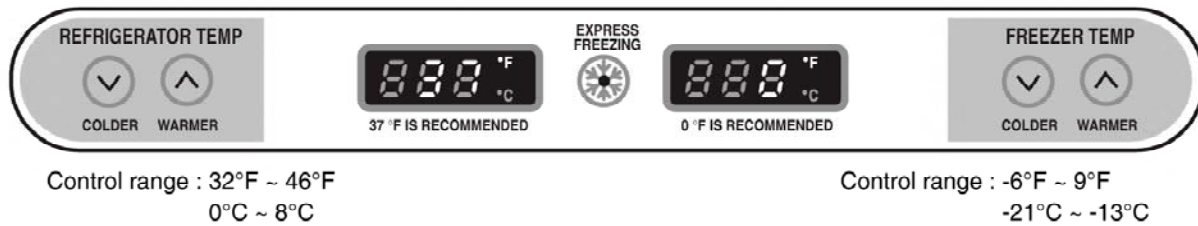
8. DESCRIPTION OF FUNCTION & CIRCUIT OF MICOM

8-1 FUNCTION

8-1-1 Function

1. When the appliance is plugged in, it is set to 37°F for Refrigerator and 0°F for freezer.
You can adjust the Refrigerator and the Freezer control temperature by pressing the ADJUST button.
2. When the power is initially applied or restored after a power failure, it is automatically set to "37" & "0".

Better Model



8-1-2 How to Toggle the Display between °F & °C

1. The display temperature mode can be changed from °F to °C or °C to °F by pressing and holding the FRZ TEMP and the REF TEMP keys at the same time for over one second.
2. The initial setting is °F. Whenever the mode is changed, the LED lights are changed.

8-1-3 Control of freezer fan motor

1. Freezer fan motor has high and standard RPMs.
2. High RPM is used when electricity is first on, for express freezing, and when refrigerator is overloaded.
Standard RPM is used for normal usage.
3. Fan motor stops when refrigerator or freezer door opens.

8-1-4 EXPRESS FREEZING

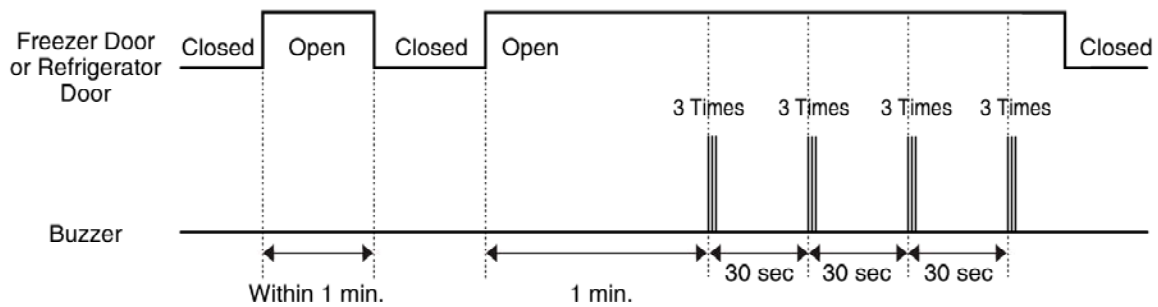
1. The purpose of this function is to intensify the cooling speed of freezer and to increase the amount of ice.
2. Whenever selection switch is pressed, selection/release, the LED will turn ON or OFF.
3. If there is a power outage and the refrigerator is powered on again, EXPRESS FREEZING will be canceled.
4. To activate this function you need to press the Express Freezing key and the LED will turn ON. This function will remain activated for 24 hrs. The first three hours the compressor and Freezer Fan will be ON. The next 21 hours the freezer will be controlled at the lowest temperature. After 24 hours or if the Express Freezing key is pressed again, the freezer will return to its previous temperature.
5. During the first 3 hours:
 - (1) Compressor and freezer fan(HIGH RPM) run continuously.
 - (2) If a defrost cycle begins during the first 90 minutes of Express Freezing, the Express Freeze cycle will complete its cycle after defrosting has ended. If the defrost cycle begins when Express Freeze has run for more than 90 minutes, Express Freeze will run for two hours after the defrost is completed.
 - (3) If EXPRESS FREEZING is pressed during defrost, EXPRESS FREEZING LED is on but this function will start seven minutes after defrost is completed and it shall operate for three hours.
 - (4) If EXPRESS FREEZING is selected within seven minutes after compressor has stopped, the compressor (compressor delays seven minutes) shall start after the balance of the delay time.
 - (5) The fan motor in the freezer compartment rotates at high speed during EXPRESS FREEZING.
6. For the rest of 21 hours, the freezer will be controlled at the lowest temperature.

8-1-5. REFRIGERATOR LAMP AUTO OFF

1. To protect the risk of lamp heat, when Refrigerator door opens for 7 min., refrigerator lamp is auto off.

8-1-6 Alarm for Open Door

1. This feature sounds a buzzer when the freezer or refrigerator door is not closed within 1 minute after it is opened.
2. One minute after the door is opened, the buzzer sounds three times each for 1/2 seconds. These tones repeat every 30 seconds.
3. The alarm is cancelled when the freezer or the refrigerator is closed while the buzzer sounds.



8-1-7 Buzzer Sound

When the button on the front Display is pushed, a Ding- Dong- sound is produced.

8-1-8 Defrosting (removing frost)

1. Defrosting starts each time the COMPRESSOR running time reaches 7 hours.
2. For initial power on or for restoring power, defrosting starts when the compressor running time reaches 4 hours.
3. Defrosting stops if the sensor temperature reaches 8°C or more. If the sensor doesn't reach 8°C in 2 hours, the defrost mode is malfunctioning.
4. Defrosting won't function if its sensor is defective (wires are cut or short circuited)

8-1-9 Electrical Parts Are Turned On Sequentially

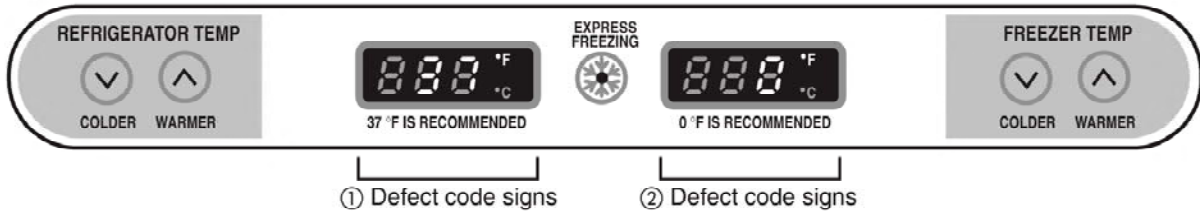
Electrical parts such as COMP, defrosting heater, freezer FAN, etc. are turned on in the following order to prevent noise and parts damage. Several parts are started at the same time at initial power on and are turned off together when TEST is completed.

OPERATING		ORDERS				
Initial power on	Temperature of Defrosting Sensor is 45°C or more (when unit is newly purchased or when moved)	POWER ON	in 0.5 sec →	COMP ON	in 0.5 sec →	Freezer FAN ON
	Temperature of defrosting sensor is lower than 45°C (when power cuts, SERVICE)	POWER ON	in 0.5 sec →	Defrosting heater ON	in 10 sec →	Defrost heater OFF
		in 0.5 sec →	COMP ON	in 0.5 sec →	Freezer FAN ON	
Reset to normal operation from TEST MODE		Total load OFF	in 7 min →	COMP ON	in 0.5 sec →	Freezer FAN ON

8-1-10 Defect Diagnosis Function

1. Automatic diagnosis makes servicing the refrigerator easy.
2. When a defect occurs, the buttons will not operate; but the tones, such as ding, will sound.
3. When the defect CODE removes the sign, it returns to normal operation (RESET).
4. The defect CODE shows on the Refrigerator and Freezer Display.

Better Model



ERROR CODE on display panel

NO	ITEM	ERROR CODE		CONTENTS	REMARKS
		①	②		
1	Failure of freezer sensor	<i>Er</i>	<i>FS</i>	Cut or short circuit wire	Inspect Connecting wires on each sensor
2	Failure of Refrigerator sensor	<i>Er</i>	<i>rS</i>	Cut or short circuit wire	
3	Failure of defrost sensor	<i>Er</i>	<i>dS</i>	Cut or short circuit wire	
4	Failure of Room Temperature sensor	When display check mode: <i>Er rt</i>		Cut or short circuit wire	
5	Failure of defrost mode	<i>Er</i>	<i>dH</i>	When defrost sensor doesn't reach 8°C within 2 hours after starting defrost.	Snapping of defrost heater or Temperature fuse, pull-out of connector (indicated minimum 2 hours after failure occurs)
6	Failure of BLDC Fan Motor at Freezing Compartment	<i>Er</i>	<i>FF</i>	If there is no fan motor signal for more than 65sec in operation fan motor	Poor motor, hooking to wires of fan, contact of structures to fan, snapping or short circuit of Lead wires

Note 1) Room Temperature Sensor is not indicated on the failure indicating part but indicated in checking Display. (When pressing for more than the warmer key of Refrigerator Temp. and the warmer key of Freezer Temp for more than 1 second).

* LED check function: If simultaneously pressing the warmer key of Refrigerator Temp and the warmer key of Freezer Temp for a second, all display LED graphics on. If releasing the button, the LED graphics displays the previous status.

8-1-11 TEST Mode

1. The Test mode allows checking the PCB and the function of the product as well as finding out the defective part in case of an error.
2. The test mode is operated by pressing two buttons at Display panel.
3. While in the test mode, the function control button is not recognized, but the recognition tone (beep~) sounds.
4. After exiting the test mode, be sure to reset by unplugging and then plugging in the appliance.
5. If an error, such as a sensor failure, is detected while in the test mode, the test mode is cleared and the error code is displayed.
6. While an error code is displayed, the test mode will not be activated.

MODE	MANIPULATION	CONTENTS	REMARKS
TEST1	Push Express Freezing Key and COLDER KEY of Freezer Temp. at the Same time for 3 seconds. OR Push TEST S/W (on the main Board) Once.	1) Continuous operation of the COMPRESSOR and the Freezer fan 2) Stepping DAMPER OPEN 3) Defrosting HEATER OFF 4) DISPLAY LED all ON	
TEST2	Push Express Freezing Key and COLDER KEY of Freezer Temp. at the Same time for 3 seconds. In TEST MODE 1 OR Push TEST S/W Once in TEST MODE 1	1) Continuous operation of the COMPRESSOR and the Freezer fan 2) Stepping DAMPER CLOSE 3) Defrosting HEATER OFF 4) DISPLAY LED ahows no. 2	
TEST3	Push Express Freezing Key and COLDER KEY of Freezer Temp. at the Same time for 3 seconds. In TEST MODE 2 OR Push TEST S/W Once in TEST MODE 2	1) COMPRESSOR and the Freezer fan OFF 2) Stepping DAMPER CLOSE 3) Defrosting HEATER ON 4) DISPLAY LED ahows no. 3	Reset if the Temperature of the Defrosting sensor is 8°C or more.
Reset	Push Express Freezing Key and COLDER KEY of Freezer Temp. at the Same time for 3 seconds. In TEST MODE 3 OR Push TEST S/W Once in TEST MODE 3	Reset to the previously setting Before TEST MODE	The compressor will Start after a 7-minute Delay.

* Freezer Fan RPM Variable Check:

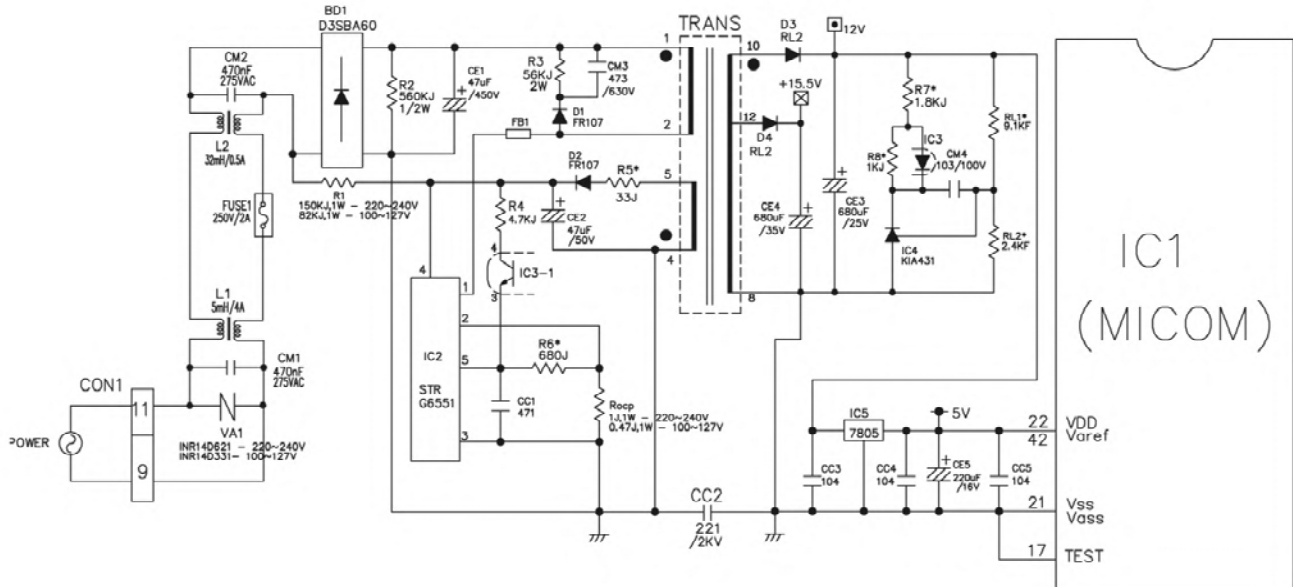
In case the freezer fan is in operation when the WARMER KEY in Refrigerator and Freezer Temp. Control are pressed for more than one second at the same time freezer fan RPM changes. (for example if high speed, to normal speed or if normal speed, to high speed for 30 seconds)
After 30 seconds, it turns to its original RPM.

* Demonstration (Display) MODE:

1. To enter this mode, raise either the Refrigerator or Freezer temperature to its highest setting. Then, press that Warmer Key and hold for about 5 seconds.
2. The LED panels will display OFF, to indicate that the Compressor, Circulating Fan, Damper, and Defrost Heater are not operating.
3. The Open Door Alarm and the Lamp Auto-Off feature will work normally and can be demonstrated.
4. To reset to normal operation, press and hold either Warmer Key for about 5 seconds.

8-2 PCB FUNCTION

8-2-1 Power Circuit



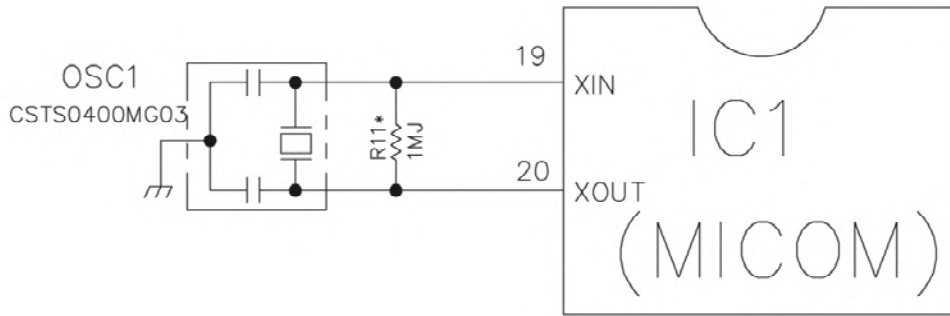
The secondary part of the TRANSFORMER is composed of the power supply for the display, the BLDC FAN Motor drive (15.5 V), the relay drive (12 Vdc) and the MICOM and IC (5 Vdc).

The voltage for each part is as follows:

PART	VA 1	CE 3	CE 4	CE 5
VOLTAGE	115 Vac	12 Vdc	15.5 Vdc	5 V

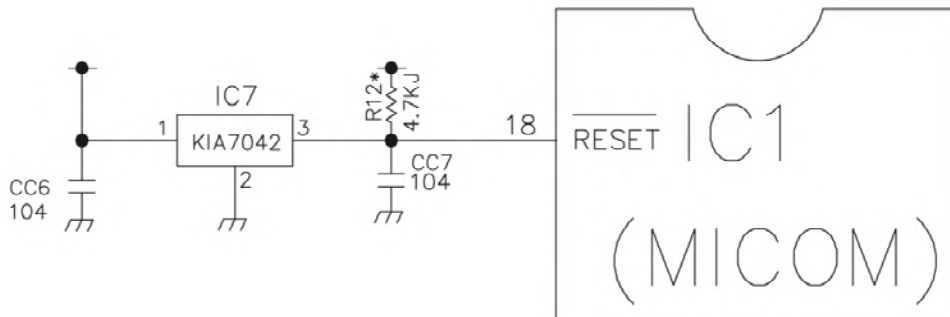
VA1 is a part for preventing over voltage and noise. When 385V or higher power is applied, the inside elements are short-circuited and broken, resulting in blowout of the fuse in order to protect the elements of the secondary part of the TRANSFORMER.

8-2-2 Oscillation Circuit



This circuit generates the base clock for calculating time and the synchro clock for transmitting data from and to the inside logic elements of the IC1 (MICOM). Be sure to use specified replacement parts, since calculating time by the IC1 may be changed. If changed, the OSC1 SPEC will not work.

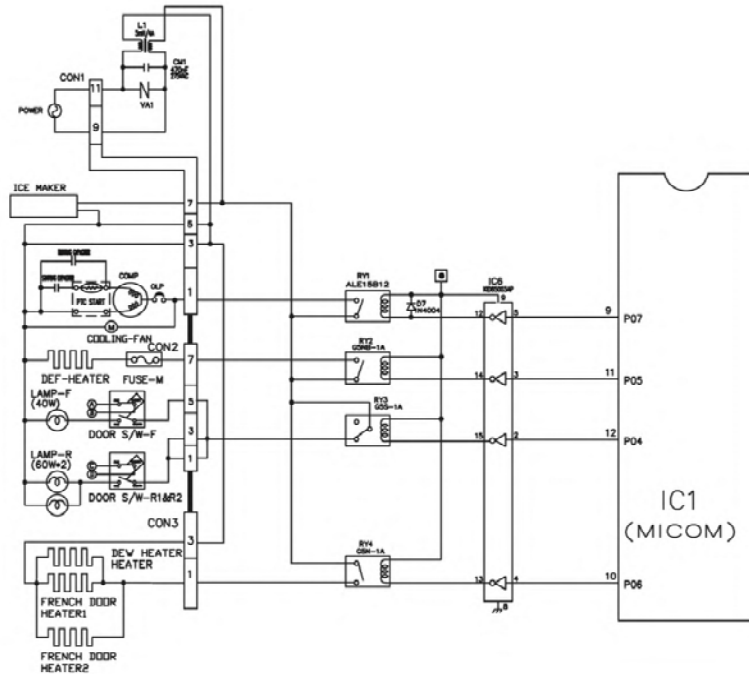
8-2-3 Reset Circuit



The RESET circuit allows all the functions to start at the initial conditions by initializing various parts, including the RAM inside the MICOM (IC1) when the power is initially supplied or the power supply to the MICOM is restored after a momentary power failure. For the initial 10ms of power supply, LOW voltage is applied to the MICOM RESET terminal. During a normal operation, 5V is applied to the RESET terminal. (If a malfunction occurs in the RESET IC, the MICOM will not operate.)

8-2-4 Load / Buzzer Drive & Open Door Detection Circuit

1. Load Drive Condition Check

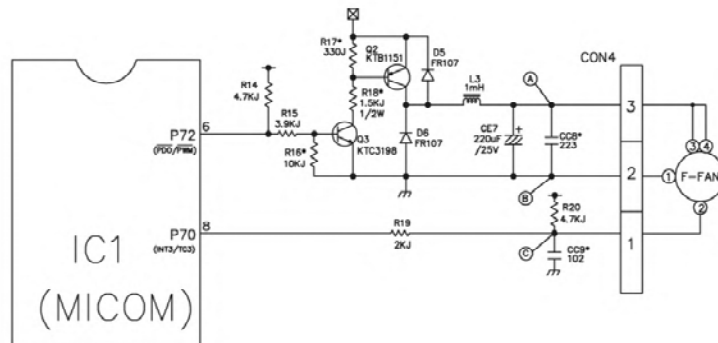


LOAD TYPE		COMP	DEFROSTING HEATER	LAMP	FRENCH DOOR HEATER 1, 2 / DEW HEATER
Measurement Location (IC6)		NO.12	NO.14	NO.15	NO.13
Condition	ON	1V or below			
	OFF	12V			

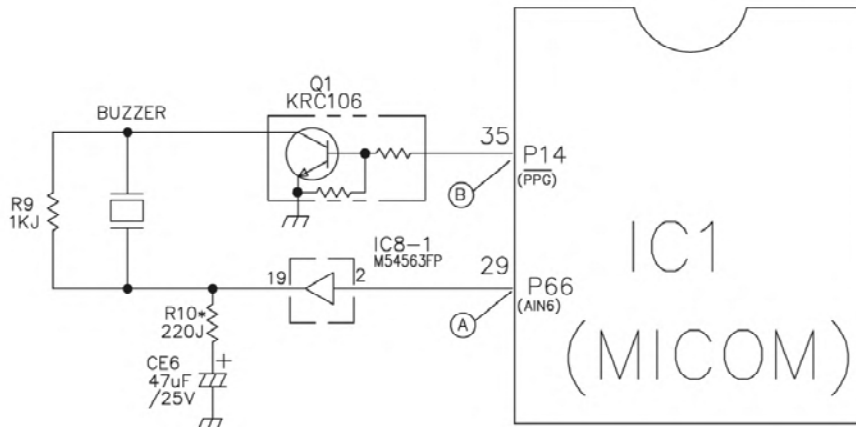
2. Fan motor driving circuit (freezing compartment fan)

1. This circuit makes standby power 0 by cutting off power supplied to ISs inside of the fan motor in the fan motor OFF.
2. This is a circuit to perform a temporary change of speed for the fan motor and applies DC voltage up to 7.5V ~ 16V to motor.
3. This circuit prevents over-driving the fan motor by cutting off power applied to the fan motor in the lock of fan motor by sensing the operation RPM of the fan motor.

	Ⓐ part	Ⓑ part	Ⓒ part
MOTOR OFF	2V or less	0V	5V
MOTOR ON	13V~15V	0V	2V~3V

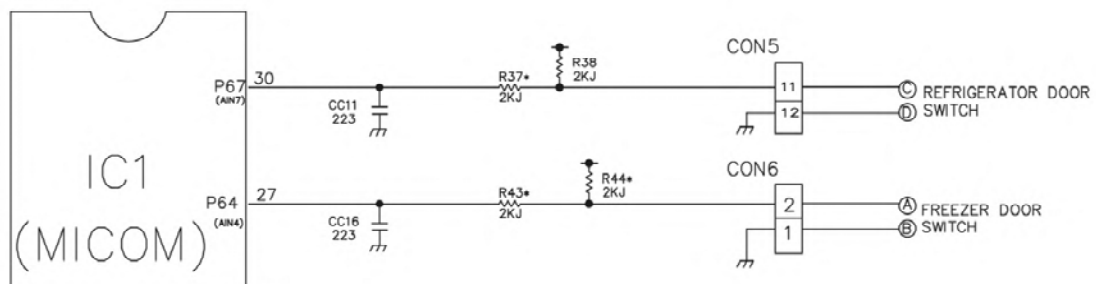


2. Buzzer Drive Condition Check



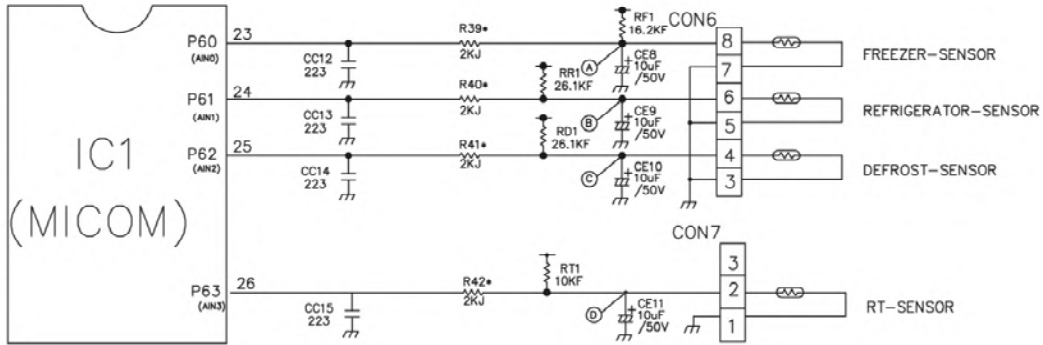
Condition Measurement Location	Tone (Ding-Dong-) when the button on the display is pushed.	Alarm for open door (beep-beep-beep)	OFF
IC1 (A)			0 V
IC1 (B)			0 V

3. Open Door Detection Circuit Check



Measurement Location	(PIN NO.30 & PIN NO.27)
Freezer/ Refrigerator Door Closed	5 V
Open	0 V

8-2-5 Temperature Sensor Circuit

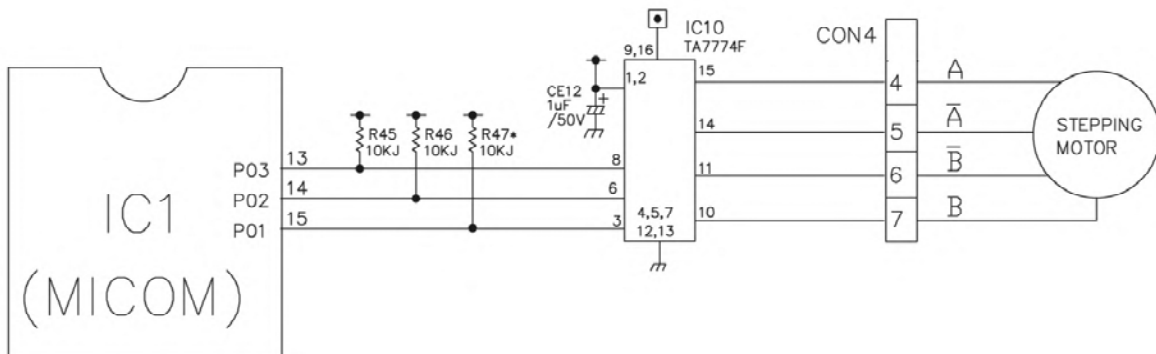


The upper CIRCUIT reads REFRIGERATOR temperature, FREEZER Temperature, and DEFROST-SENSOR temperature for defrosting and the indoor temperature for compensating for the surrounding temperature into MICOM. OPENING or SHORT state of each TEMPERATURE SENSOR are as follows:

SENSOR	CHECK POINT	NORMAL (-30°C ~ 50°C)	SHORT-CIRCUITED	OPEN
Freezer Sensor	POINT (A) Voltage	0.5 V ~ 4.5 V	0 V	5 V
Refrigerator Sensor	POINT (B) Voltage			
Defrosting Sensor	POINT (C) Voltage			
Room Temperature sensor	POINT (D) Voltage			

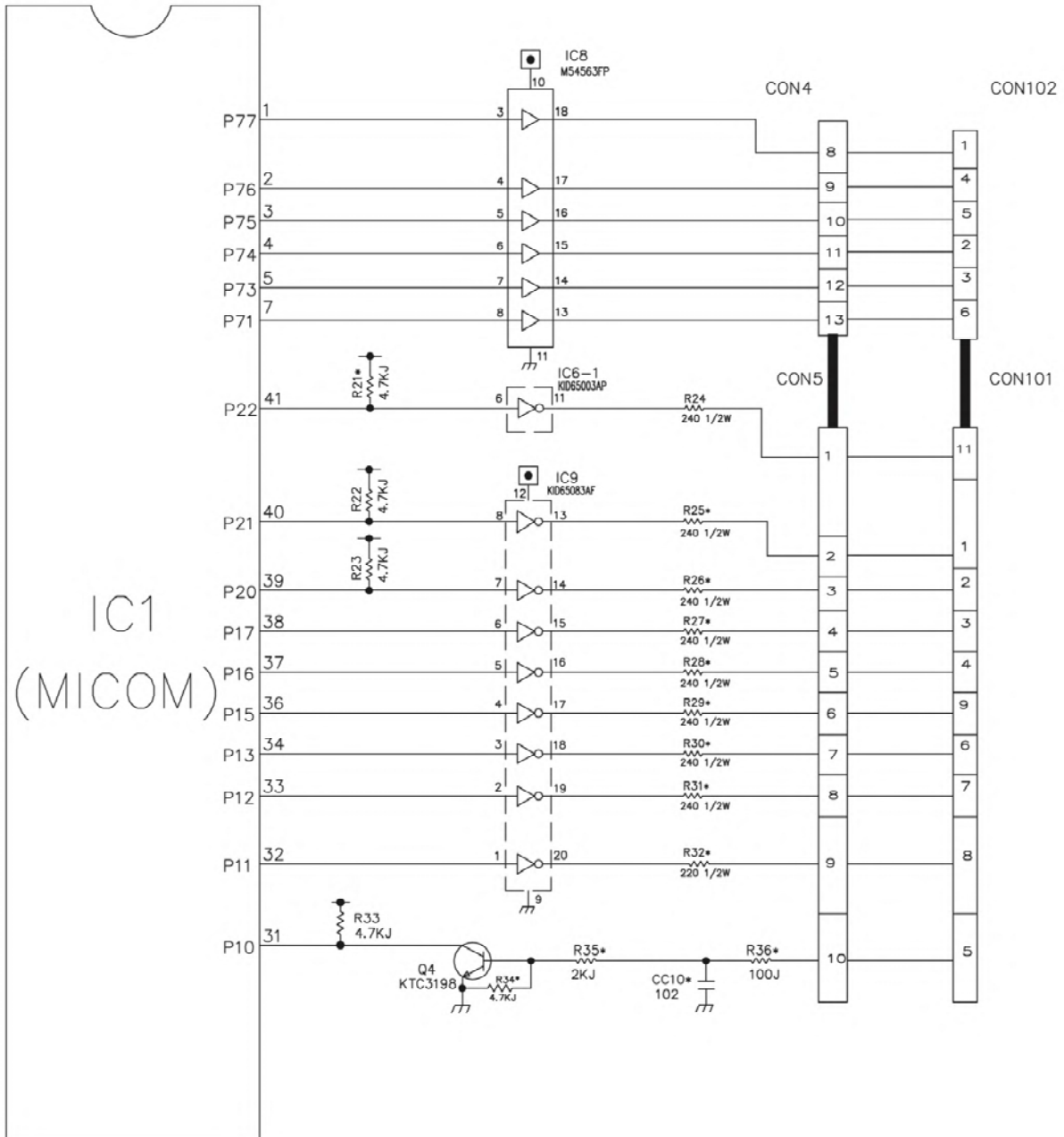
8-2-6 Refrigeration Compartment Stepping Motor Damper Circuit

* The circuit shown below is the damper circuit to regulate the refrigerator temperature.



8-2-7 Key Button Input & Display Light-On Circuit

◆ The circuit shown above determines whether a function control key on the operation display is pushed. It also turns on the corresponding function indication LED (LED Module) SEVEN SEGMENT DISPLAY (SEVEN SEGMENT DISPLAY MODULE). The drive type is the scan type



8-3 RESISTANCE SPECIFICATION OF SENSOR

TEMPERATURE	RESISTANCE OF FREEZER SENSOR	RESISTANCE OF REFRIGERATOR & DEFROST SENSOR & ROOM SENSOR
- 20 °C	22.3 KΩ	77 KΩ
- 15 °C	16.9 KΩ	60 KΩ
- 10 °C	13.0 KΩ	47.3 KΩ
- 5 °C	10.1 KΩ	38.4 KΩ
0 °C	7.8 KΩ	30 KΩ
+ 5 °C	6.2 KΩ	24.1 KΩ
+ 10 °C	4.9 KΩ	19.5 KΩ
+ 15 °C	3.9 KΩ	15.9 KΩ
+ 20 °C	3.1 KΩ	13 KΩ
+ 25 °C	2.5 KΩ	11 KΩ
+ 30 °C	2.0 KΩ	8.9 KΩ
+ 40 °C	1.4 KΩ	6.2 KΩ
+ 50 °C	0.8 KΩ	4.3 KΩ

- The resistance of the SENSOR has a $\pm 5\%$ common difference.
- Measure the resistance of the SENSOR after leaving it for over 3 minutes in the measuring temperature. This delay is necessary due to sensor response speed.

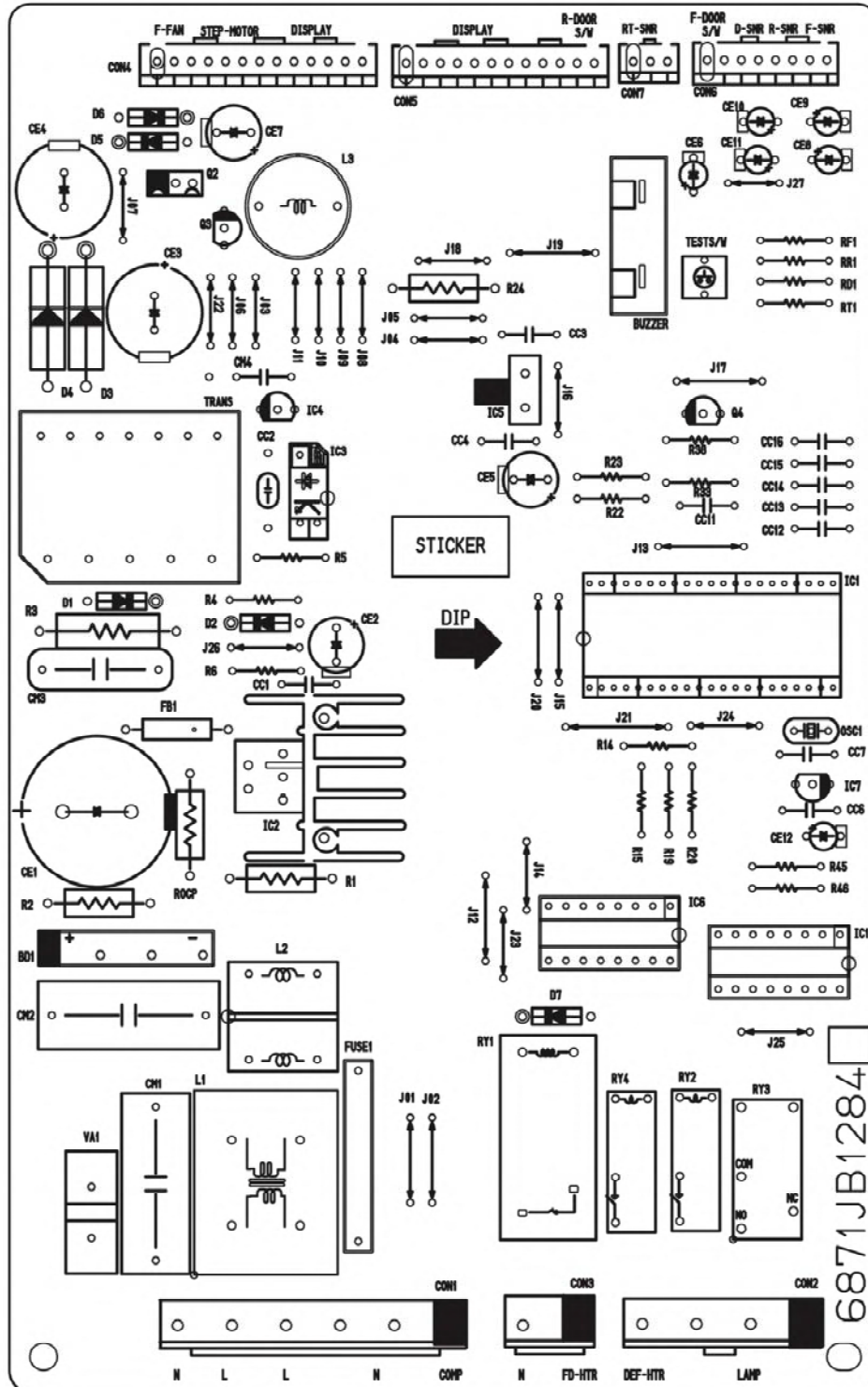
8-4 TROUBLESHOOTING

PROBLEM	INDICATED BY	CHECK	CHECKING METHOD	CAUSE	SOLUTION
POWER SOURCE is poor.	1. The whole DISPLAY LED/SEVEN SEGMENT DISPLAY is off. 2. DISPLAY LED/ SEVEN SEGMENT DISPLAY operates abnormally	1. FREEZER/ REFRIGERATOR.	Check if FREEZER/ REFRIGERATOR DOOR IS OPEN and check display.	POWER SOURCE is poor.	Check outlet Voltage.
		2. If LAMP is dim.	Check visually.	Applied voltage error.	Use boosting TRANS.
COOLING is poor.	NO COOLING.	3. The connection of the MAIN PWB CONNECTOR.	Check connection of CONNECTOR.	CONNECTOR connection is poor.	Reconnect CONNECTOR.
		1. If the COMPRESSOR operate.	USE TEST MODE ¹ (forced COOLING). If less than 7 minutes pass after compressor shuts off, don't press the KEY and wait.	COMPRESSOR locked or blocked. OLP, PTC is poor. COMPRESSOR RELAY is poor.	Replace COMPRESSOR. Replace OLP, PTC. Replace MAIN PWB.
FREEZER TEMPERATURE is incorrect		2. If refrigerant is leaking.	Measure the amount of frost sticking on EVAPORATOR and the surface temperature of the condenser pipe.	THE CONNECTING WIRE is poor.	Check the connection of the black wire of the MAIN PWB CONNECTOR (CON2).
				Refrigerant leakage.	Replace the leaking part and replace any lost refrigerant.
		1. If FAN MOTOR operates.	USE TEST MODE ¹ (forced COOLING).	FAN MOTOR is poor.	Replace the FAN MOTOR.
		2. If DEFROSTING is normal.	Check the amount of frost sticking on the EVAPORATOR.	DEFROSTING is poor.	See DEFROSTING is poor.
4. Door Line contact.		3. If SENSOR is normal.	Check the resistance of the Refrigerator SENSOR.	SENSOR RESISTANCE is poor.	Replace SENSOR.
		4. Door Line contact.	Check the seal when the door is closed.	Door liner damaged.	Replace door liner.
				CONNECTING WIRE is poor.	Refer to 8-2-4. 2 and check

PROBLEM	INDICATED BY	CHECK	CHECKING METHOD	CAUSE	SOLUTION
COOLING is poor.	If REFRIGERATOR TEMPERATURE is too low.	1. If FREEZER TEMPERATURE is normal.	Check if FREEZER TEMPERATURE is too low.	FAN MOTOR is poor. Passage of cool air is blocked. EVA frozen.	Make sure the DOOR is attached.
		2. If amount of cool air from FAN MOTOR is sufficient.	Make sure that the amount and speed of cool air are sufficient by touching the check supplied on the REFRIGERATOR.		Replace FAN MOTOR. Remove impurities.
DEFROSTING is poor.	NO DEFROSTING.	3. Door Line contact.	Check door seal when door is closed.	Door liner damaged.	Replace Door liner.
		1. If HEATER emits heat.	USE TEST MODE3 (forced DEFROSTING).	HEATER disconnection. TEMPERATURE FUSE disconnection. Connection is poor.	Replace HEATER. Replace TEMPERATURE FUSE. Check EVAPORATOR connection and wire of MAIN PWB CONNECTOR.
DEFROSTING is poor.	NO DEFROSTING.	2. If DRAIN PIPE is blocked.	Check DRAIN PIPE.	DEFROST-SENSOR is poor. HEATER RELAY is poor. DRAIN PIPE is blocked.	Replace DEFROST-SENSOR. Replace RY2 of MAIN PWB. Remove ice and impurities. Check HEATER PLATE resistance.
		3. If ice remains after DEFROSTING.	Make sure that DEFROST SENSOR is connected. Make sure that FREEZER / REFRIGERATOR DOOR is closed.	Connection is poor. DOOR does not close properly.	Reassemble the DEFROST-SENSOR. Reassemble DOOR. Replace GASKET.

8-5 MAIN PWB ASSEMBLY AND PARTS LIST

8-5-1 Main PWB Assembly



8-5-2 Replacement Parts List

No	P/NO	DESCRIPTION	SPEC	MAKER	REMARK
1	6070JB0131A	PWR(PCB)	BETTER BRAVD-PJT	DDD SAN	T=1.6
2	6170JB012A	TRANSFORMER,SMP(SCOIL)	DL-PJT 2.9MH/20W	SAM II	TRANS
3	6170JB012C	TRANSFORMER,SMP(SCOIL)	GR-207,BLDC 100V-127V	SAM II	TRANS
4	6630VW0111	CONNECTOR (CIRC) WAFER	YW396 YEDNH0 11P 3.96MM YW396-11AV (11P-2.4,6,8,10)	YFON HD	CON2
5	6630A09106C	CONNECTOR (CIRC) WAFER	YW396-07AV YEDNH0 7PIN 3.96MM STRAIGHT SN	YFON HD	CON2
6	6630A09106A	CONNECTOR (CIRC) WAFER	YW396-03AV	YFON HD	CON3
7	6630JB0004M	CONNECTOR (CIRC) WAFER	SMW250 YEDNH0 13P 2.5MM STRAIGHT SN	YFON HD	CON4
8	6630JB0004L	CONNECTOR (CIRC) WAFER	SMW250 YEDNH0 12P 2.5MM STRAIGHT SN	YFON HD	CON5
9	6630JB0004G	CONNECTOR (CIRC) WAFER	SMW250 YEDNH0 8P 2.5MM STRAIGHT SN	YFON HD	CON6
10	6630JB0004B	CONNECTOR (CIRC) WAFER	SMW250 YEDNH0 3P 2.5MM STRAIGHT SN	YFON HD	CON7
11	0177JB0440	IC,DRAWING	TPP87(C866) 42P SDIP BK MASK BRAVD-PJT BETTER	TOSHIBA	IC1=(0177JB0440)
12	01KE431000A	IC,KEC	K1A431 3 PIN TP - -	KEC	IC4
13	01KF650030B	IC,KEC	K1D65003AP 16P SDIP BK DRIVE IC	KEC	IC6
14	01KF650030B	IC,KEC	K1D65003AP 20P SDIP ST LED DRIVER(TR ARRAY)	KEC	IC9
15	01KE704200A	IC,KEC	K1A7042P KEC 3P BK RESET	KEC	IC7
16	01KE780500W	IC,LINER	K1A7805PT - - -	KEC	IC5
17	01PMGNE001A	IC,POWER MANAGEMENT	PS2561L1-1-V NEC 4P,DIP BK = TLP72IF	NEC	IC3
18	01SK635100A	IC,POWER MANAGEMENT	STR-G6351 SPIN BK SMP5 2,4PIN FDRN	SANKEN	IC2
19	01S1LW001A	IC,STANDARD LOGIC	MS4563P MITSUBISHI 20P/TP CONVERT	MITSUBISHI	IC8
20	01TD774400A	IC,DRAWING	TA7774AP 16,SDIP BK DRIVE,IC STEPPING MOTOR	TOSHIBA	IC10
21	6920000001A	RELAY	AL15B12 MATSUSHITA 250VAC 16A 12VDC 1A NO VENTING	NAIS	RY1
22	6920JB2003A	RELAY	G5N-1A DMRON 250VAC 1.5A 12VDC 1A JAPAN	DMRON	RY4
23	6920JB2003D	RELAY	G5N8-1A-E DMRON 250VAC 5A 12VDC 1A NO VENTING	DMRON	RY2
24	6920JB2003B	RELAY	G5S8-14 DMRON 250VAC 5A 12VDC 1C NO VENTING	DMRON	RY3
25	6412JB0001B	RESINATOR,CERAMIC	CS150400MG03 MURATA 4MHZ TP -	MURATA	OSC1
26	6105JB0001B	VARISTOR	INR140621 IL JIN UL/7DE BK 620V	IL JIN	CE4
27	6102VW5007A	VARISTOR	INR14B331K IL JIN UL/CSA/VDE BK	IL JIN	VA1
28	0DB360000AA	DIODE,RECTIFIERS	D3SBA60 BK SHINDENGEN - 600V 4A 80A - 10UA	SHINDENGEN	BD1
29	0DD400409AC	DIODE,RECTIFIERS	RECTIN4004 TP	DEL TA	DI7
30	0DR107009AA	DIODE,RECTIFIERS	FR107 TP RECTRON DD41 1000V 1A 30A 500NSEC 5A	DEL TA	DI, DP, DS, D6
31	0DRSA00070A	DIODE,RECTIFIERS	RL2 SANKEN BK NDN 400V 2A 40A 50NSEC 10UA	SANKEN	D3,D4
32	0CE105BK63B	CAPACITOR,FIXED ELECTROLYTIC	10UF KME,RG,1X 50V 0.2 FMS TP 5	SAM WHA	CE12
33	0CE106K63B	CAPACITOR,FIXED ELECTROLYTIC	10UF KMG 50V 20% FMS TP 5	SAM WHA	CE8-CE11
34	0CE227B63B	CAPACITOR,FIXED ELECTROLYTIC	220UF KME,TYPE 16V 20% FMS TP 5	SAM WHA	CE5
35	0CE227B463B	CAPACITOR,FIXED ELECTROLYTIC	220UF KME,RG 25V 20% FMS TP 5	SAM WHA	CE7
36	0CE476B463B	CAPACITOR,FIXED ELECTROLYTIC	47UF KME,RG,YX 25V 0.2 FMS TP 5	SAM WHA	CE6
37	0CE476BK63B	CAPACITOR,FIXED ELECTROLYTIC	47UF KME,TYPE 50V 20% FMS TP 5	SAM WHA	CE2
38	0CE476V6E0	CAPACITOR,FIXED ELECTROLYTIC	47UF HE 450V 20% BULK SNAP IN	SAM WHA	CE1
39	0CE687V6E0	CAPACITOR,FIXED ELECTROLYTIC	680UF BX 25V 20% BULK SNAP IN	SAM WHA	CE3
40	0CE697V6E0	CAPACITOR,FIXED ELECTROLYTIC	680UF BX 35V 20% TP 5 FL	SAM WHA	CE4
41	0CK102DK96A	CAPACITOR,FIXED CERAMIC(HIGH DIELECTRIC)	1NF 2012 50V 80%,20% R/TP X7R	MURATA	CC9,CC10
42	0CK1040K94A	CAPACITOR,FIXED CERAMIC(High dielectric)	0.1UF D 50V 80%,20% F(Y5V) TA52	SAM WHA	CC3,CC4,CC6,CC7
43	0CK104DK94A	CAPACITOR,FIXED CERAMIC(HIGH DIELECTRIC)	100NF 2012 50V 80%,20% R/TP F(Y5V)	MURATA	CC5
44	0CK2210E2510	CAPACITOR,FIXED CERAMIC(High dielectric)	220P 2KV K B S	SAM WHA	CC2
45	0CK2230K949	CAPACITOR,FIXED CERAMIC(High dielectric)	22NF 50V Z F TA52	SAM WHA	CC11-CC16
46	0CK223DK96A	CAPACITOR,FIXED CERAMIC(HIGH DIELECTRIC)	22NF 5012 50V 80%,20% R/TP X7R	MURATA	CC8
46	0CK473K519	CAPACITOR,FIXED CERAMIC(High dielectric)	470PF 50V K B TA52	SAM WHA	CC1
47	0CQ1031N509	CAPACITOR,FIXED FILM	0.01UF D 100V 10% PF TP5	SAM WHA	CM4
48	0CQ4732Y430	CAPACITOR,FIXED FILM	47000PF 5 630V 5% M/PE NI R	SAM WHA	CM3
49	0CQ4741R670	CAPACITOR,FIXED FILM	0.47UF D 275V 20% M/PP NI R	SAM WHA	CM1,CM2
50	0RD1001G609	RESISTOR,FIXED CARBON FILM	1K OHM 1/4 W 5% TA52	SMART	R9
51	0RD1002G609	RESISTOR,FIXED CARBON FILM	10K OHM 1/4 W 5% TA52	SMART	R45,R46
51	0RD2001G609	RESISTOR,FIXED CARBON FILM	2K OHM 1/4 W 5% TA52	SMART	R19,R38
52	0RD3901G609	RESISTOR,FIXED CARBON FILM	3.9K OHM 1/4 W 5% TA52	SMART	R15
53	0RD4701G609	RESISTOR,FIXED CARBON FILM	4.7K OHM 1/4 W 5% TA52	SMART	R4,14,20,22,23,33
54	0RD5603H609	RESISTOR,FIXED CARBON FILM	560K OHM 1/2 W 5% TA52	SMART	R2
55	0RH1000L622	RESISTOR,METAL GLAZE(DCHIP)	100 OHM 1/8 W 5% 2012 R/TP	RDHM	R36
56	0RH1001L622	RESISTOR,METAL GLAZE(DCHIP)	1K OHM 1/8 W 5% 2012 R/TP	RDHM	R9
57	0RH1002L622	RESISTOR,METAL GLAZE(DCHIP)	10K OHM 1/8 W 5% 2012 R/TP	RDHM	R13,R16,R47
58	0RH1004L622	RESISTOR,METAL GLAZE(DCHIP)	100 OHM 1/8 W 5% 2012 R/TP	RDHM	R11
59	0RH1801L622	RESISTOR,METAL GLAZE(DCHIP)	1.8K OHM 1/8 W 5% 2012 5.00% D	RDHM	R7
60	0RH2001L622	RESISTOR,METAL GLAZE(DCHIP)	2K OHM 1/8 W 5% 2012 R/TP	RDHM	R35,R37,R39-R44
61	0RH2200L622	RESISTOR,METAL GLAZE(DCHIP)	220 OHM 1/8 W 5% 2012 R/TP	RDHM	R10
62	0RH3300L622	RESISTOR,METAL GLAZE(DCHIP)	330 OHM 1/8 W 5% 2012 R/TP	RDHM	R17
63	0RH4701L622	RESISTOR,METAL GLAZE(DCHIP)	4.7K OHM 1/8 W 5% 2012 R/TP	RDHM	R10, R21, R34
64	0RJ032E672	RESISTOR,METAL GLAZE(DCHIP)	33 OHM 1/8 W 5% 2012 R/TP	RDHM	R5
65	0RJ150H672	RESISTOR,METAL GLAZE(DCHIP)	1.5K OHM 1/2 W 5% 2012 R/TP	RDHM	R18
66	0RJ2200H672	RESISTOR,METAL GLAZE(DCHIP)	220 OHM 1/2 W 5% 2012 R/TP	RDHM	R32
67	0RJ2401E472	RESISTOR,METAL GLAZE(DCHIP)	2.4K OHM 1/8 W 1% 2012 R/TP	RDHM	RL2
68	0RJ6800E672	RESISTOR,METAL GLAZE(DCHIP)	680 OHM 1/8 W 5% 2012 R/TP	RDHM	R6
69	0RJ2400H672	RESISTOR,METAL GLAZE(DCHIP)	240 OHM 1/2 W 5% 2012 R/TP	RDHM	R25-R31
71	0RD2400G609	RESISTOR,METAL GLAZE(DCHIP)	240 OHM 1/2 W 5% TA52	SMART	R24
72	0RJ101F47P	RESISTOR,METAL GLAZE(DCHIP)	9.1K OHM 1/8 W 1% 2012 R/TP	RDHM	R1
73	0RN1002G409	RESISTOR,FIXED METAL FILM	10K OHM 1/4 W 1.00% TA52	SMART	R11
74	0RN1622G409	RESISTOR,FIXED METAL FILM	16.2K OHM 1/4 W 1.00% TA52	SMART	RF 1
75	0RN2612G409	RESISTOR,FIXED METAL FILM	26.1K OHM 1/4 W 1.00% TA52	SMART	RF1,RF11
76	0RS010J609	RESISTOR,FIXED METAL OXIDE FILM	1 OHM 1 W 5.00% TA52	SMART	R0CP
77	0RS0470J609	RESISTOR,FIXED METAL OXIDE FILM	0.47 OHM 1 W 5% TA52	SMART	R0CP
78	0RS1503J609	RESISTOR,FIXED METAL OXIDE FILM	150K OHM 1 W 5.00% TA52	SMART	R1
79	0RS5602K641	RESISTOR,FIXED METAL OXIDE FILM	56K OHM 2 W 5.00% F20	SMART	R3
80	0RS8202J609	RESISTOR,FIXED METAL OXIDE FILM	82K OHM 1 W 5.00% TA52	SMART	R1
81	0LR1001M4F0	INDUCTOR,RADIAL LEAD	1000UH 20% R 6X12.5 BULK	TNC	L3
82	0TR319809AA	TRANSISTOR	KTC3198-TP-Y (KTC1B15)KEC	KEC	Q3,Q4
83	0TRKE0000BA	TRANSISTOR,BIPOLARS	KEC KT8151 BK 10H26 60V 5A	KEC	Q2
84	0TRKF0000BA	TRANSISTOR,BIPOLARS	KEC KR7063 R/TP SDT23 50V 100MA	KEC	Q1
85	0F4Z30001A	FUSE,DRAWING	2A 250V - SLOW-BLOW LITTELFUSE,TRIAD	SAM JU KYO YUK	FUSE1
86	6200JB0004A	FILTER(CIRC),EMC	CV940050 TNC - -	TNC	L1
87	6200JB0007X	FILTER(CIRC),EMC	UV11-05320 TNC BK 0.5A 320MH	TNC	L2
88	6210JB0001A	FILTER(CIRC),EMC	RFS3510A0,SAMWHA TP52,READ FILTER	SAM WHA	FBI
89	6854B50001A	JUMP WIRE	0.6MM 52MM TP TAPING SN	DAE A LEAD	J27(BMM) J8-11,03-07,14,16,18,22-26(10MM) J01,01,12,13,15,17,19,20(12.5MM) J2(15MM)
90	6600RR1001Z	SWITCH,TACT	JTP1280A6 JFII 12VDC 50MA -	JFII	SW1
91	6908JB3002D	BUZZER	PQ272207P1 -20C-2000 SUNWAY PIEZO PKHZ 80DB (CHINA)	SUN WAY	BUZ2
92	4920JB3007A	HEAT SINK	P33M1M25 DRIVE IC STR-S64.65.73 2PIN 1-SCREW 3MM -	(IC2)	(IC2)
93	158F0302418	SCREW,TAP TITE(SS),BINDING HEAD	M 03.0 1.80 MSWR3/F2	HAENG SUNG	
94	49111004	SOLDER,SOLDERING	NA HEE SUNG METAL BAR SN 63% NA		
95	59333105	FILDS	JS-71 KUKI SAMEI KOREAKSXS 5G(0.808 +/-0.003		
96	9VVF0120000	SOLDER(KROSIN WIRE) R50	DI.20		

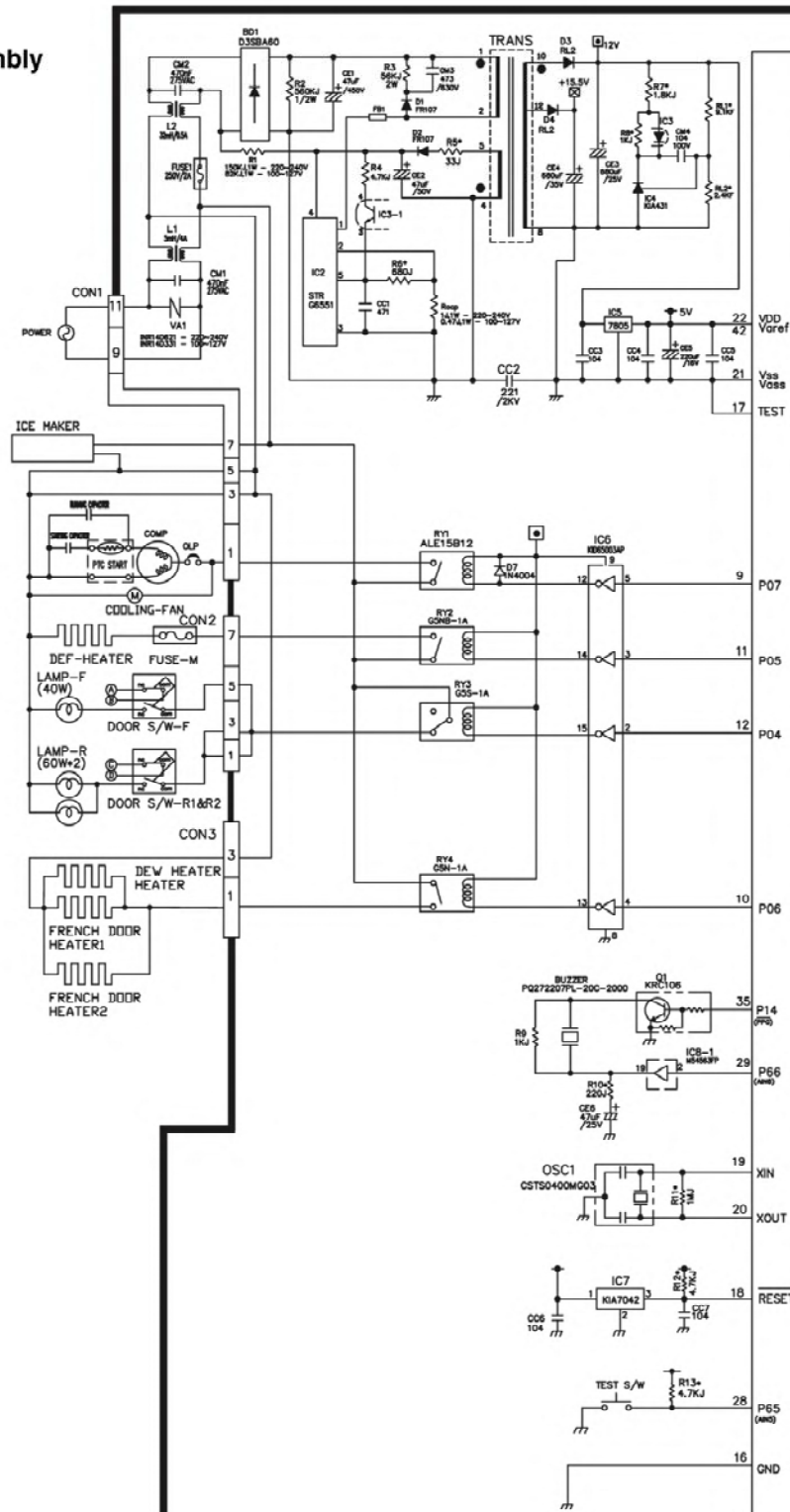
8-5-3 PWB Assembly, Display, And Parts List



No	P/NO	DESCRIPTION	SPEC	MAKER	REMARK
1	6870JB8090A	PWB(PCB)	KS-PJT DISPENSER DISPLAY	DDO SAN	-
2	-	-	-	-	-
3	6630JB8005D	WAFER	SMAW250-11	YEON HO	CON101
4	6630JB8004U		SMAW250-06		CON102
5	6600JB8005A	SWITCH,TACT	KPT-1105A	KYUNG IN	SW102~105
6	6600RRT002K		JTP1230A JEIL 12V DC 50MA	JEIL	
7	6600JB8004A	TACT S/W	KPT-1109R	KYUNG IN	SW106
8	-	TACT S/W	KPT-1109G	KYUNG IN	
9	6327JB8001A	DISPLAY LED ASSEMBLY	LN4023-13EWR5 GREEN 2.1V 1.7MCD	LEDTECH	SEG1,SEG2
10	0DLLE0059AA	LED	LT8323-41-BCN 2.1V D3 TP GREEN		L102~105
11	0DD414809AA	DIODE,SWITCHING	1N4148 26MM	PYUNG CHANG	D107~113
12	0DD400400A		1N4004	DELTA	D101~106
13	6854B50001A	JUMP WIRE	0.6MM 52MM TP TAPING SN(10MM)	-	J01~06,J08~13
14	9VWF0120000	SOLDER(R05IN WIRE) R50	D1.20	HEE SUNG	-
15	49111004	SOLDER,SOLDERING	H63A	-	-
16	59333105	FLUX	SGJ0.825-0.830 KOREA F.H-206	KDKI	-

8-6 PWB DIAGRAM

8-6-1 PWB Main Assembly



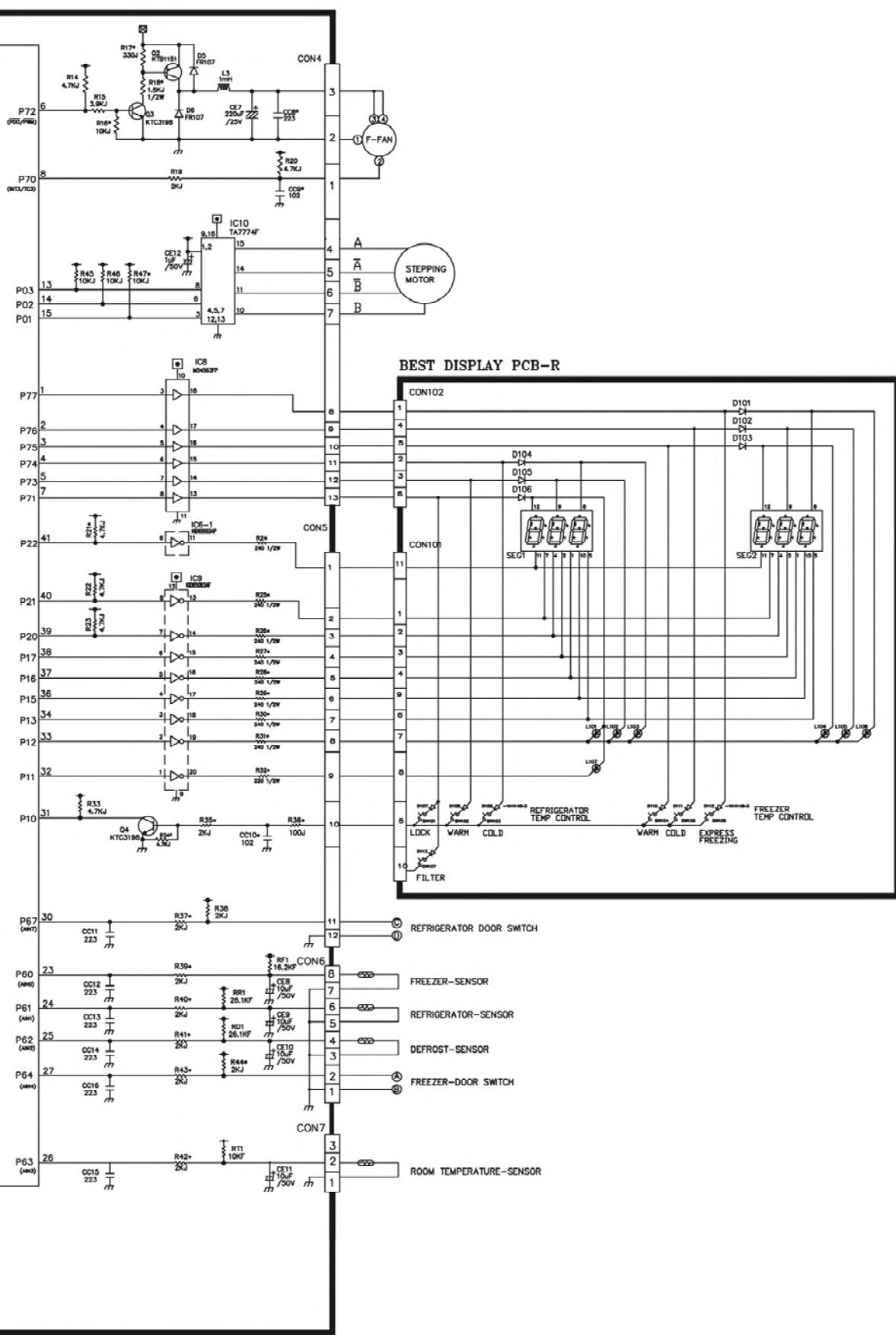
TOSHIBA TMP87C846N(IC1)

PWB ASSY,MAIN

*:SMD부품임.

FIG.1

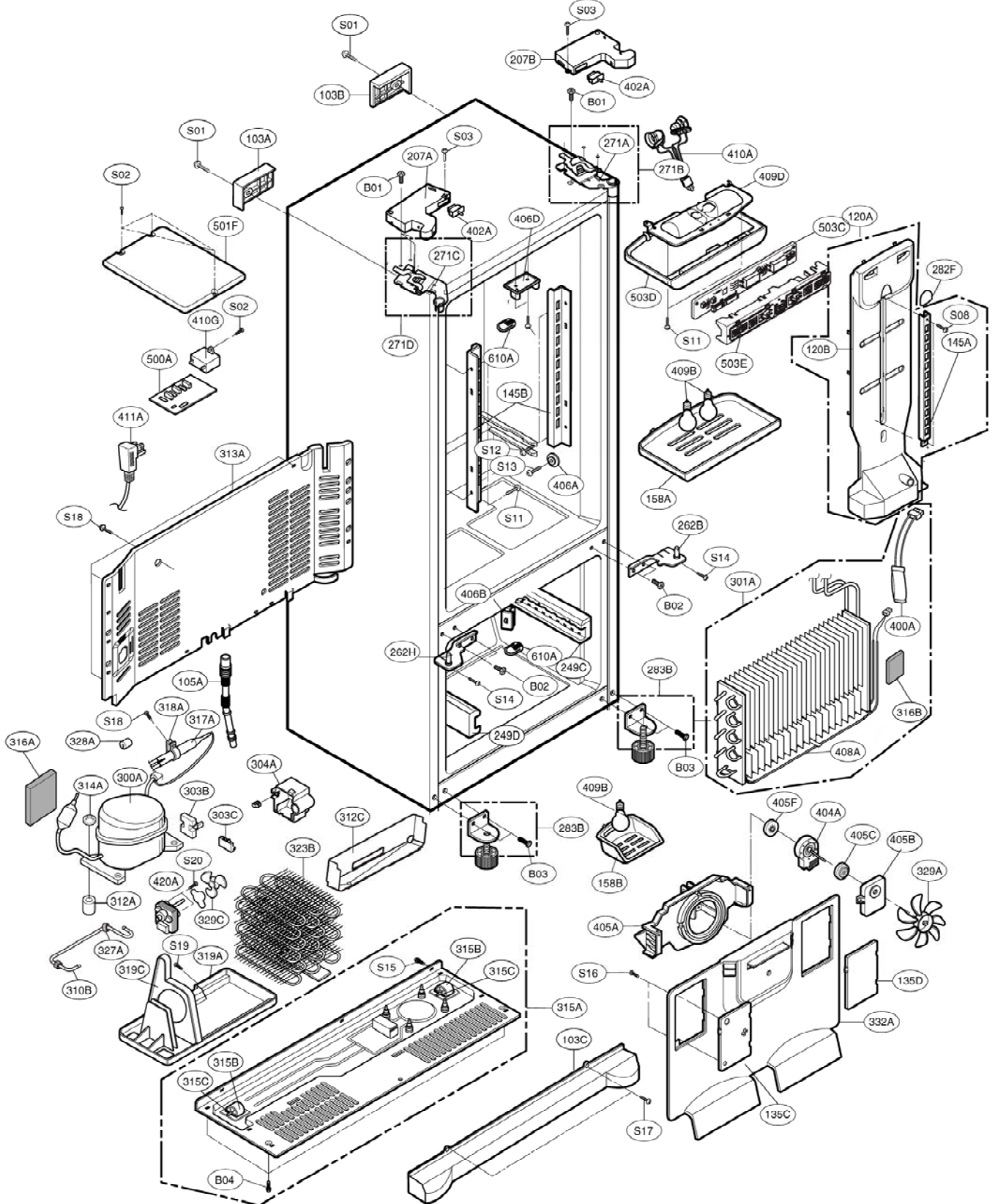
TOSHIBA TMP87C846N(1C1)



9. EXPLODED VIEW & REPLACEMENT PARTS LIST

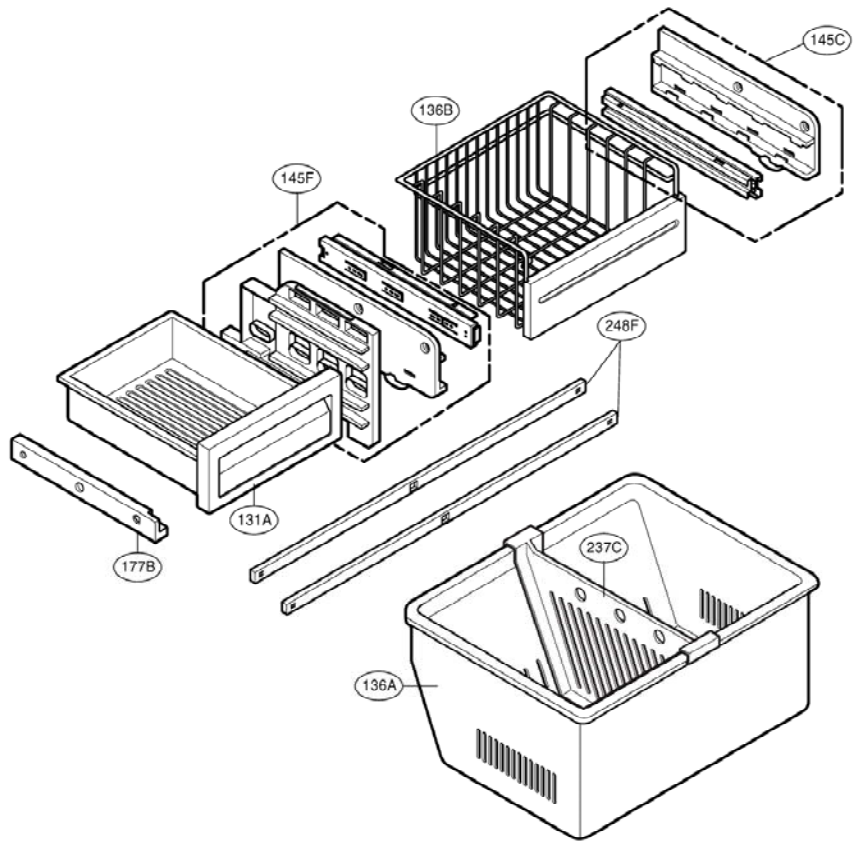
CASE PARTS

CAUTION: Use the part number to order part, not the position number.



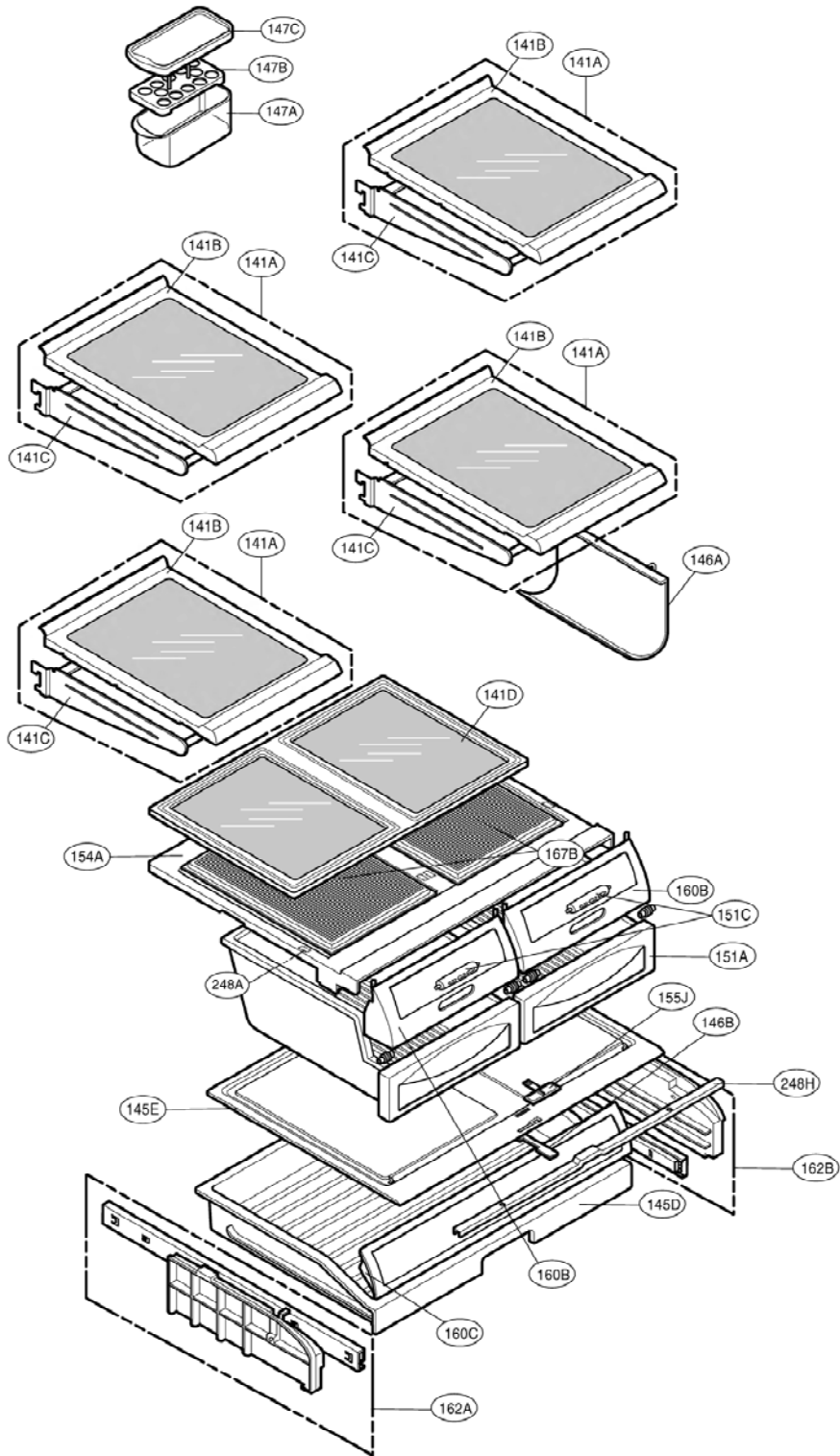
FREEZER PARTS

CAUTION: Use the part number to order part, not the position number.



REFRIGERATOR PARTS

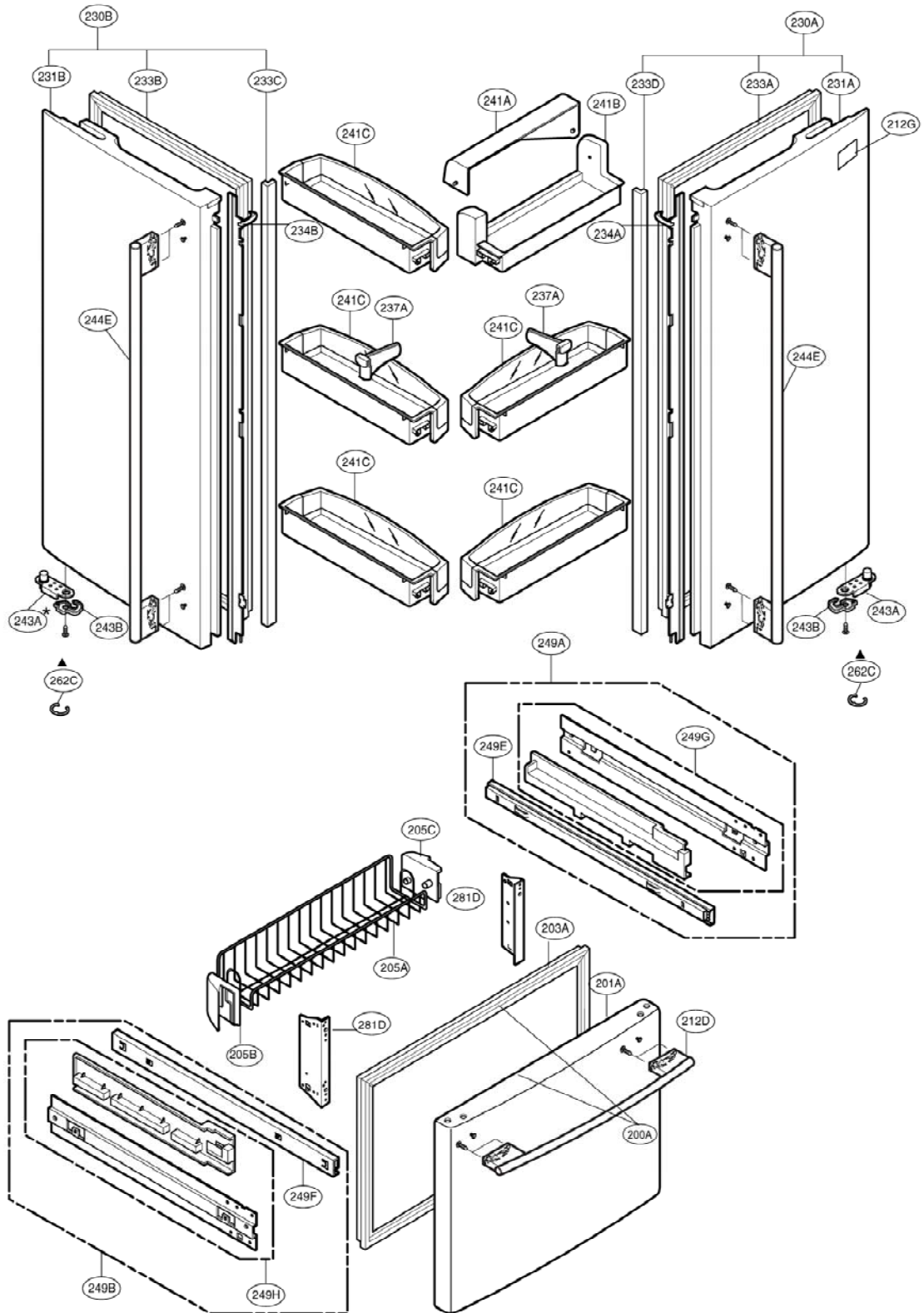
CAUTION: Use the part number to order part, not the position number.



* : only LRFC21750**

DOOR PARTS

CAUTION: Use the part number to order part, not the position number.

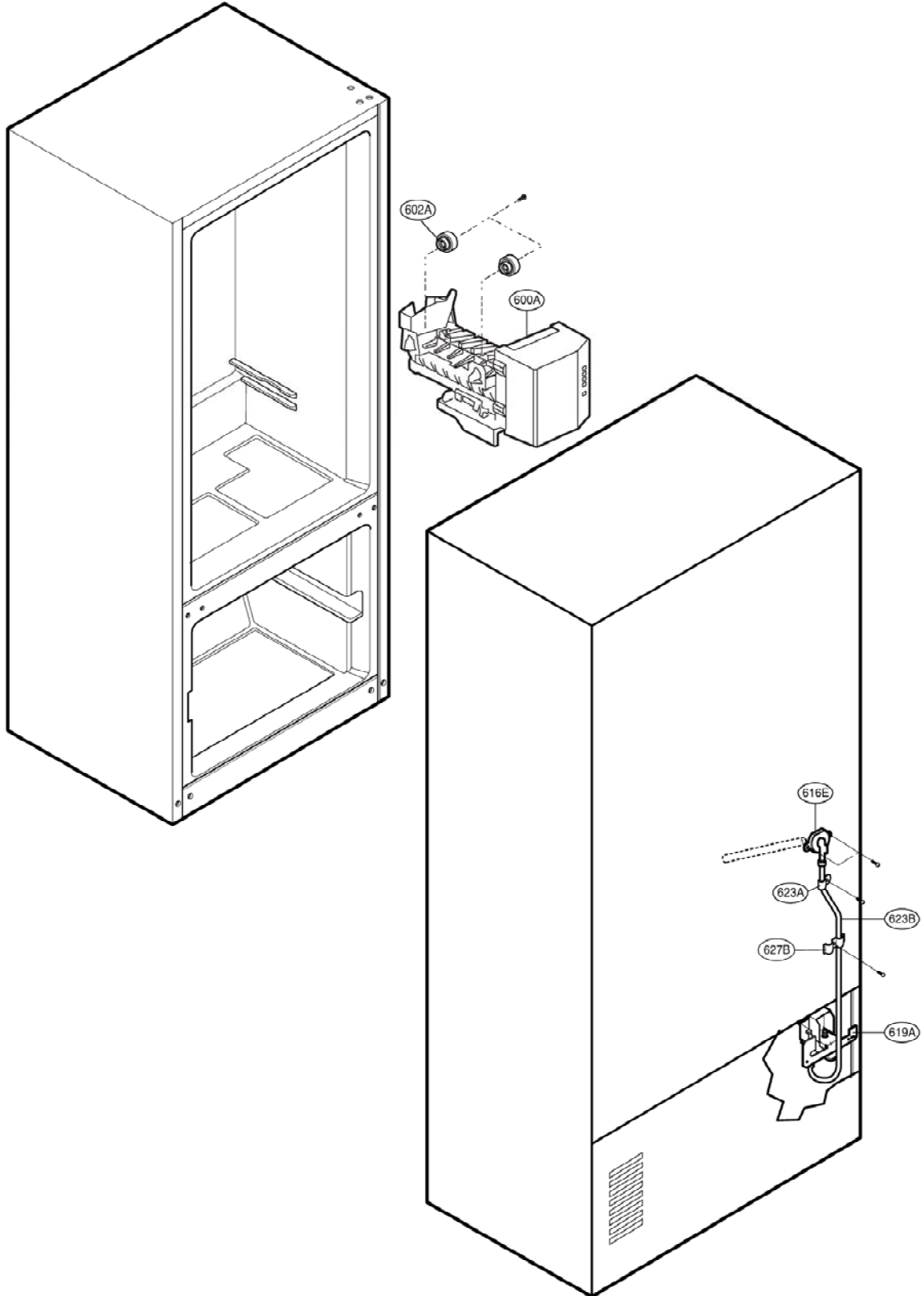


* : only LRFC25750**

▲ Only for the service

ICE & MAKER PARTS

CAUTION: Use the part number to order part, not the position number.





P/No. 3828JL8031A

NOV., 2004 Printed in Korea