

DeLonghi

UTILITY HEATER

INSTRUCTION MANUAL
SAVE THESE INSTRUCTIONS

RADIATEUR SOUFFLANT

MODE D'EMPLOI
CONSERVEZ CE MODE D'EMPLOI

CALEFACTOR VENTILADOR

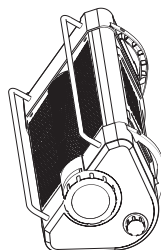
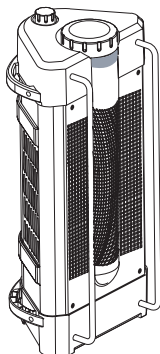
INSTRUCCIONES PARA EL USO
REPASE Y GUARDE ESTAS INSTRUCCIONES

TERMOVENTILATORE

ISTRUZIONI D'USO
CONSERVARE LE PRESENTI ISTRUZIONI

Model/Modèle/Modelo/Modello

MCH 710T



Register this product on-line and receive a free trial issue of Cook's Illustrated. Visit www.delonghiregistration.com
Visit www.delonghi.com for a list of service centers near you. (U.S. Only)

Enregistrez ce produit en ligne et recevez un numéro gratuit de Cook's Illustrated. Visitez www.delonghiregistration.com
Visitez www.delonghi.com pour y voir une liste des centres de réparation proches de chez vous. (É.-U. uniquement).

Registre este producto en línea y reciba un ejemplar gratis de Cook's Illustrated. Visite www.delonghiregistration.com
Visite www.delonghi.com para ver la lista de centros de servicios cercanos a usted. (Solamente en los Estados Unidos)

Registra questo prodotto "on-line" per ricevere una copia omaggio della rivista. Visita www.delonghiregistration.com
Visita www.delonghi.com per una lista dei centri di servizio a te più vicini. (Solo negli Stati Uniti).

ELECTRONIC CHARACTERISTICS/CARACTÉRISTIQUES ÉLECTRONIQUES
CARACTERÍSTICAS ELECTRICAS/CARATTERISTICHE ELETTRICHE
120V~60Hz 1500W

Timer
Bouton Minuterie
Temporizador
Timer

Function selector knob
Bouton sélecteur de fonctions
Perilla de selección de funciones
Manopola selettore funzioni

Power ON light
Témoïn de mise sous tension
Piloto de encendido
Lampada spia accensione

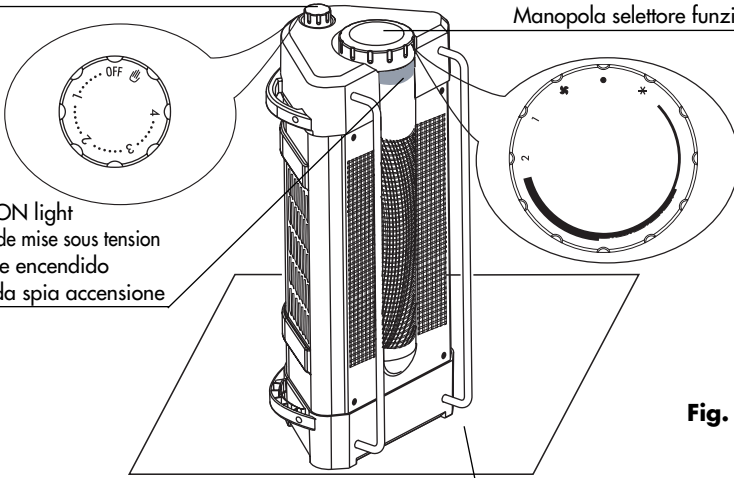


Fig. 1

Spacer bars
Liteaux d'écartement
Barras separadoras
Barre distanziatrici

Carrying handles
Poignées de transport
Manijas para transporte
Maniglie per trasporto

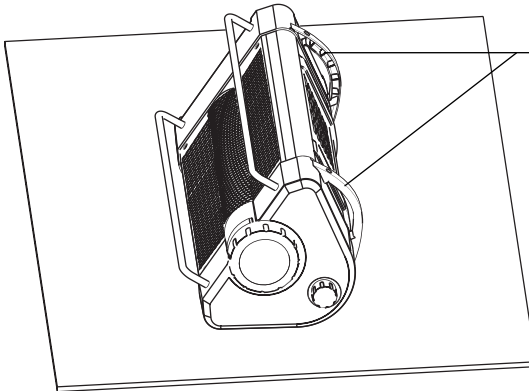


Fig. 2



IMPORTANT SAFEGUARDS

When using electrical appliances, some basic safety precautions should be observed to reduce the risk of fire, electric shock, and/or injury to persons. Specifically:

1. Read all instructions carefully before using the appliance.
2. This appliance gets very hot when in use. To prevent burns, do not touch hot surfaces with bare skin. Use handles when moving the heater. Keep flammable materials such as furniture, pillows, bedding, paper, clothing and curtains at least 3 feet (90 cm) from the front and top of heater, and also avoid contact with the sides and back.
3. It can be very dangerous to leave the appliance unattended while in operation when children or disabled persons are present.
4. Always disconnect the plug from the power outlet when the appliance is not in use.
5. **Do not operate the appliance with a damaged cord or plug, after faulty operation, or when it has been damaged in any way. Return the heater to the nearest authorized service facility for examination, adjustment of the electrical or mechanical parts, or for any repairs.**
6. Do not use the appliance outdoors.
7. Do not use the heater in bathrooms, laundry rooms, or similar indoor areas. Never position the heater where it could fall into a bathtub or other water container.
8. **Do not run power cord under carpeting. Do not cover cord with throw rugs, runners, or similar items. Keep the cord away from passageways where it could be tripped over.**
9. To disconnect the appliance, turn controls to off, then remove the plug from the wall outlet.
10. Do not insert or allow foreign objects to get into the air intake or outlet vents, as this may cause electric shock, fire, or damage to the appliance.
11. To prevent the risk of fire, do not obstruct the air intakes or exhaust in any way. Do not place the appliance on soft surfaces, such as a bed, where openings could be obstructed.
12. **The internal parts of the appliance can get very hot or produce sparks during operation. Therefore, do not use the heater in rooms where gasoline, varnish, or other flammable liquids are used or stored.**
13. Use the appliance only as described in this manual. Any other use not recommended by the manufacturer may cause fire, electric shock, or personal injury.
14. To prevent current overload and blown fuses, make sure that no other appliance is plugged into the same outlet or into another outlet on the same circuit.
15. It is normal for the plug and cord of the heater to feel warm to the touch during normal operation. However, an excessively hot or deformed plug or cord is not normal and may be the result of a defective electrical outlet. Defective outlets must be replaced before using the appliance. Repeated use of defective outlets may cause the cord to overheat, with the risk of causing a fire.
16. **We do not recommend using extension cords, which can overheat and increase the risk of fire. However, an extension cord with 14 AWG gauge or larger and rating of no less than 1875 W may be used if necessary, but should not be shared with other electrical appliances.**
17. Make sure that the power cord plug is fully inserted into the outlet. Wall outlets may deteriorate with time, so check the plug periodically for signs of overheating or deformation, in which case stop using the outlet and have it repaired.
18. Check that neither the appliance nor the power cord has been damaged during shipping.
19. **The first time the heater is turned on, run it at maximum power for at least 2 hours. During this time, ventilate the room well to eliminate the odor of "newness" emitted by the appliance. It is normal for the appliance to make "creaking" sounds the first time it is turned on.**
20. **CAUTION:** To prevent electric shock, make sure the wide prong of the plug is inserted in the wide slot of the outlet. Do not open the appliance. No user-serviceable parts inside.
21. Do not cover the appliance while in operation, which could cause overheating and the risk of fire.

SAVE THESE INSTRUCTIONS

This product is equipped with a polarized AC plug (a plug with one prong larger than the other). The plug will fit into the power outlet in only one way. This is an important safety feature. If you are unable to insert the plug fully into the outlet, try reversing it. If the plug still fails to fit correctly, contact an electrician to replace your obsolete outlet. Do not attempt to modify the plug to bypass this safety feature.

Voltage Wattage

See rating plate

ELECTRICAL CONNECTION

The heater must be connected to a polarized 110/120 V household outlet in perfect working order. When the appliance is connected, keep clothes, linens, furnishings, and any other flammable materials at a proper safety distance.

INSTALLATION


The appliance may only be used as a portable heater; it can be positioned on any hard supporting surface, provided the surface is leveled.



The heater can operate in both the vertical position (see Fig.1) and the horizontal position (see Fig. 2), making sure that the air intake grill is turned upward.

Do not place the appliance directly underneath an electrical outlet.

OPERATION:

MANUAL OPERATION


Turn the TIMER knob to the "manual" position .

- **Summer ventilation function:** turn the function selector knob to . (The red LED lights up.)
- **Minimum power setting:** turn the knob to position **1**. (The red LED is on.)
- **Maximum power setting:** turn the knob to position **2**. (The red LED is on.)
- **Turning the heater off:** turn the function selector knob to  (the red LED will go off) and the TIMER knob to **OFF**.

TIMER OPERATION

Turn the function selector knob to the position desired, selecting the minimum or maximum power. Then turn the TIMER knob to the desired position (1, 2, 3 or 4 hours).

The appliance will then operate for the time selected.

To turn off the appliance, turn the function selector knob to  position (the red LED will go off) and the TIMER knob to **OFF**.

CLEANING AND MAINTENANCE

Always remove the plug from the outlet and let the heater cool down before cleaning. Clean with a soft damp cloth only; do not use detergents or scrubbing powders. Use a vacuum cleaner to clean the air intake and outlet grills regularly during the period of use. If the heater is not going to be used for a certain length of time, store it in a dry place. This appliance has a sturdy construction designed for many years of service. In the event of malfunction, do not attempt to repair the heater yourself, as this may result in fire or electric shock. Call the nearest service facility (see the enclosed list of service centers).

A **safety device** shuts down the heater in the event of overheating (e.g. obstruction of the air intake and outlet grilles, motor running slowly or not running). To restore operation, remove the plug from the outlet for a few minutes, eliminate the cause of the **overheating**, then plug it back in.

Note: To prevent overheating and the risk of fire, never cover the appliance while it is in operation.



This warranty applies to all products with De'Longhi or Kenwood brand names.

Limited Warranty

What does the warranty cover?

We warrant each appliance to be free from defects in material and workmanship. Our obligation under this warranty is limited to repair at our factory or authorized service center of any defective parts or part thereof, other than parts damaged in transit. In the event of a products replacement or return, the unit must be returned transportation prepaid. The repaired or new model will be returned at the company expense.

This warranty shall apply only if the appliance is used in accordance with the factory directions, which accompany it, and on an Alternating current (AC) circuit.

How long does the coverage last?

This warranty runs for one year (1) from the purchase date found on your receipt and applies only to the original purchaser for use.

What is not covered by the warranty?

The warranty does not cover defects or damage of the appliance, which result from repairs or alterations to the appliance outside our factory or authorized service centers, nor shall it apply to any appliance, which has been subject to abuse, misuse, negligence or accidents. Also, consequential and incidental damage resulting from the use of this product or arising out of any breach of contract or breach of this warranty are not recoverable under this warranty. Some states do not allow the exclusion or limitation of incidental or consequential damage, so the above limitation may not apply to you.

How do you get service?

If repairs become necessary, see contact information below:

U.S. Residents:

Please contact our toll free hotline at 1-800-322-3848 or log onto our website at www.delonghi.com.

For all accessories, spare parts or replacement parts, please contact our parts division at 1-800-865-6330.

Residents of Canada: Please contact our toll free hotline at 1-888-335-6644 or log onto our website at www.delonghi.com.

Residents of Mexico: Please refer to the Limited Warranty statement for Mexico.

Please refer to the back page of the manual for De'Longhi addresses.

The above warranty is in lieu of all other express warranties and representations. All implied warranties are limited to the applicable warranty period set forth above. This limitation does not apply if you enter into an extended warranty with De'Longhi. Some states do not allow limitations on how long an implied warranty lasts, so the above exclusions may not apply to you. De'Longhi does not authorize any other person or company to assume for it any liability in connection with the sale or use of its appliance.

How does state law apply?

This warranty gives you specific legal rights, and you may also have other rights, which vary from state to state.