

This Owner's Manual is provided and hosted by [Appliance Factory Parts](#).



# DE'LONGHI PRO300 Owner's Manual

[Shop genuine replacement parts for DE'LONGHI  
PRO300](#)



[Find Your DE'LONGHI Small Appliance Parts - Select From 131 Models](#)

----- Manual continues below -----

**IMPORTANT INSTRUCTIONS  
SAVE THESE INSTRUCTIONS**

**MODE D'EMPLOI  
CONSERVEZ LE MANUEL**

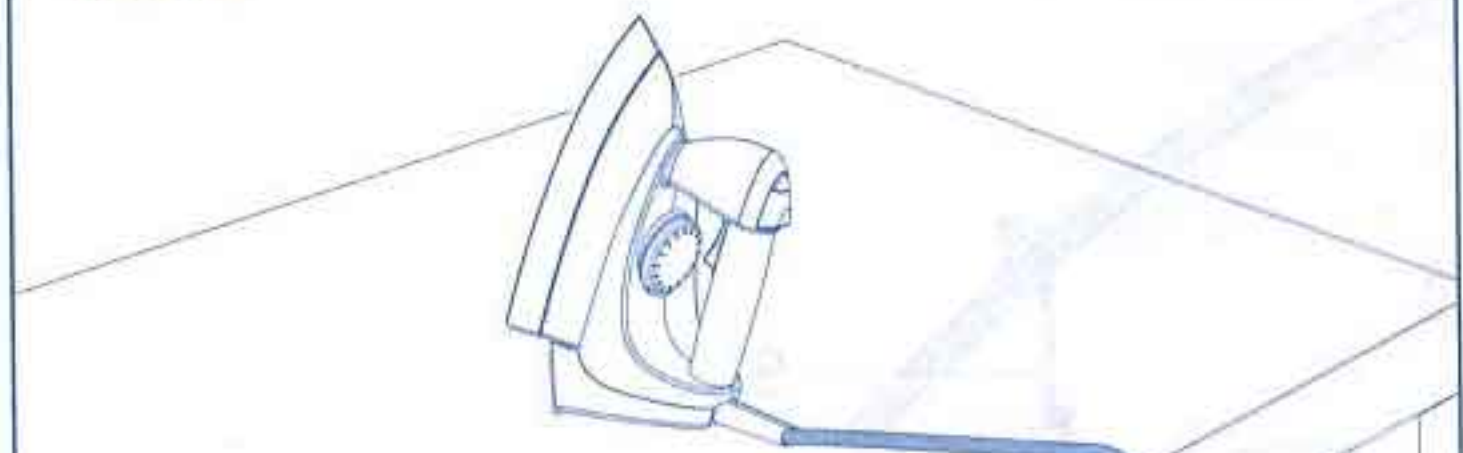
**INSTRUCCIONES  
REPASE Y GUARDE  
LEA ESTAS INSTRUCCIONES  
APARATO**

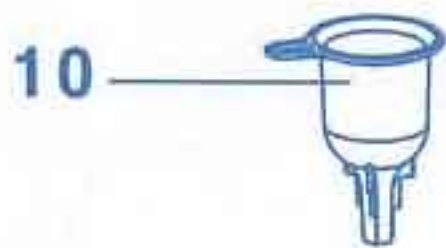
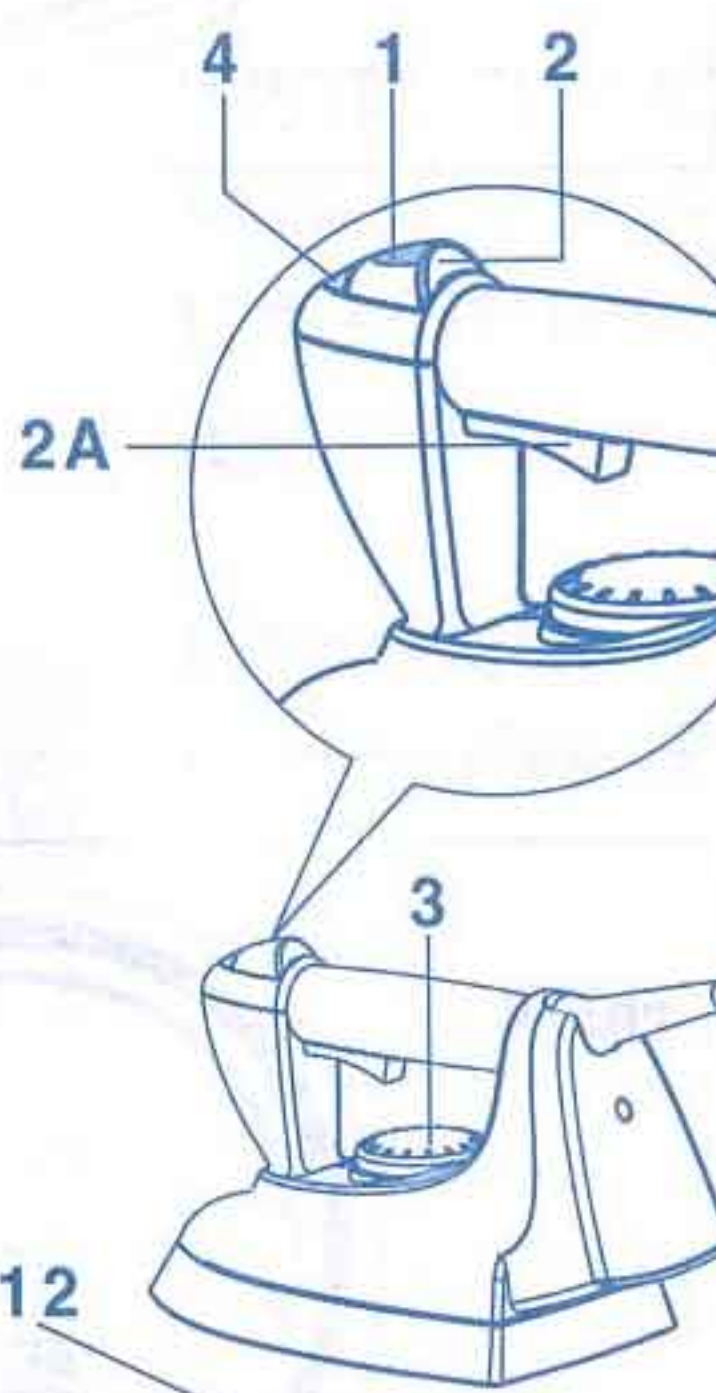
**ISTRUZIONI IMPIEGHO  
CONSERVARE IL MANUALE**

FIG. 1



FIG. 3





# IMPORTANT SAFETY

When using electrical appliances, basic safety precautions are as follows:

## READ ALL INSTRUCTIONS

---

1. Use appliance only for its intended use.
2. To protect against a risk of electric shock, do not immerse the appliance in water or other liquids.
3. The appliance should always be turned to "Off" before plugging or unplugging from outlet. Never yank cord to disconnect from outlet; instead, grasp plug and pull to disconnect.
4. Do not allow cord to touch hot surfaces. Let appliance cool completely before putting away. Loop cord loosely around appliance when storing.
5. Always disconnect appliance from electrical outlet when filling with water or emptying and when not in use.
6. Do not operate appliance with a damaged cord or if the appliance has been dropped or damaged. To avoid the risk of electric shock, do not disassemble the appliance, take it to an authorised Customer Service Centre for examination and repair.

However, the appliance should be drained of water if left unused for long periods.

- Separate clothes according to the recommended ironing temperature and begin ironing with items requiring the lowest temperatures.
- Silk may be dry-pressed on the reverse.
- Wool, cotton and fine linen can either be steam-ironed on the reverse or on the right side, interposing a thin cloth between the iron and the fabric to avoid "shine".
- Starched fabrics require greater moisture.
- Iron whites and light colours on the right side and dark colours on the reverse. Embroidery should also be ironed on the reverse to make it stand out.
- Linen can be steam-ironed with abundant steam. Iron dark colours on the reverse to avoid "shine".
- Iron lapels on the right side to make them stand out.
- Each time the iron is used (including for the first time) or if you have not used the steam for several minutes, press the steam button several times away from the ironing board.
- This will eliminate cold water from the steam



This warranty applies to all products with De

## **LIMITED WARRANTY**

---

### **What does the warranty cover?**

We warrant each appliance to be free from defects in materials and workmanship. The warranty under this warranty is limited to repair at our expense. If the repair of any major parts or part thereof, other than parts damaged in transit, is required, the unit must be returned transported to our factory. The unit must be returned transported at the company expense.

This warranty shall apply only if the appliance is used in accordance with the instructions which accompany it, and on an Alternating Current (AC) power supply.

### **How long does the coverage last?**

This warranty runs for three years ( 3 ) from the date of purchase. The warranty is valid only to the original purchaser for use.

### **What is not covered by the warranty?**

The warranty does not cover defects or damage to the appliance outside our factory. The warranty does not cover damage to the appliance, which has been subject to abuse, misuse, or accident, and incidental damage resulting from the use of the appliance. The terms and conditions of this warranty are not restricted by the exclusion or limitation of incidental or consequential damages.