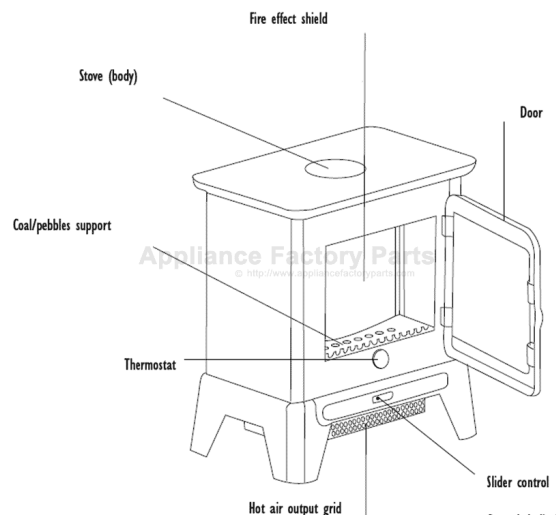


This Owner's Manual is provided and hosted by [Appliance Factory Parts](http://www.appliancefactoryparts.com).



# DE'LONGHI SFG1031 Owner's Manual

**[Shop genuine replacement parts for DE'LONGHI SFG1031](#)**



**[Find Your DE'LONGHI Electric Range Parts - Select From 1 Models](#)**

----- Manual continues below -----



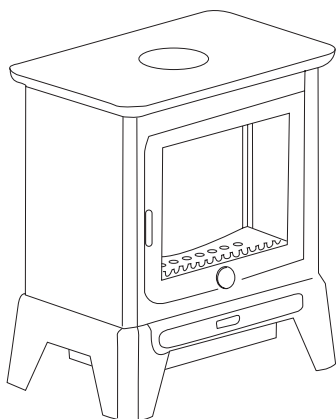
**ELECTRIC STOVE  
INSTRUCTIONS FOR USE  
SAVE THESE INSTRUCTIONS**

**POËLE ÉLECTRIQUE  
MODE D'EMPLOI  
CONSERVEZ CE MODE D'EMPLOI**

**CHIMENEA ELÉCTRICA  
INSTRUCCIONES DE USO  
GUARDE ESTAS INSTRUCCIONES**

**CAMINETTO ELETTRICO  
ISTRUZIONI PER L'USO  
CONSERVARE LE PRESENTI ISTRUZIONI**

**TYPE/MODELE/MODELO/MODELLO:  
SFG1031**



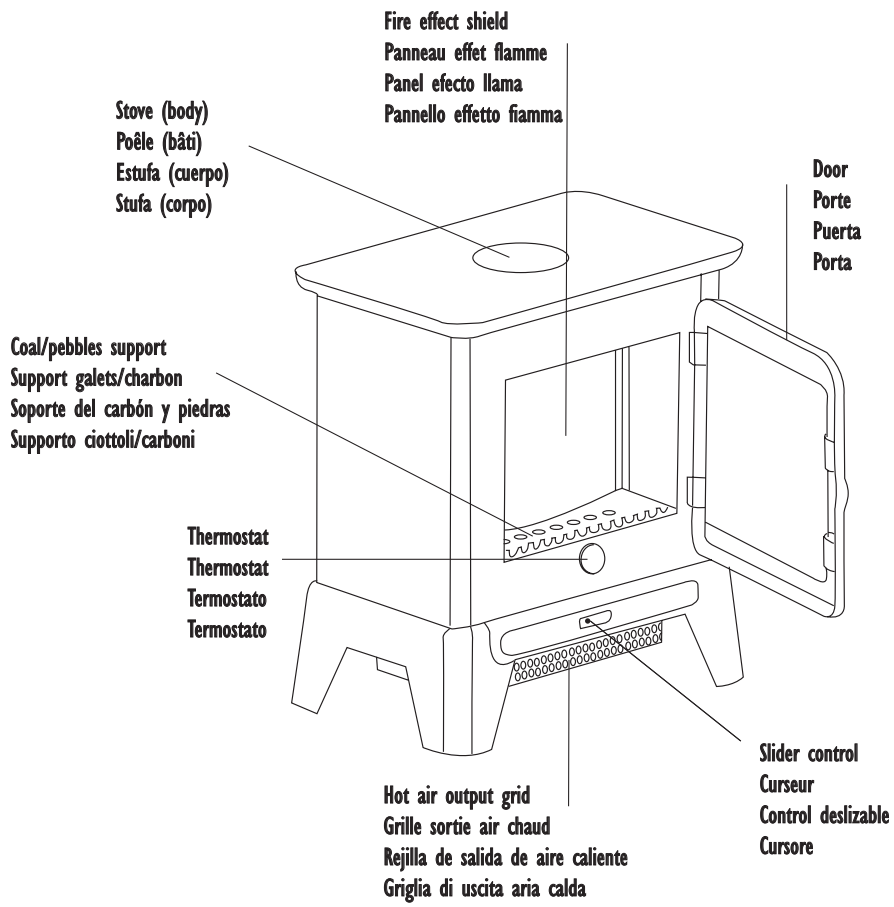
Register this product on-line and receive a free trial issue of Cook's Illustrated.  
Visit [www.delonghiregistration.com](http://www.delonghiregistration.com)  
Visit [www.delonghi.com](http://www.delonghi.com) for a list of service centers near you. (U.S. Only)

Enregistrez ce produit en ligne et recevez un numéro gratuit de Cook's Illustrated.  
Visitez [www.delonghiregistration.com](http://www.delonghiregistration.com)  
Visitez [www.delonghi.com](http://www.delonghi.com) pour y voir une liste des centres de réparation proches de chez vous. (E.-U. uniquement)

Registre este producto en línea y reciba un ejemplar gratis de Cook's Illustrated.  
Visite [www.delonghiregistration.com](http://www.delonghiregistration.com)  
Visite [www.delonghi.com](http://www.delonghi.com) para ver la lista de centros de servicios cercanos a usted. (Solamente en los Estados Unidos)

Registra questo prodotto "on-line" per ricevere una copia omaggio della rivista "Cook's Illustrated". Visita [www.prodregister.com/delonghi](http://www.prodregister.com/delonghi). Visita per una lista dei centri di servizio a te più vicini. (Solo negli Stati Uniti)

**ELECTRONIC CHARACTERISTICS/CARACTÉRISTIQUES ÉLECTRONIQUES  
CARACTERÍSTICAS ELÉCTRICAS/CARATTERISTICHE ELETTRICHE  
120V~ 60Hz 1500W**



# IMPORTANT SAFEGUARDS



When using electrical appliances, basic precautions should always be followed to reduce risk of fire, electric shock, and injury to persons, including the following:

1. Read all instructions before using this heater.
2. If your appliance is equipped with a polythene tape used as carry handle, remove it before connecting appliance to the outlet.
3. This heater is hot when in use. To avoid burns, do not let bare skin touch hot surfaces.
4. The front side of the heater must be positioned at least at 2 feet from walls, surfaces or other objects that can restrain the air flow.
5. Extreme caution is necessary when any heater is used by or near children and whenever the heater is left operating unattended.
6. Always unplug heater when not in use.
7. **Do not operate any heater with a damaged cord or plug or after the heater malfunctions, has been dropped or damaged in any manner. Return heater to an authorized service facility for examination, electrical or mechanical adjustment, or repair.**
8. Do not use outdoors.
9. This heater is not intended for use in bathrooms, laundry areas and similar indoor locations. Never position the heater where it may fall into a bathtub or other water container.
10. **Do not run power cord under carpeting. Do not cover cord with throw rugs, runners, or the like. Keep the cord away from traffic areas where it could be tripped over.**
11. To disconnect heater, turn controls to off, then remove plug from outlet.
12. Connect to properly polarized outlets only.
13. Do not insert or allow foreign objects to enter any ventilation or exhaust opening as this may cause an electric shock, fire, or damage the heater.
14. To prevent a possible fire, do not block air intakes or exhaust in any manner.
15. **The internal parts of the appliance can get very hot. Do not use it in areas where gasoline, paint, or flammable liquids are used or stored.**
16. Use this heater only as described in this manual. Any other use not recommended by the manufacturer may cause fire, electric shock, or injury to persons.
17. To prevent overload and blown fuses, be sure that no other appliance is plugged into the same outlet (receptacle) or into another outlet (receptacle) wired into the same circuit.
18. It is normal for the plug and cord of the heater to feel warm to the touch during normal operation. However, an excessively hot or deformed plug or cord is not normal and may be the result of a defective electrical outlet. Defective outlets must be replaced prior to further use of the heater. Repeated use of defective outlets may cause the cord to overheat, with the risk of causing a fire.
19. **We do not recommend using extension cords, which can overheat and increase the risk of fire. However, an extension cord with 14 AWG gauge or larger and rating of no less than 1875 W may be used if necessary, but should not be shared with other electrical appliances.**
20. Make sure that the power cord plug is fully inserted into the outlet. Wall outlets may deteriorate with time, so check the plug periodically for signs of overheating or deformation, in which case stop using the outlet and have it repaired.
21. Check that neither the appliance nor the power cable have been damaged in any way during transportation.
22. Make sure that no pieces of polystyrene or other packaging material are left in ventilation or exhaust openings.
23. **When switching on the appliance for the first time, allow it to run at full power for about two hours to get rid of possible unpleasant smell. Make sure that the room in which the appliance is placed is well ventilated during this operation.**
24. **CAUTION:** to prevent electric shock, make sure the wide prong of the plug is inserted in the wide slot of the outlet.
25. **CAUTION: DO NOT COVER - HIGH TEMPERATURES** keep electrical cords, drapery and other furnishing at least at 3 feet (90 cm) from the front of the heater and away from the side and rear.
26. Disconnect the heater from the electrical outlet before any maintenance/cleaning operation is undertaken.

# SAVE THESE INSTRUCTION

Thank you for choosing this De'Longhi heater. To get the very best out of your new heater it is advisable to read these instructions before using it. This will ensure that you gain optimum results and use the appliance safely.

### General instructions

Your stove is designed for use throughout your living area, such as against a wall or in a corner. To add instant warmth and ambiance.

Position the stove so that the electrical outlet is accessible.

Always ensure there is sufficient unobstructed airflow in the front of the stove, otherwise the operation of the stove will be compromised.

### Placing the pebbles/coal

Depending on which stove you have purchased you will find pebbles or coal packed with your stove. In order to place the pebbles/coal on the shelf within the stove you will need to open the door.

Once the stove is placed in your chosen location, unpack the pebbles/coal from the accessory box.

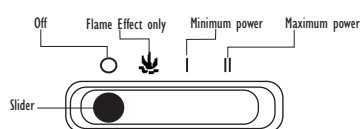
The pebbles/coal are natural; therefore variation in size, shape and color will occur.

Arrange the coal/pebbles as you wish using as many as you require.

If your stove has pebbles, we suggest spreading the smaller ones across the shelf as a base. The 3 large pebbles should then be placed on top with the medium ones used to fill any gaps where light could escape.

### Operating the stove

The stove is controlled by a slider



### Turning on the Flame Effect

The Flame Effect pattern can operate with or independently from the heat.

### Heat Levels

For minimum heat, set the slider on the minimum power position I.

For maximum heat, set the slider on the maximum power position II.

The Flame Effect will always operate when the heat is on.

### Adjusting the thermostat

When the room reaches desired temperature, turn the thermostat knob counter clockwise very slowly and carefully until you hear a "click". This will automatically set your unit to cycle on and off at that desired heat setting.

### Automatic Safety Shut Off

This heater is equipped with an automatic shut off to prevent any damage due to overheating. The heater will automatically shut off if the airflow is obstructed. To reset the stove, disconnect the plug from the power socket for a few minutes, remove the cause of obstruction and allow a suitable cooling period before plugging it in again.

**Noise**

As with all fan driven appliances the stove will make some noise due to the occurrence of air flow; this is perfectly normal.

**Maintenance**

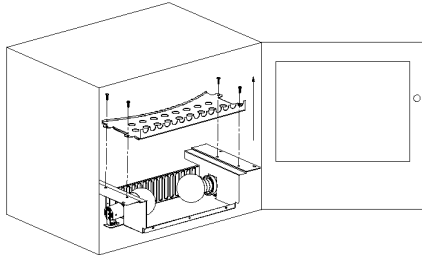
Before any maintenance/cleaning is undertaken always disconnect the stove from the power supply and allow to cool down.

**Replacing light bulbs**

Remove the coal or the pebbles from the internal support then remove the support by removing the screw provided as shown in figure.

Please note that replacement bulbs are not covered by the guarantee of the product.

**IMPORTANT:** replace light bulbs only with 40W E26 (screw type) 120V rated. The product is provided with one spare light bulb in the package.



**Cleaning**

The stove can be cleaned with a soft damp cloth. Do not use metal polish or harsh scouring agents.

**PROBLEM SOLVING**

<b>No power to the fire</b>	Check the electrical outlet, plug and fuse.
<b>No Illumination/ flame effect</b>	Check if the flame effect is switched on. Check that the bulbs are working.
<b>Heater cuts out/ poor or no flame effect</b>	Check that airflow around the stove is not obstructed or the product is covered in anyway.



## LIMITED WARRANTY

This warranty applies to all products with De'Longhi or Kenwood brand names.

### What does the warranty cover?

We warrant each appliance to be free from defects in material and workmanship. Our obligation under this warranty is limited to repair at our factory or authorized service center of any defective parts or part thereof, other than parts damaged in transit. In the event of a products replacement or return, the unit must be returned transportation prepaid. The repaired or new model will be returned at the company expense.

This warranty shall apply only if the appliance is used in accordance with the factory directions, which accompany it, and on an Alternating current ( AC ) circuit.

### How long does the coverage last?

This warranty runs for one year (1) from the purchase date found on your receipt and applies only to the original purchaser for use.

### What is not covered by the warranty?

The warranty does not cover defects or damage of the appliance, which result from repairs or alterations to the appliance outside our factory or authorized service centers, nor shall it apply to any appliance, which has been subject to abuse, misuse, negligence or accidents. Also, consequential and incidental damage resulting from the use of this product or arising out of any breach of contract or breach of this warranty are not recoverable under this warranty. Some states do not allow the exclusion or limitation of incidental or consequential damage, so the above limitation may not apply to you.

### How do you get service?

If repairs become necessary, see contact information below:

#### U.S. Residents:

Please contact our toll free hotline at 1-800-322-3848 or log onto our website at [www.delonghi.com](http://www.delonghi.com).

For all accessories, spare parts or replacement parts, please contact our parts division at 1-800-865-6330.

**Residents of Canada:** Please contact our toll free hotline at 1-888-335-6644 or log onto our website at [www.delonghi.com](http://www.delonghi.com).

**Residents of Mexico:** Please refer to the Limited Warranty statement for Mexico.

### Please refer to the back page of the manual for De'Longhi addresses.

The above warranty is in lieu of all other express warranties and representations. All implied warranties are limited to the applicable warranty period set forth above. This limitation does not apply if you enter into an extended warranty with De'Longhi. Some states do not allow limitations on how long an implied warranty lasts, so the above exclusions may not apply to you. De'Longhi does not authorize any other person or company to assume for it any liability in connection with the sale or use of its appliance.

### How does state law apply?

This warranty gives you specific legal rights, and you may also have other rights, which vary from state to state.



**De'Longhi America, Inc.**  
Park 80 West, Plaza One  
Saddle Brook, NJ 07663  
1-800-322-3848

**De'Longhi Canada, Inc.**  
6150 McLaughlin Road  
Mississauga, Ontario  
L5R 4E1 Canada  
1-888-335-6644

**Fiducia Italiana S.A. de C.V.**  
Pestalozzi #814  
Col. Narvarte  
Del. Benito Juarez  
C.P. 03100  
tels: 5543 1447  
lada sin costo: 01 800 711 8805

[www.delonghi.com](http://www.delonghi.com)

Printed in China

57310005000/3.07