

This Owner's Manual is provided and hosted by [Appliance Factory Parts](#).



# DE'LONGHI TRV0715 Owner's Manual

[Shop genuine replacement parts for DE'LONGHI  
TRV0715](#)



[Find Your DE'LONGHI HVAC Parts - Select From 166 Models](#)

----- Manual continues below -----



**ELECTRIC OIL FILLED RADIATORS**  
INSTRUCTIONS FOR USE  
SAVE THESE INSTRUCTIONS

**LOS RADIADORES ELÉCTRICOS DE  
ACEITE**

INSTRUCCIONES PARA EL USO  
REPASE Y GUARDE ESTAS INSTRUCCIONES  
LEA CUIDADOSAMENTE ESTE INSTRUCTIVO  
ANTES DE USAR SU APARATO

**LES RADIATEURS À BAIN D'HUILE**  
MODE D'EMPLOI

CONSERVEZ CE MODE D'EMPLOI

**RADIATORI AD OLIO**

ISTRUZIONI PER L'USO  
CONSERVARE LE PRESENTI ISTRUZIONI

TYPE/MODELE/MODELO/MODELLO:  
TRV0715-TRV0715T



Register this product on-line and receive a free trial issue of Cook's Illustrated. Visit [www.delonghiregistration.com](http://www.delonghiregistration.com).  
Visit [www.delonghi.com](http://www.delonghi.com) for a list of service centers near you.  
(U.S. Only)

Registre este producto en línea y reciba un ejemplar gratis de Cook's Illustrated. Visite [www.delonghiregistration.com](http://www.delonghiregistration.com).  
Visite [www.delonghi.com](http://www.delonghi.com) para ver la lista de centros de servicios cercanos a usted. (Solamente en los Estados Unidos)

Enregistrez ce produit en ligne et recevez un numéro gratuit de Cook's Illustrated. Visitez [www.delonghiregistration.com](http://www.delonghiregistration.com).  
Visitez [www.delonghi.com](http://www.delonghi.com) pour y voir une liste des centres de réparation proches de chez vous. (E.-U. uniquement)

Registra questo prodotto "on-line" per ricevere una copia omaggio della rivista Cook's Illustrated. Visita [www.delonghiregistration.com](http://www.delonghiregistration.com).  
Visita [www.delonghi.com](http://www.delonghi.com) per una lista dei centri di servizio a te più vicini. (Solo negli Stati Uniti).

ELECTRIC CHARACTERISTICS/CARACTÉRISTIQUES ÉLECTRONIQUES  
CARACTERISTICAS ELECTRICAS/CARATTERISTICHE ELETTRICHE  
120V 1500W



# IMPORTANT SAFEGUARDS

When using electrical appliances, basic precautions should always be taken to avoid the risk of fire, electric shock and personal injury, including the following:

1. Read these instructions thoroughly before using this heater.
2. If your heater is equipped with a polythene tape, which serves as carry handle, remove it prior to connecting the appliance to an outlet.
3. This heater becomes very hot when operating. To avoid burns, do not touch its hot surfaces with your bare skin. Use the heater's handle when moving it. Keep combustible materials, such as furniture, pillows, bedding, papers, clothes and curtains at least 3 feet (90 cm) away from the heater's front and top, and also well away from its sides and rear.
4. The appliance is not intended for use by persons (including children) with reduced physical, sensory or mental capabilities, or lack of experience and knowledge, unless they have been given supervision or instruction concerning use of the appliance by a person responsible for their safety. Children should be supervised to ensure that they do not play with the appliance.
5. If the supply cord is damaged, it must be replaced by the manufacturer, its service agent or an electrician in order to avoid a hazard.
6. Always unplug the heater when it is not in use.
7. **Do not operate your heater when its cord or plug has been damaged or after it has malfunctioned, has been dropped or damaged in any manner. If you notice any leakage of oil, switch it off immediately and contact a service center as indicated in these instructions. Return the heater to an authorized service facility for inspection, electrical or mechanical adjustment, or repair.**
8. Your heater should not be operated outdoors.
9. Your heater is not intended for use in bathrooms, laundry areas and similar indoor locations. Never locate the heater where it might fall into a bathtub or other water containers.
10. **Do not run the electric cord under carpeting. Do not cover cord with throw rugs, runners, or the like. Run the cord away from traffic areas and where it will not be tripped over.**
11. To disconnect the heater, switch it to 0, then unplug its cord from the outlet.
12. Connect to properly polarized outlets only.
13. Do not insert or allow foreign objects to enter any ventilation or exhaust opening, as this might cause an electric shock, fire, or damage the heater.
14. To prevent fire, do not block air intakes or exhaust in any manner. Do not place the heater on soft surfaces, like a bed, where openings may be blocked.
15. **Your heater's internal parts may become hot or issue sparks during normal operation. Therefore, you should not use it in areas where gasoline, paint, or flammable liquids are used or stored.**
16. Use this heater only as described in this manual. Any other use not recommended by the manufacturer might cause fire, electric shock, or personal injury.
17. To prevent overload and blown fuses, be sure that no other appliances are plugged into the same outlet, or a separate outlet on the same circuit.
18. The heater's electric cord and plug may grow warmer during normal operation. However, an exceedingly hot or deformed plug or cord are not normal, and are often the result of a defective power outlet. You should replace such outlets prior to further use of the heater. Continuous use of defective outlets might cause cord overheating and fire.
19. Do not use an extension cord with this appliance. Connect the appliance directly to a suitable outlet.
20. Make sure the heater is firmly plugged into the wall outlet. Please note that the quality of wall outlets may deteriorate over time: Check the electric plug periodically for signs of overheating or deformation, and in such cases, stop using that outlet and have it fixed.
21. Check that neither the heater nor the power cable has been damaged in any way during transportation.
22. Make sure that no pieces of styrofoam or other packaging material have been left between heating elements. If necessary, remove such pieces using a vacuum cleaner.
23. **The first time the appliance is used, run it at full power for at least two hours. During this time, ventilate the room thoroughly to eliminate the "new" smell that may be released by the appliance. It is normal for the appliance to emit "creaking" sounds the first time it is run.**  
**CAUTION:** To prevent electric shock match wide blade of plug to wide slot, fully insert.

## SAVE THESE INSTRUCTIONS

## RADIATOR OPERATION AND USE

### MODELS WITH "EASY WHEEL" SYSTEM

Turn the radiator upside down onto a cloth or other soft surface to avoid damaging the paint.

Open the wheels out fully (Fig. 1).

Put the radiator back in the upright position.

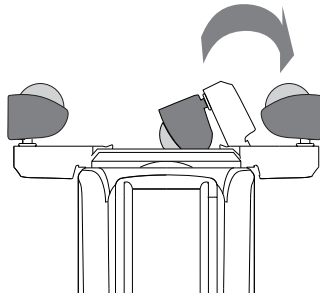


fig. 1

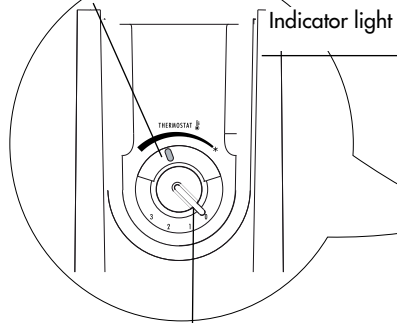
### ATTENTION

Always use the radiator in the upright position (wheels at the bottom, controls at the top).

Any other position can create a dangerous situation!

### DESCRIPTION OF THE APPLIANCE

Thermostat slider



Indicator light

Power selector

Timer  
(On select models only)

Wheel

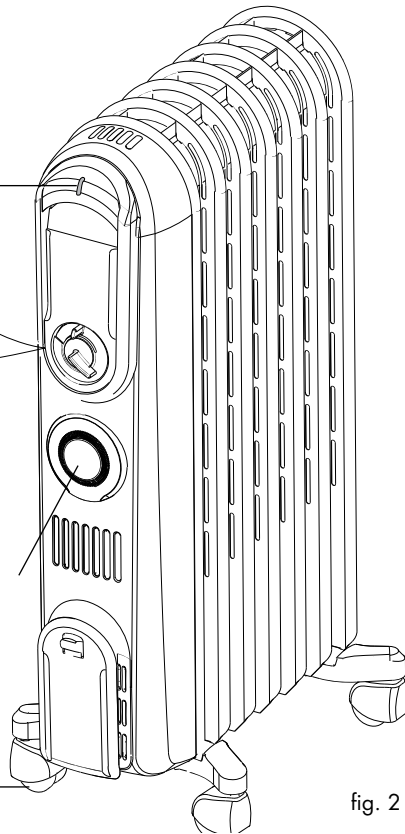


fig. 2

## 1. LOCATION

Place heater on the floor beneath the coldest window in the room, or any other location. Your heater will reduce the effect of cold drafts. The heater should not be placed immediately below a power outlet. Do not use this radiator in rooms with a floor area of less than 43 square feet (4 sq. m.).

## 2. CONNECTION

The radiator should be connected to a properly polarized A/C 110/120 V household outlet in good condition. Keep loose clothing or bedding, furniture and flammable material away from the heater's wall outlet.

## 3. TURNING ON

Insert the plug into an electrical outlet, rotate the thermostat knob (if provided) to maximum and turn the unit on as follows using the power selector:

- Turn the power selector to position **1** to select minimum output (the light on the left will come on).
- Turn the power selector to position **2** to select medium output (the light on the right will come on).
- Turn the power selector to position **3** to select maximum output (the lights will come on).

## 4. WATTS ECONOMIZER

For more efficient operation, use power setting 1 or 2 after your desired temperature has been reached.

### Adjusting the thermostat

When the room has reached the desired temperature, turn the thermostat knob slowly in a clockwise direction, stopping when you hear a click sound. The unit will maintain the set temperature and conserve energy by cycling on and off.

If your unit has three power settings, on days when temperatures are not particularly cold, select minimum output to optimize efficiency and energy savings.

### Antifreeze function

Turn the thermostat dial to the ✖ and select a power level **3**. The appliance will maintain a minimum room temperature of approximately 42°F (5°C), thus preventing freezing temperatures while conserving energy. In models that come with a timer, tabs must be set in the inward position.

### REMINDER

To completely shut the appliance off, turn the power selector to the **0** position and then unplug the appliance from the outlet.

## 5. TIMER (ON SELECTED MODELS)

**ABOUT THE TIMER** The programmable clock timer allows you to preprogram every 15 minute period of the 24 hour day. So the heater conserves energy by operating only when you need it!!

### Clock setting

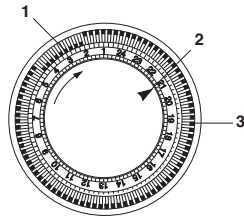
The programmable timer, as with all clocks, must be set to the correct time. If for example the time is 1:30pm, rotate the dial clockwise (following the direction of the arrow) until 13:30 is aligned with the triangular pointer.

### IMPORTANT:

**DO NOT ROTATE CLOCK DIAL COUNTER-CLOCKWISE.**

The timer is in effect an electric clock and would only work while it is plugged into a power supply. When unplugged, the timer stops and must be later re-set.

## HOW TO USE THE TIMER



To programme heating, proceed as follows:

- Look at the time on your clock or watch. If it is 9:00 pm, turn the numbered timer disk clockwise until the number 21 on the disk coincides with the pointer ▲ (2) on the timer. Set the periods of time when you want the appliance to be on by pushing the notches (1) inward, and outward when you want the appliance to be off. Each notch (3) corresponds to a period of 15 minutes. When set, the radiator will operate automatically each day during the times programmed (important: the radiator must always be plugged into an outlet).
- To change the programming, move the notch back into the initial position and set the new periods of functioning.
- If you want the appliance to operate without programming, push all the notches to the center. In this case, to shut the appliance off completely, turn the power setting to "0", and unplug the appliance from the outlet. This will avoid continued operation of the timer

## OVERHEATING PROTECTION

The appliance is fitted with a **safety device** which will switch off the heater in case of accidental overheating.

To start the radiator up again, call the nearest service center.

## 6. MAINTENANCE AND SERVICE

Always unplug the heater from the power outlet and allow the radiator to cool. Wipe radiator with a soft damp cloth; do not use detergents and abrasives.

Should the radiator not be in use over a certain length of time, roll the cable around the holder and store it in a dry place.

This appliance has been built to last for many years of trouble-free service.

In case of malfunction or doubt, do not try to repair the heater by yourself: this might increase the risk of fire and electric shock.

Call your nearest Service Center (see attached list of Service Centers).

Your product is equipped with a polarized alternating current line plug (a plug having one blade wider than the other). There is only one way it can be plugged into a power supply. This is a safety feature. If you are unable to insert the plug fully into the outlet, try again by turning it the other way. If it would still not go in, it is probably due to an obsolete outlet which should be replaced. Do not tamper with the plug or outlet to defeat the purpose of this safety mechanism.



## LIMITED WARRANTY

This warranty applies to all products with De'Longhi or Kenwood brand names.

### What does the warranty cover?

We warrant each appliance to be free from defects in material and workmanship. Our obligation under this warranty is limited to repair at our factory or authorized service center of any defective parts or part thereof, other than parts damaged in transit. In the event of a product replacement or return, the unit must be returned with transportation prepaid. The repaired or new model will be returned at the company expense.

This warranty shall apply only if the appliance is used in accordance with the factory directions, which accompany it, and on an Alternating current ( AC ) circuit.

### How long does the coverage last?

This warranty lasts for one year (1) from the purchase date found on your receipt and applies only to the original purchaser for use.

### What is not covered by the warranty?

The warranty does not cover defects or damage of the appliance, which result from repairs or alterations to the appliance outside our factory or authorized service centers, nor shall it apply to any appliance, which has been subject to abuse, misuse, negligence or accidents. Also, consequential and incidental damage resulting from the use of this product or arising out of any breach of contract or breach of this warranty are not recoverable under this warranty. Some states do not allow the exclusion or limitation of incidental or consequential damage, so the above limitation may not apply to you.

### Who to contact for service

If repairs become necessary, see contact information below:

#### U.S. Residents:

Please contact our toll free hotline at 1-800-322-3848 or log onto our website at [www.delonghi.com](http://www.delonghi.com).

For all accessories, spare parts or replacement parts, please contact our parts division at 1-800-865-6330.

**Residents of Canada:** Please contact our toll free hotline at 1-888-335-6644 or log onto our website at [www.delonghi.com](http://www.delonghi.com).

**Residents of Mexico:** Please refer to the Limited Warranty statement for Mexico.

### Please refer to the back page of the manual for De'Longhi addresses.

The above warranty is in lieu of all other express warranties and representations. All implied warranties are limited to the applicable warranty period set forth above. This limitation does not apply if you enter into an extended warranty with De'Longhi. Some states do not allow limitations on how long an implied warranty lasts, so the above exclusions may not apply to you. De'Longhi does not authorize any other person or company to assume for it any liability in connection with the sale or use of its appliance.

### How does state law apply?

This warranty gives you specific legal rights, and you may also have other rights, which vary from state to state.