

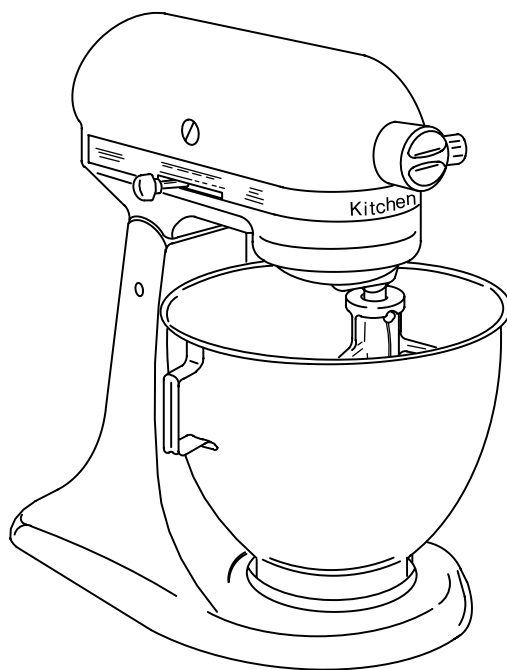
PARTS LIST

for

KitchenAid®

INTERNATIONAL PART NUMBERS ITALICIZED

MIXER VARIATIONS OF KSM90, KSM103, AND KSM110 SOLID STATE



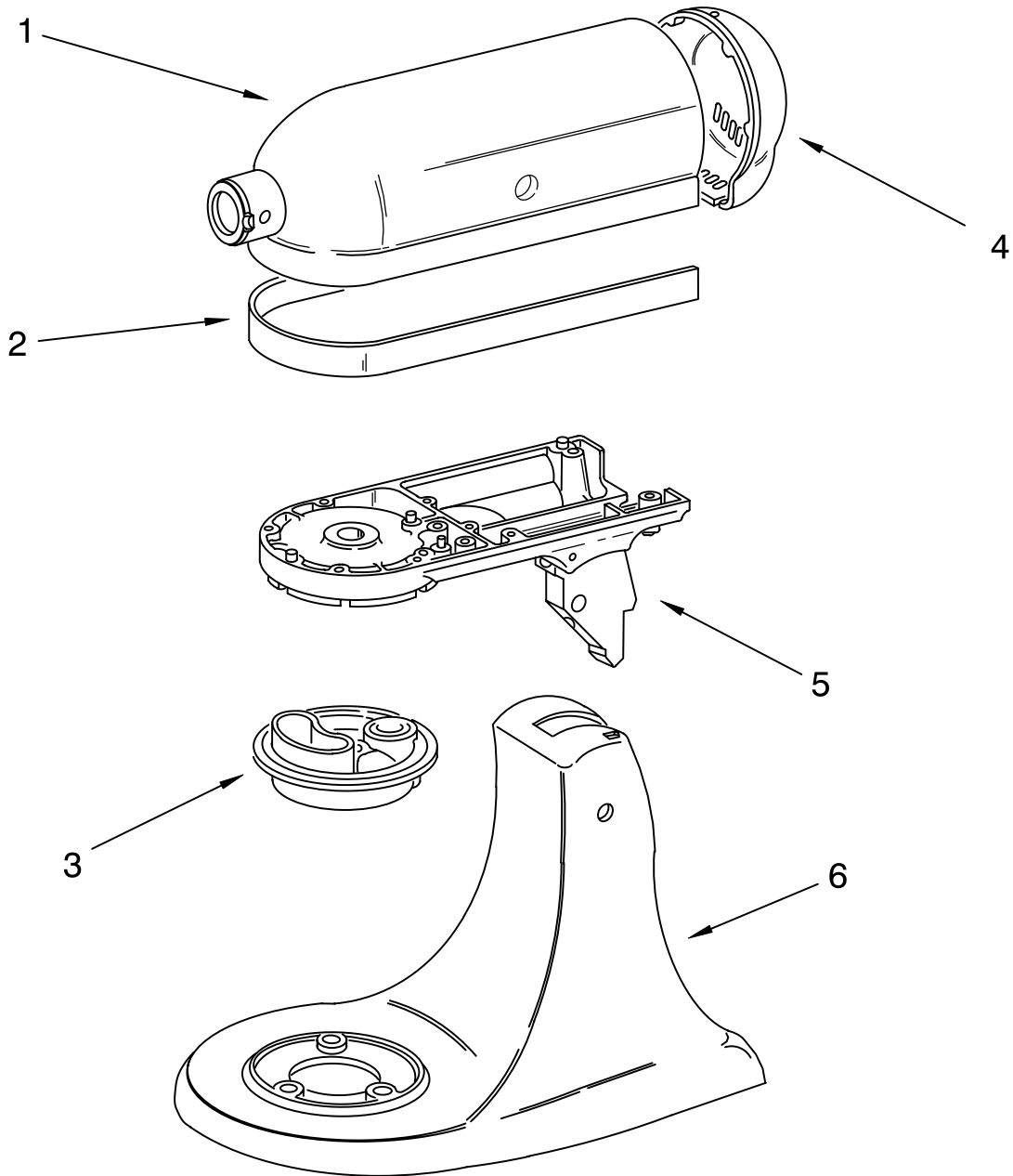
KITCHENAID



ST. JOSEPH MICHIGAN 49085

COLOR VARIATION PARTS

For Models:KSM90, KSM103, & KSM110



FOR ORDERING INFORMATION REFER TO PARTS PRICE LIST

COLOR VARIATION PARTS

For Models:KSM90, KSM103, & KSM110

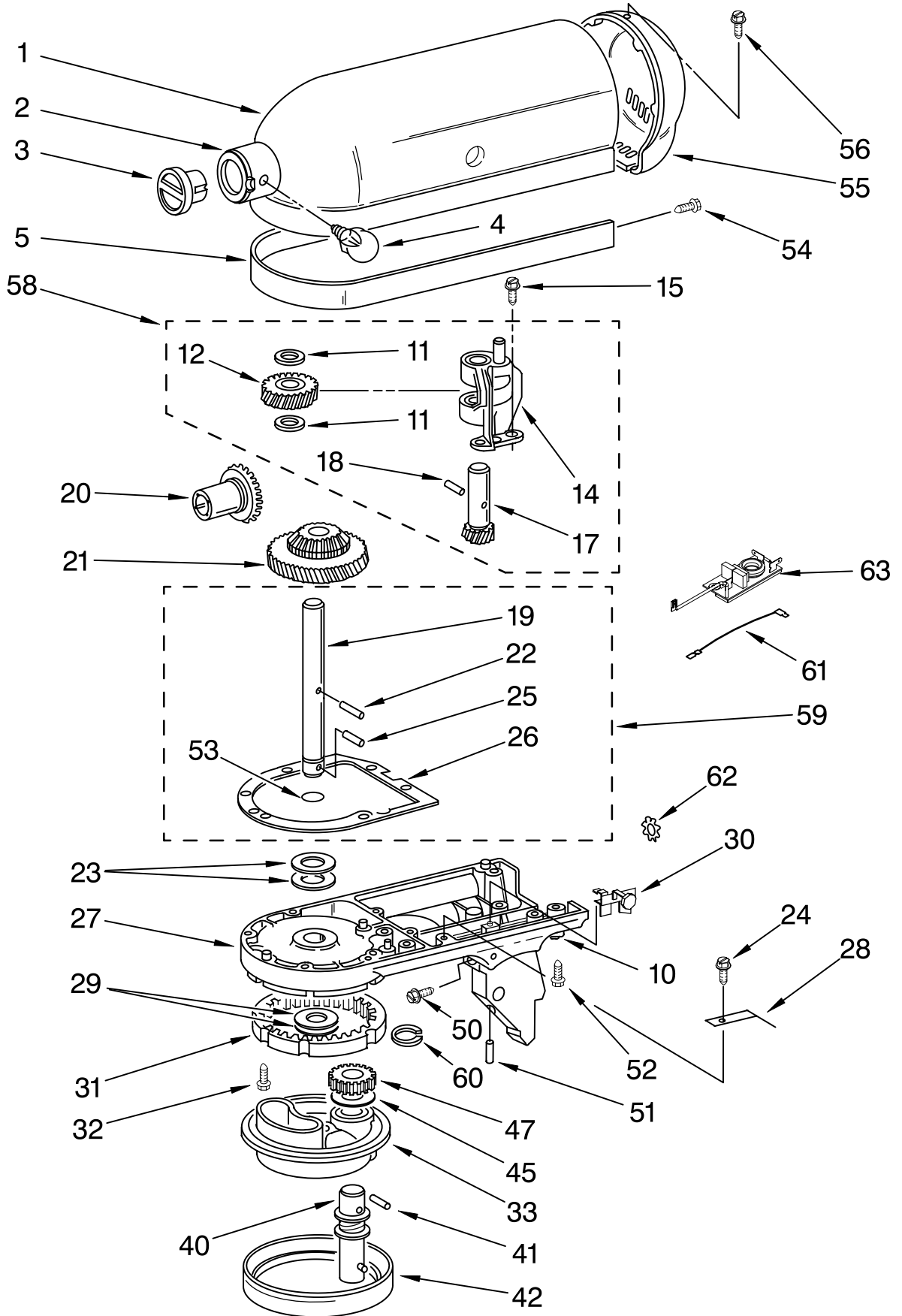
| Illus. No. | Part No. | DESCRIPTION | Illus. No. | Part No. | DESCRIPTION | Illus. No. | Part No. | DESCRIPTION |
|------------|-----------|-------------------------------------|------------|-----------|------------------------------|------------|-----------|---------------------------------|
| 1 | | Motor Housing | 4 | | End Cover | 6 | | Pedestal |
| | 240291-1 | White | | 240253-1 | White | | 240151-1 | White |
| | 9704752 | Satin Copper | | 9704757 | Satin Copper | | 3184273 | White |
| | 240291-7 | Cobalt Blue | | 240253-8 | Cobalt Blue | | 9704747 | Satin Copper |
| | 9706270 | Nickel | | 9706268 | Nickel | | 240151-8 | Cobalt Blue |
| | 9706461 | Nickel | | 4176449 | Metallic Chrome | | 9701768 | Cobalt Blue |
| | 9704004 | Metallic Chrome | | 9704029 | Metallic Chrome | | 9706264 | Nickel |
| | 9704025 | Metallic Chrome | | 240253-23 | Imperial Gray (Crinkle) | | 9706457 | Nickel |
| | 240291-22 | Imperial Gray (Crinkle) | | 240253-14 | Onyx Black | | 9704000 | Metallic Chrome |
| | 240291-13 | Onyx Black | | 240253-11 | Empire Green | | 9707189 | Metallic Chrome |
| | 240291-10 | Empire Green | | 240253-16 | Almond Creme | | 240151-21 | Imperial Gray (Crinkle) |
| | 240291-16 | Almond Creme | | 4176224 | Royal Crimson | | 9703247 | Imperial Gray |
| | 4176227 | Royal Crimson | | 240253-22 | Empire Red | | 240151-13 | Onyx Black |
| | 240291-21 | Empire Red | | 240253-21 | Majestic Yellow | | 3184275 | Onyx Black |
| | 240291-20 | Majestic Yellow | | 9706469 | Pink | | 240151-11 | Empire Green (Domestic & Japan) |
| | 9706473 | Pink | | 4176339 | Chrome | | 9701769 | Empire Green |
| | 4176337 | Chrome | | 4176449 | Black Chrome | | 240151-15 | Almond Creme |
| | 9704004 | Black Chrome | | 4176449 | KSM103 And KSM110 | | 9703248 | Almond Creme |
| | 9704004 | KSM103 & KSM110 | | 9705241 | Caviar | | 4176229 | Royal Crimson |
| | 9705243 | Caviar | 5 | | Lower Gearcase | | 240151-20 | Empire Red |
| 2 | | Trim Band | | 240350-4 | White | | 9703245 | Empire Red |
| | | United States | | 9701393 | White (United Kingdom) | | 240151-19 | Majestic Yellow |
| | 9702645 | Black on Silver | | 240350-20 | White on White (Japan) | | 9703246 | Majestic Yellow |
| | 9702633 | Chrome & KSM110 Models | | 9704749 | Satin Copper | | 9706467 | Pink |
| | 9704530 | White | | 240350-31 | Cobalt Blue | | 9707362 | Pink |
| | 9702635 | White (KSM90PSWH) | | 9701420 | Cobalt Blue | | 4176335 | Chrome |
| | 9701264 | White on White | | 9706269 | Nickel | | 9701767 | Chrome |
| | 9701468 | Almond Creme International & Taiwan | | 9706459 | Nickel | | 9704000 | Black Chrome |
| | 9704643 | Black on Silver | | 9704002 | Metallic Chrome | | 9704000 | KSM103 & KSM110 |
| | 9704641 | White Swiss | | 9707219 | Metallic Chrome | | 9705237 | Caviar |
| | 9704655 | Black on Silver | | 240350-86 | Imperial Gray (Crinkle) | | | |
| | 9704653 | White Japan | | 240350-56 | Onyx Black | | | |
| | 9705180 | Black on Silver | | 240350-46 | Empire Green | | | |
| | 9705182 | White Australia | | 9701422 | Empire Green (International) | | | |
| | 9704498 | Black on Silver | | 240350-74 | Empire Green (Japan) | | | |
| 3 | | Planetary | | 240350-62 | Almond Creme | | | |
| | 240286-1 | White | | 4176221 | Royal Crimson | | | |
| | 9704755 | Stain Copper | | 240350-84 | Empire Red | | | |
| | 240286-10 | Cobalt Blue | | 240350-91 | Empire Red | | | |
| | 9706271 | Nickel | | 240350-82 | Majestic Yellow | | | |
| | 9704006 | Metallic Chrome | | 240350-93 | Majestic Yellow | | | |
| | 9706670 | Metallic Chrome | | 9706471 | Pink | | | |
| | 240286-24 | Imperial Gray (Crinkle) | | 9707364 | Pink | | | |
| | 240286-16 | Onyx Black | | 9701398 | Chrome | | | |
| | 240286-13 | Empire Green | | 9704002 | Black Chrome | | | |
| | 240286-18 | Almond Creme | | 9704002 | KSM103 And KSM110 | | | |
| | 4176226 | Royal Crimson | | 9705242 | Caviar | | | |
| | 240286-23 | Empire Red | | | | | | |
| | 240286-22 | Majestic Yellow | | | | | | |
| | 9706475 | Pink | | | | | | |
| | 4176338 | Chrome | | | | | | |
| | 9704006 | Black Chrome | | | | | | |
| | 9704006 | KSM103 & KSM110 | | | | | | |
| | 9705244 | Caviar | | | | | | |

Availability of All Colors Subject to Change. Any Color Not Listed is No Longer Available. If Additional Colors Are Added, This Page Will Be Updated.

FOR ORDERING INFORMATION REFER TO PARTS PRICE LIST

CASE, GEARING AND PLANETARY UNIT

For Models: KSM90, KSM103, & KSM110



FOR ORDERING INFORMATION REFER TO PARTS PRICE LIST

CASE, GEARING AND PLANETARY UNIT

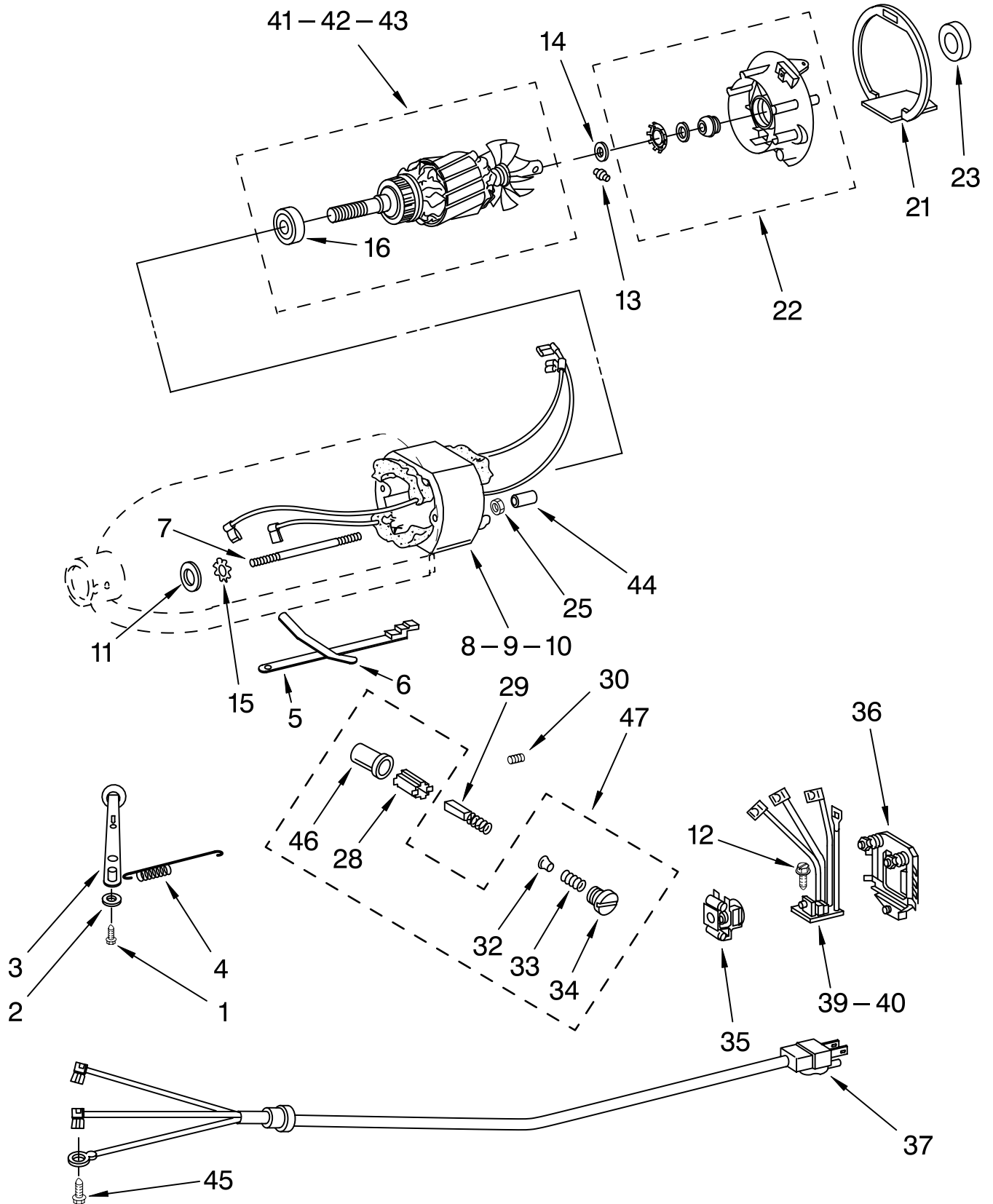
For Models:KSM90, KSM103, & KSM110

| Illus. No. | Part No. | DESCRIPTION | Illus. No. | Part No. | DESCRIPTION | Illus. No. | Part No. | DESCRIPTION |
|---------------|-------------|--|---------------|-------------|---|---------------|-------------|--|
| 1 | ** | Gearcase Motor Housing (Includes Illus 2) | 22 | 240018-1 | Pin (Vertical Center Shaft) | 47 | 9703903 | Pinion, Gear (18T) (Agitator Shaft) |
| 2 | 4159709 | Ring, Attachment Hub | 23 | 3180163 | Washer, Fiber Black, Gray | 50 | 4160413 | Screw, Adjusting |
| 3 | | Cap, Attachment Hub | 24 | 4176022 | Screw <i>(International)</i> | 51 | 4159264 | Set Screw, 1/4"-28 X 3/8" Hdls., Cup Pt. |
| | 242765-2 | Chrome | 25 | 9705443 | Pin, Grooved | 52 | 3400025 | Machine Screw, 10-24 X 1 Fil. Head |
| | 242765-4 | White | 26 | 4162324 | Gasket, Transmission Case | 53 | 67500-55 | "O" Ring |
| 4 | | Thumb Screw | 27 | ** | Lower Gear Case | 54 | 4159430 | Screw, Self Tapping 6-32 X 1/4" Phil. Pan Hd. Type F |
| | 4162142 | Black | 28 | 9701864 | Spring Flat <i>(International)</i> | 55 | ** | Cover, End |
| | 240374-2 | White (Storm Gray) | 29 | 3180163 | Washer, Fiber Black, Gray | 56 | 4162914 | Screw, 6-32 X 3/8 Phil. Oval Hd. |
| | 240374-3 | Buff | 30 | 9701866 | Headlock Assembly <i>(International)</i> | 58 | 240309-2 | Worm Gear Bracket And Gear (10 T & 23 T) (Incls. Illus 11 thru 14 17 & 18) |
| 5 | ** | Band, Trim | 31 | 9703904 | Gear, Internal | 59 | 4160474 | Center Shaft & "O" Ring (Incls. Illus. 19,22,25,26, & 53) |
| 10 | 4159479 | Lock Washer, #10 Light | 32 | 103994 | Screw, Special (5) | 60 | 9703438 | Ring |
| 11 | 3180161 | Washer, Fiber Black, Gray | 33 | ** | Planetary | 61 | 9702311 | Lead, Filter to Control Board |
| 12 | 4162897 | Worm Gear (23T) | 40 | 4176067 | Agitator Shaft (Includes Illus. 60) | 62 | 3400900 | Lockwasher |
| 14 | 240308 | Worm Gear Bracket And Bearing | | 3184052 | Agitator Shaft (Includes Cup) <i>(International)</i> | 63 | 9706789 | Filter, RFI |
| 15 | 3400022 | Screw And L.W. Assy. #10-24 X 7/16" Phil. Fil. Hd. (3) | 41 | 240018-1 | Pin (Agitator Shaft Pinion) | | 9705132 | Taiwan |
| 17 | 240210-2 | Shaft & Pinion (10T) | 42 | 240285 | Ring, Planetary Drip | | | |
| 18 | 9705444 | Pin, Grooved | | 240285-2 | Polished | | | |
| 19 | 240026 | Shaft, Vertical Center | 45 | 3180160 | Washer, Shim (.015" Thk.) (.031" Thk.) | | | |
| 20 | 9705130 | Gear, Attachment Hub Bevel (23T) | | | | | | |
| 21 | 9703905 | Bevel Pinion (19T) & Center Gear (62T) | | | | | | |

FOR ORDERING INFORMATION REFER TO PARTS PRICE LIST

MOTOR AND CONTROL PARTS

For Models: KSM90, KSM103, & KSM110



FOR ORDERING INFORMATION REFER TO PARTS PRICE LIST

MOTOR AND CONTROL PARTS

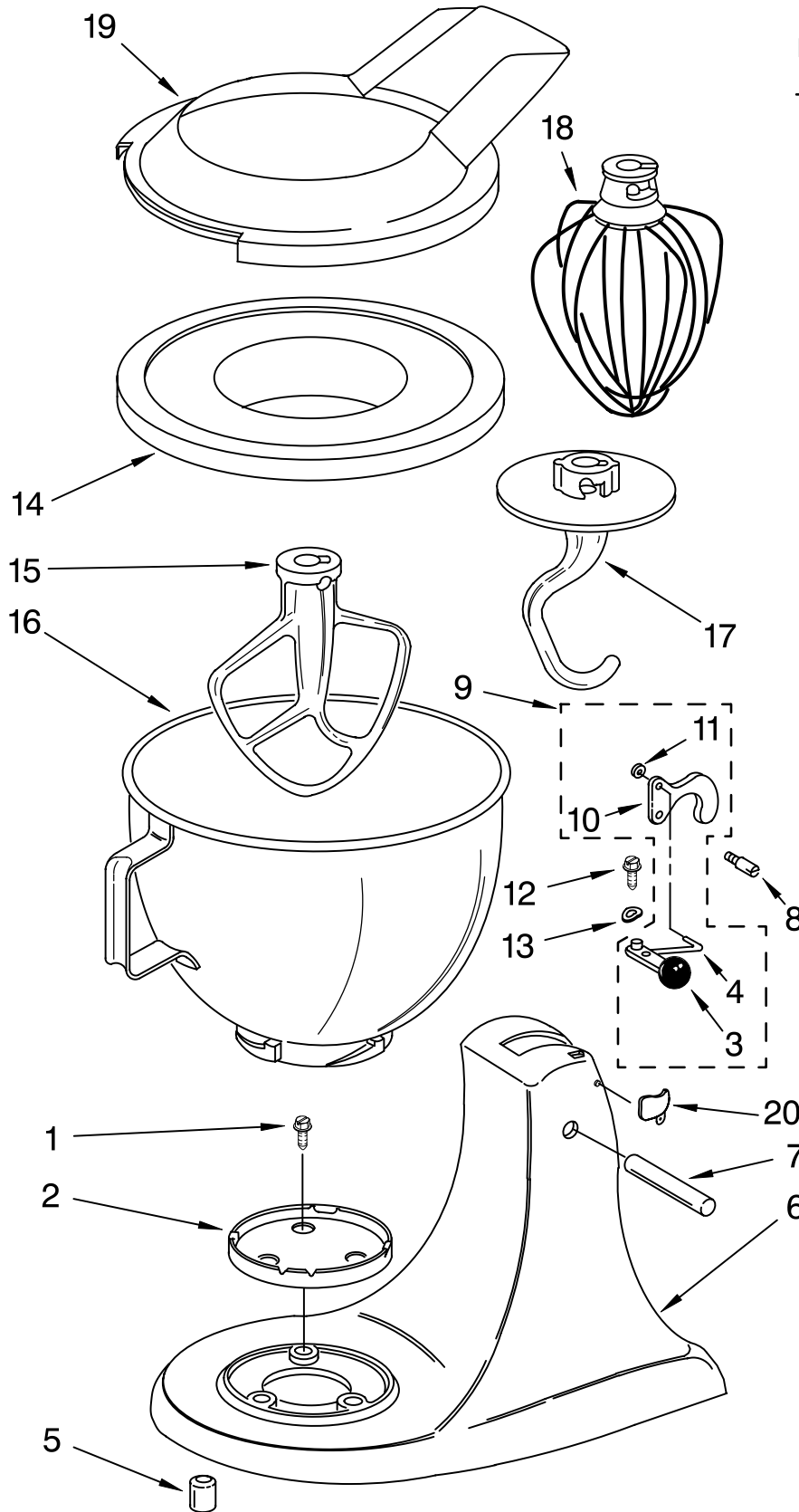
For Models:KSM90, KSM103, & KSM110

| Illus. No. | Part No. | DESCRIPTION | Illus. No. | Part No. | DESCRIPTION | Illus. No. | Part No. | DESCRIPTION |
|------------|----------|--|------------|----------|---|---|----------|---|
| 1 | 110679 | Screw, Pivot | 35 | 17830 | Governor Assembly | OPTIONAL PARTS | | |
| 2 | 116241 | Washer, Spring | 36 | 240904-2 | Control Plate Assembly | OPTIONAL ATTACHMENTS, ACCESSORIES AND SERVICE ITEMS | | |
| 3 | | Switch Lever And Stud | 37 | | Cord & Plug White | 4164839 | | Speed Disc (Service Tool) |
| | 3184193 | Black | | 9701025 | United States | 4160588 | | Grease, Planetary |
| | 3184194 | Storm Grey | | 9702318 | International | 4164778 | | Mixer Attachment Pak (Includes Food Grinder (FG-A), Food Strainer (FVSP), And Vegetable Slicer, (RVS-A) (FPP-A)) |
| | 3184195 | Buff | | 9704389 | Swiss | | | |
| 4 | 3183680 | Spring, Control Plate | | 9702314 | United Kingdom | | | |
| | 3183690 | International | | 9702368 | Australia | | | |
| 5 | 3184176 | Speed Link & Cam | | | Black | | | |
| 6 | 4162035 | Spring, Flat | | 9701026 | United States | | | |
| 7 | 240769 | Screw, Stator | | 9702319 | International | | | |
| 8 | 9702695 | Field Assembly (Must Use With Item # 41) 120 Volts | | 9704390 | Swiss | | | |
| | | | | 9702315 | United Kingdom | | | |
| 9 | 9701670 | Field Assembly (International) (Must Use With Illus. 42) (230 Volts) | | 9706755 | Taiwan | 4164749 | | Food Grinder (FG-A) |
| | | | | 9704812 | Japan | 4164751 | | Grain Mill (GM-A) |
| 10 | 4176217 | Field Assembly (Japan) (Must use with Item 13) (100 Volts) | 39 | 9706595 | Phase Control Board (120 Volt) | 4164768 | | Pasta Maker And Food Grinder (Includes SNP Pasta Maker Plates) (SN/FG-A) |
| | | | | | | 4164775 | | Fruit/Vegetable Strainer Parts (Use With FG-A Model Only) (FVSP) |
| 11 | 9704324 | Washer, Bearing | 40 | 9706596 | Phase Control Board (230 Volt) | 4164750 | | Rotor Slicer/Shredder (With 4 Standard Cones) Fine Shredder, Coarse Shredder, Thick Slicer, And Thin Slicer (RVS-A) |
| 12 | 3400402 | Screw, Self Tapping 4-40 X 5/16" Phil. Pan Hd. Type TT | 41 | 9708315 | Armature & Bearing (120 V.) Domestic & Taiwan) (Must use with Illus. 8) | 3177975 | | Pouring Shield (KPS2CL) |
| | | | 42 | 9708316 | Armature & Bearing (230 Volt) (Must use with Item 9) | 4164824 | | Pasta Maker Plates (SNP-A) |
| 13 | 16998 | Stud, Governor Drive | 43 | 9708314 | Armature & Bearing (Japan) (Must Use with Item 10) (100 Volts) | 4164774 | | Fruit/Vegetable Strainer And Food Grinder (FVS/FG-A) |
| 14 | 3180162 | Washer, Spacing | | | | 3180617 | | Cover, Decorative (Cotton Polyester) |
| 15 | 3400900 | Washer | | | | 4162838 | | Food Tray (FT) |
| 16 | 9708320 | Ball Bearing | | | | 4164748 | | Juicer (JE) |
| 21 | 240775-1 | Seal, End | | | | 4164747 | | Can Opener (CO) |
| | 3184356 | International | | | | 4164803 | | Sausage Stuffer Kit (SSA) |
| 22 | 3180526 | Bracket, Bearing Asm. | 44 | 4162634 | Sleeve, Motor Stud | 3177924 | | Bowl Cover, Plastic Non-Sealing |
| 23 | 3180238 | Washer, Felt | 45 | 3184609 | Screw, Ground Tapping (10-24 X 1/4") Phil. | 4163337 | | Bowl, Stainless With Handle |
| 25 | 8533905 | Nut, Machine Hex (10-24) | 46 | 3179908 | Housing, Brush Holder | 3180262 | | Bowl, 3 Qt. (KSM103 & KSM110) |
| 28 | 240680 | Insert, Brush Holder | 47 | 4162546 | Brush Holder (Incls. Illus. 28, 32, 33, 34, & 46) | 4162160 | | Bowl, Satin Stainless |
| 29 | 9706416 | Brush, Carbon | | | | | | |
| 30 | 9707926 | Set Screw, 10-24 X 1/4" Hds. Cup Pt | | | | | | |
| 32 | 116286 | Cap, Spring Seat | | | | | | |
| 33 | 116287 | Spring, Cap | | | | | | |
| 34 | | Cap, Brush Holder | | | | | | |
| | 3184212 | Black | | | | | | |
| | 3184211 | White | | | | | | |
| | 3184213 | Almond Creme | | | | | | |

FOR ORDERING INFORMATION REFER TO PARTS PRICE LIST

BASE AND PEDESTAL UNIT

For Models: KSM90, KSM103, & KSM110



| Illus. No. | Part No. | DESCRIPTION |
|------------|----------|--|
| 1 | 3400020 | Screw 10-24 X 1/2" Phil. Flat Hd. Type F |
| 2 | 4163032 | Screw Cap Kit |
| 3 | 4176024 | Lever, Latch Black |
| | 3184178 | Black |
| 4 | 242928-2 | White (Storm Gray) |
| 4 | 24450 | Link, Latch |
| 5 | 115792 | Foot, Base |
| 6 | ** | Pedestal |
| 7 | 16910 | Pin, Hinge |
| 8 | 103993 | Screw, Latch Bearing |
| 9 | 24452-2 | Latch, Link & Lever (Incls. Illus. 3, 4, 10 & 11) |
| | 3184200 | International |
| 10 | 4162206 | Latch |
| 11 | 4159598 | Washer |
| 12 | 110679 | Screw, Pivot |
| 13 | 116241 | Washer, Spring |
| 14 | 4176018 | Cover, Bowl |
| 15 | 9707669 | Beater, Flat |
| 16 | 4163336 | Bowl And Base (4 1/2 Qt.) |
| 17 | 9707671 | Dough Hook |
| 18 | 9704329 | Wire Whip |
| 19 | 9706633 | Pouring Shield Professional Mod. |
| | 4176452 | International |
| 20 | 9706633 | Head Lock (International) |
| | 3184262 | White |
| | 3184264 | Black |

LITERATURE PARTS

Guide, Use And
Care
LIT9707917 United States
LIT9705170 (International)
LIT9705125 Japan
LIT8204542 Repair Parts List

FOR ORDERING INFORMATION REFER TO PARTS PRICE LIST