

This Owner's Manual is provided and hosted by [Appliance Factory Parts](#).



HONEYWELL EWM300W Owner's Manual

[Shop genuine replacement parts for HONEYWELL
EWM300W](#)



[Find Your HONEYWELL Humidifier Parts - Select From 153 Models](#)

----- Manual continues below -----

enviracaire®

In English	1-10
En français	11-20
En Español	21-30

Portable Electric Warm Mist Humidifier Germ-Free™ Model EWM-300W and EWM-350



EWM-350 Shown

- Instructions for Operation, Care and Cleaning
- Limited Warranty

READ AND SAVE THESE INSTRUCTIONS

Printed in CHINA
Imprimé en CHINA
Impreso en CHINA

Publication EWM-300W, EWM-350
Part Number 31IM300W190

READ ALL OF THE FOLLOWING INSTRUCTIONS BEFORE ATTEMPTING TO OPERATE YOUR HUMIDIFIER. FOLLOWING THESE SIMPLE GUIDELINES FOR USE AND CARE WILL HELP ENSURE YEARS OF DEPENDABLE AND EFFICIENT SERVICE.

IMPORTANT SAFEGUARDS

CAUTION: BECAUSE HIGH TEMPERATURE IS GENERATED IN THIS HUMIDIFIER, BASIC SAFETY PRECAUTIONS SHOULD ALWAYS BE FOLLOWED ESPECIALLY WHEN CHILDREN ARE PRESENT.

WHEN USING ELECTRICAL APPLIANCES, THESE BASIC SAFETY PRECAUTIONS MUST BE FOLLOWED:

1. **DO NOT** operate the humidifier without the water tanks.
2. **ALWAYS** use clean, cool tap water to fill the water tanks.
3. To avoid risk of fire or shock, **DO NOT** use an extension cord.
4. **DO NOT** handle the unit with wet hands.
5. **NEVER** tilt, move, or attempt to empty the unit while it is operating or plugged in. Shut off, unplug and remove water tanks before moving unit.
6. **DO NOT** place the unit close to heated areas, such as near stoves, heaters or in direct sunlight.
7. **DO NOT** operate **OUTDOORS**. This humidifier is intended for indoor use only.
8. **DO NOT** let water get into the air inlets on the bottom of the enclosure or on the cord or plug.
9. **DO NOT** store or use gasoline or other flammable vapors and liquids near the humidifier.
10. **ALWAYS** make sure the water tank caps and gaskets are firmly in place.
11. **DO NOT** touch hot surfaces.
12. **ALWAYS** turn the humidifier off when the water tanks are empty or when the unit is not in use. If you turn your unit off for extended periods, **ALWAYS** disconnect the power cord and empty the water tanks and base.
13. **ALWAYS** place the unit on a firm flat, level, water resistant surface and arrange the power cord so that the product is unlikely to be upset.
14. **DO NOT** clean the product or service the UV bulb without disconnecting the power cord.
15. Before connecting to electric power outlet, check your electrical power supply. It must be 120 volts A.C. (alternating current). The outlet may be 15 amp or 20 amp. The circuit must be of adequate size and must be protected by fuse or circuit breaker.
16. This item has a polarized plug. As a safety feature, this plug will fit in a polarized electrical receptacle (outlet) only one way. If the plug does not fit fully in the outlet, reverse the plug. If it still does not fit, contact a qualified electrician.

17. **DO NOT** attempt to remove TOP HOUSING, NOZZLE OR MINERAL ABSORPTION PAD, during operation, or within 15 minutes after the humidifier is turned to the "OFF" position and unplugged. Serious injury may result. MINERAL ABSORPTION PAD, TOP HOUSING AND NOZZLE should only be removed for cleaning and maintenance purposes.

DO NOT place hands or face directly over TOP HOUSING while unit is in operation.

18. **Place unit in an area where it is not accessible to children.**

19. Before using the unit, check the power cord for any signs of damage.

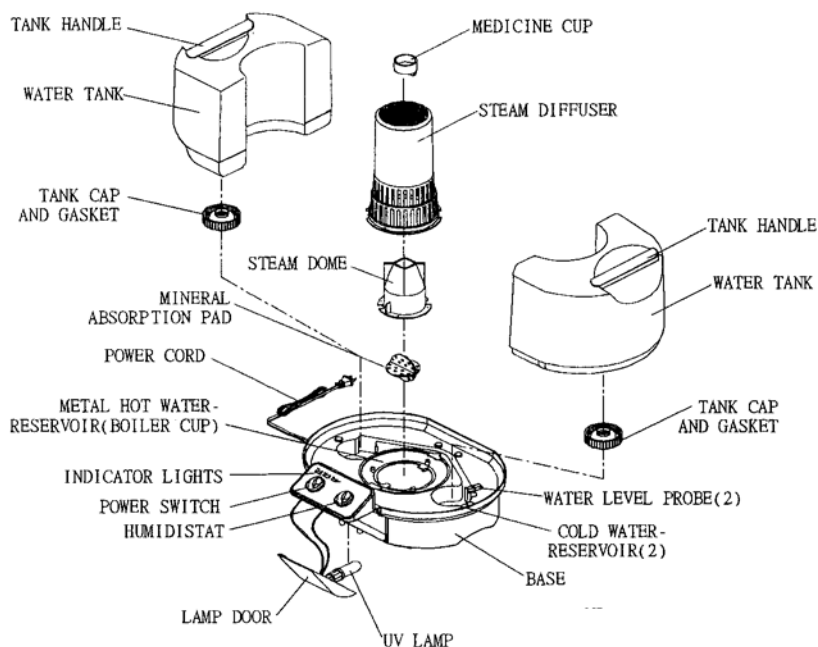
20. This humidifier requires daily and weekly maintenance.

21. Refer to CLEANING AND MAINTENANCE instructions provided. **NEVER** clean humidifier in any other manner than as instructed by this manual.

22. **WARNING** – Eye damage may result from directly viewing the light produced by UV bulb. **DO NOT** energize unit while lamp door is removed.

23. This product complies with Title 21 Code of Federal Regulations Chapter 1, Sub chapter J.

SAVE THESE INSTRUCTIONS



EWM-350 Shown

WEEKLY CLEANING AND MAINTENANCE ADVISORY

At least weekly cleaning is recommended, when the unit has been in use. Regular cleaning prevents mineral scale buildup in the hot water reservoir. It also helps prevent buildup of bacteria, molds or other microorganisms in the tank or system. This ensures that your humidifier will operate at maximum efficiency. (See page 6 for full cleaning instructions.)

HOW YOUR ENVIRACAIRE WARM MIST HUMIDIFIER WORKS

This humidifier uses a two-step approach to eliminate potentially harmful microorganisms from the water before they are spread with the mist into the air. The first step uses a UV bulb, located inside the base of the humidifier, that shines on the water through a special glass tube as it passes from the cold water reservoirs to the hot water reservoir. The second step is the boiling action that takes place in the hot water reservoir just before the mist is distributed to the air in the room.

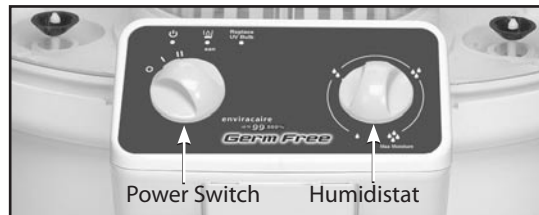
EWM-350 Shown



CONTROL PANEL POWER SWITCH — LO (I) AND HI (II) POSITIONS

When the switch is turned to the "LO" or "HI" setting and the unit is plugged in, the power is on. With the unit running in the "LO" setting, it will be producing vapor at a lower rate than when running in the "HI" setting.

EWM-350 Shown



OFF POSITION (O) - This cuts power to unit and should be used (in addition to unplugging unit) before moving, performing maintenance, etc.

REPLACE UV BULB

If the "REPLACE UV BULB" signal light is continuously illuminated during normal use (an occasional faint glow may occur when switching power on or other times, but this is normal), the bulb must be replaced with the same special 3.5W bulb, EUV-13B. See the enclosed order form. The UV bulb will operate at maximum output for approximately 2,000 hours. The UV bulb may operate longer than 2,000 hours but at a reduced output. To keep your humidifier operating at maximum efficiency it is recommended that the UV bulb be replaced after 2,000 hours of use.

REFILL INDICATOR (🔦)- When illuminated, the water tanks need refilling. See the section "Filling the Water Tank". If still illuminated a few minutes after full tank is placed on base, reposition water tanks. (Unit will operate with only one water tank.) Each time you fill tanks, rinse tanks, hot water reservoir and cold water reservoirs. Clean them according to CLEANING INSTRUCTIONS if minerals or film are present.

RELATIVE HUMIDITY CONTROL (🔧) - This controls the humidity level. If moderate humidity is desired, the control should be turned counterclockwise toward "LO"; and if higher humidity is desired, clockwise toward "HI".

NOTE: When you unpack your humidifier, you may find it has droplets of water on some surfaces. This is normal as every unit is tested prior to shipping. Carefully unpack humidifier and remove all packing material.

OPERATING INSTRUCTIONS

1. Place the base of the unit on a firm, flat, level and water resistant surface.
2. Fill the water tanks according to the instructions below and place on humidifier base.
3. Plug the power cord firmly and completely into the wall outlet.
4. Turn the power switch to either the LO or HI position (Lights may flicker momentarily). Then turn the relative humidity knob clockwise until you hear a faint click and the power light comes on. It will be normal for the humidifier to take a few minutes to warm up and begin to mist.
5. When the water tanks are empty, (after approximately 36 hours running time), the "REFILL WHEN LIT" lamp will go on, and the unit will stop heating. Refer to the "FILLING THE WATER TANKS" section.
6. Whenever the water falls below the level of the probes during operation, the heating element will shut off and stop heating, and the REFILL indicator will light.
7. The unit will operate as long as there is water in either tank and unit will operate with either one or both tanks.

FILLING THE WATER TANKS

1. Before filling the water tanks, turn the POWER switch to the "OFF" position and unplug unit. Refer to cleaning instructions.
2. Remove water tanks from base, turn each tank upside down and remove tank cap by turning counterclockwise. Fill tank with clean cold tap water. If using distilled water, add a few grains of table salt to each tank. Replace the tank cap by turning clockwise. Tighten firmly.
3. Carefully pick up tank, since it will be heavy when full, and slippery if wet.
4. Place water tanks on base. Make sure tanks are properly placed, otherwise, the humidifier will not work correctly.

USING THE MEDICINE CUP

In order to add a medicated vapor to the "mist" output:

1. Turn the POWER switch to the "OFF" position and allow the steam diffuser to cool.
2. Carefully add liquid medicine to medicine cup. DO NOT fill the cup more than half full.
3. Carefully place medicine cup on top of steam diffuser
4. Turn the POWER switch to either the LO or HI position.
5. After use, remove the cup from the unit and clean any residue from the cup with warm water.

WARNING:

DO NOT use any liquid medicine other than those specifically recommended for use with a steam vaporizer or warm mist humidifier.

DO NOT pour medicine directly into the steam diffuser openings nor add it to the water in the tank or tray.

MINERAL ABSORPTION PAD INSTRUCTIONS

Warm mist humidifiers do not spread fine mineral dust into the air that you breathe nor on your furniture, the way that other type humidifiers do. The mineral dust remains trapped in the humidifier hot water reservoir. Use of mineral absorption pads will play a major role in capturing and removing minerals from hot water reservoir, and preventing a stubborn mineral buildup. The unit can run without pads, but more frequent cleaning will be required. The Mineral Absorption pad that fits your unit is the EMP-15P

1. Before starting humidifier, place mineral absorption pad in the hot water reservoir. After the humidifier has been operating, the water will become HOT, and CAUTION should be exercised when handling mineral absorption pad. It is best to allow humidifier water to cool down, and to use tongs or long tweezers when handling pad.
2. The useful life of the mineral absorption pad will vary, depending on the mineral content of the water used. In areas of moderate mineral content water supply, the mineral absorption pad should be changed after approximately (3) weeks of continuous use. If the water is "Hard Water", the pad should be changed more frequently. The best way to tell when the pad should be changed is to examine it AFTER the water has cooled down, to see if it is still soft and pliable. When the pad is near the end of its life, it becomes stiff and hard and should be replaced with a new pad. Another sign to change pad is when scale begins to buildup on interior of hot water reservoir. If pad appears to disintegrate (normally due to use of softened water) discontinue use of pads.

CLEANING AND MAINTENANCE

Water contains minerals and other particles. During operation most of these minerals will remain in the water reservoir. Gradual buildup of deposits will coat the hot water reservoir and reduce its efficiency. The importance of routine cleaning and care cannot be over-emphasized. Hard water contains more minerals and other particles.

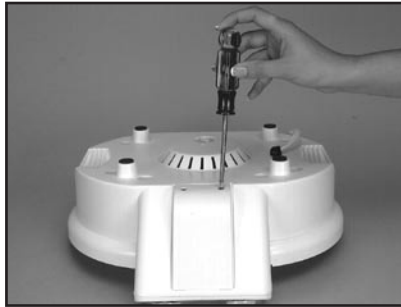
CLEANING INSTRUCTIONS

Failure to perform the necessary cleaning steps will damage unit.

1. Before cleaning, set CONTROLS to "OFF" position and unplug unit.
2. Remove water tanks from humidifier base, and drain water from tanks.
3. Allow at least 15 minutes for the hot water to cool after shutting unit "OFF" before moving base. Rotate steam diffuser counterclockwise until steam diffuser slots line up with tabs in base, and lift up. Rotate steam dome until steam dome slots line up with tabs in base and lift out. Remove mineral absorption pad from hot water reservoir using tweezers or tongs to prevent burns from hot water. When the cleaning procedure is completed, replace mineral absorption pad. To drain water from humidifier base, grasp with both hands and tilt to the side, draining water into the sink.
BE CAREFUL NOT TO HAVE DRAINING WATER FALL INTO CONTROLS OR VENT OPENINGS. DO NOT drain in any manner other than indicated.
WARNING: DO NOT place directly under running faucet.
4. Pour about 1 cup of white vinegar into either reservoir and allow it to soak for only 20 to 30 minutes.
5. Hold the base of the humidifier over the sink and tilt it on its side to empty the vinegar. Fill the cold and hot water reservoirs with clean, warm water to remove all traces of the vinegar. Remove any buildup of minerals in the hot water reservoir and from the two metal water level probes (they appear like two metal wires) using a small brush, such as a toothbrush. NOTE: The buildup is due to water hardness. The harder your water, the more often this maintenance will be needed. Empty all of this water by turning the unit on its side. If minerals remain in the metal (stainless steel) boiler cup, a metal scraper can be used to scrape off the mineral deposits. Be careful not to use any metal blade on any plastic parts. DO NOT ALLOW WATER TO ENTER THE BOTTOM OF THE HUMIDIFIER BASE OR ANY OTHER OPENINGS, OR IMMERSE THE CORD AND PLUG.
6. Disinfect the water tanks using a solution of one teaspoon of household chlorine bleach in 1 gallon of water. Let the solution sit for 20 minutes, swishing every few minutes to wet all surfaces. Empty the tanks completely; rinse thoroughly until all of the bleach smell is gone. Fill the tanks with fresh, cool water and replace them onto the humidifier base.
7. NEVER use any metal or hard objects to clean plastic parts which may cause scratching of the plastic parts. The only exception to this is the metal part of the hot water reservoir. A metal scraper can be used to clean this part only. NEVER use gasoline, kerosene, glass cleaner, furniture polish, paint thinner or other household solvents to clean any part of the humidifier.
8. Each day the reservoirs and tanks should be drained, rinsed and refilled with fresh tap water.
9. To clean exterior surfaces, use a solution of water and mild detergent with a wrung-out damp cloth. Rinse and wring out the cloth and wipe the exterior surfaces again. Finally, wipe with a dry cloth. Allow sufficient time to dry before plugging the electrical cord into the outlet.
10. After base is totally cleaned and dried, replace mineral absorption pad. Place steam dome on base by aligning its slots with tabs in base. (You may have to reposition steam dome to other set of tabs, because it will only fit one way.) Rotate steam dome clockwise until it locks. Place steam diffuser on base so that the slots in steam diffuser line up with tabs on the base. Rotate steam diffuser clockwise until it locks in place.
11. Replace tanks. Plug in the unit and resume normal use.

CHANGING THE UV BULB

1. If the "REPLACE UV BULB" indicator illuminates during normal use, it is time to change the UV bulb, which is a special 3.5W bulb.
2. Turn the POWER switch to the "OFF" position, unplug it and allow it to cool.
3. Remove the water tanks from the base of the humidifier. Remove steam diffuser and steam dome by rotating them counterclockwise and lift up.
4. Place the base of the humidifier over the sink and tilt the unit to remove any remaining water.
5. Carefully turn the base of the humidifier over and place it upside down on a flat level surface. You will see a door at front of unit that is closed with two Phillips head screws.
6. Using a Phillips head screwdriver, carefully turn the screws counterclockwise until the screws separate from the door.
7. Open the door, by pulling forward. The UV light bulb will be visible. Pull the door out the minimum amount to have access to unscrew bulb from socket.
8. Take a replacement 3.5W UV bulb that you purchased from Kaz Incorporated or another supplier and change the bulb. To prolong the life of the bulb, limit your direct contact with the glass of the bulb by using a cloth or tissue to screw it into place.
9. When the new bulb is in place, close the door and replace the screws by using your Phillips head screwdriver and rotating them clockwise until they are just tight.
DO NOT OVER TIGHTEN.
10. **DO NOT** turn power on, while UV lamp door is open, and **DO NOT** view illuminated bulb directly because eye damage may occur.
11. Turn the unit upright, place the water tanks on top of the base of the humidifier, plug the unit in, and turn the POWER switch to either the LO or HI position. The "REPLACE UV BULB" indicator should no longer be lit.



IMPORTANT NOTE: Even though you will not receive maximum germicidal effects, you can still use your humidifier until the replacement bulb arrives.

NOTE: You will hear a rattling sound and notice a small round object inside your bulb. This is normal. Your bulb is fully operational.



Lamp contains mercury. Manage in accordance with disposal laws.
See www.lamprecycle.org or call 1-800-895-8842

STORAGE TIPS

If you do not plan to use your humidifier for an extended period of time, such as during the summer months, it is important that you follow these instructions to help prevent problems from developing in the unit.

1. Clean your humidifier as instructed in the section titled, "Cleaning and Maintenance".
2. Make sure all water is emptied from the tanks and the hot and cold water reservoirs.
3. Dry your unit thoroughly.
4. Leave the tank caps off to expose the tanks to air.
5. Pack your humidifier in its original carton and store it in a cool, dry place.

SERVICE

DO NOT attempt to repair this humidifier yourself. For repairs covered under the warranty, contact Kaz Incorporated by telephone or mail for a Return Authorization Number.

TROUBLESHOOTING

TROUBLE	POSSIBLE CAUSES	SOLUTION
Unit does not mist	Unit is not plugged in	Plug in unit
	Power failure	Check circuit breaker
	Water tanks empty	Remove and refill
	Power switch not turned on	Turn on switch to LO or HI
	Unit not reset after refilling tanks	Reposition water tanks
	Water tank not properly located on base unit	Reposition water tanks
	Humidity level set is achieved	Turn Relative Humidity Control to higher setting
Water leaks from unit	Using distilled or treated water which does not contain enough ions	Add "pinch" of table salt
	Only one tank empties	Move unit to level surface. Raise end with full tank.
Water leaks from unit	Tank cap or tank cap gasket is missing or improperly positioned	Tighten cap. Replace tank cap or reposition cap gasket.
Moist air output low	Mineral buildup in hot water reservoir	Clean unit as per instructions.
Refill indicator light on	Water level is below water level probes	Refill water tanks and mount tanks on base
	Water level probes are covered with film	Clean probes per cleaning instructions
	Mineral buildup in hot water reservoir	Clean unit per cleaning instructions

LIMITED WARRANTY

IMPORTANT NOTICE

PLEASE CLEAN THIS GERM-FREE HUMIDIFIER AT LEAST ONCE A WEEK BY FOLLOWING THE CLEANING INSTRUCTIONS IN THE OWNER'S MANUAL. FAILURE TO REGULARLY CLEAN THIS GERM-FREE HUMIDIFIER WILL RESULT IN A BUILDUP OF MINERAL DEPOSITS WHICH WILL CAUSE THE UNIT TO CEASE TO OPERATE. IF THE UNIT FAILS TO FUNCTION BECAUSE IT HAS NOT BEEN CLEANED, THIS WILL VOID THE WARRANTY.

To the original purchaser or gift recipient of this humidifier.

1. If your Enviracaire humidifier fails in normal use because of a manufacturing defect within 90 days from the date of original purchase, Kaz Incorporated will repair the humidifier at no charge for parts, labor or shipment back to you (see instructions for returning unit below).
2. After the first 90 days, if a component part fails because of a manufacturing defect, Kaz Incorporated will repair or replace that component part up to 3 years from purchase date. There will be no charge for the component part or shipment back to you, but Kaz Incorporated reserves the right to charge for installation labor.
3. For cracked, chipped or broken water tanks, see item 4 below.
4. This warranty does not cover any product which in Kaz Incorporated's judgment has been (1) damaged as a result of accident, misuse or abuse (2) used for a purpose for which it was not designed, or (3) repaired or altered in any way that adversely affected its performance or reliability. This warranty does not cover scratches and wear of surfaces.
5. UV bulb replacement is a normal maintenance procedure and is therefore not covered under this warranty unless the bulb is found to be defective.
6. For repairs, call customer service at 1-800-477-0457 to request a return authorization number. Returned units will not be accepted at Kaz Incorporated without a return authorization number. Return humidifier to address shown below with dated sales receipt. The cost of shipment to Kaz Incorporated must be paid by the consumer. We suggest having tracking or delivery confirmation. Return to: Kaz Incorporated, Attn: Returns Dept., 4755 Southpoint Drive, Memphis, TN 38118. In Canada: Kaz Canada, Inc., Attn: Returns Dept., 510 Bronte Street South, Milton, Ontario L9T 2X6.
7. This warranty gives you specific legal rights and you may also have other rights which vary from state to state.
8. Kaz Incorporated makes no express warranties other than the warranties contained herein. Kaz Incorporated's sole obligation in the event of a breach of any implied warranty (including, but not limited to, implied warranties of merchantability and fitness for a particular purpose) is limited to repair or replacement, and all such warranties are limited in duration to the time periods after the date of original purchase as stated above. The warranty does not cover claims for incidental or consequential damages resulting from a breach of any express or implied warranty or any other reason including damages due to accident, abuse, lack of responsible care, the affixing of any unauthorized attachment, loss of parts, or use at a voltage other than specified.

Customer Service #: 1-800-477-0457

enviracaire®

Humidificateur électrique portatif à atomisation de brumes tièdes Germ-Free^{MC}, modèle EWM-300W et EWM-350



EWM-350

Breveté

- Instructions sur le fonctionnement, l'entretien et le nettoyage
- Garantie limitée

READ AND SAVE THESE INSTRUCTIONS

LIRE ATTENTIVEMENT LES INSTRUCTIONS SUIVANTES AVANT DE FAIRE FONCTIONNER CET HUMIDIFICATEUR. LE FAIT DE SUIVRE CES SIMPLES DIRECTIVES SUR L'EMPLOI ET L'ENTRETIEN DE L'APPAREIL CONTRIBUE À ASSURER UN RENDEMENT FIABLE ET EFFICACE DURANT DES ANNÉES DE VIE UTILE.

MESURES DE SÉCURITÉ IMPORTANTES

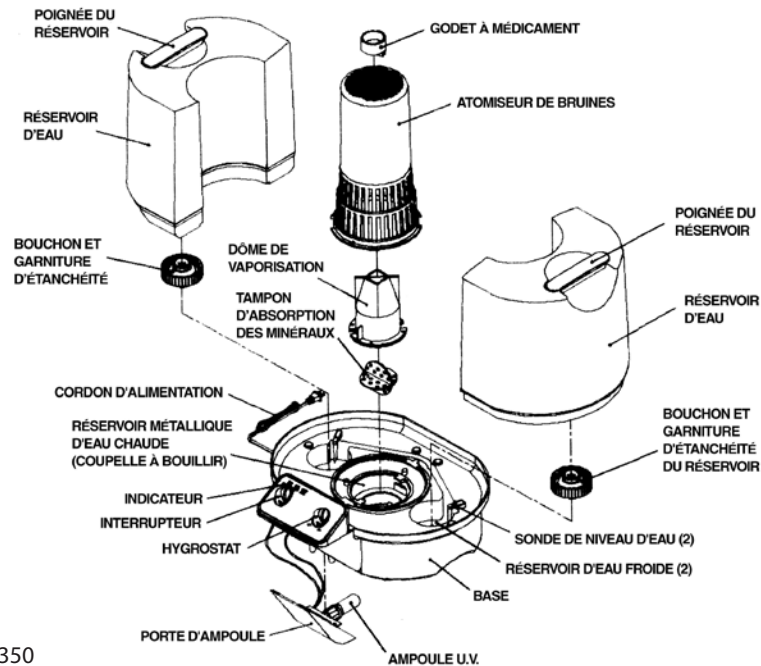
MISE EN GARDE : ÉTANT DONNÉ QUE CET APPAREIL FONCTIONNE À TEMPÉRATURE ÉLEVÉE, IL FAUT TOUJOURS PRENDRE LES PRÉCAUTIONS NORMALES, PARTICULIÈREMENT EN PRÉSENCE D'ENFANTS.

LORS DE L'UTILISATION DE TOUT APPAREIL ÉLECTRIQUE, LES MESURES DE SÉCURITÉ SUIVANTES DOIVENT ÊTRE RESPECTÉES :

1. **NE PAS** faire fonctionner cet humidificateur sans les réservoirs d'eau.
2. **TOUJOURS** utiliser une eau propre et fraîche provenant du robinet pour remplir les réservoirs d'eau.
3. Pour éviter les risques de feu ou de chocs électriques, **NE PAS** employer de rallonge.
4. **NE PAS** manipuler l'appareil avec les mains mouillées.
5. **NE JAMAIS** incliner, déplacer ni tenter de vider l'appareil lorsqu'il est sous tension ou branché. Éteindre, débrancher et retirer les réservoirs d'eau avant de déplacer l'appareil.
6. **NE PAS PLACER** l'appareil dans un endroit chaud tel qu'à proximité d'une cuisinière, d'une chaufferette ou sous les rayons du soleil.
7. **NE PAS FAIRE FONCTIONNER À L'EXTÉRIEUR.** Cet humidificateur a été conçu pour une utilisation à l'intérieur seulement.
8. **NE PAS** laisser de l'eau s'infiltrer dans le reniflard (admission d'air) situé au bas du boîtier, ni dans la prise de courant. **NE PAS LAISSER** l'eau entrer en contact avec le cordon d'alimentation.
9. **TENIR** l'humidificateur loin de l'essence, de liquides ou de produits émanant des vapeurs inflammables lors de son utilisation ou de son entreposage.
10. **TOUJOURS S'ASSURER** que le bouchon et la garniture d'étanchéité des réservoirs d'eau soient fermement en place.
11. **NE PAS** toucher aux surfaces chaudes.
12. **TOUJOURS** éteindre l'humidificateur lorsque le réservoir d'eau est vide ou que l'appareil n'est pas utilisé. Si l'appareil reste inutilisé pendant une longue période, **TOUJOURS** débrancher le cordon d'alimentation et vider le socle et le réservoir d'eau.
13. **TOUJOURS** placer l'appareil sur une surface plane et au niveau qui résiste à l'eau et s'assurer que le cordon d'alimentation soit à l'abri des endroits passants.
14. **NE PAS** nettoyer l'appareil ou changer l'ampoule UV sans avoir débranché au préalable le cordon d'alimentation.
15. Avant de brancher dans la prise de courant, vérifier la tension de l'alimentation électrique. Celle-ci doit être de 120 volts c.a. (courant alternatif). La prise de courant peut être de 15 ou de 20 A. Le circuit électrique doit fournir une puissance adéquate et être protégé par un coupe-circuit ou un disjoncteur.

16. Cet appareil est muni d'une fiche polarisée. Par mesure de sécurité, cette fiche est conçue pour ne s'insérer dans un réceptacle électrique (prise de courant) polarisé que d'une seule façon. Si la fiche ne s'insère pas complètement dans la prise, la tourner dans l'autre sens. Si elle ne s'insère toujours pas, appeler un électricien qualifié.
17. **NE PAS** tenter de retirer LE DÔME DE VAPORISATION, l'atomiseur de brumes OU LES TAMPONS D'ABSORPTION DES MINÉRAUX durant le fonctionnement de l'appareil ou moins de 15 minutes après avoir éteint et débranché l'appareil en raison du risque de graves blessures. LE DÔME DE VAPORISATION, l'atomiseur de brumes OU LES TAMPONS D'ABSORPTION DES MINÉRAUX ne devraient être enlevés que pour le nettoyage et l'entretien de l'appareil.
NE PAS PLACER les mains ou le visage directement au-dessus de l'atomiseur de brumes durant le fonction-nement de l'appareil.
18. **Placer l'appareil dans un endroit qui est hors de portée des enfants.**
19. Avant d'utiliser l'appareil, vérifier si le cordon d'alimentation est endommagé.
20. Cet humidificateur exige un entretien quotidien et un nettoyage hebdomadaire.
21. Voir la section intitulée NETTOYAGE ET ENTRETIEN.
NE NETTOYER l'humidificateur que de la façon qui y est décrite et pas autrement.
22. **AVERTISSEMENT** – Les yeux peuvent être blessés si vous regardez directement la lumière émise par l'ampoule UV. **NE PAS** mettre l'appareil en marche si le panneau de l'ampoule est ouvert.
23. Ce produit est conforme au titre 21 du Code of Federal Regulations, chapitre 1, section J.

VEUILLEZ CONSERVER CES INSTRUCTIONS



EWM-350

CONSEILS SUR L'ENTRETIEN ET LE NETTOYAGE HEBDOMADAIRE

Nous recommandons de nettoyer l'appareil au moins une fois par semaine lorsqu'il est utilisé. Un nettoyage régulier prévient l'accumulation de tartre dans le réservoir d'eau chaude. Il évite l'accumulation de bactéries, de moisissures ou d'autres micro-organismes dans les réservoirs ou dans l'appareil. Un nettoyage régulier assure une efficacité maximale de l'appareil. (Voir la page 16 pour les instructions complètes sur le nettoyage).

FONCTIONNEMENT DE L'HUMIDIFICATEUR ENVIRACAIRE À BRUINES TIÈDES

Le modèle utilise une méthode à deux étapes pour éliminer les micro-organismes potentiellement nuisibles qui se trouvent dans l'eau avant qu'ils puissent se disperser dans l'air. La première étape utilise une ampoule UV, située à l'intérieur du socle de l'humidificateur, qui irradie l'eau à travers un cylindre de verre spécial lorsqu'elle passe du contenant d'eau froide au contenant d'eau chaude. La deuxième étape consiste en l'ébullition dans le contenant d'eau chaude juste avant la poussée des bruines dans la pièce par le ventilateur.

EWM-350



BOUTON DE MISE EN MARCHE-ARRÊT DU TABLEAU DE COMMANDE RÉGLAGE À INTENSITÉ FAIBLE (I) ET ÉLEVÉE (II)

L'humidificateur est en fonction lorsque le bouton de mise en marche-arrêt est en position FAIBLE « LO » ou en position ÉLEVÉE « HI » et que l'appareil est branché. Lorsque l'appareil fonctionne en position FAIBLE « LO », le débit de vapeur est inférieur à celui qui est produit à intensité élevée « HI ».




EWM-350

POSITION D'ARRÊT (O) e bouton permet de couper le courant d'alimentation de l'appareil et doit être utilisé (en plus du débranchement de l'appareil) avant de le déplacer, d'en faire l'entretien, etc.

VOYANT LUMINEUX DE REMPLACEMENT DE L'AMPOULE UV

Quand le voyant de remplacement « REPLACE UV BULB » s'allume et demeure allumé au cours du fonctionnement normal de l'appareil (il pourrait s'illuminer faiblement lors de la mise en marche ou dans d'autres conditions, mais cela est normal), cela signifie que l'ampoule doit être remplacée par une ampoule semblable de 3,5 W qui est spéciale, EUV-13B. Voir le bon de commande ci-joint. L'ampoule UV fonctionne à une puissance de sortie maximale durant 2000 heures environ. La durée de vie utile de l'ampoule UV peut être plus longue si elle est utilisée à une puissance de sortie réduite. Pour un rendement optimal de l'humidificateur en tout temps, nous recommandons de remplacer l'ampoule UV après 2 000 heures d'utilisation.

VOYANT DE REMPLISSAGE (||) - Il s'allume pour indiquer que les réservoirs d'eau nécessitent un remplissage. Voir la section « Remplissage des réservoirs ». Si le voyant est toujours allumé quelques minutes après la remise en place d'un réservoir plein, remplacez les réservoirs sur le socle. (L'appareil peut fonctionner avec un seul réservoir d'eau). À chaque remplissage, rincer les réservoirs, tant celui à eau chaude que celui à eau froide, les nettoyer selon les INSTRUCTIONS SUR LE NETTOYAGE lorsqu'il y a formation d'une pellicule ou de dépôts de minéraux.

RÉGLAGE DE L'HUMIDITÉ RELATIVE (◆)

Il sert à régler le taux d'humidité. Pour abaisser le taux d'humidité, tournez le bouton de réglage dans le sens contraire des aiguilles d'une montre (LO) ; pour augmenter le taux d'humidité, tournez le bouton de réglage dans le sens des aiguilles d'une montre (HI).

REMARQUE : Il se peut qu'il y ait de fines gouttelettes d'eau sur certaines surfaces de l'humidificateur lorsque vous le déballez. C'est normal, chaque appareil étant vérifié avant l'expédition. Déballez soigneusement l'appareil et retirez tout le matériel d'emballage.

MODE D'EMPLOI

1. Placer la base sur une surface plane, au niveau et résistante à l'eau.
2. Remplir les réservoirs d'eau selon les instructions plus bas et les placer sur le socle de l'humidificateur.
3. Brancher le cordon d'alimentation fermement en l'insérant à fond dans la prise murale.
4. Tourner le bouton de marche en position faible « LO » ou élevée « HI » (les voyants pourraient clignoter). Tournez ensuite le bouton de réglage de l'humidité relative en le faisant tourner dans le sens des aiguilles d'une montre jusqu'à ce que vous entendiez un petit déclic et que le voyant de mise en marche s'allume. Normalement, l'humidificateur prend quelques minutes pour se réchauffer avant de produire la brume.
5. Lorsque les réservoirs d'eau sont vides (après un fonctionnement d'environ 36 h), le voyant de nettoyage/remplissage « REFILL WHEN LIT » s'allume et l'appareil cesse de chauffer. Voir la section « Remplissage des réservoirs ».
6. Dès que l'eau atteint un niveau inférieur à celui des sondes lors du fonctionnement de l'appareil, l'élément chauffant s'éteint et le voyant de REMPLISSAGE s'allume.
7. L'appareil fonctionne aussi longtemps qu'il y a de l'eau dans l'un ou l'autre des réservoirs. L'appareil peut fonctionner avec un ou deux réservoirs.

REMPLISSAGE DES RÉSERVOIRS D'EAU

1. Avant de remplir les réservoirs d'eau, tourner le bouton de marche-arrêt en position d'arrêt « OFF » et débrancher l'appareil. Voir les INSTRUCTIONS SUR LE NETTOYAGE.
2. Retirer les réservoirs d'eau du socle, tourner les réservoirs à l'envers puis enlever le bouchon des réservoirs en le tournant dans le sens contraire des aiguilles d'une montre. Remplir les réservoirs d'eau propre et fraîche provenant du robinet. Si vous utilisez de l'eau distillée, ajoutez quelques grains de sel à chaque réservoir. Remettre les bouchons en les tournant dans le sens des aiguilles d'une montre. Serrer fermement.
3. Soulever les réservoirs d'eau avec précaution étant donné qu'ils sont lourds une fois remplis et peut-être glissants s'ils sont mouillés.
4. Placer les réservoirs d'eau sur le socle. S'assurer qu'ils sont bien en place. Sinon, l'humidificateur ne peut fonctionner adéquatement.

UTILISATION DU GODET À MÉDECINE

Afin d'ajouter une brume médicamenteuse à la sortie de l'atomiseur :

1. Tourner le bouton de marche-arrêt en position d'arrêt « OFF » et laisser se refroidir l'atomiseur de brumes.
2. Verser soigneusement le médicament liquide dans le godet à médecine. NE PAS REMPLIR le godet à plus de la moitié.

3. Colocar el depósito para medicina cuidadosamente sobre el difusor de vapor.
4. Girar el interruptor a la posición de LO (Bajo) o HI (Alto).
5. Cuando se agote la medicina, sacar el depósito y lavarlo con agua tibia para eliminar todos los residuos.

ADVERTENCIA:

SÓLO USAR medicinas líquidas que estén específicamente recomendados para usarse con vaporizadores o humidificadores de vapor tibio.
NO ECHAR la medicina directamente en la abertura del difusor de vapor, al agua de los tanques ni a la bandeja.

INSTRUCCIONES PARA LA ALMOHADILLA DE ABSORCIÓN DE MINERALES.

Los humidificadores de vapor tibio no propagan al aire el fino polvo mineral que se respira o que cae a los muebles, como ocurre con otros tipos de humidificadores. Este polvo mineral se queda atrapado en el depósito de agua caliente del humidificador. El uso de estas almohadillas es de principal importancia en la acción de capturar y limpiar los minerales en el depósito de agua caliente, evitando así una tenaz acumulación de minerales. La unidad puede funcionar sin sus almohadillas de absorción de minerales, pero en ese caso se requerirá una limpieza más frecuente. Le tampon d'absorption des minéraux qui convient à votre appareil est le EMP-15P

1. Antes de hacer funcionar el humidificador, colocar una almohadilla de absorción de minerales en el depósito de agua caliente. Después que el humidificador ha estado funcionando, el agua se CALIENTA y es necesario tener gran CUIDADO para manipular la almohadilla. Lo mejor es permitir que el agua se enfríe y usar unas tenazas o pinzas largas para manipular la almohadilla.
2. La vida útil de la almohadilla varía de acuerdo con el contenido de minerales que tenga el agua que se usa. En lugares donde el agua tiene un contenido moderado de minerales, la almohadilla debe cambiarse después de aproximadamente tres (3) semanas de uso continuo. Cuando se utiliza "agua dura", la almohadilla debe cambiarse con más frecuencia. La mejor manera de saber que la almohadilla necesita cambiarse es inspeccionándola DESPUÉS de que el agua se ha enfriado, para ver si todavía está blanda y flexible. Al acercarse al final de su vida útil, la almohadilla se hace inflexible y dura y es necesario cambiarla por una nueva. Otra señal que es necesario cambiar la almohadilla es cuando se empieza a formar una capa de incrustaciones en el depósito de agua caliente. Si la almohadilla pareciera desintegrarse, (normalmente debido al uso de ablandadores o agua), deje de usarlas.

LIMPIEZA Y MANTENIMIENTO

El agua contiene minerales y otras partículas. Durante el funcionamiento del humidificador, la mayoría de estos minerales permanecerán en el depósito de agua. La acumulación gradual de minerales llenará el depósito y reducirá su eficiencia. No es exageración recalcar la importancia de un mantenimiento, limpieza y cuidado rutinario. El agua dura contiene más minerales y otras partículas.

INSTRUCCIONES PARA LA LIMPIEZA

Omitir las medidas necesarias para la limpieza causará daños al humidificador.

1. Antes de limpiar el humidificador, poner los CONTROLES en posición de "OFF" (Apagado) y desconectar el humidificador.
2. Retirar el tanque de agua de la base del humidificador y vaciar el agua de los tanques.
3. Esperar por lo menos 15 minutos después de apagar el humidificador para que el agua se enfríe antes de mover la base. Girar el difusor de vapor contra el sentido

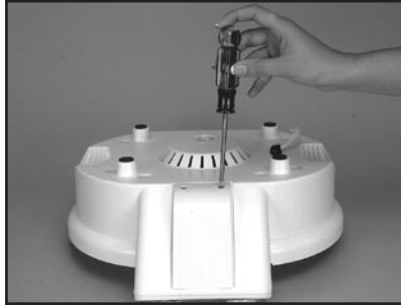
del reloj hasta que sus ranuras se alineen con las uñas de la base y levantarlo. Girar la cúpula de vapor hasta que sus ranuras se alineen con las uñas de la base y levantarla. Sacar la almohadilla de absorción de minerales del tanque de agua caliente usando pinzas o tenazas para evitar quemarse con el agua caliente. Cuando se termine el procedimiento de limpieza, reinstalar la almohadilla de absorción de minerales. Para vaciar el agua de la base del humidificador, agarrar la base con ambas manos e inclinarla para vaciar el agua en el fregadero. **NO PERMITIR QUE EL AGUA SE DERRAME SOBRE LOS CONTROLES NI LOS ORIFICIOS DE VENTILACIÓN. NO VACIAR** la base de manera distinta a la indicada.

ADVERTENCIA: NO COLOCAR la base directamente bajo el chorro de agua de la llave.

4. Verter aproximadamente una taza de vinagre blanco en cualquiera de los dos depósitos y dejarlo reposar por sólo unos 20 a 30 minutos.
5. Colocar la base del humidificador sobre el fregadero e inclinarla para vaciar el vinagre. Llenar los depósitos de agua fría y caliente con agua limpia y tibia para eliminar completamente los residuos de vinagre. Limpiar las acumulaciones de minerales en el depósito de agua caliente y de los dos sensores metálicos de nivel de agua, usando un cepillo pequeño, como para dientes. **NOTA :** Las acumulaciones se producen por la dureza del agua. Cuanto más dura sea el agua, con más frecuencia se requerirá este mantenimiento. Vaciar toda el agua inclinando el tanque. Si quedasen residuos minerales en la taza metálica (acero inoxidable) de hervir, puede usarse un instrumento metálico y para rascar y sacar los depósitos minerales. Cerciorarse de no usar metales en parte alguna de plástico. **NO PERMITIR QUE EL AGUA ENTRE POR DEBAJO DE LA BASE DEL HUMIDIFICADOR O POR CUALQUIER OTRO ORIFICIO, NI SUMERGIR EL CORDÓN O EL ENCHUFE.**
6. Desinfectar los tanques de agua con una solución de 1 galón (3.785 litros) de agua con una cucharada pequeña de blanqueador de cloro para uso doméstico. Dejar que la solución repose por 20 minutos, agitándola de vez en cuando para mojar toda la superficie. Vaciar los tanques completamente y enjuagarlos muy bien hasta que el olor del cloro desaparezca. Llenar los tanques con agua fresca y fría y regresarlos a su lugar en la base del humidificador.
7. **NUNCA** usar utensilios de metal o de materiales duros para limpiar las piezas de plástico porque pueden causar raspaduras. **NUNCA** usar, gasolina, kerosene, limpiador de cristales, cera para muebles, diluyente de pintura ni cualquier otra solución casera para limpiar parte alguna del humidificador.
8. Diariamente, el depósito y los tanques se deben vaciar, enjuagar y volver a llenar con agua fresca de la llave.
9. Para limpiar las superficies exteriores usar un paño exprimido después de haberlo mojado en una solución de agua con detergente suave. Enjuagar el paño, exprimirlo y volver a limpiar las superficies exteriores. Finalmente, limpiar con un paño seco. Esperar un tiempo suficiente para que las superficies se sequen antes de enchufar el cordón en el tomacorriente.
10. Después que la base esté completamente limpia y seca, volver a instalar la almohadilla de absorción de minerales. Instalar la cúpula en la base alineando sus ranuras con las uñas en la base. (La cúpula encaja en una sola posición en las uñas, por lo que tal vez se tenga que reposicionar). Luego girar la cúpula de vapor en el sentido del reloj hasta que enganche en posición. Instalar el difusor de vapor alineando sus ranuras con las uñas en la base y girar en el sentido del reloj hasta que enganche en posición.
11. Reinstalar los tanques. Enchufar la unidad a la corriente y volver a usarla en forma normal.

CAMBIO DEL FOCO UV

1. Si se enciende la luz de REPLACE UV BULB durante el uso normal, es señal que es necesario cambiar el foco UV que es un foco especial de 3.5W.
2. Colocar el interruptor en la posición de "OFF" (Apagado), desconectar el humidificador del tomacorriente y dejarlo enfriar.
3. Sacar los tanques de agua de la base del humidificador. Desmontar el difusor de vapor y la cúpula de vapor girándolos contra el sentido del reloj y levantándolos.
4. Colocar la base del humidificador sobre el fregadero e inclinarla para sacarle toda el agua que pueda tener.
5. Cuidadosamente, invertir la base del humidificador boca abajo sobre una superficie plana y bien nivelada. Notará que hay una compuerta en el frente de la unidad que está cerrada con dos tornillos con cabeza en cruz.
6. Usando un desarmador con punta en cruz (Phillips), girar los tornillos cuidadosamente contra el sentido del reloj hasta que salgan de la compuerta.
7. Abrir la compuerta halándola hacia adelante y se podrá ver el foco UV. Halar la compuerta el mínimo necesario para desenroscar el foco UV y sacarlo.
8. Cambiar el foco UV por otro nuevo de 3.5W comprado a Kaz Incorporated o a otro proveedor. Para prolongar la vida útil del foco nuevo, no tocar el vidrio del foco directamente con los dedos. Usar un paño o pañuelo de papel para instalar el foco.
9. Después de instalar el foco nuevo, cerrar la compuerta y volver a instalar los tornillos con un desarmador en cruz y girarlos en el sentido del reloj con el desarmador, pero sólo hasta ajustarlos. **NO SOBREAJUSTAR.**
10. **NO** encender mientras la compuerta del foco UV esté abierta, y **NO** mirar directamente al foco cuando esté encendido porque podrían ocasionarse lesiones a los ojos.
11. Poner el humidificador parado, instalarle los tanques de agua en la base, conectarlo al tomacorriente y girar el interruptor a la posición de LO (Bajo) o HI (Alto). El indicador de REPLACE UV BULB (Cambiar foco UV) no debe volverse a encender.



NOTA IMPORTANTE: Aunque no se obtenga el efecto germicida máximo, el humidificador puede seguirse usando hasta recibir el foco de repuesto.

NOTA: Oírás un crujido y verá un pequeño objeto redondo dentro de la bombilla. Es normal, la bombilla funciona normalmente.



La luz contiene mercurio. Bótela de acuerdo con la normativa referente a la eliminación de este tipo de residuos. Visite el sitio www.lamprecycle.org o llame al 1 800 895-8842.

CONSEILS POUR L'ENTREPOSAGE

Si vous prévoyez ne pas utiliser l'humidificateur pour une longue période, comme la saison estivale, il est important que vous suiviez les directives suivantes pour éviter d'avoir des problèmes avec l'appareil.

1. Nettoyer l'humidificateur selon les directives dans la section intitulée « Nettoyage et entretien ».
2. S'assurer qu'il n'y ait plus d'eau dans les réservoirs ni dans les contenants d'eau froide et d'eau chaude.
3. Bien assécher l'appareil.
4. Enlever les bouchons pour exposer les contenants à l'air.
5. Placer l'humidificateur dans son emballage original et le ranger dans un endroit frais et sec.

ENTRETIEN

NE PAS TENTER de réparer soi-même l'humidificateur. Pour les réparations durant la période de la garantie, communiquer par téléphone ou par écrit avec Kaz Incorporated pour obtenir un numéro d'autorisation de retour.

GUIDE DE DÉPANNAGE

PROBLÈMES	CAUSES POSSIBLES	SOLUTIONS
L'appareil n'émet pas de bruines	L'appareil n'est pas branché. Panne de courant. Réservoirs d'eau vides. Bouton marche-arrêt n'est pas allumé. L'appareil ne s'est pas remis en marche après remplissage du réservoir. Le réservoir d'eau n'est pas bien placé sur le socle de l'appareil. Le taux d'humidité voulu est atteint. Usage d'eau distillée ou traitée ne contenant pas assez d'ions. Un seul réservoir se vide	Brancher l'appareil. Vérifier le disjoncteur. Retirer et remplir. Tourner le bouton en position faible « LO » ou élevé « HI ». Replacer le réservoir d'eau. Replacer le réservoir d'eau. Tourner l'humidistat à un réglage plus élevé. Ajoutez une pincée de sel de table Mettre l'appareil sur une surface au niveau. Soulever l'extrémité du réservoir plein.
Fuite d'eau	Bouchon du réservoir ou garnitures d'étanchéité du réservoir manquant ou mal placé.	Resserrer le bouchon. Remplacer ou remettre en place la garniture du bouchon
Faible émission de bruines	Accumulation de calcaire dans le contenant d'eau chaude.	Nettoyer l'appareil selon les directives.
Voyant lumineux de remplissage allumé	L'eau a atteint un niveau inférieur aux sondes. Les sondes sont recouvertes d'une pellicule de dépôts minéraux. Accumulation de dépôts minéraux dans le réservoir d'eau chaude.	Remplir les réservoirs d'eau et monter les réservoirs sur le socle. Nettoyer les sondes selon les instructions. Nettoyer l'appareil selon les instructions.

GARANTIE LIMITÉE

AVIS IMPORTANT

NETTOYER CET HUMIDIFICATEUR GERM-FREE AU MOINS UNE FOIS PAR SEMAINE EN SUIVANT LES DIRECTIVES DE NETTOYAGE DANS LE GUIDE DE L'UTILISATEUR. UNE ACCUMULATION DE DÉPÔTS DE MINÉRAUX PAR FAUTE D'UN NETTOYAGE RÉGULIER PROVOQUE L'ARRÊT DU FONCTIONNEMENT DE L'APPAREIL. UNE PANNE DE L'APPAREIL CAUSÉE PAR UN MANQUE DE NETTOYAGE PROVOQUE L'ANNULATION LA GARANTIE.

Cette garantie s'applique au premier acheteur ou à la personne qui a reçu cet humidificateur en cadeau (client).

1. Si votre humidificateur ENVIRACAIRE présente un défaut de fabrication dans les 90 jours suivant la date d'achat original, Kaz Incorporated s'engage à le réparer gratuitement pour ce qui est des pièces, de la main-d'oeuvre et de l'expédition de retour au client (voir les instructions ci-dessous pour retourner l'appareil).
2. Si une pièce présente un défaut de fabrication après la période de 90 jours, Kaz Incorporated s'engage à la réparer ou la remplacer et ce, pour une période de trois ans à compter de la date d'achat. Aucuns frais ne seront imputés pour les pièces ou l'expédition de retour au client ; cependant Kaz Incorporated se réserve le droit de facturer les frais de main-d'oeuvre.
3. Pour les réservoirs craquelés, ébréchés ou brisés, consultez l'article 4 ci-dessous.
4. Cette garantie ne couvre pas un produit qui, selon Kaz Incorporated : 1) a subi des dommages à la suite d'un accident, d'une mauvaise utilisation ou d'un emploi abusif ; 2) a été utilisé dans un but pour lequel il n'a pas été conçu ; 3) a été réparé ou modifié ce qui en a diminué le rendement ou la fiabilité. Cette garantie ne couvre pas les éraflures, ni l'usure des surfaces.
5. Le remplacement de l'ampoule UV est une tâche d'entretien normale. Par conséquent, l'ampoule ne tombe pas sous cette garantie à moins qu'elle ne soit défectueuse.
6. Pour une réparation, appeler le service à la clientèle au 1 800 477-0457 pour obtenir un numéro d'autorisation de retour. Les appareils retournés sans numéro d'autorisation de retour, ne seront pas acceptés par Kaz Incorporated. Retourner l'humidificateur avec le coupon de caisse indiquant la date d'achat à l'adresse plus bas. Les frais d'expédition de l'appareil à Kaz Incorporated doivent être défrayés par le client. Nous vous suggérons de demander une confirmation de suivi ou de livraison. L'adresse est la suivante : Kaz Incorporated, Attn: Returns Dept., 4755 Southpoint Drive, Memphis, TN 38118.
Au Canada : Kaz Canada, Inc., Attn: Returns Dept., 510 Bronte Street South, Milton, Ontario L9T 2X6.
7. Cette garantie vous donne des droits particuliers qui sont reconnus par la loi. Il se peut que vous ayez d'autres droits qui varient d'un État ou d'une province à l'autre.
8. Kaz Incorporated ne donne aucunes garanties, implicites ou explicites, autres que la garantie plus haut indiquée. Dans le cas d'une rupture de garantie implicite (y compris, sans toutefois se limiter, les garanties implicites de la qualité marchande ou de l'à-propos du produit pour un besoin particulier), la seule obligation de Kaz Incorporated se limite à la réparation ou au remplacement de l'appareil. La durée de la garantie se limite aux périodes indiquées plus haut et est en vigueur à partir de la date d'achat. La garantie ne couvre pas les demandes de règlement pour des dommages directs ou indirects découlant d'un bris d'une garantie implicite ou explicite ou pour toutes autres raisons, y compris les dommages causés par un accident, un emploi abusif, un manque de soins, la fixation d'un accessoire non autorisé, la perte de pièces ou de l'utilisation de l'appareil à une tension autre que celle indiquée.

SERVICE À LA CLIENTÈLE : 1 800 477-0457

enviraire®

Humedecedor Antigérmenes^{MC} Eléctrico Portátil
de Vapor Tibio Modelo EWM-300W y EWM-350



EWM-350

Patentado

- Instrucciones para la Operación, Cuidado y Limpieza
- Garantía Limitada

LEA Y CONSERVE ESTAS INSTRUCCIONES

Impreso en CHINA

21

LEER TODAS LAS INSTRUCCIONES SIGUIENTES ANTES DE intentar HACER FUNCIONAR EL HUMEDECEDOR. SEGUIR ESTAS SIMPLES PAUTAS AYUDARÁ A OBTENER AÑOS DE SERVICIO CONFIABLE Y EFICIENTE.

PAUTAS IMPORTANTES DE SEGURIDAD

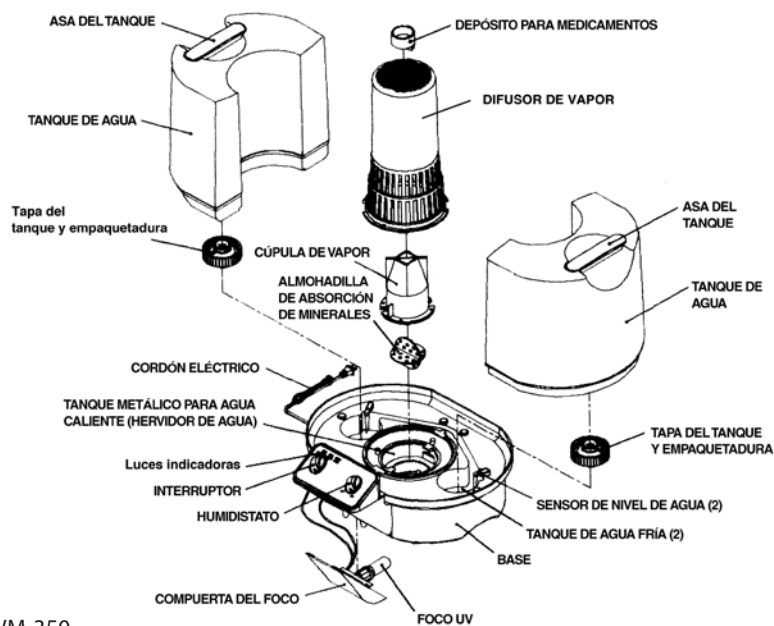
ADVERTENCIA: DEBIDO A LA ALTA TEMPERATURA QUE SE GENERA EN ESTE HUMEDECEDOR ES NECESARIO SIEMPRE SEGUIR LAS PRECAUCIONES BÁSICAS DE SEGURIDAD, ESPECIALMENTE CUANDO HAY NIÑOS PRESENTES.

AL USAR ARTEFACTOS ELÉCTRICOS, SE DEBEN SEGUIR ESTAS PRECAUCIONES BÁSICAS DE SEGURIDAD.

1. **No** operar el humidificador sin los tanques de agua.
2. **SIEMPRE** usar agua limpia y fría de la llave para llenar los tanques de agua.
3. Para evitar el riesgo de fuego o choque eléctrico, **NO USAR** cordón eléctrico de extensión.
4. **NO MANIPULAR** el humidificador con las manos mojadas.
5. **NUNCA** inclinar, mover o intentar vaciar el humidificador cuando esté funcionando o enchufado. Apagar el humidificador, desconectar el enchufe y retirar el tanque de agua antes de mover el humidificador.
6. **NO COLOCAR** el humidificador cerca a fuentes de calor tales como cocinas, estufas o rejillas de calefacción, ni directamente bajo los rayos del sol.
7. **NO OPERAR** el humidificador AL AIRE LIBRE. Este humidificador es solamente para uso en interiores.
8. **NO PERMITIR** que ingrese agua en los orificios para el aire que están en la parte inferior de la caja, ni dejar caer agua sobre el cordón o el enchufe.
9. **NO ALMACENAR** ni usar gasolina u otros líquidos o vapores inflamables cerca del humidificador.
10. **SIEMPRE** cerciorarse de que las tapas y empaquetaduras de los tanques estén firmemente colocadas.
11. **NO TOCAR** las superficies calientes.
12. **SIEMPRE** apagar el humidificador cuando los tanques de agua estén vacíos o cuando el humidificador no esté en uso. Si apaga el humidificador por períodos largos, SIEMPRE desconectar el cordón del tomacorriente y vaciar el tanque de agua y la base.
13. **SIEMPRE** colocar el humidificador sobre una **superficie firme, plana, bien nivelada y que sea resistente al agua**. También acomodar el cordón de manera que no haya riesgo de volcar el humidificador.
14. **NUNCA** limpiar el humidificador ni cambiar el foco UV (ultravioleta) sin desconectar el cordón del tomacorriente.
15. Antes de conectar el humidificador al tomacorriente, cerciorarse que la corriente sea alterna de 120 voltios. El tomacorriente puede ser de 15 ó 20 amperios. El circuito debe tener la capacidad adecuada y debe estar protegido por un fusible o interruptor automático de circuito.

16. Este humidificador está equipado con un enchufe polarizado. Como medida de protección, este enchufe sólo puede insertarse en una posición determinada en un tomacorriente polarizado. Si el enchufe no encaja por completo, invertirlo. En caso que aun así no encaje, consultar con un electricista calificado.
17. **NO INTENTAR** sacar la CÚPULA DE VAPOR, EL DIFUSOR DE VAPOR NI LA ALMOHADILLA DE ABSORCIÓN DE MINERALES mientras el humidificador esté en funcionamiento ni dentro de los 15 minutos posteriores a haber colocado el interruptor en la posición de "OFF" (Apagado) y haber desenchufado la unidad del tomacorriente, porque pueden ocasionarse lesiones serias. La CÚPULA DE VAPOR, EL DIFUSOR DE VAPOR Y LA ALMOHADILLA DE ABSORCIÓN DE MINERALES sólo deben sacarse para limpieza y mantenimiento. **NO** colocar las manos o la cara directamente sobre el difusor de vapor mientras la unidad esté en operación.
18. **Colocar el humidificador fuera del alcance de los niños.**
19. Antes de usar el humidificador, revisar si el cordón eléctrico no tiene averías.
20. Este humidificador requiere mantenimiento diario y semanal.
21. Leer las instrucciones de "Limpieza y Mantenimiento" que se incluyen. **NUNCA limpiar** el humidificador en forma diferente a la descrita en este manual.
22. **ADVERTENCIA:** Pueden producirse lesiones a los ojos si se mira directamente a la luz del foco UV. **NO** energice la unidad cuando la compuerta del foco no esté instalada.
23. Este producto cumple con el título 21 del Code of Federal Regulations, capítulo 1, sección J.

CONSERVE ESTAS INSTRUCCIONES



EWM-350

RECOMENDACIONES PARA LA LIMPIEZA Y MANTENIMIENTO SEMANAL

Cuando la unidad esté en uso, se recomienda limpiarla por lo menos una vez por semana. La limpieza regular previene la acumulación de minerales en el depósito de agua caliente. Esto también ayuda a evitar acumulaciones de bacterias, moho y otros microorganismos en los tanques o en el sistema. Así se logrará que el humidificador funcione con mayor eficiencia. (Ver las instrucciones detalladas de limpieza en la página 26.)

CÓMO FUNCIONA EL HUMEDECEDOR Enviraicare DE VAPOR TIBIO

El humidificador modelo utiliza un proceso de dos pasos para eliminar los microorganismos potencialmente dañinos del agua antes que se diseminen por el aire con el vapor. El primer paso consiste en un foco UV (ultravioleta), situado dentro de la base del humidificador que ilumina el agua a través de un tubo especial de vidrio cuando pasa de los tanques de agua fría al depósito de agua caliente. El segundo paso es la acción de hervir el agua en el depósito de agua caliente antes de distribuir el vapor en el aire de la habitación.

EWM-350



PANEL DE CONTROL INTERRUPTOR – POSICIONES LO (I)(BAJO) Y HI (II)(ALTO) –

Cuando la unidad esté enchufada, colocar la perilla en la posición LO (Bajo) para producir la menor cantidad de vapor o en HI (Alto) para la mayor cantidad de vapor.



EWM-350

POSICIÓN off (O)(Apagado) – Apaga la unidad. Debe ponerse en esta posición cuando se traslade la unidad o se le haga mantenimiento, etc. (además de desenchufarse de la corriente).

LUZ INDICADORA-CAMBIO DE FOCO UV

Si la luz indicadora "REPLACE UV BULB" se mantiene encendida durante el uso normal, el foco UV debe cambiarse por otro igual con la especificación 3.5W (ver el formulario para ordenarlo que se incluye), EUV-13B. Algunas veces al encender la unidad o en cualquier otro momento, esta luz indicadora podría encenderse tenuemente, esto es normal y no indica la necesidad de cambiar el foco. El foco UV podrá operar por más de 2000 horas, pero a capacidad reducida. Para mantener operativo su humidificador en su eficiencia máxima, se recomienda que el foco UV sea reemplazado cada 2000 horas de uso.

LUZ INDICADORA "REFILL" (🔌)(RELLENAR) - Cuando se enciende indica que los tanques de agua deben llenarse nuevamente. Ver la sección "Cómo llenar los Tanques de Agua". Si la luz sigue encendida después de varios minutos de rellenar los tanques e instalarlos en la base, reposicionarlos. (La unidad puede funcionar con sólo un tanque de agua.) Cada vez que se rellenen los tanques de agua, enjuagar los tanques de agua fría y caliente y observar si hay residuos minerales o una capa de musgo. Si los hubiese, lávelos siguiendo las INSTRUCCIONES DE LIMPIEZA.

CONTROL DE HUMEDAD RELATIVA (💧) - Controla el nivel de humedad. Si se desea un nivel moderado de humedad, girar la perilla de control a la izquierda hacia "LO" (Bajo). Si se desea un nivel alto de humedad, girar la perilla a la derecha hacia "HI" (Alto).
NOTA: Al desempacar el humidificador, puede ser que se observen algunas gotitas de agua en algunas de sus superficies. Esto es normal debido a que se prueba cada unidad antes de despacharla. Desempacar el humidificador cuidadosamente y quitarle todo el material de embalaje.

INSTRUCCIONES PARA OPERAR

1. Coloque la base de la unidad sobre una superficie plana, nivelada y resistente al agua.
2. Llenar los tanques de agua de acuerdo a las instrucciones que se indican más abajo y colocarlos en la base del humidificador.
3. Conectar el enchufe del cordón eléctrico firme y completamente dentro del toma corriente en la pared.
4. Girar el interruptor a la posición de LO (Bajo) o HI (ALTO) (las luces podrían parpadear momentáneamente). Luego girar la perilla del control de humedad relativa en el sentido del reloj hasta escuchar un clic y que la luz de "POWER" se encienda. Es normal que al humidificador le tome unos minutos para calentar y comenzar a despedir vapor.
5. Cuando los tanques de agua estén vacíos (después de aproximadamente 36 horas de funcionamiento) la luz indicadora "REFILL" se encenderá y el humidificador dejará de calentar. Referirse a la sección COMO RELLENAR LOS TANQUES DE AGUA.
6. Siempre que durante la operación el nivel del agua caiga bajo el nivel del sensor, el elemento calentador se apagará y dejará de calentar, y se encenderá la luz indicadora. REFILL (Rellenar).
7. La unidad funcionará mientras haya agua en cualquiera de los tanques y funcionará con cualquiera de los dos tanques o con ambos.

CÓMO LLENAR LOS TANQUES DE AGUA

1. Antes de levantar los tanques de agua, girar la perilla del interruptor a la posición de OFF (Apagado) y desenchufarla del tomacorriente. Referirse a las INSTRUCCIONES DE LIMPIEZA.
2. Retire los tanques de agua de la base, inviertalos boca abajo y quite la tapa de cada tanque girándola hacia la izquierda. Llène el tanque con agua limpia y fría de la llave. Ponga nuevamente la tapa en cada tanque haciéndola girar hacia la derecha. Apriete la tapa firmemente. Si se usa agua destilada, agregar unos granos de de sal de mesa a cada tanque.
3. Cuando los tanques estén llenos, levantarlos cuidadosamente porque estarán pesados y además resbalosos si estuviesen mojados.
4. Colocar los tanques de agua en la base. Cerciorarse de asentar bien los tanques, de lo contrario el humidificador no trabajará correctamente.

USO DEL DEPÓSITO PARA MEDICINA

Para incorporar una medicina al vapor que echa la unidad:

1. Girar el interruptor a la posición de OFF (Apagado) y esperar a que el difusor de vapor se enfríe.
2. Echar la medicina líquido cuidadosamente sin llenar el depósito más de la mitad.
3. Colocar el depósito para medicina cuidadosamente sobre el difusor de vapor.

4. Girar el interruptor a la posición de LO (Bajo) o HI (Alto).
5. Cuando se agote la medicina, sacar el depósito y lavarlo con agua tibia para eliminar todos los residuos.

ADVERTENCIA:

SÓLO USAR medicinas líquidas que estén específicamente recomendados para usarse con vaporizadores o humidificadores de vapor tibio.

NO ECHAR la medicina directamente en la abertura del difusor de vapor, al agua de los tanques ni a la bandeja.

INSTRUCCIONES PARA LA ALMOHADILLA DE ABSORCIÓN DE MINERALES.

Los humidificadores de vapor tibio no propagan al aire el fino polvo mineral que se respira o que cae a los muebles, como ocurre con otros tipos de humidificadores. Este polvo mineral se queda atrapado en el depósito de agua caliente del humidificador. El uso de estas almohadillas es de principal importancia en la acción de capturar y limpiar los minerales en el depósito de agua caliente, evitando así una tenaz acumulación de minerales. La unidad puede funcionar sin sus almohadillas de absorción de minerales, pero en ese caso se requerirá una limpieza más frecuente. La almohadilla de absorción de minerales que conviene a su aparato es la EMP-15P

1. Antes de hacer funcionar el humidificador, colocar una almohadilla de absorción de minerales en el depósito de agua caliente. Después que el humidificador ha estado funcionando, el agua se CALIENTA y es necesario tener gran CUIDADO para manipular la almohadilla. Lo mejor es permitir que el agua se enfríe y usar unas tenazas o pinzas largas para manipular la almohadilla.
2. La vida útil de la almohadilla varía de acuerdo con el contenido de minerales que tenga el agua que se usa. En lugares donde el agua tiene un contenido moderado de minerales, la almohadilla debe cambiarse después de aproximadamente tres (3) semanas de uso continuo. Cuando se utiliza "agua dura", la almohadilla debe cambiarse con más frecuencia. La mejor manera de saber que la almohadilla necesita cambiarse es inspeccionándola DESPUÉS de que el agua se ha enfriado, para ver si todavía está blanda y flexible. Al acercarse al final de su vida útil, la almohadilla se hace inflexible y dura y es necesario cambiarla por una nueva. Otra señal que es necesario cambiar la almohadilla es cuando se empieza a formar una capa de incrustaciones en el depósito de agua caliente. Si la almohadilla pareciera desintegrarse, (normalmente debido al uso de ablandadores o agua), deje de usarlas.

LIMPIEZA Y MANTENIMIENTO

El agua contiene minerales y otras partículas. Durante el funcionamiento del humidificador, la mayoría de estos minerales permanecerán en el depósito de agua. La acumulación gradual de minerales llenará el depósito y reducirá su eficiencia. No es exageración recalcar la importancia de un mantenimiento, limpieza y cuidado rutinario. El agua dura contiene más minerales y otras partículas.

INSTRUCCIONES PARA LA LIMPIEZA

Omitir las medidas necesarias para la limpieza causará daños al humidificador.

1. Antes de limpiar el humidificador, poner los CONTROLES en posición de "OFF" (Apagado) y desconectar el humidificador.
2. Retirar el tanque de agua de la base del humidificador y vaciar el agua de los tanques.
3. Esperar por lo menos 15 minutos después de apagar el humidificador para que el agua se enfríe antes de mover la base.

Girar el difusor de vapor contra el sentido del reloj hasta que sus ranuras se alineen con las uñas de la base y levantarlo. Girar la cúpula de vapor hasta que sus ranuras se alineen con las uñas de la base y levantarla. Sacar la almohadilla de absorción de minerales del tanque de agua caliente usando pinzas o tenazas para evitar quemarse con el agua caliente. Cuando se termine el procedimiento de limpieza, reinstalar la almohadilla de absorción de minerales. Para vaciar el agua de la base del humidificador, agarrar la base con ambas manos e inclinarla para vaciar el agua en el fregadero.

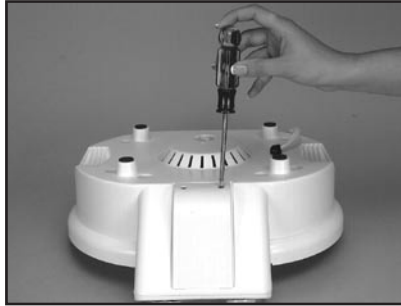
NO PERMITIR QUE EL AGUA SE DERRAME SOBRE LOS CONTROLES NI LOS ORIFICIOS DE VENTILACIÓN. NO VACIAR la base de manera distinta a la indicada.

ADVERTENCIA: NO COLOCAR la base directamente bajo el chorro de agua de la llave.

4. Verter aproximadamente una taza de vinagre blanco en cualquiera de los dos depósitos y dejarlo reposar por sólo unos 20 a 30 minutos.
5. Colocar la base del humidificador sobre el fregadero e inclinarla para vaciar el vinagre. Llenar los depósitos de agua fría y caliente con agua limpia y tibia para eliminar completamente los residuos de vinagre. Limpiar las acumulaciones de minerales en el depósito de agua caliente y de los dos sensores metálicos de nivel de agua, usando un cepillo pequeño, como para dientes. **NOTA:** Las acumulaciones se producen por la dureza del agua. Cuanto más dura sea el agua, con más frecuencia se requerirá este mantenimiento. Vaciar toda el agua inclinando el tanque. Si quedasen residuos minerales en la taza metálica (acero inoxidable) de hervir, puede usarse un instrumento metálico y para rascar y sacar los depósitos minerales. Cerciorarse de no usar metales en parte alguna de plástico.
NO PERMITIR QUE EL AGUA ENTRE POR DEBAJO DE LA BASE DEL HUMIDIFICADOR O POR CUALQUIER OTRO ORIFICIO, NI SUMERGIR EL CORDÓN O EL ENCHUFE.
6. Desinfectar los tanques de agua con una solución de 1 galón (3.785 litros) de agua con una cucharada pequeña de blanqueador de cloro para uso doméstico. Dejar que la solución repose por 20 minutos, agitándola de vez en cuando para mojar toda la superficie. Vaciar los tanques completamente y enjuagarlos muy bien hasta que el olor del cloro desaparezca. Llenar los tanques con agua fresca y fría y regresarlos a su lugar en la base del humidificador.
7. **NUNCA** usar utensilios de metal o de materiales duros para limpiar las piezas de plástico porque pueden causar raspaduras. **NUNCA** usar, gasolina, kerosene, limpiador de cristales, cera para muebles, diluyente de pintura ni cualquier otra solución casera para limpiar parte alguna del humidificador.
8. Diariamente, el depósito y los tanques se deben vaciar, enjuagar y volver a llenar con agua fresca de la llave.
9. Para limpiar las superficies exteriores usar un paño exprimido después de haberlo mojado en una solución de agua con detergente suave. Enjuagar el paño, exprimirlo y volver a limpiar las superficies exteriores. Finalmente, limpiar con un paño seco. Esperar un tiempo suficiente para que las superficies se sequen antes de enchufar el cordón en el tomacorriente.
10. Después que la base esté completamente limpia y seca, volver a instalar la almohadilla de absorción de minerales. Instalar la cúpula en la base alineando sus ranuras con las uñas en la base. (La cúpula encaja en una sola posición en las uñas, por lo que tal vez se tenga que reposicionar). Luego girar la cúpula de vapor en el sentido del reloj hasta que enganche en posición. Instalar el difusor de vapor alineando sus ranuras con las uñas en la base y girar en el sentido del reloj hasta que enganche en posición.
11. Reinstalar los tanques. Enchufar la unidad a la corriente y volver a usarla en forma normal.

CAMBIO DEL FOCO UV

1. Si se enciende la luz de REPLACE UV BULB durante el uso normal, es señal que es necesario cambiar el foco UV que es un foco especial de 3.5W.
2. Colocar el interruptor en la posición de "OFF" (Apagado), desconectar el humidificador del tomacorriente y dejarlo enfriar.
3. Sacar los tanques de agua de la base del humidificador. Desmontar el difusor de vapor y la cúpula de vapor girándolos contra el sentido del reloj y levantándolos.
4. Colocar la base del humidificador sobre el fregadero e inclinarla para sacarle toda el agua que pueda tener.
5. Cuidadosamente, invertir la base del humidificador boca abajo sobre una superficie plana y bien nivelada. Notará que hay una compuerta en el frente de la unidad que está cerrada con dos tornillos con cabeza en cruz.
6. Usando un desarmador con punta en cruz (Phillips), girar los tornillos cuidadosamente contra el sentido del reloj hasta que salgan de la compuerta.
7. Abrir la compuerta halándola hacia adelante y se podrá ver el foco UV. Halar la compuerta el mínimo necesario para desenroscar el foco UV y sacarlo.
8. Cambiar el foco UV por otro nuevo de 3.5W comprado a Kaz Incorporated o a otro proveedor. Para prolongar la vida útil del foco nuevo, no tocar el vidrio del foco directamente con los dedos. Usar un paño o pañuelo de papel para instalar el foco.
9. Después de instalar el foco nuevo, cerrar la compuerta y volver a instalar los tornillos con un desarmador en cruz y girarlos en el sentido del reloj con el desarmador, pero sólo hasta ajustarlos. **NO SOBREAJUSTAR.**
10. **NO** encender mientras la compuerta del foco UV esté abierta, y **NO** mirar directamente al foco cuando esté encendido porque podrían ocasionarse lesiones a los ojos.
11. Poner el humidificador parado, instalarle los tanques de agua en la base, conectarlo al tomacorriente y girar el interruptor a la posición de LO (Bajo) o HI (Alto). El indicador de REPLACE UV BULB (Cambiar foco UV) no debe volverse a encender.



NOTA IMPORTANTE: Aunque no se obtenga el efecto germicida máximo, el humidificador puede seguirse usando hasta recibir el foco de repuesto.

NOTA: Oírás un crujido y verá un pequeño objeto redondo dentro de la bombilla. Es normal, la bombilla funciona normalmente.



La luz contiene mercurio. Bótela de acuerdo con la normativa referente a la eliminación de este tipo de residuos. Visite el sitio www.lamprecycle.org o llame al 1 800 895-8842.

CONSEJOS PARA ALMACENAR

Si no planea usar el humidificador por un largo tiempo, por ejemplo durante los meses de verano, es importante seguir estas instrucciones para evitar que surjan problemas en el humidificador.

1. Limpiar el humidificador como se indica en la sección "Limpieza y Mantenimiento".
2. Cerciorarse de vaciar toda el agua de los tanques y los depósitos de agua fría y caliente.
3. Secar el humidificador completamente.
4. No colocarle las tapas al tanques para exponerlo al aire.
5. Empacar el humidificador en su caja original y almacenarlo en un lugar fresco y seco.

SERVICIO

No intentar reparar este humidificador usted mismo. Para recibir servicios de reparación cubiertos por la garantía, comunicarse con Kaz Incorporated por teléfono o correo para obtener un Número de Autorización de Devolución.

DIAGNÓSTICO DE PROBLEMAS

PROBLEMA	CAUSA POSIBLE	SOLUCIÓN
El humidificador no produce vapor	El humidificador no está conectado. No hay corriente eléctrica. Los tanques de agua están vacíos. El interruptor está apagado. No se oprimió el botón de RESET después de llenar los tanques. Los tanques de agua no están bien colocados en la base. Se ha alcanzado el nivel de humedad seleccionado. Se está usando agua destilada o tratada que no contiene suficientes iones. Sólo un tanque se vacía	Conectar el humidificador. Revisar el cortacircuitos. Desmontarlos y llenarlos. Girar el interruptor a la posición de LO (Bajo) o HI (Alto) Reposicionar los tanques de agua. Reposicionar los tanques de agua. Girar la perilla de control de humedad a un nivel más alto. Agregue una pizca de sal de mesa Mueva la unidad a una superficie nivelada. Levante el extremo del tanque lleno.
El humidificador tiene una fuga de agua	De las tapas de los tanques, o de los tanques mismos están faltando o están mal colocadas.	Ajustar las tapas. Colocar bien las empaquetaduras o cambiarlas.
Produce poca humedad	Hay acumulación de minerales en los tanques de agua caliente.	Limpiar la unidad de acuerdo a las instrucciones.
El indicador Refill (Rellenar) se enciende	El agua está por debajo del sensor de nivel. Los sensores de nivel están cubiertos con una capa de musgo. Acumulación de minerales en el tanque de agua caliente.	Rellenar los tanques de agua e instalarlos en la base Limpiar los sensores siguiendo las instrucciones. Limpiar la unidad siguiendo las instrucciones.

GARANTÍA LIMITADA

AVISO IMPORTANTE

POR FAVOR LIMPIAR ESTE HUMEDECEDOR ANTIGÉRMENES POR LO MENOS UNA VEZ POR SEMANA SIGUIENDO LAS INSTRUCCIONES DE LIMPIEZA CONTENIDAS EN EL MANUAL DEL OPERADOR. SI NO SE LIMPIA REGULARMENTE ESTE HUMEDECEDOR, SE LE ACUMULARÁN DEPÓSITOS MINERALES QUE PUEDEN HACER QUE DEJE DE OPERAR. SI EL HUMEDECEDOR DEJASE DE FUNCIONAR POR NO HABERSE LIMPIADO, ESTA GARANTÍA QUEDARÁ ANULADA.

Al comprador original del humidificador o a quien lo hubiese recibido como obsequio se le garantiza que:

1. Si el humidificador ENVIRACAIRE dejase de funcionar durante los primeros 90 días posteriores a la fecha original de compra por algún defecto de fabricación, y siempre que haya estado sometido a un uso normal; Kaz Incorporated lo reparará sin costo alguno por piezas, mano de obra y devolución al cliente. (Ver las instrucciones que siguen para remitir el humidificador).
2. Si después de los primeros 90 días y hasta cumplirse el tercer año de la fecha de compra, algún componente fallase por defectos de fabricación, Kaz Incorporated lo reparará o reemplazará sin cargo alguno por el componente y devolución al cliente; pero Kaz Incorporated se reserva el derecho de cobrar por la mano de obra para la instalación.
3. Para los casos de tanques rajados, desportillados o rotos, referirse al numeral 4 a continuación.
4. Esta garantía no cubre producto alguno que a juicio de Kaz Incorporated: (1) haya sufrido daños por accidentes, mal uso o maltrato; (2) haya sido sometido a un uso para el cual no fue diseñado; ó (3) haya sido reparado o alterado en cualquier forma que hubiese tenido efecto adverso en su rendimiento o confiabilidad. Esta garantía no cubre arañones ni desgaste de las superficies.
5. El reemplazo del foco ultravioleta (UV) se considera parte del mantenimiento, por lo tanto no está cubierto por esta garantía, a menos que se determine que está defectuoso.
6. Para reparaciones, llame a nuestro departamento de Servicios al Cliente al 1-800-477-0457 para solicitar un número de Autorización de Devolución. Kaz Incorporated no aceptará las devoluciones de unidades sin el correspondiente número de Autorización de Devolución. Enviar el humidificador a la dirección que se indica a continuación, adjuntando el recibo o factura con la fecha de compra. Debe pagar los gastos de envío por adelantado. Pida confirmación del seguimiento o de la entrega. Enviar a: Kaz Incorporated, Attn: Returns Dept., 4755 Southpoint Drive, Memphis, TN 38118.
En Canadá: Kaz Canada, Inc., Attn: Returns Dept., 510 Bronte Street South, Milton, Ontario L9T 2X6.
7. Esta garantía le otorga derechos específicos y usted también podría tener otros derechos que varían de un estado a otro.
8. Kaz Incorporated no otorga otras garantías expresas aparte de las contenidas aquí. La única obligación de Kaz Incorporated en el evento de incumplir cualquier garantía implícita (incluyendo, pero no limitándose a garantías implícitas para su comercialización o idoneidad para algún uso específico) se limitan a la reparación o reemplazo, y siempre durante los periodos arriba indicados computados a partir de la fecha de compra original. Esta garantía no cubre reclamos por daños incidentales, resultantes o consecuentes del incumplimiento de cualquier garantía expresa o implícita, ni por cualquier otra razón; incluyendo daños debidos a accidentes, mal trato, falta de cuidado responsable, la colocación de cualquier accesorio no autorizado, pérdida de piezas, o por usarlo con voltaje diferente al especificado.

SERVICIOS AL CLIENTE #: 1-800-477-0457

enviracaire®

Kaz Incorporated · 250 Turnpike Road · Southborough, MA 01772