

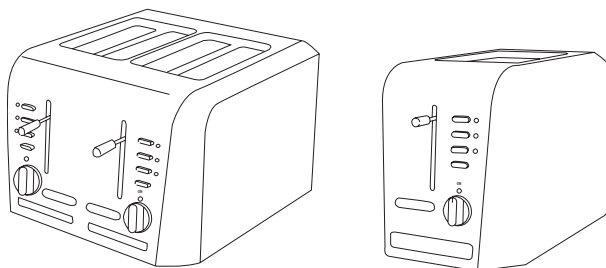


TOASTER
IMPORTANT INSTRUCTIONS
SAVE THESE INSTRUCTIONS

TOASTER
MODE D'EMPLOI IMPORTANT
CONSERVEZ LES PRESENTES INSTRUCTIONS

TOSTADOR
INSTRUCCIONES PARA EL USO
REPASE Y GUARDE ESTAS INSTRUCCIONES

TOASTER
ISTRUZIONI IMPORTANTI
CONSERVARE LE ISTRUZIONI



MODEL/MODELE/MODELO/MODELLO
CTH2003/4003

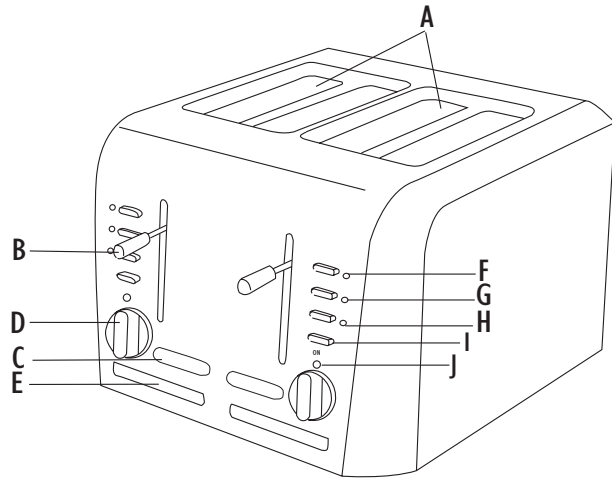
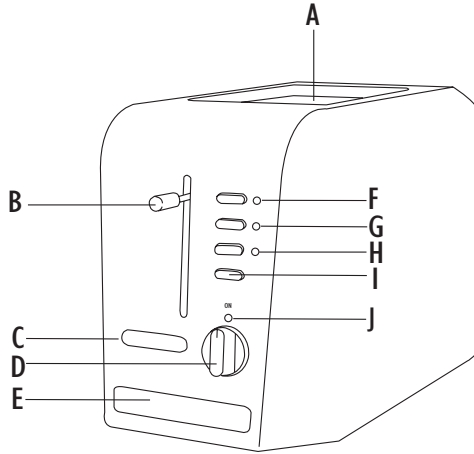
Register this product on-line and receive a free trial issue of Cook's Illustrated. Visit www.prodregister.com/delonghi. Visit www.delonghi.com for a list of service centers near you. (U.S. and Canada Only)

Enregistrez ce produit en ligne et recevez un numéro gratuit de Cook's Illustrated. Visitez www.prodregister.com/delonghi. Visitez www.delonghi.com pour y voir une liste des centres de réparation proches de chez vous. (É.-U. uniquement)

Registre este producto en línea y reciba un ejemplar gratis de Cook's Illustrated. Visite www.prodregister.com/delonghi. Visite www.delonghi.com para ver la lista de centros de servicios cercanos a usted. (Solamente en los Estados Unidos)

Registra questo prodotto "on-line" per ricevere una copia omaggio della rivista. Visita www.prodregister.com/delonghi. Visita www.delonghi.com per una lista dei centri di servizio a te più vicini. (Solo negli Stati Uniti)

CARACTERISTICAS ELECTRICAS
120V ~ 60Hz
Mod. CTH2003 1000 W/ Mod. CTH4003 1800 W





IMPORTANT SAFEGUARDS

READ ALL THESE INSTRUCTIONS

When using electrical appliances, basic safety precautions should always be followed, including the following:

1. Read all instructions carefully before using your toaster. Save these instructions for future reference.
2. Remove all packaging before using this product. We advise to keep the original packaging until you are satisfied the product is operating correctly.
3. To protect against electrical shock, do not place cord, plug or toaster in water or other liquid.
4. Position the toaster on a firm, level, heat-resistant surface, close to an electrical outlet and out of the reach of children.
5. A fire may occur if toasters are covered or touching flammable material, including curtains, draperies and the like, when in operation.
6. The area around the toasting slots will become hot during use. Do not touch these surfaces during operation.
7. When using only one toast slot, do not allow anything to enter the other slot(s), as all slots are "on" when the On/extra lift lever is lowered.
8. Do not allow the toasting slots to become covered during operation.
9. Do not cover the air inlet on the bottom of the toaster.
10. Do not toast items with butter or jam or make toasted sandwiches, as this could cause a fire hazard.
11. Pita bread and similar food products are unsuitable for use in an automatic toaster as they may expel fats onto the heating elements, creating a fire hazard.
12. Do not use torn, curled up, or misshapen slices of bread, as these may jam the eject mechanism.
13. Should the On/extra lift lever become jammed during the toasting cycle do not attempt to release it. Unplug the toaster and allow it to cool down before carefully removing the bread. Do not use a knife, fork or other sharp implement as this may cause damage to the heating elements.
14. Do not let cord hang over edge of table or counter, or touch hot surfaces.
15. Do not touch hot surface. Use handles or knobs
16. After use, unplug the toaster and let it cool down fully before cleaning and storing away.
17. Clean the crumbs out of your toaster frequently. This will avoid a build up of crumbs which could cause a fire hazard (see "Cleaning and Maintenance").
18. Do not operate the toaster unless the crumb tray is correctly fitted.
19. Close supervision is necessary when any appliance is used by or near children.
20. Do not place toaster on or near a hot gas or electric burner, or in a heated oven.
21. Do not use outdoors.
22. Always plug cord into the electrical outlet before turning on any controls. To disconnect, turn the controls "Off" by pressing the Cancel button, then remove plug from outlet.
23. Oversize foods, metal foil packages, or utensils must not be inserted into the toaster as they may cause the risk of fire or electrical shock.
24. Do not use accessories or attachments other than those provided by the manufacturer.
25. Do not use the toaster for any purpose other than those described in these instructions.
26. Do not attempt to dislodge food when the toaster is plugged in.
27. Do not operate this appliance after it malfunctions or if the power cord or plug is damaged. Return appliance to an authorized service facility for examination, repair or adjustment.

HOUSEHOLD USE ONLY

SAVE THESE INSTRUCTIONS

SHORT CORD INSTRUCTIONS

- A short power cord is provided to reduce risks resulting from becoming entangled in or tripping over a longer cord.
- Longer, detachable power supply cords or extension cords are available and may be used if care is exercised in their use.
- If an extension cord is used, the marked electrical rating should be at least as great as the electrical rating of the appliance. If the appliance is provided with 3- wire, grounding type cord, the extension should be a GROUNDING TYPE 3 - WIRE CORD. The longer cord should be arranged so that it will not drape over the counter-top or table top where it can be pulled on by children or tripped over.
- Your product is equipped with a polarized alternating current line plug (a plug having one blade wider than the other). This plug will fit into the power outlet only one way. This is a safety feature. If you are unable to insert the plug fully into the outlet, try reversing the plug. If the plug should still fail to fit, contact your electrician to replace your obsolete outlet. Do not defeat the safety purpose of the polarized plug.

DESCRIPTION OF APPLIANCE

- A) Bread toasting slots
- B) On/Extra lift lever
- C) Browning gauge
- D) Browning control dial
- E) Crumb collection tray
- F) Defrost button with Indicator light
- G) Reheat button with Indicator light
- H) Bagel button with Indicator light
- I) Cancel button
- J) ON light

USE OF THE COMMANDS

- Make sure that the On/extra lift lever (B) is raised and the browning control dial (D) is set for a medium toasting level.
- Connect the appliance to the electrical outlet. In order to eliminate the "new" smell at the first use, operate the appliance without any food inside for at least 5 minutes. Aerate the room during this operation.
- Insert the slices of bread into the Bread toasting slots (A) and lower the On/extra lift lever (B) until it is all the way down. The ON light (J) remains lit, indicating that the toaster is operating, until the On/extra lift lever (B) returns to the raised position.
Note: If the appliance is not connected to the electrical outlet, the On/extra lift lever (B) will not stay down.
- When the toasting is finished, the On/extra lift lever (B) returns to the raised position, raising the toasted bread slices at the same time.
- If the bread is not sufficiently toasted, select a darker degree of toasting by turning the Browning control dial (D).
- The toasting can be interrupted at any moment simply by pressing the Cancel button (I).
Caution: the bread toasting slots become very hot during operation. Do not touch.

Defrost Function

Frozen slices of bread and waffles may be toasted by pressing the Defrost button (F) immediately after lowering the On/extra lift lever (B); the toasting cycle will be lengthened in order to achieve the desired browning. The defrost indicator light will remain lit while the defrost function is in use.

Reheat Function

Press down the On/extra lift lever (B) and press the Reheat button (G). The reheat indicator light will remain lit while the reheat function is in use. Please note that this is a fixed reheat time which cannot be adjusted by the Browning control dial.

Bagel Function

The Bagel function allows you to have perfectly toasted bagels, with the cut sides toasted and the bottoms warmed. To toast bagels, first slice in half, then place the cut halves into each slot with cut sides facing outwards from the middle of each pair of slots. Press down the On/extra lift lever (B) and press the Bagel button (H); only the outer resistance coils of the toaster will operate. The bagel indicator light will remain lit while the Bagel function is in use.

SUGGESTIONS

- Never use the appliance when it is empty (when there is no bread inside).
- Do not use very thin or broken slices of bread.
- Do not insert other foods that may drip during the cooking process. In addition to making the cleaning procedure more difficult, it may create a fire hazard. It is also very important to clean the crumb collection tray of any drippings before each use.
- Do not insert (by force) foods that are too large for the slots.
- Do not insert forks or other utensils into the toaster in order to remove bread, for this may damage the resistance coils of the appliance. Remove the plug from the outlet and allow the toaster to cool. Turn the appliance over, gently shaking it to remove the lodged item.

CLEANING AND MAINTENANCE

- Any cleaning and/or maintenance operation must be done after having removed the plug from the electrical outlet.
- Let the appliance cool down before proceeding with its cleaning.
- The external part of the appliance must be cleaned with a soft cloth. Do not use abrasive detergents that can ruin the surface.
- **DO NOT IMMERSE IN WATER.**
- After each use, remove the plug from the electrical outlet and empty the crumb collection tray that is under the appliance.

DO NOT TOUCH ANY PART OF THE TOASTER WITH SHARP UTENSILS, ESPECIALLY INSIDE THE BREAD TOASTING SLOTS.



This warranty applies to all products with De'Longhi or Kenwood brand names.

LIMITED WARRANTY

What does the warranty cover?

We warrant each appliance to be free from defects in material and workmanship. Our obligation under this warranty is limited to repair at our factory or authorized service center of any defective parts or part thereof, other than parts damaged in transit. In the event of a products replacement or return, the unit must be returned transportation prepaid. The repaired or new model will be returned at the company expense.

This warranty shall apply only if the appliance is used in accordance with the factory directions, which accompany it, and on an Alternating current (AC) circuit.

How long does the coverage last?

This warranty runs for one year (1) from the purchase date found on your receipt and applies only to the original purchaser for use.

What is not covered by the warranty?

The warranty does not cover defects or damage of the appliance, which result from repairs or alterations to the appliance outside our factory or authorized service centers, nor shall it apply to any appliance, which has been subject to abuse, misuse, negligence or accidents. Also, consequential and incidental damage resulting from the use of this product or arising out of any breach of contract or breach of this warranty are not recoverable under this warranty. Some states do not allow the exclusion or limitation of incidental or consequential damage, so the above limitation may not apply to you.

How do you get service?

If repairs become necessary, see contact information below:

U.S. Residents:

Please contact our toll free hotline at 1-800-322-3848 or log onto our website at www.delonghi.com. For all accessories, spare parts or replacement parts, please contact our parts division at 1-800-865-6330.

Residents of Canada: Please contact our toll free hotline at 1-888-335-6644 or log onto our website at www.delonghi.com.

Residents of Mexico: Please refer to the Limited Warranty statement for Mexico.

Please refer to the back page of the manual for De'Longhi addresses.

The above warranty is in lieu of all other express warranties and representations. All implied warranties are limited to the applicable warranty period set forth above. This limitation does not apply if you enter into an extended warranty with De'Longhi. Some states do not allow limitations on how long an implied warranty lasts, so the above exclusions may not apply to you. De'Longhi does not authorize any other person or company to assume for it any liability in connection with the sale or use of its appliance.

How does state law apply?

This warranty gives you specific legal rights, and you may also have other rights, which vary from state to state.



De'Longhi America, Inc.
Park 80 West, Plaza One
Saddle Brook, NJ 07663
1-800-322-3848

De'Longhi Canada, Inc.
6150 McLaughlin Road
Mississauga, Ontario
L5R 4E1 Canada
1-888-335-6644

FIDUCIA ITALIANA S.A DE C.V
Pestalozzi #814
Col. Narvarte
Del. Benito Juarez
C.P. 03100
tels: 5543 1447
lada sin costo: 01 800 711 8805

www.delonghi.com