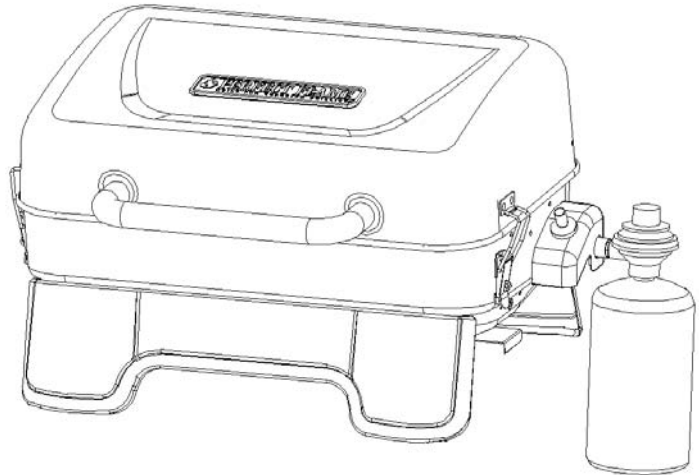




## Portable Gas Grill

Item # 274676

## Owner's Manual



### For Outdoor Use Only

#### ASSEMBLER/INSTALLER:

Leave these instructions with the consumer.

#### CONSUMER/USER:

Read entire manual and keep for future reference.

(Tank not included)



### DANGER

If you smell gas:

1. Turn off gas to the appliance.
2. Extinguish any open flames.
3. Open door.
4. If odor continues, keep away from the appliance and immediately call your fire department.

Failure to follow these instructions could result in a fire or explosion that could cause property damage, personal injury or death.

### DANGER

1. Never operate this appliance unattended.
  2. Never operate this appliance within 10 feet (3.05m) of any structure, combustible material or other gas cylinder
  3. Never operate this appliance within 25 feet (7.5m) of any flammable liquid.
  4. Never allow oil or grease to get hotter than 400°F or if oil begins to smoke, immediately turn the burner or gas supply OFF.
  5. Heated liquids remain at scalding temperatures long after the cooking process. Never touch cooking appliance until liquids have cooled to 115°F or less.
  6. If a fire should occur, keep away from the appliance and immediately call your fire department. Do not attempt to extinguish an oil or grease fire with water.
- Failure to follow these instructions could result in a fire or explosion that could cause property damage, personal injury or death.



**Questions, problems, missing parts?** Before returning to your retailer, call our customer service department at 1-877-447-4768, 8:30 a.m. – 4:30 p.m., CST, Monday – Friday.

## TABLE OF CONTENTS

For Your Safety.....	2-4
Illustrated Parts List.....	4
Assembly Instructions.....	5-7
Connecting the LP Tank.....	8
Operating Instructions.....	8-9
Troubleshooting.....	11
After-use Care and Maintenance.....	12
Limited Warranty.....	13

## STATEMENT OF COMMITMENT

Congratulations and thank you for your purchase of this new Portable Gas Grill. We are pleased that you have recognized the value of the design, function and quality of components used in this product. We believe it is among the finest on the market.

We are committed to producing quality products that your family will enjoy for years to come. If for any reason we have failed to meet or exceed your expectations, please allow us to make it right by calling GHP Group Inc. toll-free at **1-877-447-4768 between the hours of 8:30 a.m. and 4:30 p.m., CST, Monday – Friday.** (It is recommended to avoid calling on Mondays, when wait times may be long.)

## **Safety Warnings and Precautions**

**PLEASE READ THE ENTIRE MANUAL BEFORE OPERATING YOUR PORTABLE GAS GRILL:**

All installations must conform with local codes or, in the absence of local codes, with the *National Fuel Gas Code, ANSI Z223.1/NFPA 54, Storage and Handling of Liquefied Petroleum Gases, ANSI/NFPA 58* or *CSA B149.1, propane storage and handling CSA B149.2*.

*The gas canister must be constructed and marked in accordance with the specification for LP-gas cylinders of the U.S. Department of Transportation (DOT) or the National Standard of Canada, CAN/CSA-B339, cylinders, spheres and tubes for the Transportation of Dangerous Goods.*

**CALIFORNIA PROPOSITON 65 WARNING** The burning of gas cooking fuel generates some by-products which are on the list of substances known by the State of California to cause cancer or reproductive harm. California law requires businesses to warn their customers of potential exposure to such substances. To minimize exposure to these substances, always operate this unit according to the care and use guide, ensuring you provide the proper ventilation when cooking with gas.



### **WARNING**

**Carefully read all warnings, instructions, gas leak check procedures, lighting instructions and general maintenance and storage information prior to the operation of this grill. Failure to do so could result in a fire, which could cause property damage, personal injury or death. Retain this manual for future reference.**

1. When cooking, this grill must be on a level, stable noncombustible surface in an area clear of combustible material. An asphalt surface (blacktop) may not be acceptable for this purpose.
2. The grill is for outdoor use only. **It is NOT intended for commercial use.**
3. Do not obstruct the flow of combustion and ventilated air.
4. This outdoor grill is not intended to be installed in or on recreational vehicles or boats.
5. Do not install or use the grill within 36 in. of combustible materials from the front, back or sides of the grill.
6. The grill should be operated only in well-ventilated areas. Never operate the grill in an enclosed space such as a garage or building.
7. The grill should not be placed under combustible structures such as an enclosed carport, garage, porch, patio, etc.

8. Use only the standard one-pound disposable gas canisters marked PROPANE DOT-39 NRC 228/286 and should be arranged for vertical standing vapour withdrawal inside the unit pillar.
9. Propane canisters should be disconnected when not in use and the gas pressure regulator with hose should be properly stored inside the unit column.
10. Do not leave the grill unattended while it is in use or hot. Keep children and pets away from the appliance at all times.
11. This appliance is not intended for and never should be used as a heater.
12. The pressure regulator and hose assembly supplied with the appliance must be used and any replacement of this assembly must be those specified by the manufacturer.
13. Indoor storage of this grill is permissible only if the one-pound propane canister is disconnected and removed from the grill.
14. Keep the ventilation openings of the canister enclosure free and clear of debris.
15. Keep the grill area clear from combustible materials, gasoline and other flammable vapors and liquids.
16. The propane canisters must be stored outdoors, out of the reach of children and not in a building, garage or other enclosed area.
17. Visually check burner flames upon lighting the grill (ref. Illustration in lighting instruction).
18. The use of alcohol, prescription or non-prescription drugs may impair the users ability to properly assemble and safely operate this appliance.
19. Always check the venturi tube and burner for insects and nests. A clogged tube or burner can lead to fire beneath the grill or could adversely affect use of the grill.
20. Clean the venturi tube and/or burner with a small bottle brush or similar device.
21. Check all tubes and hoses before each use of the grill. If there is evidence of excessive abrasion, wear or the tubes/hoses are cut they must be replaced prior to using the grill.
22. **Clean and inspect the hose/tubes before each use of the grill. If there is evidence of abrasion, wear, cuts or leaks, the hose/tubes must be replaced prior to using the grill. The replacement hose assembly shall be that specified by the manufacturer.**

23. Always light the grill with the lid open. Always turn the grill off after its use.

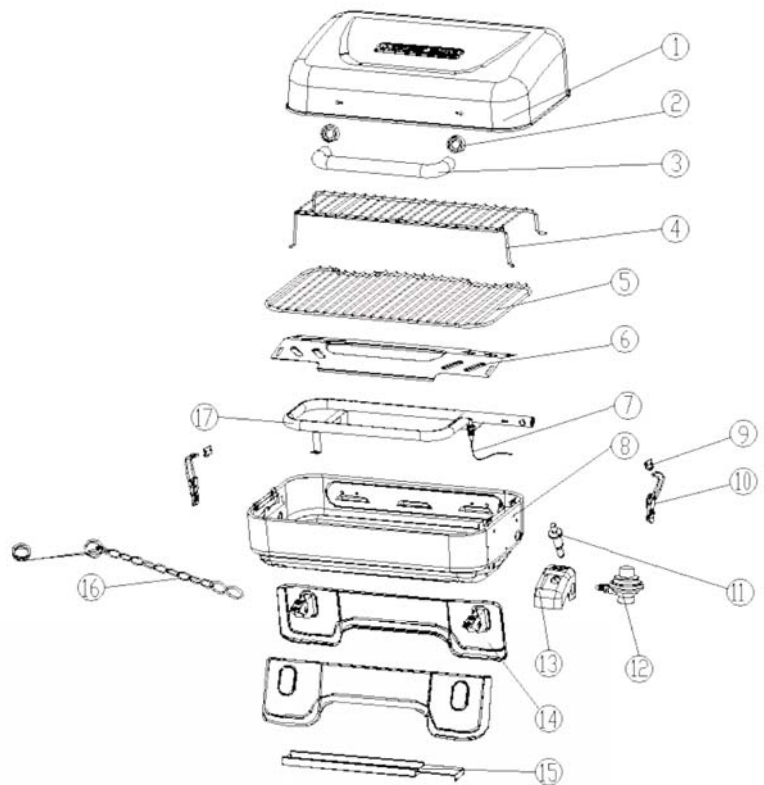
24. Always use a glove or hot pad when operating or handling a hot grill.

- (A) DO NOT store tanks under or near the appliance.
- (B) Never fill tanks more than 80% full.
- If instructions (A) and (B) above are not followed exactly, a fire causing death or serious injury may occur.

## ILLUSTRATED PARTS LIST

Before attempting to assemble or use the unit, compare contents of carton with parts list and diagram below. If any parts are missing or damaged, do not attempt assembly. Contact Customer Service for replacements at 1-877-447-4768, Monday through Friday, 8:30 am to 4:30 pm CST.

Part	Description	Qty	Warranty Part #
1	Lid assembly	1	501-01001
2	Lid handle base	2	501-01019
3	Lid handle	1	501-01002
4	Warming rack	1	501-01011
5	Grate	1	501-01009
6	Heat tent	1	501-01010
7	Electrode assembly	1	501-01027
8	Firebox assembly	1	501-01007
9	Lock – upper	2	501-01029
10	Lock – lower	2	501-01030
11	Ignitor	1	501-01023
12	Regulator assembly	1	501-01020
13	Ignition case	1	501-01032
14	Leg	2	501-01033
15	Grease tray	1	501-01017
16	Match holder	1	501-01028
17	Burner assembly	1	501-01022
-	Owner's manual	1	501-01025
-	Hardware package	1	501-01026



The Hardware Package includes the following:



A	Bakelite handle base	2
B	Bolt – M5 x 15	8
C	Bolt – M6 x 16	2

**Tools Required:** Phillips Screwdriver (not included)

**Estimated Time for Assembly:** 15 minutes

# ASSEMBLY INSTRUCTIONS

## Preparation

- ∞ Read all instructions in this manual.
- ∞ Open the grill and remove all package and unassembled components from inside.
- ∞ Make sure the lid is locked close and turn the grill upside down on a level, firm surface. Use the foam packing that the unit was packed in as a cushion to prevent damage to the top.
- ∞ Open the hardware bag containing 2 – Bakelite handle base, 2 – M6 x 16 bolt, 8 – M5 x 15 bolt. A Phillips screwdriver (not included) is required for assembly.

### 1. Attach the Legs (Fig. 1)

Locate the 2 Legs (14) and 8 – M5 x 15 bolts from the hardware package.

Align one leg with mounting holes on the bottom of the grill. Thread bolts through holes from outside of unit. Nuts are pre-welded to the cabinet. Repeat this procedure for the other leg. Tighten all bolts with a Phillips screwdriver.

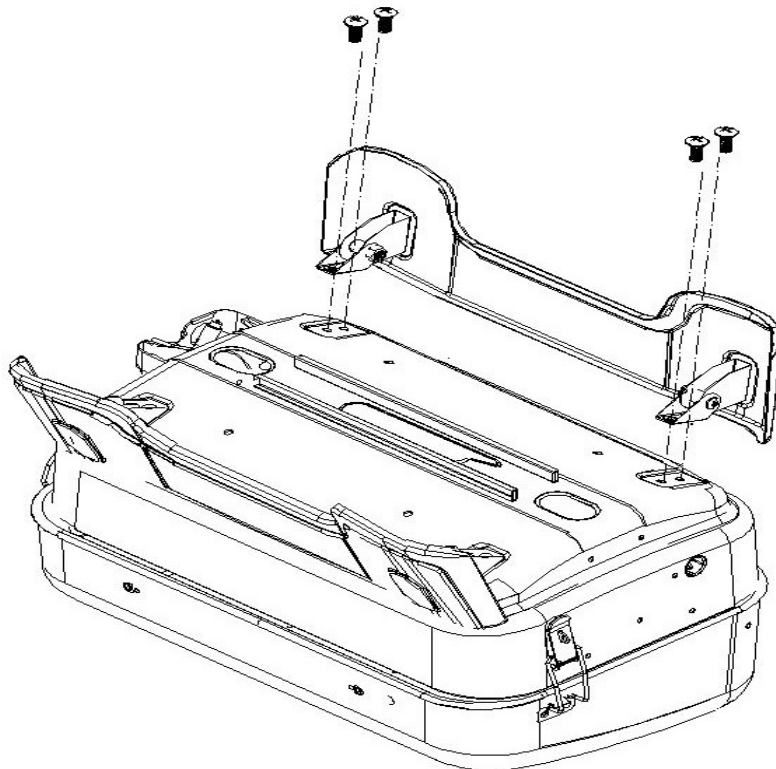
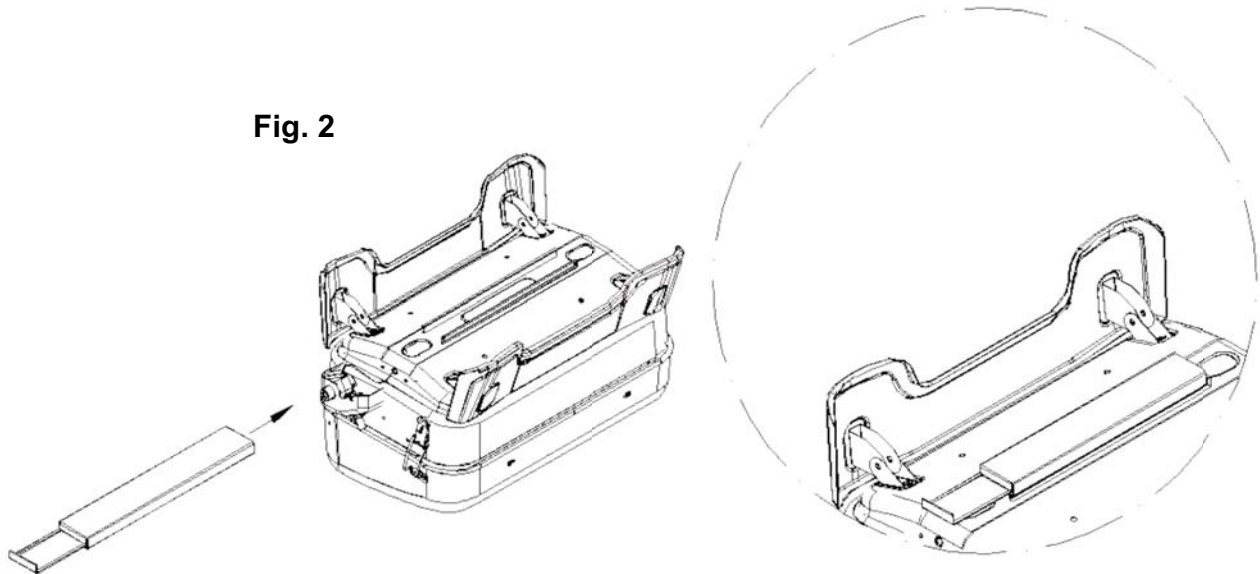


Fig. 1

**2. Attach Grease Tray (Fig. 2)**

Locate the Grease tray (15).

Slide the Grease tray onto the grease tray slides as shown (Fig. 2).

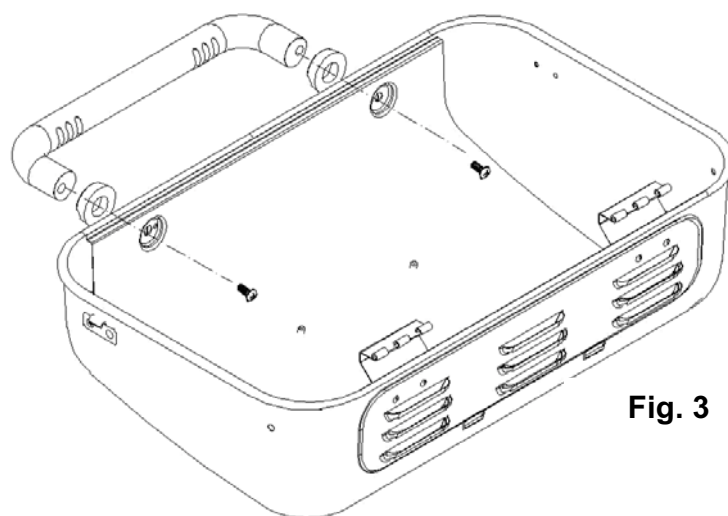


**3. Attach the Lid Handle (Fig. 3)**

Locate the Lid Handle (3) and Lid handle bases (2), and 2 – M6 x 16 bolts from the hardware bag.

Stand the unit on its legs. Make sure that the unit is on a firm and level surface.

From the inside of the lid, thread the bolts through the mounting holes in the lid, through the handle bases (2) and into the handle. Use a Phillips screwdriver to secure the handle to the lid.

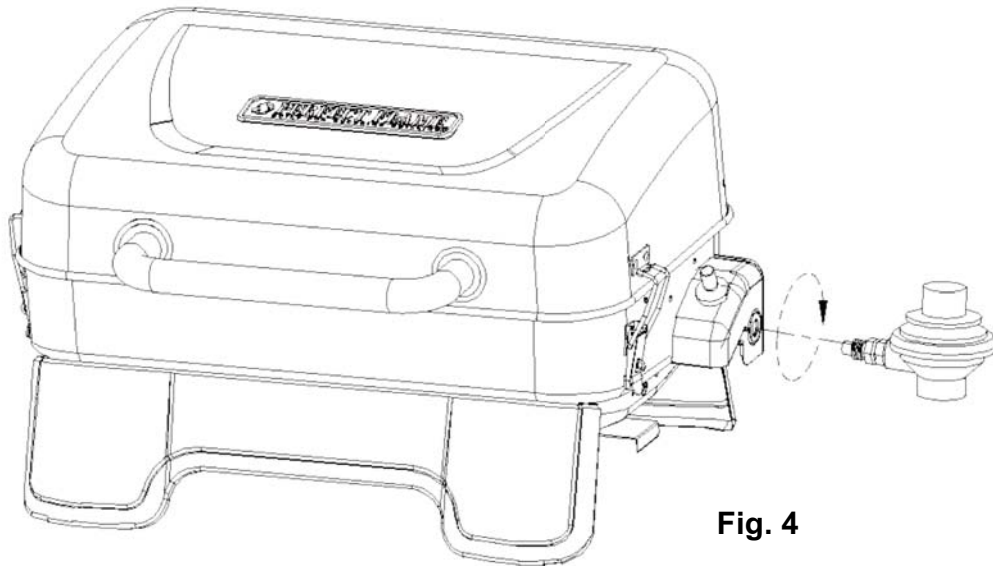


**Fig. 3**

**4. Attach the Regulator Assembly (Fig. 4)**

Locate the Regulator assembly (12).

Thread the Regulator Valve into the stem of the burner until hand-tight.

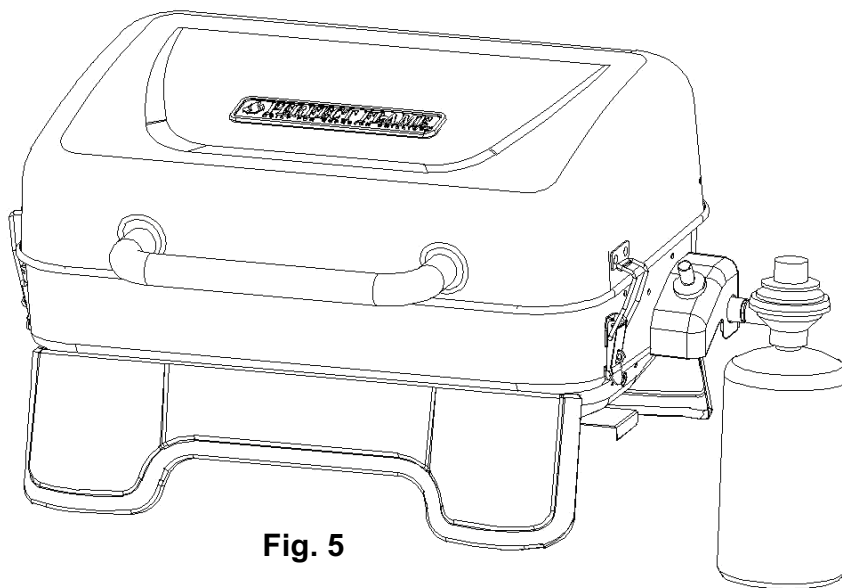


**Fig. 4**

**5. Install a Gas Cylinder – NOT INCLUDED (Fig. 5)**

Screw the gas cylinder counter-clockwise into the thread underneath the Regulator valve until in place.

Make certain the connection is secure and conduct a leak test as instructed on page 9.



**Fig. 5**



## OPERATING THE GRILL



**Use only the regulator provided. If a replacement is necessary, call our Customer Service Center. The use of unauthorized parts can create an unsafe condition and environment.**

### **Connect Gas Cylinder**

The propane-gas supply cylinder to be used must be constructed and marked in accordance with the ***Specifications for LP-Cylinders*** of the U.S. Department of Transportation (DOT). Only cylinders marked "propane" must be used. Only use 1-pound (16.4 oz) cylinders equipped with a cylinder connection device compatible with the connection for outdoor cooking appliances. **The propane cylinder must be arranged for vapor withdrawal.** If the appliance is not in use, the gas cylinder must be disconnected. Storage of an appliance indoors is permissible ONLY if the cylinder is disconnected and removed from the appliance. Cylinders must be stored outdoors, out of the reach of children and must be stored in a building, garage, or any other enclosed area. Your cylinder must never be stored where temperatures can reach over 125° F! Before connection, be sure that there is no debris caught in the head of the gas cylinder, head of the regulator valve, or in the head of the burner and burner ports. Connect regulator valve and hand-tighten firmly. Disconnect the propane cylinder from the regulator valve when the grill is not in use. DO NOT obstruct the flow of combustion air and ventilation air to the grill.

**ALL INSTRUCTIONS AND SAFEGUARDS ON THIS PAGE MUST BE FOLLOWED TO PREVENT FIRE, DAMAGE AND/OR INJURY.**

All installations must conform with local codes or, in the absence of local codes, with the *National Fuel Gas Code, ANSI Z223.1/NFPA 54, Storage and Handling of Liquefied Petroleum Gases, ANSI/NFPA 58* or *CSA B149.1, propane storage and handling CSA B149.2.*

*The gas cylinder must be constructed and marked in accordance with the specification for LP-gas cylinders of the U.S. Department of Transportation (DOT) or the National Standard of Canada, CAN/CSA-B339, cylinders, spheres and tubes for the Transportation of Dangerous Goods.*

If there is a question on the identity of your unit and of the type of fuel to be used, please look on the data plate. Units are factory equipped for use on only one type of fuel. These units can not be and should not be used on other types of fuels. Doing so can cause severe damage to the unit and the installation area and adds the risk of serious injury. Any attempt to operate these grills on the fuels for which they are not design certified voids the manufacturer's warranty.

Valve/pressure regulators are factory set to the correct operating pressures. No attempts should be made to adjust these settings.

### **CHECKING FOR LEAKS**

- a. Make approx. 2-3 oz. of solution by mixing 1 part dishwashing liquid soap and 3 parts water.
- b. Make sure control valve is in the 'OFF' position..
- c. Spray some of the solution on the tank valve and regulator connection.
- d. Inspect the solution at the connections for bubbles. If no bubbles, the connection is secure.
- e. If bubbles appear, you have a leak – GO TO STEP 'f'
- f. Disconnect the regulator from the tank and reconnect. Make sure the connection is secured.
- g. Re-test with soap and water solution.
- h. If you continue to see bubbles, replace the cylinder.

### **USE CAUTION AND COMMON SENSE WHEN OPERATING YOUR PORTABLE GRILL.**

**READ ALL INSTRUCTIONS, WARNINGS AND SAFEGUARDS BEFORE ASSEMBLING AND OPERATING. SAVE THESE INSTRUCTIONS.**

#### **Before first use**

Remove all hangings or plastic straps, if present.

Before you cook food on your grill, it is important to burn off any residue used in the manufacturing process of this grill. Ignite you grill and burn at low temperature for 15 – 20 minutes with the lid closed.

## Lighting Procedure

**CAUTION: If the flame extinguished accidentally during ignition or operation, immediately TURN OFF the control knob.**

### Igniter Lighting System

1. Check all connections for leaks using the “soap water” test as explained on page 9 for “checking for leaks.”
2. Open the lid of the grill. **Always keep the lid open during lighting.**
3. Check for any blockage to the venturi tube or burner. Remove any foreign objects or matter.
4. Be sure the burner control knob is in the “OFF” position.
5. Push and turn control knob to “HIGH.” Push igniter on the regulator assembly down 3 to 4 times or until unit is ignited.
6. If ignition does not take place in 5 seconds, immediately turn the knob to OFF. Wait 5 minutes and repeat above step 5.
7. If burner still fails to light, try match lighting using the instructions below.
8. Once the burner is lit, close the lid to allow heat to accumulate.

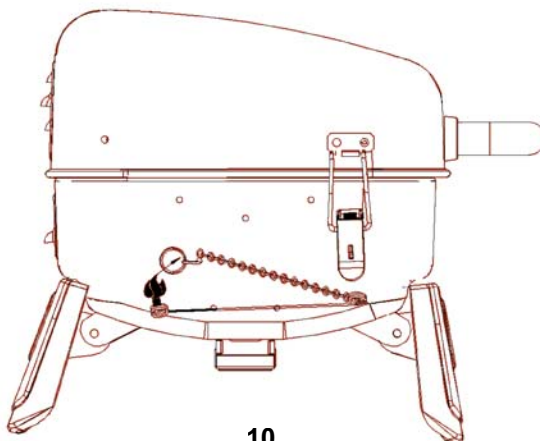


**Warning: Always light your grill with the lid open.**

### Match Lighting Procedure (Fig. 6)

1. Repeat steps 1 through 4 of the igniter lighting system above.
2. Insert a match into the end of the match holder (16). Light the match and insert it into the hole on the left side of the firebox assembly (8), making sure that it is next to the burner. Quickly turn the control knob to the “HIGH” position. If the burner does not light in 5 seconds, turn the control knob off, wait at least 5 minutes and for the match to burn out. Repeat the process.

Fig. 6



## TROUBLESHOOTING

Problem	Possible Causes	Possible Solutions
The burner will not light using the igniter procedure.	<ol style="list-style-type: none"> <li>1. The igniter electrode may be covered with grease or residue.</li> <li>2. The igniter electrode may have a loose or disconnected wire.</li> <li>3. No spark is being generated.</li> </ol>	<ol style="list-style-type: none"> <li>1. Clean the igniter electrode.</li> <li>2. Check the connection and reconnect any loose or disconnected wires.</li> </ol>
The burner will not light with a match.	<ol style="list-style-type: none"> <li>1. No gas flow or an obstructed gas flow.</li> </ol>	<ol style="list-style-type: none"> <li>1. Check the fuel level. Replace the cylinder. Clean the venturi tube and burner.</li> </ol>
The flame goes out.	<ol style="list-style-type: none"> <li>1. Disconnected gas supply hose.</li> <li>2. High or gusting winds.</li> </ol>	<ol style="list-style-type: none"> <li>1. Reconnect the gas supply hose.</li> <li>2. Move the grill out of the windy area.</li> </ol>
Flare-up	<ol style="list-style-type: none"> <li>1. Excessive cooking temperatures.</li> <li>2. Grease and residue build-up.</li> <li>3. Excessive fat in the meat.</li> <li>4. Excessive oil in the marinade.</li> </ol>	<ol style="list-style-type: none"> <li>1. Reduce the flame level.</li> <li>2. Clean the components.</li> <li>3. Trim fat from the meat before cooking.</li> <li>4. Use a non-oil based marinade.</li> </ol>
Yellow sooty flame	<ol style="list-style-type: none"> <li>1. Excessive cooking temperature.</li> <li>2. Obstruction of gas flow.</li> </ol>	<ol style="list-style-type: none"> <li>1. Reduce the flame level.</li> <li>2. Check and clean venturi tube and burner.</li> </ol>

## AFTER USE SAFETY AND MAINTENANCE



- Use caution when lifting and moving the portable grill to avoid injuries.
- **DO NOT** store the grill near gasoline or other combustible liquids or where combustible vapors may be present. Keep the area around the grill clear and free of combustible materials and vapors.
- **DO NOT** store this grill in an area accessible to children or pets. Store the grill in a dry, protected location.
- **DO NOT** allow anyone to conduct activities around the grill following use until it has cooled. It is hot during operation and remains hot for a period of time following use.
- The grill becomes extremely hot – allow the grill to cool completely before handling. If you must handle the grill while it is hot, **ALWAYS** wear protective oven mitts or heat-resistant gloves. Allow the grill to cool before removing and cleaning the grease tray.

## CARE AND MAINTENANCE

**CAUTION:** All care and maintenance procedures are to be performed while the grill is turned off and cooled.

Frequently check and clean the venturi and burner tube for insects and insect nests. A clogged tube can lead to fire beneath the grill. Also make sure the grill does not have any foreign objects obstructing the flow of combustion and ventilation air.

To clean the inside and outside of the grill, simply use a damp cloth. Spray-washing with a water hose is not recommended. Moisture should be wiped away and not allowed to stand inside or on top of the grill.

To protect your grill from weather conditions, always keep it covered while not in use.  
To obtain replacement parts or accessories, call **1-877-447-4768**.

## **LIMITED WARRANTY**

**This Portable Gas Grill is warranted against broken or damaged parts at the time of purchase. The burner is warranted for 3 years. All other parts carry a one (1) year limited warranty.**

**This warranty does not cover damage or issues related to neglect, abuse or modifications to the appliance. Repair labor is not covered.**

**All parts that meet the warranty requirements will be shipped at no charge via the discretion of GHP Group Inc. (ground shipments, US Mail or Parcel Post ONLY). Any special handling charges (i.e. Second Day, Over night, etc.) will be the responsibility of the consumer.**

**All warranty claims apply only to the original purchaser and require a proof of purchase verifying purchase date. Do not return parts to GHP address without first obtaining a return authorization number from our customer service. This service is available by calling toll free 1-877-447-4768, 8:30 am to 4:30 pm CST, Monday through Friday.**

**Some states do not allow the exclusion or limitation of incidental or consequential damages or limitations on how long an implied warranty lasts, so the above limitations or exclusions may not apply to you. This warranty gives you specific legal rights, and you may have other rights that vary from state to state.**

Item Name: Portable Gas Grill  
Model # TT-1001  
Item # 274676  
Rated BTU: 12,000 BTU/Hr  
Product Dimension: 25.19" x 16.14" x 12.40"  
Product Weight: 14.75 lb.

Service: GHP Group Inc.  
7500 N. St. Louis Ave.  
Skokie, IL. 60076-4034. USA  
Toll Free: 1-877-447-4768

Owner's Manual - Part #501-01025  
REV: 001-11-14-07

Printed in China