

This Owner's Manual is provided and hosted by Appliance Factory Parts.



Coleman 5008C700 Owner's Manual

[Shop genuine replacement parts for Coleman
5008C700](#)



[Find Your Coleman Camping Parts - Select From 855 Models](#)

----- Manual continues below -----



How to Use and Enjoy Your Coleman®

Camping Coffeemaker



Model 5008-700

**Read and follow all Coffeemaker Instructions.
Read and follow all Stove & Fuel Instructions for
Use. For Outdoor Use Only.**

⚠ WARNING

1. Always operate campstove on a level surface.
2. Use only on two- and three-burner campstoves. **Never** use this product on single burner stoves. Never use on electric ovens.
3. Never use this product on a Gas or Charcoal Grill.
4. **Never** use this product on a stove burner rated in excess of 15,000 BTUs.
5. Be sure coffeemaker is placed on stove in a stable manner before lighting stove.
6. Always set coffeemaker onto stove & pour water into reservoir prior to lighting burner.
7. **Never** leave stove burner on after coffee has finished brewing.
8. Close adult supervision is necessary while brewing coffee on a campstove.
9. Do not touch hot surfaces. Allow coffeemaker to cool before handling.

Decanter Use & Care:

- Uses various brands of replacement decanters including: Coleman® 5008-5211 or Mr. Coffee® PD13 (Black).
- Never place decanter directly onto a campstove burner surface.
- Never place decanter onto a kitchen range, oven or in a microwave.
- Never set a hot decanter on a wet or cold surface.
- Do not use a cracked decanter or one with a loose or weakened handle.
- Do not clean decanter with cleansers, steel wool pads or other abrasive materials. Instead use a mild, non-abrasive detergent.
- Avoid sharp blows, scratches and rough handling.
- Discard decanter immediately if it is ever boiled dry.
- Replacement decanters found where Mr. Coffee® Coffeemakers are sold.

**BENEFITS OF YOUR COLEMAN®
CAMPING COFFEEMAKER**

- Brews coffee on a two- or three-burner campstove.
- Large 10-cup capacity brewing.
- Swing-out filter basket removes for easy cleaning.
- Can't wait for it to finish? With the Pause 'N Serve feature, pour yourself a cup of coffee while brewing without making a mess.

BEFORE FIRST USE

Before using your Coffeemaker for the first time, wash decanter, lid and removable filter basket using a mild, nonabrasive detergent and water. Rinse thoroughly.

HOW TO BREW COFFEE



Figure 1

1. Place Coffeemaker directly over one of the burners of a two- or three-burner Coleman Campstove as shown in Figure 1.
2. Open the swing-out filter basket and insert an 8-12 basket style filter.
3. Add desired amount of coffee, referring to the Coffee Measurement Chart below. Shake lightly to level the coffee.
4. Be sure the paper filter is centered before closing the filter basket.
5. Fill the decanter with cold water to the desired capacity as marked on the decanter. (1 cup = 5 oz.)
6. Pour the water into the water reservoir and place the empty decanter onto the warming plate. Be sure decanter is pressed against the Pause 'N Serve lever to allow coffee to flow into decanter.
7. Be sure decanter is centered over the warming plate between the two marks. This keeps the handle cool to the touch.
8. Light campstove burner as advised by Campstove Instruction Manual. Monitor progress of coffee brewing. **Never leave a lit campstove unattended.**
9. Once coffee stops flowing, the brewing cycle is complete. **Turn stove burner off** and serve coffee!
10. After coffeemaker has cooled, remove paper filter and coffee grounds and dispose of properly.

NOTE: The filter basket can be removed by swinging it open to the right, lifting the basket up and pulling the bottom of the basket out. Rinse the basket and replace by inserting the top post of the basket into the coffeemaker first.

⚠WARNING: To avoid risk of personal injury or damage to property as a result of overflow, be sure the decanter is squarely centered under the filter basket during the brew cycle. Brewed coffee and grounds, both in the filter basket and decanter, are very hot. Handle with care to avoid scalding. If filter basket overflows, or if it fails to drain into decanter during brewing cycle, do not open or handle filter basket. Turn stove burner off and wait for contents to cool before handling.

COFFEE MEASUREMENT CHART

For best results, use drip ground coffee recommended for automatic drip coffeemakers.

2 level tablespoons = 1 level scoop

1 cup = 5 oz. brewed coffee

Use more or less coffee to suit taste.

CUPS	GROUND COFFEE
12.....	11 Tbsp. or 5 1/2 Scoops
10.....	9 “ or 4 1/2 “
8.....	7 “ or 3 1/2 “
6.....	6 “ or 3 “
4.....	5 “ or 2 1/2 “
2.....	3 “ or 1 1/2 “

How To Make Other Hot Drinks & Meals With Your Coleman® Camping Coffeemaker

Instant Hot Cider, Instant Hot Chocolate, Oatmeal & Instant Soup

1. Place your Coleman® Camping Coffeemaker on your campstove.
2. Fill decanter with the proper amount of water as described in the directions on your instant mix package.
3. Pour the water into the water reservoir of the coffeemaker.
4. Pour the desired amount of drink mix, oatmeal or soup as described in the packet directions into the decanter. **DO NOT POUR MIX INTO WATER RESERVOIR OR FILTER BASKET.**
5. Place the decanter on the hot plate making sure the decanter is pressed against the Pause 'N Serve lever.
6. Light campstove burner as advised by Campstove Instruction Manual.
7. Hot water will begin to fill the decanter. **Never leave a lit campstove unattended.**
8. After all the water has been depleted from the water reservoir, **TURN STOVE TO OFF**, gently stir the mixture to be sure it has all been dissolved, and serve!

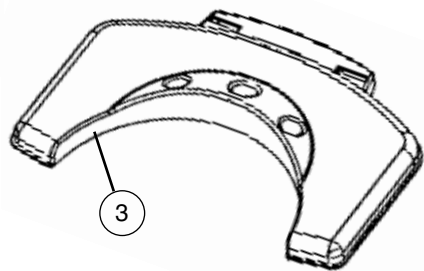
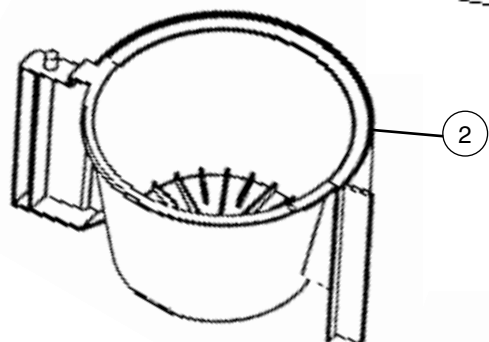
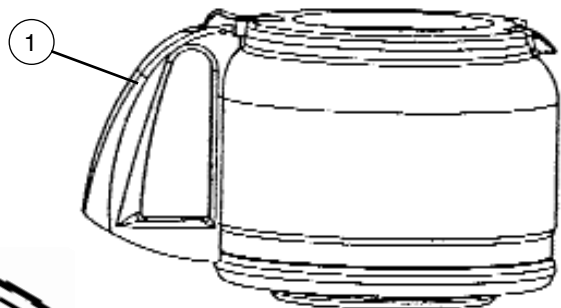
How To Clean Coffeemaker

We suggest cleaning your Coleman Coffeemaker at the following intervals: **40 brew cycles with hard water**
80 brew cycles with soft water

1. Place Coffeemaker onto stove as described in the **How To Brew Coffee** section. Place a paper filter into the brew basket & close.
2. Pour 1 quart of undiluted white household vinegar into water reservoir.
3. Place the empty decanter on the warming plate.
4. Light stove & allow 3 cups of vinegar to pass through Coffeemaker. Turn stove off and let Coffeemaker stand 30 minutes.
5. After 30 minutes, pour vinegar back into reservoir & place empty decanter on warming plate.
6. Light stove & let all of the vinegar run through the Coffeemaker.
7. Dispose of the vinegar and paper filter.
8. To flush all traces of vinegar, fill reservoir with water and cycle water through Coffeemaker.
9. Dispose of water and repeat steps 8 & 9.

REPLACEMENT PARTS LIST

No.	Description	Part No.
1.	Decanter with Handle	5008-5211
2.	Filter Basket	5008-5511
3.	Lid for Reservoir	5008-1811



1 Year Limited Warranty

The Coleman Company, Inc. ("Coleman") warrants that for a period of one year from the date of purchase, this product will be free from defects in material and workmanship. Coleman, at its option, will repair or replace this product or any component of the product found to be defective during the warranty period. Replacement will be made with a new or remanufactured product or component. If the product is no longer available, replacement may be made with a similar product of equal or greater value. This is your exclusive warranty.

This warranty is valid for the original retail purchaser from the date of initial retail purchase and is not transferable. Keep the original sales receipt. Proof of purchase is required to obtain warranty performance. Coleman dealers, service centers, or retail stores selling Coleman products do not have the right to alter, modify or any way change the terms and conditions of this warranty.

This warranty does not cover normal wear of parts or damage resulting from any of the following: negligent use or misuse of the product, use contrary to the operating instructions, disassembly, repair or alteration by anyone other than Coleman or an authorized service center. Further, the warranty does not cover Acts of God, such as fire, flood, hurricanes, and tornadoes.

Coleman shall not be liable for any incidental or consequential damages caused by the breach of any express or implied warranty. Except to the extent prohibited by applicable law, any implied warranty of merchantability or fitness for a particular purpose is limited in duration to the duration of the above warranty. Some states, provinces or jurisdictions do not allow the exclusion or limitation of incidental or consequential damages or limitations on how long an implied warranty lasts, so the above limitations or exclusion may not apply to you. This warranty gives you specific legal rights, and you may also have other rights that vary from state to state or province to province.

How to Obtain Warranty Service

Take the product to an authorized Coleman service center. You can find the nearest authorized Coleman service center by calling 1-800-835-3278 or TDD 316-832-8707. If a service center is not conveniently located, attach a tag to the product that includes your name, address, daytime telephone number and description of the problem. Include a copy of the original sales receipt. Carefully package the product and send either by UPS or Parcel Post with **shipping and insurance prepaid** to:

For products purchased in the United States:
The Coleman Company, Inc.
3600 North Hydraulic
Wichita, KS 67219

For products purchased in Canada:
The Canadian Coleman Company, Ltd.
5975 Falbourne Street
Mississauga, Canada L5R 3V8

DO NOT RETURN THIS PRODUCT TO THE PLACE OF PURCHASE.

If you have questions regarding this warranty please call 1-800-835-3278 or TDD 316-832-870 or 1-800-387-6161 in Canada.

©2002 The Coleman Company, Inc. All rights reserved.
Coleman® is a registered trademark of The Coleman Company, Inc.

The Coleman Company, Inc. • 3600 N. Hydraulic • Wichita, KS 67219 USA
www.coleman.com

Product Designed and Engineered in USA
Product made in China. Glass made in Germany.
Patents Pending

5008-700 (08/02)