



## 1000 BTU Propane Catalytic Heaters

Calefactores Catalíticos  
de gas propano

Calefactores Catalítico  
de gas propano

Instructions for use  
Mode d'emploi  
Instrucciones de uso



U.S. and other Patents Pending

Brevets étatsuniens et autres  
en instance

Patentes de E.U.A. y otras  
patentes pendientes

5031-700  
5031-750

### Limited Lifetime Warranty

The Coleman Company, Inc. ("Coleman") warrants that for the period that you own this product, it will be free from defects in material and workmanship. Coleman, at its option, will repair or replace this product or any component of the product found to be defective during the warranty period. Replacement will be made with a new or remanufactured product or component. If the product is no longer available, replacement may be made with a similar product of equal or greater value. This is your exclusive warranty.

This warranty is valid for the original retail purchaser from the date of initial retail purchase and is not transferable. Keep the original sales receipt. Proof of purchase is required to obtain warranty performance. Coleman dealers, service centers, or retail stores selling Coleman products do not have the right to alter, modify or in any way change the terms and conditions of this warranty.

This warranty does not cover normal wear of parts or damage resulting from any of the following: negligent use or misuse of the product, use on improper voltage or current, use contrary to the operating instructions, disassembly, repair or alteration by anyone other than Coleman or an authorized service center. Further, the warranty does not cover Acts of God, such as fire, flood, hurricanes and tornado's.

Coleman shall not be liable for any incidental or consequential damages caused by the breach of any express or implied warranty or conditions. Except to the extent prohibited by applicable law, any implied warranty of merchantability or fitness for a particular purpose is limited in duration to the duration of the above warranty or conditions. Some states, provinces or jurisdictions do not allow the exclusion or limitation of incidental or consequential damages or limitations on how long an implied warranty lasts, so the above limitations or exclusion may not apply to you. This warranty gives you specific legal rights, and you may also have other rights that vary from state to state or province to province.

### How to Obtain Warranty Service

Take the product to an authorized Coleman service center. You can find the nearest authorized Coleman service center by calling 1-800-835-3278 or TDD 316-832-8707 in the United States or 1-800-387-6161 in Canada. If a service center is not conveniently located, attach to the product a tag that includes your name, address, daytime telephone number and description of the problem. Include a copy of the original sales receipt. Carefully package the product and send either by UPS or Parcel Post with shipping and insurance prepaid to:

#### For products purchased in the United States:

The Coleman Company, Inc.  
3600 North Hydraulic  
Wichita, KS 67219

#### For products purchased in Canada:

The Coleman Company, Inc.  
c/o Sunbeam Canada  
5975 Falbourne Street  
Mississauga, Canada L5R 3V8

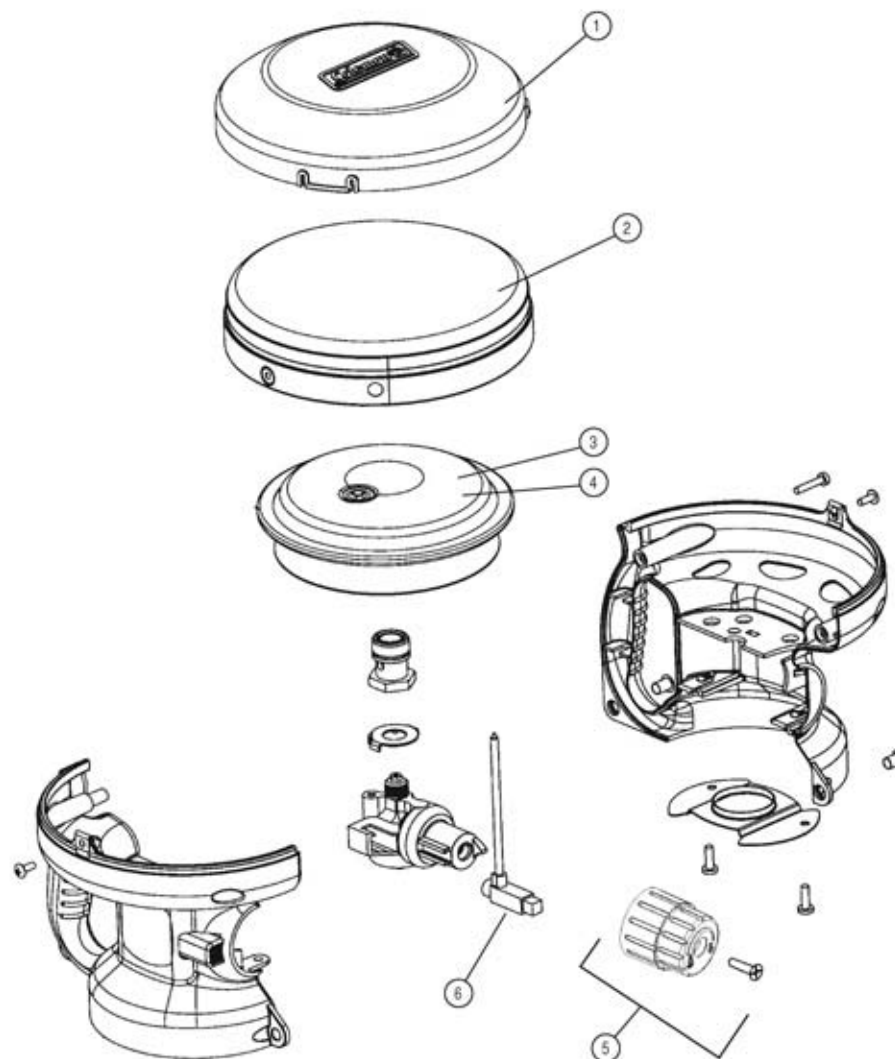
Do not mail products with fuel in tanks, or with disposable propane cylinders.

**DO NOT RETURN THIS PRODUCT TO THE PLACE OF PURCHASE.**

If you have any questions regarding this warranty please call 1-800-835-3278 or TDD 316-832-8707 in the United States or 1 800 387-6161 in Canada.

Litho in the U.S.A.  
5031-050T (12/02) P.I.

Lithographié aux États-Unis



### Replacement Parts List

No.	5031	Description
1.	5031-5901	Lid Assembly
2.	5031A5211	Head Grill & Grate Assembly
3.	5031-5031	Head Assembly (Electronic Ignition)
4.	5031-5011	Head Assembly (Match Light)
5.	9950-1491	Control Knob
6.	5031-5851	Igniter Unit (Electronic Ignition)



## Follow instructions and warnings to avoid fires, serious injury, or death.

### ⚠ WARNING:

1. Always inspect propane cylinder and heater propane connections for damage, dirt, and debris before attaching propane cylinder.
2. Do not use if head is damaged, punctured or deteriorated.
3. Always attach or detach cylinder outdoors away from flames, other ignition sources, and only when heater is cool to touch.
4. Use 16.4 oz. (465 g) cylinders only. Do not connect to bulk propane systems.
5. Never store propane near flame, pilot lights, other ignition sources or where temperatures exceed 120°F (49°C). Replace protective cap on cylinder after detaching cylinder from appliance.
6. This appliance consumes air. When used in any inside area, provide a fresh air opening of at least 3 square inches (19 square centimeters). Do not use other burning appliances inside.
7. Never operate the heater while sleeping.
8. This heater gets very hot, but no flame is visible. Keep all flammables (tents, sleeping bags, etc.) at least 2 feet (0.6 m) from heater. Never operate heater near any flammable liquids or vapors.
9. Propane is heavier than air and will accumulate in low places. If you smell gas in an enclosure, leave immediately and ventilate thoroughly.
10. Use for heating only. Never modify or alter or use with any part or device not approved by Coleman.
11. Never refill disposable cylinders.
12. Keep out of reach of children.



Fig. 1



Fig. 2



Fig. 3



Fig. 4

## To set up

- Remove components from package. (Fig. 1)
- Turn HEATER VALVE to OFF. (Fig. 2)
- Remove CAP from PROPANE CYLINDER (Fig. 3)
- Attach CYLINDER to HEATER outdoors. (Fig. 4 & 5)
- Do not over tighten CYLINDER to HEATER. Hand snug only.

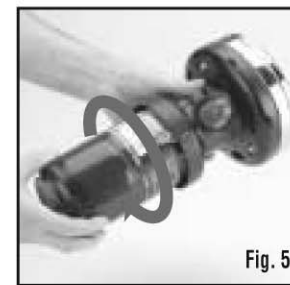


Fig. 5

## To light - Electronic Ignition

- Insert HEATER into base. (Fig. 6)
- Position HEATER as shown on flat surface. (Fig. 7)
- Note: Do not attempt to operate heater in any position but upright. Using it on its side could cause damage to collar.



Fig. 6



Fig. 7

- Turn valve to light position and hold for 8-10 seconds—push red ignition button several times. (Fig. 8 & 9). (If you are lighting unit outdoors, find a sheltered area and allow 12-15 seconds before pushing ignitor button).
- Heater will ignite with a brief visible flame. Continue to hold VALVE at LIGHT position for an additional 10 seconds. Release knob and it will return to ON position.
- NOTE: Heater is designed to be lit with the valve fully open until it reaches full output. Observe heat build up for a few minutes before leaving heater unattended. If heater fails to develop substantial heat, turn heater "OFF" and repeat lighting procedure.



Fig. 8



Fig. 9

## To light - Match Light

- Insert HEATER into BASE. (Fig. 10)
- Position HEATER as shown on flat surface. (Fig. 11)
- Note: Do not attempt to operate heater in any position but upright. Using it on its side could cause



Fig. 10



Fig. 11

- NOTE: Heater is designed to be lit with the valve fully open until it reaches full output. Observe heat build up for a few minutes before leaving heater unattended. If heater fails to develop substantial heat, turn heater "OFF" and repeat lighting procedure.

- Hold match as shown. (Fig. 12) Turn valve to LIGHT position and hold for 8-10 seconds. (If you are lighting unit outdoors, find a sheltered area and allow 12-15 seconds).
- Heater will ignite with a brief visible flame. Continue to hold VALVE at LIGHT position for an additional 10 seconds. Release knob and it will return to ON position.



Fig. 12

## To turn off

- Turn FUEL VALVE to OFF. (Fig. 13)
- Allow HEATER to cool for 10-15 minutes.



Fig. 13

## To store

- Make sure heater is cool.
- Move heater outdoors away from any flammable items or ignition sources.
- Remove cylinder from heater. (Fig. 14)
- COVER can be placed on HEATER for temporary storage. (Fig. 15)



Fig. 14



Fig. 15

- For long term storage, unit can be broken down to separate base from cylinder. (Fig. 16)



Fig. 16



Fig. 17

## Things you should know

1. This is a catalytic heater. Burning occurs within the pad at a lower temperature than a normal flame due to evenly distributed platinum. But, heat guard and burner rim still get hot enough to burn you. Be careful.
2. Do not use heater for cooking or warming items, this can destroy the catalyst. This heater has a low burn temperature (no flame) but it can still burn clothing, sleeping bags, etc. that might fall on the burner surface.
3. Do not use heater in rain or snow. Moderate to heavy moisture on the head will extinguish the catalytic process.
4. To avoid damage to the catalyst, do not allow head pad to come in contact with or around silicone based hand creams, paints, etc.
5. Do not touch the gray ceramic fiber head pad or poke a hole into it.
6. Do not attempt cleaning the head assembly.
7. For repair service call one of the numbers listed below for location of your nearest Coleman Service Center. If heater must be mailed to Service Center, attach your name, address, and a description of problem to product and mail to Service Center pre-paid. *Do not mail propane cylinders.* If necessary to write the Service Center or factory, refer to your heater by model number.
8. If not completely satisfied with performance of this product, please call one of the numbers listed below.

The Coleman Co., Inc.  
3600 N. Hydraulic  
Wichita, KS 67219 U.S.A.  
1-800-835-3278  
TDD: 316-832-8707

The Canadian Coleman Company, Ltd.  
5975 Falbourne Street  
Mississauga, Canada L5R 3V8  
1 800 387-6161