



Butane/Propane Mix Catalytic Heater

INSTRUCTIONS FOR USE

U.S. and other Patents Pending
© 2003 The Coleman Company, Inc.
www.coleman.com

IMPORTANT

Read this manual carefully before assembling, using or servicing this heater. Keep this manual for future reference. If you have questions about assembly, operation, servicing or repair of this heater, please call Coleman at 1-800-835-3278 or TDD: 316-832-8707. In Canada call 1-800-387-6161.



Model 5034-700
Butane/Propane Mix Series



CAN1-11.3-M79 Camp Heater

Contents

General Safety Information
To Set Up
To Light
To Turn Off
To Store
Things You Should Know
Replacement Parts List
Warranty

General Safety Information

FOR YOUR SAFETY

If you smell gas:

1. Do not attempt to light appliance.
2. Extinguish any open flame.
3. Disconnect from fuel supply.




FOR YOUR SAFETY

Do not store or use gasoline or other liquids with flammable vapors in the vicinity of this or any other appliance.

Warning

• THIS APPLIANCE CONSUMES AIR

- When used in any inside area, provide a fresh air opening of at least three square inches (19 square centimeters).
- Never operate the heater while sleeping.
- Do not use other burning appliances inside.

This manual contains important information about the assembly, operation and maintenance of this heater. General safety information is presented in these first few pages and is also located throughout the manual. Particular attention should be paid to information accompanied by the safety alert symbol “ DANGER”, “ WARNING”, “ CAUTION”.

Keep this manual for future reference and to educate new users of this product. This manual should be read in conjunction with the labeling on the product.

Safety precautions are essential when any mechanical or LPG (liquefied petroleum gas) equipment is involved. These precautions are necessary when using, storing, and servicing. Using this equipment with the respect and caution demanded will reduce the possibilities of personal injury or property damage.

The following symbols shown below are used extensively throughout this manual. Always heed these precautions, as they are essential when using any mechanical or propane fueled equipment.

General Safety Information *cont.*

DANGER

DANGER indicates an imminently hazardous situation which, if not avoided, will result in death or serious injury.

WARNING

WARNING indicates a potentially hazardous situation which, if not avoided, could result in death or serious injury.

CAUTION

CAUTION indicates a potentially hazardous situation which, if not avoided, may result in minor or moderate personal injury, or property damage.

DANGER

Failure to comply with the precautions and instructions provided with this heater can result in death, serious bodily injury and property loss or damage from hazards of fire, explosion, burn and/or asphyxiation.

Only persons who can understand and follow the instructions should use or service this heater.

DANGER



• **EXPLOSION - FIRE HAZARD**

- Never store LPG (liquefied petroleum gas) near high heat, open flames, pilot lights, direct sunlight, other ignition sources or where temperatures exceed 120 degrees F (49°C).
- LPG is heavier than air and can accumulate in low places. If you smell gas, leave the area immediately.
- Never install or remove LPG cylinder while catalytic heater is lighted, near flame, pilot lights, other ignition sources or while catalytic heater is hot to touch.
- During operation, this product can be a source of ignition. Never use the catalytic heater in spaces that contain or may contain volatile or airborne combustibles, or products such as gasoline, solvents, paint thinner, dust particles or unknown chemicals. Minimum clearances from combustible materials: 18 inches.
- Provide adequate clearances around air openings into the combustion chamber.

WARNING

We cannot foresee every use which may be made of our products. **Check with your local fire safety authority if you have questions about use.**

Other standards govern the use of fuel gases and heat producing products for specific uses. Your local authorities can advise you about these.

- Never refill disposable LPG cylinder.
- Use the preset regulator that came with the catalytic heater. Do not attempt to adjust.

WARNING

- This product is fueled by LPG. LPG is invisible, odorless, and flammable. An odorant is normally added to help detect leaks and can be described as a “rotten egg” smell. The odorant can fade over time so leaking gas is not always detectable by smell alone.
- LPG is heavier than air and leaking LPG will sink to the lowest level possible. It can ignite by ignition sources including matches, lighters, sparks or open flames of any kind many feet away from the original leak. Use only LPG set up for vapor withdrawal.
- LPG should be stored or used in compliance with local ordinances and codes or with ANSI/NFPA 58. Turn off LPG when not in use.

CALIFORNIA PROPOSITION 65:

WARNING: This fuel, and byproducts of combustion of this fuel, contain chemicals known to the state of California to cause cancer, birth defects, or other reproductive harm.

WARNING



• BURN HAZARD

- Never leave catalytic heater unattended when hot or in use.
- Keep out of reach of children.

CAUTION

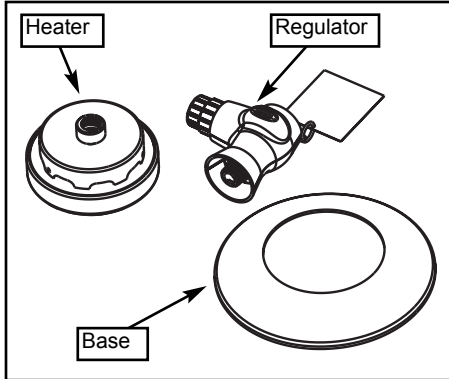
• SERVICE SAFETY

- Keep all connections and fittings clean. Inspect LPG cylinder and catalytic heater LPG connections for damage before attaching.
- During set up, check all connections and fittings for leaks using soapy water. Never use a flame. Bubbles indicate a leak. Check that the connection is not cross-threaded and that it is tight. Perform another leak check. If there is still a leak, remove the cylinder and contact Coleman for service or repairs.
- Use as a heating appliance only. Never alter in any way or use with any device or part not specifically designed and sold for this product.

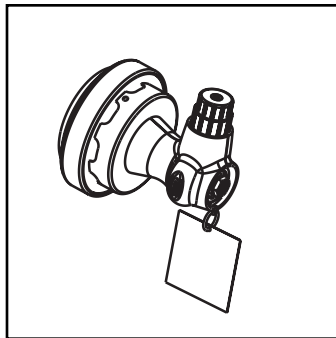
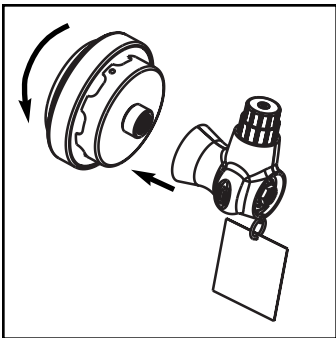
To Set Up

NOTE: Use 7 3/4 oz disposable butane/propane mix cylinder only. Do not connect to bulk LPG systems. The LP-gas cylinder(s) used with catalytic heaters must be constructed and marked in accordance with the specifications for LP-gas cylinders of the U.S. Department of Transportation or *Transport Canada, CAN/CSA B339*.

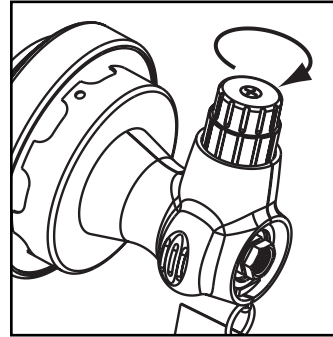
■ Unit includes Heater Assembly, Regulator Assembly, and Base. The LPG tank is not included.



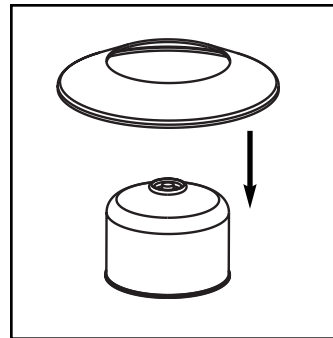
■ Attach Heater Assembly to Regulator Assembly hand tight.



■ Turn HEATER VALVE to OFF.



■ Place fuel cylinder on a solid surface. Press Base over fuel cylinder.

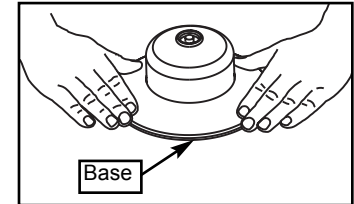


⚠ CAUTION

• SERVICE SAFETY

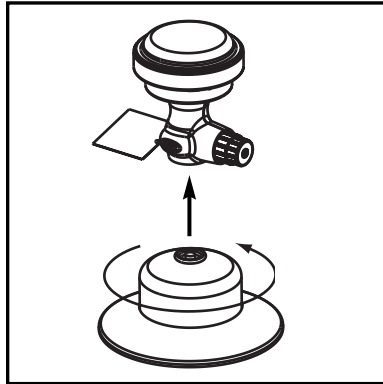
- Keep all connections and fittings clean. Inspect LPG cylinder and heater LPG connections for damage before attaching.
- During set up, check all connections and fittings for leaks using soapy water. Bubbles indicate a leak. Never use a flame.

■ Use both hands to firmly press the Base in place.

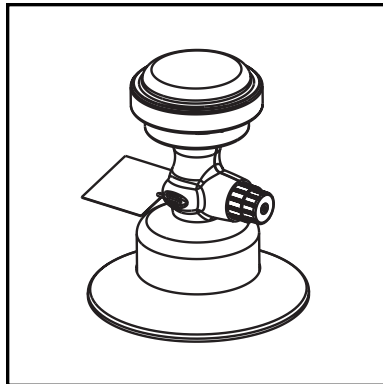


Note: Using the heater without the Base on the fuel cylinder will void compliance with **CAN1-11.3-M79**.

To Set Up *cont.*



- Attach CYLINDER to HEATER outdoors.



- Position HEATER as shown on flat surface.

To Light

! DANGER



• EXPLOSION - FIRE HAZARD

- LPG is heavier than air and can accumulate in low places. If you smell gas, leave the area immediately.
- Always attach or detach LPG source outdoors; never while heater is lighted, near flame, pilot lights, other ignition sources or while heater is hot to touch.
- This heater is red hot during use and can ignite flammables too close to the burner. Keep flammables at least 18 inches from the sides and 18 inches from the top of the heater. Keep gasoline and other flammable liquids and vapors well away from heater.

! WARNING



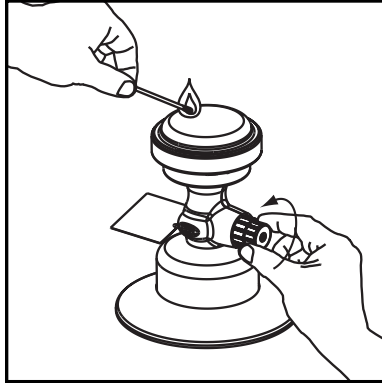
• BURN HAZARD

- Never leave heater unattended when hot or in use.
- Keep out of reach of children.

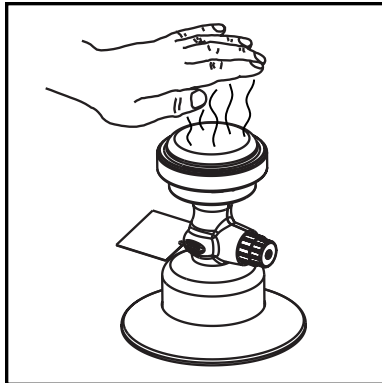
To Light *cont*

■ Hold match as shown. Turn valve to LIGHT position and hold for 8-10 seconds.

■ Heater will ignite with a brief visible flame. Continue to hold VALVE at LIGHT position for an additional 10 seconds. Release knob. It will return to ON position. Heater is NOT adjustable.

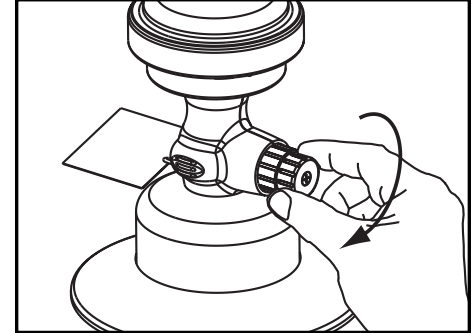


■ NOTE: Heater is designed to be lit with the valve fully open until it reaches full output. Observe heat build up for a few minutes to ensure heater is lit. If heater fails to develop substantial heat, turn heater "OFF" and repeat lighting procedure.



To Turn Off

- Turn FUEL VALVE to OFF.
- Allow HEATER to cool for 10-15 minutes.



To Store

⚠ DANGER

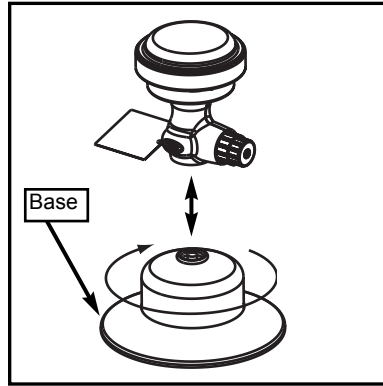


• **EXPLOSION - FIRE HAZARD**

- Never store LPG cylinders near high heat, open flames, pilot lights, direct sunlight, other ignition sources or where temperatures exceed 120 degrees F (49°C).

To Store *cont*

- Make sure Heater is cool.
- Take unit outdoors away from any ignition sources. Remove LPG cylinder from Heater.
- The Base is removable for storage.



Things You Should Know

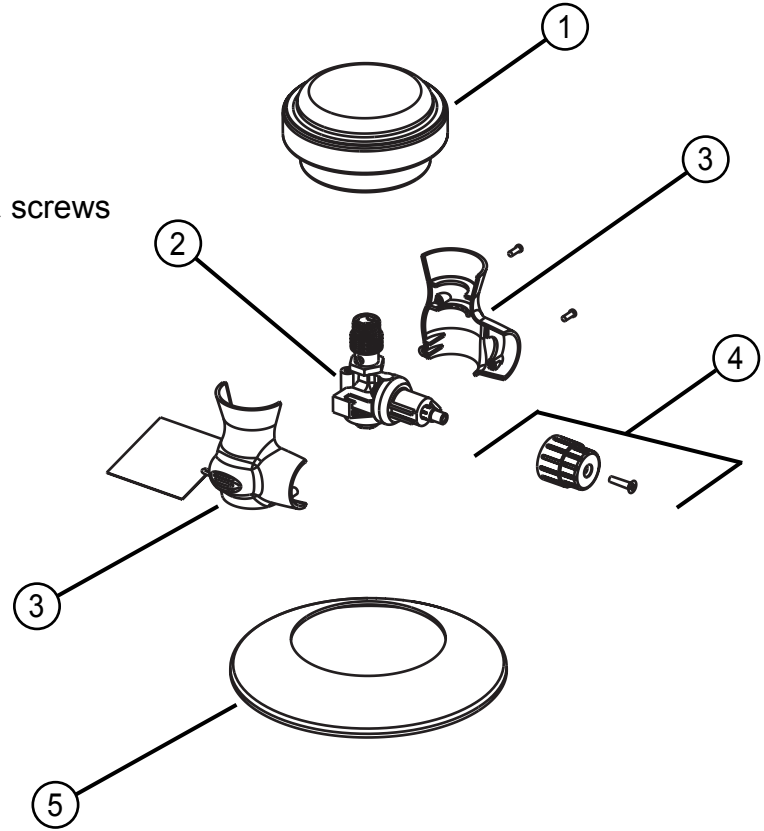
1. This is a catalytic heater. Burning occurs within the pad at a lower temperature than a normal flame due to evenly distributed platinum. But, heat guard and burner rim still get hot enough to burn you. Be careful.
2. Do not use heater for cooking or warming items, this can destroy combustion and catalyst. This heater has a low burn temperature (no flame) but it can still burn clothing, sleeping bags, etc., that might fall on the burner surface.
3. To avoid damage to the catalyst, do not allow head pad to come in contact with or around silicone based hand creams, paints, etc.
4. Do not touch the gray ceramic fiber head pad or poke a hole into it.
5. Do not attempt cleaning the head assembly.
6. For repair service call one of the numbers listed below for location of your nearest Coleman Service Center. If heater must be mailed to Service Center, attach your name, address, and a description of problem to product and send to Service Center either by UPS or Parcel Post **insured with shipping and insurance** prepaid. *Do not mail LPG cylinders.* If necessary to write the Service Center or factory, refer to your heater by model number.
7. If not completely satisfied with performance of this product, please call one of the numbers listed below.
8. As with any new heating appliance, a small amount of smoke may be seen during the initial operation as a result of residual manufacturing oils being heated. This is normal. Coleman suggests the owner operate the heater for 30 minutes when first purchased. This will also familiarize the owner with all the features of the heater.

The Coleman Co., Inc.
3600 N. Hydraulic
Wichita, KS 67219 U.S.A.
1-800-835-3278
TDD: 316-832-8707

Sunbeam Corporation (Canada) Limited
5975 Falbourne Street
Mississauga, Ontario
Canada L5R 3V8
800 387-6161

Replacement Parts List

No.	Part No.	Description
1	5034-2021	Heater Assembly
2	R5034-525J	Regulator Assembly
3	5034-6711	Collar Assembly (left/right) & screws
4	5034-1261	Control Knob & screw
5	5034-1231	Base



Coleman Limited Five-Year Warranty

Coleman will repair or replace, at its option, this product or any component found to be defective in materials or workmanship within five years of the original retail purchase. This warranty is valid for the original retail purchaser from the date of initial retail purchase and is not transferrable. Keep the original sales receipt. Proof of purchase is required to obtain warranty performance. Coleman dealers, service centers, or retail stores offering Coleman products do not have authority to alter, modify or in any way change the terms or conditions of this warranty.

WHAT IS NOT COVERED

- Cost of shipment to Coleman
- Normal wear and tear, including chips, scratches, abrasion, discoloration or fading from use or exposure to sunlight
- Damage caused by misuse, abuse, neglect, alterations, repairs by unauthorized persons, use of non-Coleman accessories or parts, or failure to follow recommended care or maintenance instructions
- Products used for commercial purposes or in profit or non-profit instructional or rental operations
- Mantles, generators, light bulbs, batteries or fuel
- CONSEQUENTIAL DAMAGES, INCIDENTAL DAMAGES, OR EXPENSES, INCLUDING DAMAGES TO PROPERTY. SOME STATES/PROVINCES DO NOT ALLOW THE EXCLUSION OR LIMITATION OF INCIDENTAL OR CONSEQUENTIAL DAMAGES, SO THE ABOVE LIMITATION OR EXCLUSION MAY NOT APPLY TO YOU.

IMPLIED WARRANTIES

Any implied warranties, either statutory or otherwise, including implied warranties of merchantability and fitness for a particular purpose, shall be limited to the duration and terms of the express warranties set forth in this limited warranty. Some states/provinces do not allow limitations on how long an implied warranty lasts, so the above limitation may not apply to you.

This warranty gives you specific legal rights, and you may also have other rights that vary from from state to state or province to province.

HOW TO OBTAIN WARRANTY PERFORMANCE

Take the product to an authorized Coleman Service Center. If one is not conveniently located, attach a tag to the product which includes your name, address, telephone number and description of the problem. Include a copy of the original sales receipt. Carefully package the product and send either by UPS or Parcel Post **insured** with shipping and **insurance** prepaid to: USA: The Coleman Company Inc., 3600 N. Hydraulic, Wichita, KS 67219, or CANADA: Sunbeam Corporation (Canada) Limited, 5975 Falbourne Street, Mississauga, Canada L5R 3V8. Please do not mail products with fuel in tanks, or with disposable LPG cylinders. Remove glass globes from lanterns.

If you are located outside the United States or Canada, return this product to the place you purchased it, or to any other retailer seller of similar Coleman products, and request warranty assistance. If you are unable to obtain warranty assistance, then you may call any of the following Coleman offices for further assistance:

www.coleman.com

For products purchased in the United States:

The Coleman Co., Inc.
3600 N. Hydraulic
Wichita, KS 67219 U.S.A.
1-800-835-3278
TDD: 316-832-8707

For products purchased in Canada:

Sunbeam Corporation (Canada) Limited
5975 Falbourne Street
Mississauga, Ontario
Canada L5R 3V8
1 800 387-6161



The Coleman Co., Inc. • 3600 N. Hydraulic • Wichita, KS 67219 U.S.A.
1-800-835-3278 • TDD: 316-832-8707

Sunbeam Corporation (Canada) Limited • 5975 Falbourne Street
Mississauga, Ontario, Canada L5R 3V8 • 1 800 387-6161

©2003 The Coleman Company, Inc. All rights reserved.
Coleman® is a registered trademark of The Coleman Company, Inc.

©2003 The Coleman Company, Inc. Tous droits réservés.
Coleman® est une marque déposée de The Coleman Company, Inc.

©2003 The Coleman Company, Inc. Derechos Reservados
Coleman® es una marca registrada de la Compañía Coleman, Inc.