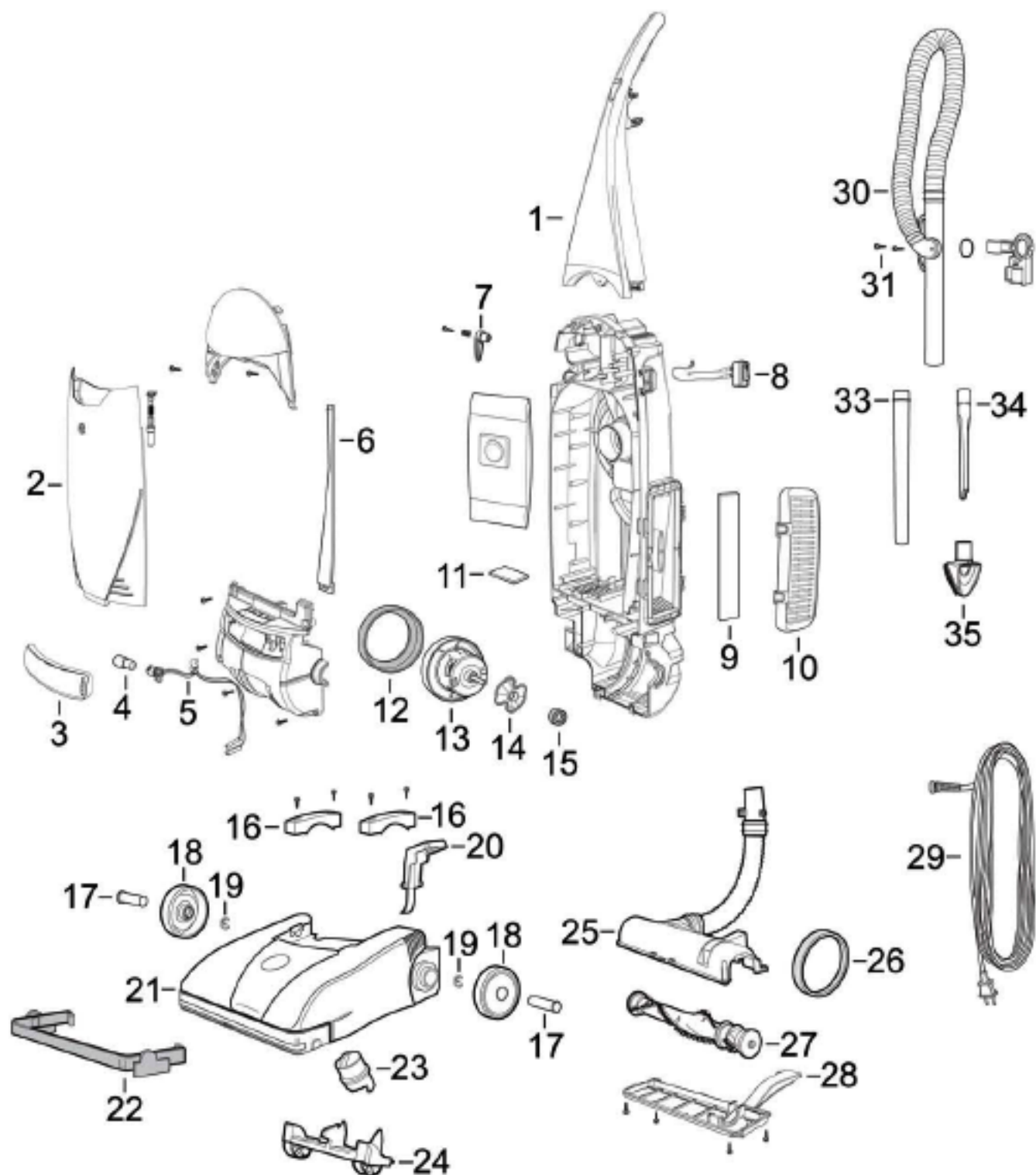


UPRIGHT VACUUM

Powerforce™ 3525 Series



UPRIGHT VACUUM
POWERFORCE™ Model 3525

KEY	PART NO	DESCRIPTION
1	2035578	HANDLE ASSY, BLACK
2	2035579	BAG DOOR ASSY - BLACK
3	2035580	WINDOW, LAMP
4	2031297	BULB - 12V
5	2031108	HARNESS THERMO
6	2031106	WIRE CAP
7	2031018	CORD RELEASE
8	2031035	SWITCH
9	2031009	POST MOTOR FILTER
10	2031088	FILTER GRILLE - POST
11	2035576	PRE MOTOR FILTER
12	2031107	MOTOR CUSHION - LARGE
13	2032211	VACUUM MOTOR
14	2031101	MOTOR SUPPORT
15	2031102	MOTOR CUSHION - SMALL
16	2031112	NECK BRUSH
17	2032547	AXLE
18	2032070	REAR WHEEL
19	2032548	E-RING
20	2031044	LEVER RELEASE
21	2035582	FOOT COVER - BLACK
22	2031114	BUMPER
23	2031095	HEIGHT ADJUSTMENT KNOB
24	2031330	FRONT WHEEL ASSY
25	2031110	CASE DRUM ASSY
26	2031093	BELT
27	2032032	BRUSH
28	2035583	ACCESS PLATE
29	2031105	CORD
30	2031097	HOSE ASSY
31	2031003	SCREW FOR HANDLE ASSY
33	2031022	EXTENSION WAND
34	2031063	CREVICE TOOL
35	2031099	COMBO TOOL UP/DUSTING
xx	32120	STYLE 7 BAG (3-PACK)
xx	32074	STYLE 7 BELT (2-PACK)
xx	6035577	USER'S GUIDE