

This Owner's Manual is provided and hosted by [Appliance Factory Parts](#).



# Coleman 2300A700 Owner's Manual

[Shop genuine replacement parts for Coleman  
2300A700](#)



[Find Your Coleman Camping Parts - Select From 855 Models](#)

----- Manual continues below -----



# HOT WATER

*On Demand™*

MODEL #2300 Series

## Instructions for Use



CSA Requirement 3.03-US  
Portable Water Heater For Outdoor Use

**Outdoor use only**

### IMPORTANT

Read this manual carefully before assembling, using or servicing this product. Keep this manual for future reference. If you have questions about assembly, operation, servicing or repair, please call Coleman at 1-800-835-3278 or TDD: 316-832-8707.

## Contents

General Safety Information .....	2-3	Maintenance .....	8
System Overview .....	3	Troubleshooting Guide .....	9
Before You Go .....	4	Service .....	9
To Set Up .....	4-6	Replacement Parts .....	10
Use and Operation .....	6-7	Warranty Information .....	11
Helpful Hints .....	8	Accessories .....	12
Storage .....	8		

## General Safety Information

This manual contains important information about the assembly, operation and maintenance of this water heater. General safety information is presented in these first few pages and is also located throughout the manual. Particular attention should be paid to information accompanied by the safety alert symbol “▲ DANGER”, “▲ WARNING”, “▲ CAUTION”.

Keep this manual for future reference and to educate new users of this product. This manual should be read in conjunction with the labeling on the product.

Safety precautions are essential when any mechanical or propane fueled equipment is involved. These precautions are necessary when using, storing, and servicing. Using this equipment with the respect and caution demanded will reduce the possibilities of personal injury or property damage.

The symbols shown below are used throughout this manual. Always heed these precautions, as they are essential when using any mechanical or propane fueled equipment.

### ▲ DANGER

DANGER indicates an imminently hazardous situation which, if not avoided, will result in death or serious injury.

### ▲ WARNING

WARNING indicates a potentially hazardous situation which, if not avoided, could result in death or serious injury.

### ▲ CAUTION

CAUTION indicates a potentially hazardous situation which, if not avoided, may result in minor or moderate personal injury, or property damage.

## FOR YOUR SAFETY

If you smell gas:

1. Do not attempt to light appliance.
2. Extinguish any open flame.
3. Disconnect from fuel supply.

## General Safety Information *cont.*

### FOR YOUR SAFETY

**Do not store or use gasoline or other flammable vapors and liquids in the vicinity of this or any other appliance.**

#### CALIFORNIA PROPOSITION 65:

WARNING: This fuel, and byproducts of combustion of this fuel, contain chemicals known to the state of California to cause cancer, birth defects, or other reproductive harm.

### ▲ DANGER



#### • CARBON MONOXIDE HAZARD

- This appliance can produce carbon monoxide which has no odor.
- Using it in an enclosed space can kill you.
- Never use this appliance in an enclosed space such as a camper, tent, car or home.

### ▲ DANGER



#### • EXPLOSION - FIRE HAZARD

- Never store propane near high heat, open flames, pilot lights, direct sunlight, other ignition sources or where temperatures exceed 120 degrees F (49°C).
- Propane is heavier than air and can accumulate in low places. If you smell gas, leave the area immediately.
- Never install or remove propane tank while heater is operating, near flame, pilot lights, other ignition sources or while heater is hot to touch.
- During operation, this product can be a source of ignition. Never use the heater in spaces that contain or may contain volatile or air-borne combustibles, or products such as gasoline, solvents, paint thinner, dust particles or unknown chemicals. Minimum clearances from combustible materials: 12 inches from the sides & 48 inches from the top.
- Provide adequate clearances around air openings into the product.

### ▲ DANGER

Failure to comply with the precautions and instructions provided with this product can result in death, serious bodily injury and property loss or damage from hazards of fire, explosion, burn, asphyxiation, and/or carbon monoxide poisoning.

Only persons who can understand and follow the instructions should use or service this product.

If you need assistance or information such as an instruction manual or labels, contact The Coleman Company, Inc.

## ⚠ WARNING

- This product is fueled by propane gas. Propane gas is invisible, odorless, and flammable. An odorant is normally added to help detect leaks and can be described as a “rotten egg” smell. The odorant can fade over time so leaking gas is not always detectable by smell alone.
- Propane gas is heavier than air and leaking propane will sink to the lowest level possible. It can ignite by ignition sources including matches, lighters, sparks or open flames of any kind many feet away from the original leak. Use only propane gas set up for vapor withdrawal.
- Propane gas should be stored or used in compliance with local ordinances and codes or with ANSI/NFPA 58. Turn off propane when not in use.
- Disconnect propane before storing the heater.

## ⚠ WARNING

Not for home or recreational vehicle use.

We cannot foresee every use which may be made of our products. **Check with your local fire safety authority if you have questions about use.**

Other standards govern the use of fuel gases and heat producing products for specific uses. Your local authorities can advise you about these.

- Never refill disposable cylinders.
- Use the preset regulator that is installed in the water heater. Do not attempt to adjust.

## ⚠ WARNING



### • BURN HAZARD

- Never leave heater unattended when hot or in use.
- Keep out of reach of children.

## ⚠ CAUTION

### SERVICE SAFETY

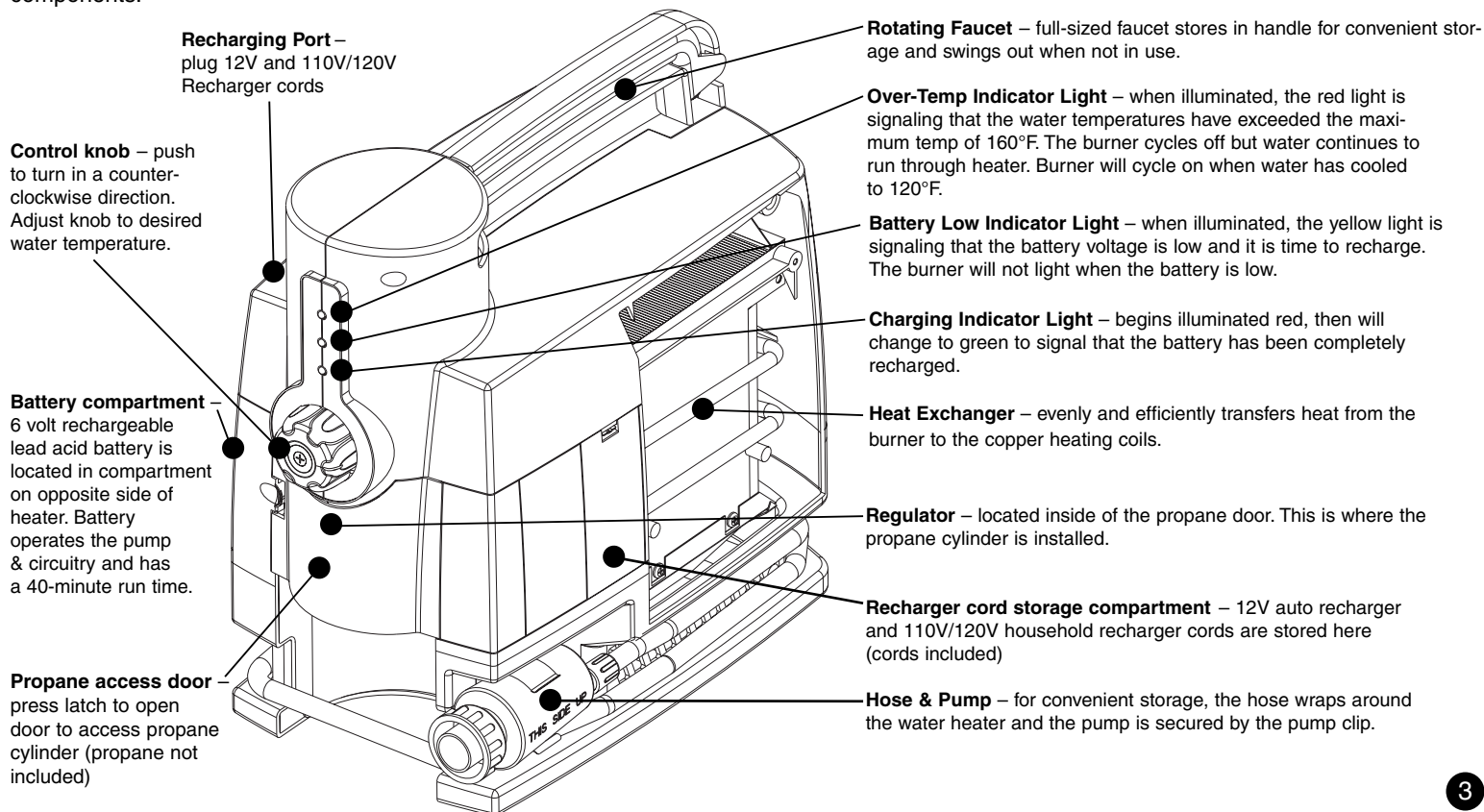
- Keep all connections and fittings clean. Inspect propane cylinder and propane connections for damage before attaching.
- During set up, check all connections and fittings for leaks using soapy water. Never use a flame. Bubbles indicate a leak. Check that the connection is not cross-threaded and that it is tight. Perform another leak check. If there is still a leak, remove the cylinder and contact Coleman for service or repairs.
- Use for water heating only. Never alter in any way or use with any device or part not expressly approved by Coleman.
- Always use in an upright position.

## ⚠ WARNING

If used on boats, use only above deck with disposable cylinders.

## System Overview

Thank you for purchasing Coleman's **Hot Water on Demand™** unit. This portable and self-contained water heater provides hot water for cleaning, cooking, washing – it even makes water hot enough for a satisfying mug of tea, coffee or cocoa. Here are some of the key components.



## Before You Go

Preparing **Hot Water on Demand™** unit for initial use.

- **Unpack** your new water heater from the carton and make sure that all of the parts are included. If you find that one of the components is missing, please contact Coleman for a replacement. 1-800-835-3278 or TDD 1-316-832-8707.



5-Gallon Collapsible  
Water Carrier  
(#809A606T)

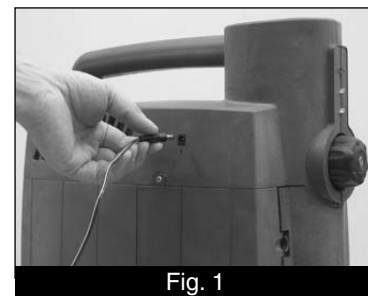


12 Volt Auto  
Recharger Cord  
(Located in storage compartment of your  
**Hot Water on Demand™** unit)  
(#2300-4071)



110V/120 Volt Household  
Recharger Cord  
(Located in storage compartment of your  
**Hot Water on Demand™** unit)  
(#2300-4081)

- **Charge the battery.** Plug either 12 Volt Auto Recharger Cord or 110V/120 Volt Household Recharger Cord into unit and the power source.
- Charging LED should come on. Allow eight hours to fully charge the battery. RED color indicates a charging battery. A GREEN color indicates a fully charged battery.
- **Charge the battery before using your water heater for the first time** (Fig. 1).
- **Clean before first use.** It is strongly recommended that you clean the heater prior to using for the first time. Follow the simple steps on page 6 before you leave home, and then clean at least once a year or when the hose becomes discolored with a white calcium build up.

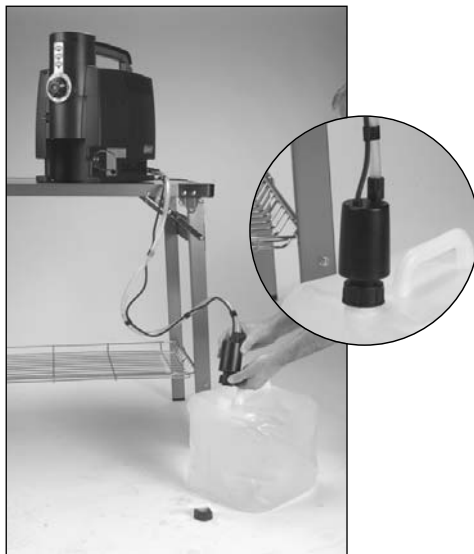


## To Set Up

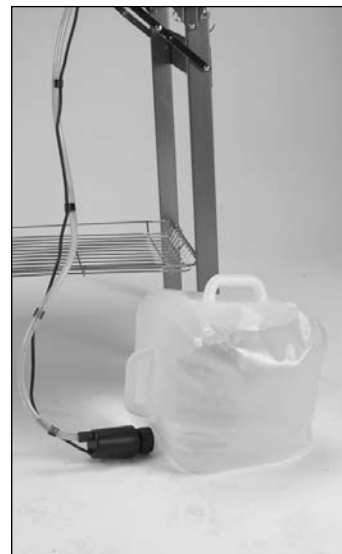
- **Select** a level, sturdy surface for your water heater. A picnic table or camp table is ideal. Do not operate **Hot Water on Demand™** unit from a position directly on the ground. (This allows water to drain, preventing damage while the unit is off in freezing temperatures.)
- **Fill** the 5-gallon collapsible water container with water – use only potable **drinking water**. **Never use water from a lake or stream that has not been purified.** Do not run any other liquid through **Hot Water on Demand™** unit.

### • WATER CONNECTION

- Unwrap the pump hose from around the water heater.
- Place the water carrier at a level below the water heater for proper drainage.
- Screw the water pump to the opening of the water container & hand tighten.
- Lay the water container on its side so the pump is towards the bottom of the container (step 2).
- Make sure to rotate the pump where “THIS SIDE UP” is facing upward so pump will prime and water will flow.



**Step 1: Screw the Pump onto the opening of the Water Container and Hand Tighten.**



**Step 2: Lay the Water Container on its side so the Pump is towards the bottom of the container.**



**You can also submerge The Water Pump into an open water container such as a cooler. (Cooler not included.)**

- **Installation** of propane cylinder in **Hot Water on Demand™** unit.
  - Use standard propane cylinders made for camping products.
  - Do **not** use 14.1oz cylinders normally used for hand torches.
  - Do **not** use MAPP gas cylinders or any other fuel except propane.
  - Make sure the control knob is turned “OFF”.
  - Push in on the propane access door latch that is located on the left side of the door and swing door to opened position.



Open the Propane Access Door.

- Remove cap from propane cylinder but do not discard.
- While holding the propane cylinder upright, thread it into the REGULATOR located inside the door by turning as shown. Be careful not to cross-thread, hand tighten only.

### ⚠ WARNING

- If using refillable propane cylinder, the LP-gas cylinder(s) must be constructed and marked in accordance with the specifications for LP-gas cylinders of the U.S. Department of Transportation or *Transport Canada, CAN/CSA B339*. Use only Coleman® accessories or parts. During heater set-up, check all hoses and fittings for leaks using soapy water. Never use a flame. Always keep refillable cylinders outdoors, never inside house, camper or tent.



Remove propane cap.



Install the propane cylinder.

- **Check for Propane Leaks**

### ⚠ WARNING

- Perform leak test outdoors.
- Extinguish all open flames.
- NEVER leak test when smoking.
- Do not use **Hot Water on Demand™** unit until connection has been leak tested and does not leak.

- Make 2 to 3 oz. of leak check solution (one part liquid dishwashing detergent and three parts water).
- Apply several drops of solution at the connection between the propane cylinder and the regulator. (Fig. 2)
- Bubbles indicate a leak.
- Check that the connection is not cross-threaded and that it is tight.
- Perform another leak check. If there is still a leak, remove the cylinder and contact Coleman for services or repair.



Fig. 2

• Close Front Propane Access Door



• Rotate Faucet outward from the stored position and place a water collection basin under faucet.



**Use and Operation**

• **Clean before first use.** It is strongly recommended that you clean the heater prior to using for the first time. Follow these simple steps before you leave home, and then clean at least once a year or when the hose becomes discolored with a white calcium build up.

**Cleaning instructions:**

1. In a clean container mix two-gallons of water with 12 oz. of calcium, lime, and rust remover (available at the cleaner section of hardware, general merchandise and food stores).
2. Place the pump in the container with the water/solution. The label "This Side Up" on pump should be facing up. (Fig. 3)
3. Position the container with the water/solution so that it is placed under the faucet.
4. Push and turn the control knob and position the knob at the "warm" setting. (Fig. 4)
5. Circulate the water/solution through the water heater for 2 minutes, then turn off heater by turning the knob clockwise to the "off" position. (Fig. 5)
6. Dispose of the cleaning solution in a sink or other drain, do not dump on the ground.
7. Fill container with 2 1/2 gallons of clean water.
8. Place the pump in the container with the water.
9. Position the water heater so the container with the water is placed under the faucet.
10. Turn the heater on by pushing and turning the control knob and position to the "cool" setting. (Fig. 6)
11. Circulate the clean water through the water heater for 2 minutes, then turn the knob clockwise to turn the heater off. (Fig. 7)
12. Repeat steps 6-11 with another batch of clean water.

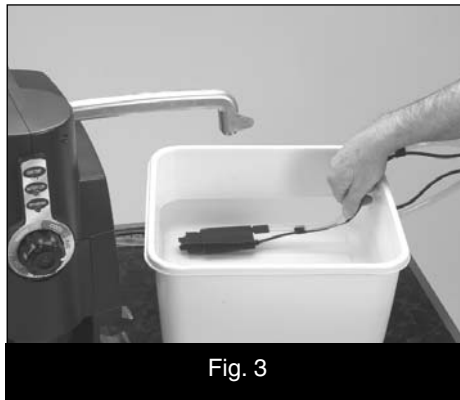


Fig. 3



Fig. 4

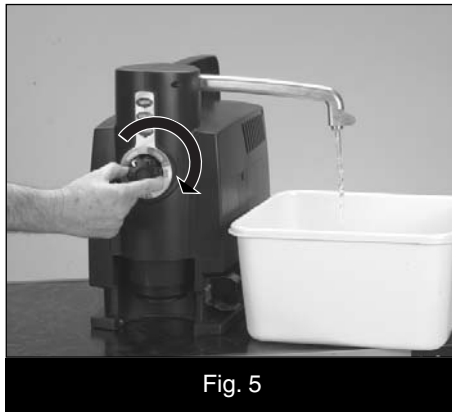


Fig. 5



Fig. 6



Fig. 7

**Hot Water on Demand™ unit is now clean and ready for use.**

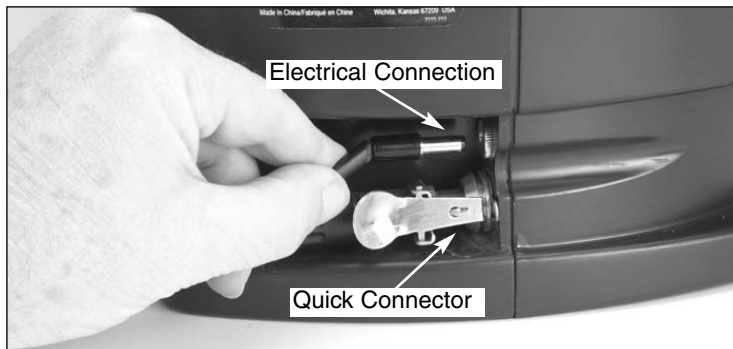
## Use and Operation *cont.*

Follow these simple steps for using **Hot Water on Demand™** unit Complete Set-Up steps on previous pages.

### **CAUTION**

Be cautious before plunging your hands into a basin of water by testing the temperature first.

**NOTE:** Check electrical and quick connector before using **Hot Water on Demand™** unit.



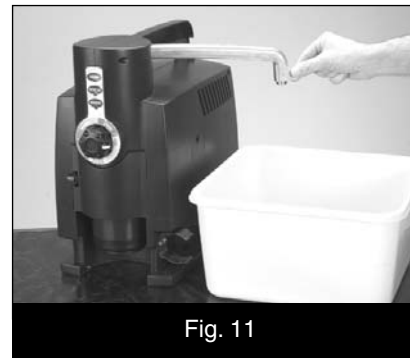
#### For Unheated Water:

- Rotate the faucet outward (Fig. 8).
- Push and turn the control knob counterclockwise and position the knob at the “cool” setting (Fig. 9).
- You can release the knob while unheated water is pumping.
- Turn the knob clockwise to turn the water heater “off” (Fig. 10).
- The resulting output water temperature will be the same temperature as your source water.
- **Hot Water on Demand™** unit will not cool water to a temperature lower than your source water in the cool setting.



#### For Warm Water

- Rotate the faucet outward (Fig. 11).
- Push and turn the control knob counterclockwise and position the knob at the “warm” setting that is comfortable for you (Fig. 12).
- You can release the knob while warm water is pumping.
- Turn the knob clockwise to turn the water heater “off” (Fig. 13).
- The resulting output water temperature is dependent on the temperature of your source water.
- **Hot Water on Demand™** unit will maintain a constant temperature once you select the setting.
- **Hot Water on Demand™** unit will not increase the water temperature more than 55° over the temperature of the source water in the warm setting.



#### For Hotter Water

- Rotate the faucet outward (Fig. 14).
- Push and turn the control knob counterclockwise.
- To reach the hottest water temperature, the knob must be held counterclockwise with one hand all the way to the “hot” setting (Fig. 15).
- When the water has reached your desired temperature, place your cup or mug underneath the faucet.
- When you release the knob, the water heater will automatically reset to warm or you can turn the knob clockwise to turn the water heater “off” (Fig. 16).
- **Hot Water on Demand™** unit will not increase the water temperature more than 100° over the temperature of the source water in the “Hot” setting.



## Helpful Hints

- Due to the integrated mechanical and electrical over-temperature shut-off devices, **Hot Water on Demand™** unit will not produce water that continuously exceeds 160°F. The burner will simply cycle off while the water keeps flowing for your convenience. The burner will cycle back on when internal water temperatures reach about 120°F.
- **Hot Water on Demand™** unit is ideal for many outdoor cleaning tasks. Coleman supports the Leave No Trace Principles that encourage minimal impact to the environment while camping. You'll find that less soap is necessary with warm water than with cool or cold water, so use small amounts of biodegradable soap. Please dispose of your gray water responsibly. Wash yourself or dishes 200 feet away from streams or lakes to avoid soap run-off finding its way to a natural water source. Contact your campground or park to learn about their specific gray water disposal policy.
- **Hot Water on Demand™** unit will typically make 40 gallons of warm or hot water on one full battery charge and a 16.4 oz. cylinder of propane. Make sure to pack sufficient fuel for the duration of your outing.
- To customize and enhance the use of your **Hot Water on Demand™** unit, Coleman offers several accessories. Check your local retailer or order directly from Coleman at 1-800-835-3278 or [www.coleman.com](http://www.coleman.com).
- Continuous operation of water heater at warm setting for 20 minutes may cause the propane cylinder to freeze up. Let the cylinder thaw or replace with a fresh propane cylinder.

## Storage

- **Remove propane cylinder** from heater after use and before transporting or storing **Hot Water on Demand™** unit. If using a bulk tank, disconnect the hose from the bulk tank before transporting or storing. Always store propane outdoors.
- **Drain water** from hoses before storing.
- **Recharge** the battery before storing.
- **For long term storage**, clean and dry **Hot Water on Demand™** unit and store indoors in a clean and dry location.
- Coleman's padded carry case is ideal for storing and transporting **Hot Water on Demand™** unit.

## Maintenance

- **Clean water heater** at least once a year or whenever a white build up appears in the hose. Refer to Cleaning Instructions on page 6 of this manual.
- **Charge battery** immediately after each outing to reach optimum performance.
- **Replacing battery** - Use only a 6-volt, 4 AmpHr rechargeable lead acid battery. Remove the screw from the cover on the right side of your water heater and remove the cover. Pull the battery out from storage compartment and remove the leads from the battery terminals. Place the connectors on the battery terminals making sure to put the red terminal on the red or "+" battery terminal and the black connector on the black or "-" battery terminal. Replacement batteries are available to order from Coleman.

## Troubleshooting Guide

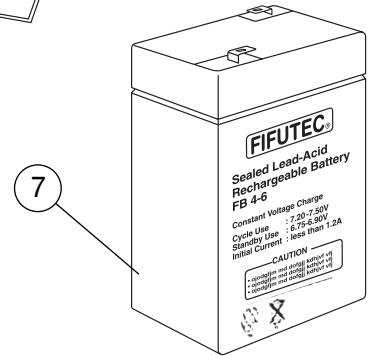
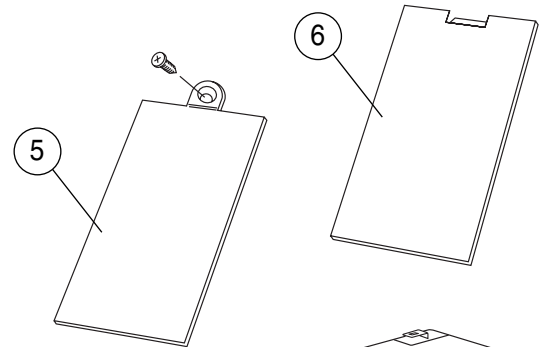
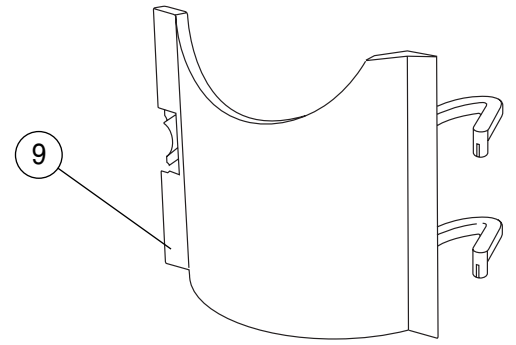
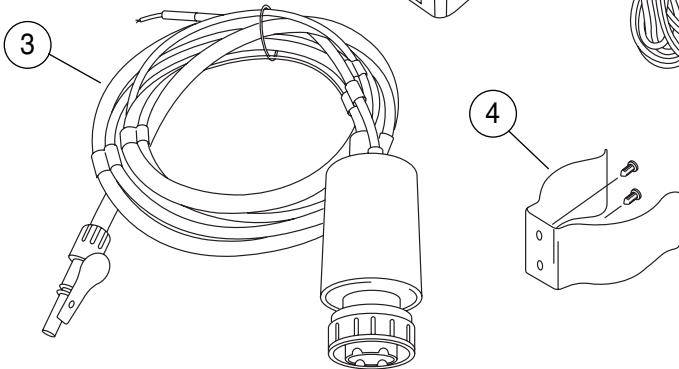
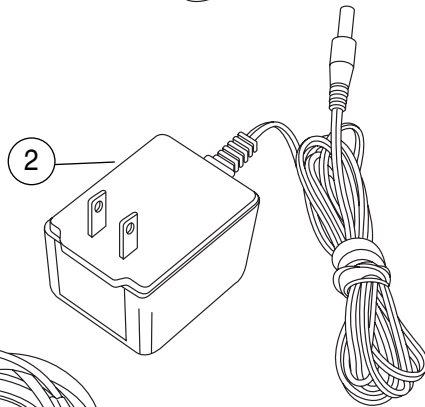
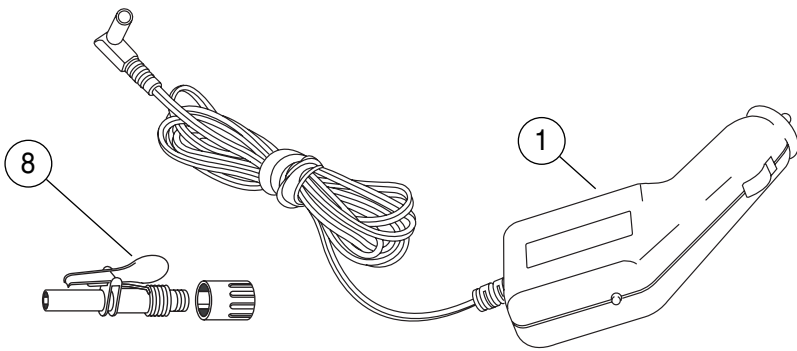
Symptom	Problem	Solution
<b>Yellow battery Low Light on during operation</b>	Battery voltage low	Charge battery
	Battery defective	Replace battery (refer to maintenance section for instructions)
<b>Burner will not light</b>	Propane cylinder empty	Replace cylinder
	Propane cylinder frosted	Replace cylinder and reuse after thawing
	Electronic circuit defective	Send to Coleman Service Center
<b>Low or no water flow (less than 1 gallon per minute)</b>	Battery lead disconnected	Remove battery cover & reinstall lead
	Pump is not positioned properly	Rotate pump so "THIS SIDE UP" is facing upward
	Water container out of water	Fill water container
	Pump screen clogged	Remove and clean screen
	Hose bent or kinked	Straighten hose
	Pump unplugged	Make sure the black wire is plugged into back of heater
	Air bubble in hose	Drain hose completely
<b>Water leak at pump to container</b>	Fitting cross-threaded	Remove pump and reconnect to water container
<b>Hose turns white or discolors inside</b>	Calcium buildup	Clean heater (refer to page 6 for cleaning instructions)
<b>Water leaking from inside heater</b>	Defective seal or break	Send to authorized Coleman Service Center

## Service

- Repairs to gas passages, electrical circuitry and associated components should be done only by Coleman or an authorized service person.
- Owner repair and service should be limited and performed only to the following:
  - Cleaning
  - Propane cylinder leak checks and cylinder replacement
  - Battery replacement
  - Pump & pump hose replacement
  - Repair to doors: battery compartment door & battery charger compartment door.
- For Coleman authorized service, call 1-800-835-3278 – TDD 316-832-8707.

## Parts List

No.	Part No.	Description
1	2300-4071	12 volt Recharger Cord (auto)
2	2300-4081	110 volt/120 volt Recharger Cord (household)
3	2300-6251	Pump and Hose Quick-connect
4	2300-1481	Pump Clip
5	2300-2111	Battery Compartment Door
6	2300-2201	Recharger Cord Compartment Door
7	2300-4061	6 volt Rechargeable Battery
8	2300-5521	Quick Connector
9	2300-1301	Propane Door Cover



[www.coleman.com](http://www.coleman.com)

Contact Coleman  
1-800-835-3278

TDD 316-832-8707

### Three Year Limited Warranty

The Coleman Company, Inc. ("Coleman") warrants that for a period of three years from the date of purchase, this product will be free from defects in material and workmanship. Coleman, at its option, will repair or replace this product or any component of the product found to be defective during the warranty period. Replacement will be made with a new or remanufactured product or component. If the product is no longer available, replacement may be made with a similar product of equal or greater value. This is your exclusive warranty.

This warranty is valid for the original retail purchaser from the date of initial retail purchase and is not transferable. Keep the original sales receipt. Proof of purchase is required to obtain warranty performance. Coleman dealers, service centers or retail stores selling Coleman® products do not have the right to alter, modify or in any way change the terms and conditions of this warranty.

This warranty does not cover normal wear of parts, including chips, scratches, abrasions, discoloration or fading from extended exposure to sunlight or damage resulting from any of the following: negligent use or misuse of the product, use on improper voltage or current, use of non-Coleman® accessories or parts, use contrary to the operating instructions or failure to follow maintenance instructions, commercial for-profit or non-profit instructional or rental applications, disassembly, repair or alteration by anyone other than Coleman or an authorized service center. Further, the warranty does not cover Acts of God, such as fire, flood, hurricanes and tornadoes.

**COLEMAN SHALL NOT BE LIABLE FOR ANY INCIDENTAL OR CONSEQUENTIAL DAMAGES CAUSED BY THE BREACH OF ANY EXPRESS OR IMPLIED WARRANTY. EXCEPT TO THE EXTENT PROHIBITED BY APPLICABLE LAW, ANY IMPLIED WARRANTY OF MERCHANTABILITY OR FITNESS FOR A PARTICULAR PURPOSE IS LIMITED IN DURATION TO THE DURATION OF THE ABOVE WARRANTY. SOME STATES, PROVINCES OR JURISDICTIONS DO NOT ALLOW THE EXCLUSION OR LIMITATION OF INCIDENTAL OR CONSEQUENTIAL DAMAGES OR LIMITATIONS ON HOW LONG AN IMPLIED WARRANTY LASTS, SO THE ABOVE LIMITATIONS OR EXCLUSION MAY NOT APPLY TO YOU. THIS WARRANTY GIVES YOU SPECIFIC LEGAL RIGHTS, AND YOU MAY ALSO HAVE OTHER RIGHTS THAT VARY FROM STATE TO STATE OR PROVINCE TO PROVINCE.**

#### How to obtain warranty service

Take the product to an authorized Coleman service center. You can find the nearest authorized service center by calling 1-800-835-3278 or TDD 1-316-832-8707 in the United States. If a service center is not conveniently located, attach a tag to the product that includes your name, address, daytime telephone number and description of the problem. Include a copy of the original sales receipt. Carefully package the product and send either by **courier** or **insured mail** with shipping and **insurance** prepaid to:

*For products purchased in the United States:*

The Coleman Company, Inc.  
3600 North Hydraulic  
Wichita, Kansas 67219  
1-800-835-3278

Do not mail products with fuel in tanks or with disposable propane cylinders.

**DO NOT RETURN THIS PRODUCT TO PLACE OF PURCHASE.**

If you have any questions about this warranty please contact Coleman.

## Hot Water On Demand™ Accessories (purchased separately)

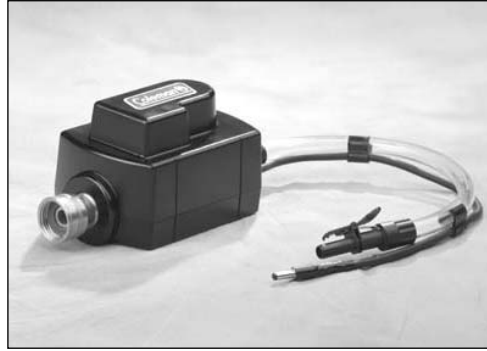


### Spray Adapter

48" long hose easily attaches to faucet of **Hot Water on Demand™** unit with Quick-connect fitting. Handled spray head is ideal for a light shower.

*Not Included*

(#2300A512) Camp  
(#2300-612) Marine

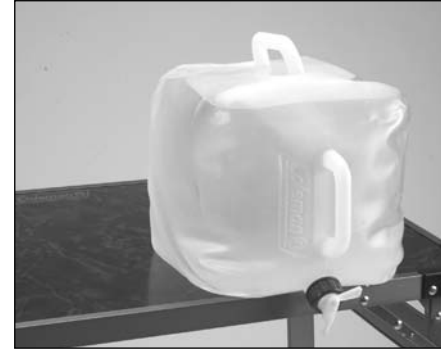


### Water Hose Adapter

Regulates water pressure from input hose up to 100 PSI. Simply attach to **Hot Water on Demand™** unit for a continuous water supply.

*Not Included*

(#2300A511) Camp  
(#2300-611) Marine



### 5 gallon Water Container

Collapses for compact storage when not filled with water – handled carrier includes spigot to dispense water. Threaded opening is sized to screw securely to pump of **Hot Water on Demand™** unit for a sealed connection.

(#809A606T)



### Padded Carry Bag

Sized to carry the **Hot Water on Demand™** unit. Adjustable shoulder strap or barrel handles, includes two zippered side pockets perfect for carrying two 16.4 oz. propane cylinders or other accessories. Includes a PVC raincover that can be used to protect heater from the elements.

*Not Included*

(#2300A200) Camp  
(#2300-207) Marine



### High Pressure Hose & Adapter

Adapts **Hot Water on Demand™** unit to refillable bulk propane tanks. Also works with other Coleman appliances.

(Not recommended for use on boats.)

*Not Included*


(#5470A7931T)

Visit us at  
[www.coleman.com](http://www.coleman.com)



The Coleman Company, Inc. • 3600 North Hydraulic • Wichita, KS 67219 U.S.A.  
1-800-835-3278 • TDD: 316-832-8707

© 2006 The Coleman Company, Inc. All Rights reserved.

Coleman® and  are registered trademarks and  
HOT WATER ON DEMAND™ is a trademark of The Coleman Company, Inc.

Made in China