

This Owner's Manual is provided and hosted by [Appliance Factory Parts](#).



# Coleman 288A700G-2 Owner's Manual

[Shop genuine replacement parts for Coleman  
288A700G-2](#)



[Find Your Coleman Camping Parts - Select From 855 Models](#)

----- Manual continues below -----

**Coleman** 

**Coleman® Fuel  
Lanterns  
Lanternes à  
combustible liquide  
Lámparas de  
combustible líquido**

U.S. PAT. NO. 4,522,582

**Instructions for use  
Mode d'emploi  
Instrucciones de uso**



Litho in the U.S.A.  
288C050T (12/99) P.I.

### Limited Lifetime Warranty

The Coleman Company, Inc. ("Coleman") warrants that for the period that you own this product, it will be free from defects in material and workmanship. Coleman, at its option, will repair or replace this product or any component of the product found to be defective during the warranty period. Replacement will be made with a new or remanufactured product or component. If the product is no longer available, replacement may be made with a similar product of equal or greater value. This is your exclusive warranty.

This warranty is valid for the original retail purchaser from the date of initial retail purchase and is not transferable. Keep the original sales receipt. Proof of purchase is required to obtain warranty performance. Coleman dealers, service centers, or retail stores selling Coleman products do not have the right to alter, modify or in any way change the terms and conditions of this warranty.

This warranty does not cover normal wear of parts or damage resulting from any of the following: negligent use or misuse of the product, use on improper voltage or current, use contrary to the operating instructions, disassembly, repair or alteration by anyone other than Coleman or an authorized service center. Further, the warranty does not cover Acts of God, such as fire, flood, hurricanes and tornadoes.

Coleman shall not be liable for any incidental or consequential damages caused by the breach of any express or implied warranty or conditions. Except to the extent prohibited by applicable law, any implied warranty of merchantability or fitness for a particular purpose is limited in duration to the duration of the above warranty or conditions. Some states, provinces or jurisdictions do not allow the exclusion or limitation of incidental or consequential damages or limitations on how long an implied warranty lasts, so the above limitations or exclusion may not apply to you. This warranty gives you specific legal rights, and you may also have other rights that vary from state to state or province to province.

### How to Obtain Warranty Service

Take the product to an authorized Coleman service center. You can find the nearest authorized Coleman service center by calling 1-800-835-3278 or TDD 316-832-8707 in the United States or 1 800 387-6161 in Canada. If a service center is not conveniently located, attach to the product a tag that includes your name, address, daytime telephone number and description of the problem. Include a copy of the original sales receipt. Carefully package the product and send either by UPS or Parcel Post with shipping and insurance prepaid to:

#### For products purchased in the United States:

The Coleman Company, Inc.  
3600 North Hydraulic  
Wichita, KS 67219

#### For products purchased in Canada:

The Canadian Coleman Company, Ltd.  
c/o Sunbeam Canada  
5975 Falbourne Street  
Mississauga, Canada L5R 3V8

Do not mail products with fuel in tanks, or with disposable propane cylinders. Remove glass globes from lanterns and wrap separately.

**DO NOT RETURN THIS PRODUCT TO THE PLACE OF PURCHASE.**

If you have any questions regarding this warranty please call 1-800-835-3278 or TDD 316-832-8707 in the United States or 1 800 387-6161 in Canada.

### Things you should know

1. Carry a spare set of Coleman Mantles. Once burned, a mantle is fragile and can be damaged if touched or dropped.
2. For best results, use only Coleman fuel in this lantern. Coleman fuel is especially formulated and tested to rigid specifications for long storage life and includes a rust inhibitor to help prevent corrosion. Use of other fuels including unleaded automotive fuel may shorten generator life, damage lantern, and result in unsatisfactory performance.
3. Rinse tank occasionally with fresh fuel to remove sediment, gum formations, and moisture accumulations. If lantern is to be used for standby service, rinse and refill annually with fresh fuel.
4. Oil pump periodically to keep it working smoothly. An arctic weather pump kit is available for use at -20° C (0° F) temperatures.
5. Part of the brightness control is located in the generator. If the lantern fails to adjust from high to low properly, replace the generator.
6. The usual storage areas for camping and picnic equipment are the basement, attic, or garage. To avoid the accumulation of dust, cobwebs, etc. that is common in these storage areas, place your lantern in a plastic bag and seal it with a rubber band.
7. For repair service call one of the numbers listed below for location of your nearest Coleman Service Center. If lantern must be mailed to Service Center, attach your name, address, and a description of problem to product and mail to Service Center prepaid, less globe and ventilator to prevent breakage. If necessary to write the Service Center or factory, refer to your lantern by model number. Do not send fuel.
8. If not completely satisfied with performance of this product, please call one of the numbers listed below.

©1999 The Coleman Company, Inc. All rights reserved. Coleman® is a registered trademark of The Coleman Company, Inc.

The Coleman Co., Inc.  
3600 N. Hydraulic  
Wichita, KS 67219 U.S.A.  
1-800-835-3278  
TDD: 316-832-8707

The Canadian Coleman Company, Ltd.  
5975 Falbourne Street  
Mississauga, Canada L5R 3V8  
1 800 387-6161



Follow instructions and warnings to avoid fires, serious injury, or death.

**WARNING:**

1. Coleman fuel is extremely flammable; handle with care. Fuel vapors are invisible, explosive, and can be ignited by ignition sources many feet away.
2. This lantern is designed to use Coleman fuel. Never use kerosene or automotive fuel.
3. Store fuel in a clean, properly marked container away from flame (including pilot lights), other sources of ignition, or excessive heat.
4. Always fill outdoors. Never fill lantern, loosen or remove fuel cap while lantern is lighted, near flame (including pilot lights), other ignition sources, or while top of lantern is hot to touch.
5. Always light and use lantern outdoors; never inside house, camper, tent, or other unventilated or enclosed areas.
6. This lantern consumes air (oxygen). Do not use in unventilated or enclosed areas to avoid endangering your life.
7. Keep lantern away from flammables. Never allow fabric, clothing, or any flammable material to come within 4 ft. (1.2 m) of the top and 1 ft. (.3 m) of the side of the lantern.
8. Use for lighting only. Never alter in any way or use with any device or part not expressly approved by Coleman. Do not use as a space heater.
9. Replace any mantle with a hole in it. A hole can cause lantern to overheat and create a hazard.
10. Keep out of reach of children.

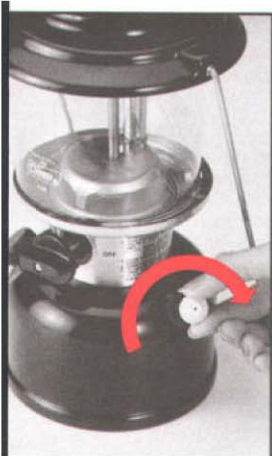
**Filling the lantern**

Always fill outdoors. Never fill lantern, loosen or remove fuel cap while lantern is lighted, near flame (including pilot lights), other ignition sources, or while top of lantern is hot to touch.

■ Turn FUEL VALVE to OFF.



■ Close PUMP KNOB firmly. Turn in direction of arrow.



■ Remove FUEL CAP. Use a funnel or suitable filling device and fill with clean, fresh fuel. Lantern must be in a level position. DO NOT TIP.



**To tie on mantles**

Always use genuine Coleman mantles. Replace damaged mantles to avoid overheating or damaging lantern.

■ Unscrew ball nut at top of lantern and remove ventilator and glass globe.



■ Tie mantle around groove in burner and cut off ends of string 1/4" (.64 cm) from knot.



■ Light bottom of mantle evenly (move match back and forth) and leave to burn. Once mantle has been burned it is very fragile. Be careful not to touch it with your finger or with a match.



■ Replace the glass globe, ventilator and ball nut.



**Pumping**

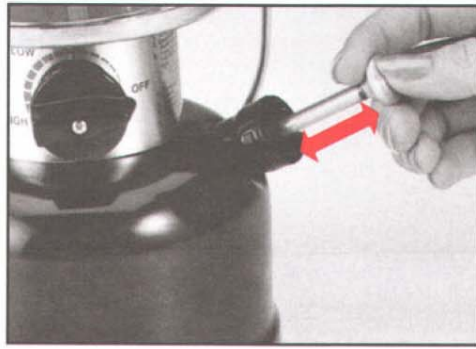
■ Be sure fuel valve is off and fuel cap is firmly closed.



■ Open pump knob by turning 1 full turn to the left.



■ Cover hole in pump knob with thumb and pump approximately 30 full strokes.

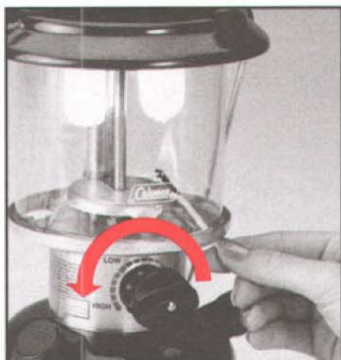


■ Close pump knob.



## Lighting the lantern

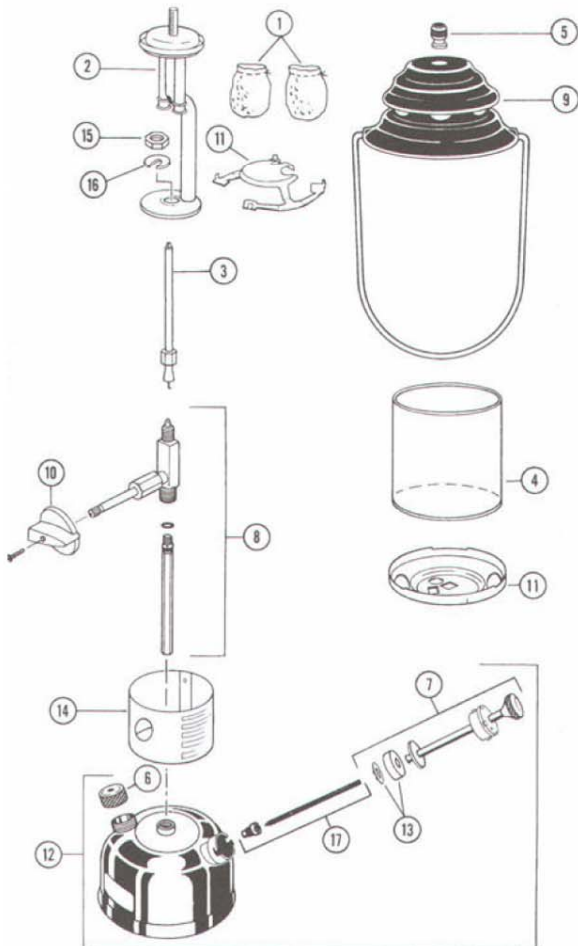
Always light and use your lantern outdoors; never in house, camper, tent or other unventilated or enclosed areas.  
 ■ Push a lit match through lighting hole and turn fuel valve to high. CAUTION: Flames other than at mantles indicate flooding or a leak. Turn FUEL VALVE OFF, allow flames to burn out and lantern to cool. Carefully review instructions and correct problem before relighting lantern.



■ Adjust fuel valve to desired brightness.  
 ■ To clean generator tip, turn fuel valve from high to off to high several times.

### To Turn Off

■ Turn the lantern off by turning fuel valve to "OFF". Light will dim and go out in 1-2 minutes.



## Parts List

No.	MODEL 290	MODEL 288	MODEL 286	Description
1	#21	#21	#21	Mantle
2	290B5341	288B5341	286B5341	Burner Assembly
3	290-5891	288-5891	288-5891	Generator
4	690A048C	R214A046C	R214A046C	Globe
5	220-4411	220-4411	220-4411	Ball Nut
6	220C1401	220C1401	220C1401	Fuel Cap
7	220A6201	220A6201	220A6201	Pump Repair Kit
8	290A6571	288A6571	286A6571	Valve Assembly (Includes Item #10)
9	290-5001	288-5001	288-5001	Ventilator & Bail
10	288C1501	288C1501	288C1501	Knob/Screw Package
11	290A5401	288A5401	286-5401	Heat Shield & Frame Bottom
12	290-6151	288-6151	286-6151	Fount Assembly
13	639-1091	639-1091	639-1091	Pump Cup & Nut
14	290B5291	288B5291	288B5291	Collar
15	288-1641	288-1641	288-1641	Nut
16	288-1251	288-1251	288-1251	U-Clip
17	200-6381	200-6381	200-6381	Check Valve & Air Stem