



exponent

Fyrestorm™ Ti
Fyrestorm™ SS

CSA B140.9.2
Portable Pressurized Type Liquid
Petroleum Fuelled Camp Stoves



Multi-Fuel Stove
Instructions for use

© 2006 The Coleman Company, Inc.
www.coleman.com



Models 9770 and 9775



Reflector disc and
windscreen not shown.

U.S. Pat. No. 5,370,527
Canada Pat. No. 2,089,804
and other patents pending.

IMPORTANT

Read this manual carefully before assembling, using or servicing these stoves. Keep this manual for future reference. If you have questions about assembly, operation, servicing or repair of these stoves, please call Coleman at 1-800-835-3278 or TDD: 316-832-8707. In Canada call 1-800-387-6161.

FOR YOUR SAFETY

If you smell gas:

1. Do not attempt to light appliance.
2. Extinguish any open flame.
3. Disconnect from fuel supply.

FOR YOUR SAFETY

Do not store or use gasoline or other liquids with flammable vapors in the vicinity of this or any other appliance.

! DANGER



CARBON MONOXIDE HAZARD

- This appliance can produce carbon monoxide which has no odor.
- Using it in an enclosed space can kill you.
- Never use this appliance in an enclosed space such as a camper, tent, car or home.

This manual contains important information about the assembly, operation and maintenance of this outdoor multi-fuel appliance. General safety information is presented on this page and is also located throughout these instructions. Particular attention should be paid to information accompanied by the safety alert symbol "▲DANGER", "▲WARNING", "▲CAUTION".

Keep this manual for future reference and to educate new users of this product. This manual should be read in conjunction with the labeling on the product.

Safety precautions are essential when any Coleman® fuel or LPG fueled equipment is involved. These precautions are necessary when using, storing, and servicing. Using this equipment with the respect and caution demanded will reduce the possibilities of personal injury or property damage.

The following symbols shown below are used extensively throughout these instructions. Always heed these precautions, as they are essential when using any Coleman® fuel or LPG fueled equipment.

! DANGER

DANGER indicates an imminently hazardous situation which, if not avoided, will result in death or serious injury.

! WARNING

WARNING indicates a potentially hazardous situation which, if not avoided, could result in death or serious injury.

! CAUTION

CAUTION indicates a potentially hazardous situation which, if not avoided, may result in minor or moderate personal injury, or property damage.

! DANGER

Failure to comply with the precautions and instructions provided with these stoves can result in death, serious bodily injury and property loss or damage from hazards of fire, explosion, burn, asphyxiation, and/or carbon monoxide poisoning.

Only persons who can understand and follow the instructions should use or service these stoves.

If you need assistance or information such as an instruction manual or labels, contact The Coleman Company, Inc.

CALIFORNIA PROPOSITION 65:

WARNING: This fuel, and byproducts of combustion of this fuel, contain chemicals known to the state of California to cause cancer, birth defects, or other reproductive harm.

⚠ WARNING

This multi-fuel appliance may be fueled by LPG, or Coleman® Liquid Fuel, or unleaded gasoline.

Warnings specific to LPG fuel:

- LPG is invisible, odorless, and flammable. An odorant is normally added to help detect leaks and can be described as a "rotten egg" smell. The odorant can fade over time so leaking gas is not always detectable by smell alone.
- LPG is heavier than air and leaking LPG will sink to the lowest level possible. It can ignite by ignition sources including matches, lighters, sparks or open flames of any kind many feet away from the original leak.
- Use only LPG set up for liquid withdrawal.
- LPG should be stored or used in compliance with local ordinances and codes or with ANSI/NFPA 58 and CAN/CGA B-149.2. Turn off LPG when not in use.

Warnings specific to Liquid fuel:

- Never use leaded automotive fuel.
- Do not use Canadian unleaded gasoline.
- Store fuel in a clean, properly marked container away from flame (including pilot lights), other sources of ignition, or excessive heat.

⚠ DANGER



• EXPLOSION - FIRE HAZARD

- During lighting and operation, this product can be a source of ignition. Never use the stove in spaces that contain or may contain volatile or airborne combustibles, or products such as gasoline, solvents, paint thinner, dust particles or unknown chemicals. Minimum clearances from combustible materials: 24 inches from the sides and 48 inches from the top.
- Provide adequate clearances around air openings into the combustion chamber.
- Never attempt to operate stove if any plastic tubing on the pump is missing or damaged.

⚠ DANGER



• EXPLOSION - FIRE HAZARD

Dangers specific to LPG fuel:

- Never store LPG (liquefied petroleum gas) near high heat, open flames, pilot lights, direct sunlight, other ignition sources or where temperatures exceed 120 degrees F (49°C).
- LPG is heavier than air and can accumulate in low places. If you smell gas, leave the area immediately.
- Never install or remove LPG canister while outdoor stove is lighted, near flame, pilot lights, other ignition sources or while outdoor stove is hot to touch.

⚠ DANGER



• EXPLOSION - FIRE HAZARD

Dangers specific to Liquid fuel:

- Coleman® fuel and gasoline are extremely flammable; handle with care. Fuel vapors are invisible, explosive, and can be ignited by ignition sources many feet away.
- Always fill outdoors.
- Never open a pressurized Coleman® fuel bottle or fill fuel bottle near flame (including pilot lights), or other ignition sources. It is normal for a pressurized fuel bottle to vent a small amount of fuel mist when unscrewing the bottle from the black pump. Be sure stove has no flame before opening fuel canister.
- Coleman® stove Models 9770/9775 are designed for use only with fuel bottles marked "Models 9770/9775". Never attempt to attach any other fuel bottle to these stoves. Never attempt to attach this fuel bottle to any other appliance. Fuel leakage and pump damage can result.

⚠ WARNING

Not for home or recreational vehicle use.

We cannot foresee every use which may be made of our products.

Check with your local fire safety authority if you have questions about use.

Other standards govern the use of fuel gases and heat producing products for specific uses.

Your local authorities can advise you about these.

- Never refill disposable LPG canisters.
- Use only Coleman® accessories or parts. During stove set-up, check all fittings for leaks using soapy water. Never use a flame.

⚠ WARNING



• BURN HAZARD

- Never leave stove unattended when hot or in use.
- Keep out of reach of children.

⚠ DANGER



• CARBON MONOXIDE HAZARD

- This stove is a combustion appliance. All combustion appliances produce carbon monoxide (CO) during the combustion process. This product is designed to produce extremely minute, non-hazardous amounts of CO if used and maintained in accordance with all warnings and instructions. Do not block air flow into or out of the stove.
- Carbon Monoxide (CO) poisoning produces flu-like symptoms, watery eyes, headaches, dizziness, fatigue and possibly death. You can't see it and you can't smell it. It's an invisible killer. If these symptoms are present during operation of this product **get fresh air immediately!**
- For outdoor use only.
- Never use inside house, camper, tent, vehicle or other unventilated or enclosed areas. This stove consumes air (oxygen). Do not use in unventilated or enclosed areas to avoid endangering your life.

⚠ CAUTION

• SERVICE SAFETY

- Keep all connections and fittings clean. Inspect LPG canister, Coleman® fuel canister, hoses, and stove connections for damage before attaching.
- During LPG set up, check all connections and fittings for leaks in one or more ways: **Look** for a fuel mist or a wet appearance of fuel on surfaces. **Listen** for hiss of escaping gas. **Smell** for fuel odor. Never use a flame. **Do not use if leaking.** Check that the connection is not cross-threaded and that it is tight. Perform another leak check. If there is still a leak, remove the canister and contact Coleman for service or repairs.
- Use as a cooking appliance only. Never alter in any way or use with any device or part not expressly approved by Coleman.
- Clean stove frequently to avoid grease accumulation and possible grease fires.
- During Coleman® fuel set-up, check all connections for leaks. **Liquid Coleman® fuel present at connections indicates a leak.**

Technical Characteristics

Input: 10,000 BTU/HR Coleman® fuel or unleaded gasoline.

Input: 14,000 BTU/HR LPG

Category: Direct pressure multi-fuel stove

Fuel: Coleman® fuel, unleaded gasoline, or LPG (Coleman® 3250 Butane/Propane Mix).

⚠ WARNING

1. Coleman® Fuel is extremely flammable, handle with extreme care. Fuel vapors are invisible, explosive, and can be ignited by ignition sources many feet away.
2. Always fill outdoors. Never open or fill fuel bottle near flame (including pilot lights), or other ignition sources. It is normal for a pressurized fuel bottle to vent a small amount of fuel mist when unscrewing the bottle from the black pump assembly.
3. Always light and use stove outdoors; never inside house, camper, tent, or other unventilated or enclosed areas.
4. **This stove consumes air (oxygen). Do not use in unventilated or enclosed areas to avoid endangering your life.**
5. When manufactured, this stove is ready to be used with Coleman® Fuel, unleaded gasoline, or LPG. Be sure you know the type of fuel in the fuel bottle before lighting.
6. This stove is designed to use Coleman® Fuel, unleaded gasoline, or LPG set up for liquid withdrawal.
7. Store fuel in a clean, properly marked container away from flame (including pilot lights), other sources of ignition, or excessive heat.
8. Use for cooking only. Never alter in any way or use with any device or part not expressly approved by Coleman. Never use as a space heater. Never leave stove unattended while burning.
9. Keep stove away from flammables. Never allow fabric, clothing, or any flammable material come within 48 inches of the top and 24 inches of all sides of the stove.
10. When stove is in use, all metal parts of the stove assembly and generator become extremely hot. **DO NOT TOUCH.**
11. Never place heavy or large capacity utensils on stove. (Maximum weight — 10 lbs.; maximum pot diameter — 6".)
12. When using Coleman® fuel, never attempt to operate stove if any plastic tubing on the black pump assembly is out of place, missing or damaged.
13. Keep out of reach of children.

1 Becoming Familiar with your Coleman® Stove

Thank you for purchasing your new Coleman® multi-fuel stove. This stove is a high performance multi-fuel cooking appliance. Operation and control of liquid fuel is different than LPG. We recommend operating your new stove in a safe location outside your home to familiarize yourself with its multi-fuel operation before your next outdoor experience.

Helpful Hints

- Consider carrying your spare parts and tools for stove servicing.
- Using the windscreen and reflective disk will usually decrease your water boiling times.
- Liquid Coleman® fuel is recommended when using the stove in temperatures below 40° F or in high elevation.
- For best results, always use Coleman® Filter/Funnel Part No. 814-515T.
- If necessary, unleaded gasoline may be substituted for liquid Coleman® fuel.
- Do not use kerosene in this stove.
- When using LPG, use only Coleman® 3250 Butane/Propane fuel.

■ When lighting and using your Coleman® stove with liquid fuel, this manual refers to this illustration to identify the different types of flames:

HIGH FLAME - Yellow (Turn off stove)

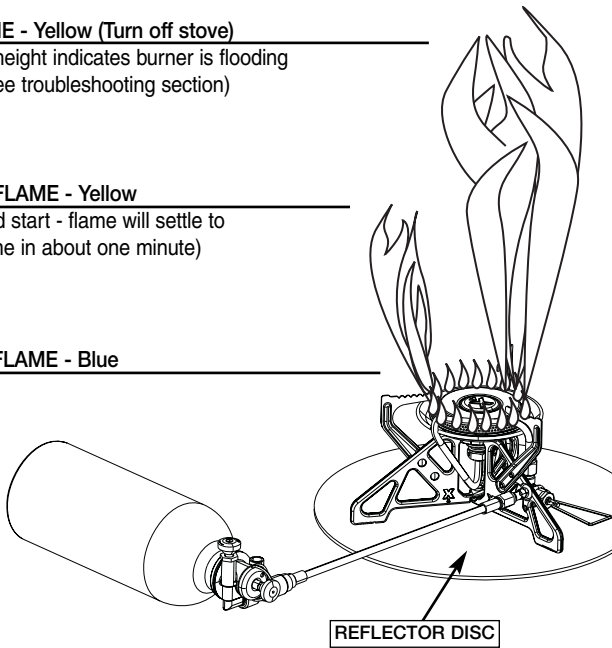
(Excessive height indicates burner is flooding with fuel - see troubleshooting section)

START-UP FLAME - Yellow

(Normal cold start - flame will settle to cooking flame in about one minute)

COOKING FLAME - Blue

(Normal)



CAUTION

Always place the stove on the reflector disc during setup and use. The disc must be used to help protect combustible surfaces from excess heat and cooking splatter.

HELPFUL HINT:

A windscreen is provided with your stove to improve performance in windy conditions. See **Section 15** for additional information concerning setup and use of the reflector disc and windscreen.

USING STOVE WITH COLEMAN® FUEL BOTTLE

2 Identification (Coleman® Fuel Bottle)

READ AND FOLLOW ADDITIONAL INSTRUCTIONS ON THE FUEL BOTTLE.

NOTE: The reflector disc and windscreen are not illustrated in the set up instructions. This is so the features of the stove may be clearly visible and identified. Read about the reflector disc and windscreen in **Sections 1 and 15.**

⚠ DANGER



• CARBON MONOXIDE HAZARD

- For outdoor use only.
- Never use inside house, camper, tent, vehicle or other unventilated or enclosed areas. This stove consumes air (oxygen). Do not use in unventilated or enclosed areas to avoid endangering your life.

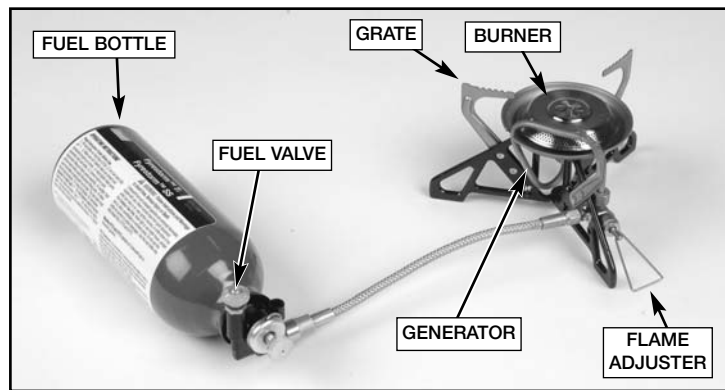
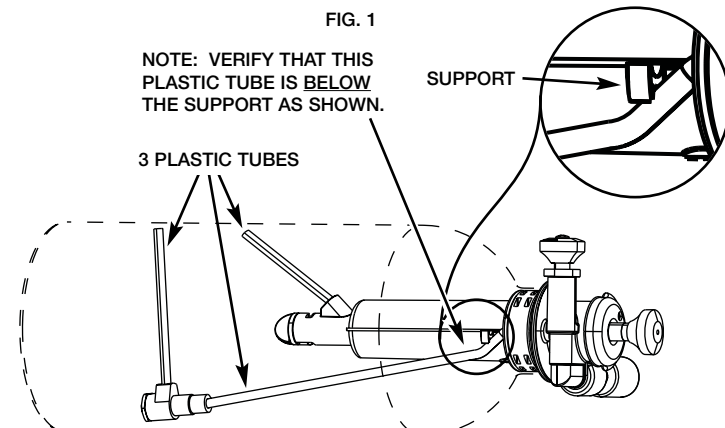


FIG. 1

NOTE: VERIFY THAT THIS PLASTIC TUBE IS BELOW THE SUPPORT AS SHOWN.

SUPPORT

3 PLASTIC TUBES



FOR PROPER OPERATION MAKE SURE ALL 3 PLASTIC TUBES ARE PRESENT AND POSITIONED AS SHOWN.

FIG. 2

English-5

3 Stove Set Up

NOTE: The reflector disc and windscreen are not illustrated in the set up instructions. This is so the features of the stove may be clearly visible and identified. Read about the reflector disc and windscreen in **Sections 1 and 15**.

- Unfold stove legs to detent stops and place on reflector disc. (Fig. 3, 4, and 5)



FIG. 3



FIG. 4



FIG. 5

4 To Fill Tank (Coleman® Fuel Bottle)

NEVER FILL OR LIGHT STOVE INSIDE HOUSE, CAMPER, OR TENT.

- Unscrew bottle from black pump assembly (Fig. 6 and 7).



FIG. 6



FIG. 7

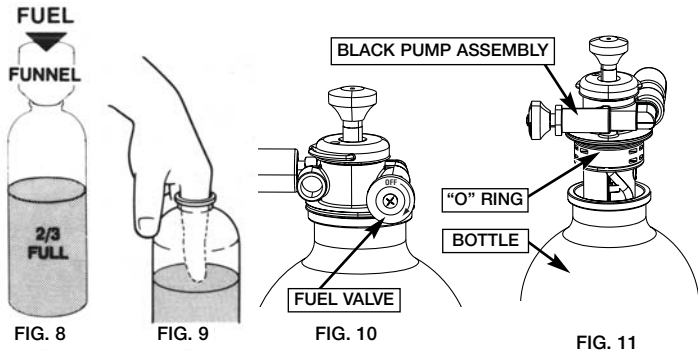
- Use a funnel or suitable filling device and fill with clean, fresh Coleman® fuel.

- Fill bottle no more than 2/3 full (16 Fl. Oz.). Overfilling can result in fuel leakage and flare up during lighting. Your index finger can be used to check the fuel level. Insert index finger into fuel bottle as shown in Figure 9. If finger touches fuel, the bottle is too full. Pour out small amount of fuel until bottle is at the proper level. (Fig. 8)

- Make sure FUEL VALVE is fully "OFF" (Fig. 10)

- Check "O" Ring for damage and carefully insert black pump assembly into fuel bottle and hand tighten. (Fig. 11)

- Replace FUEL CAP on fuel container. Tighten firmly. Move fuel container away from stove. WIPE UP ANY SPILLED FUEL AND DISPOSE OF IN A SAFE PLACE.



5 To Pump (Coleman® Fuel Bottle)

- Make sure **FUEL VALVE** is fully "OFF" ↻ (Fig 12).
- Connect hose to threaded fitting on fuel bottle, making sure the bottle is lying on its side with the fuel valve up. Hand tighten the connection (Fig. 13).
- Place thumb over hole in **PUMP KNOB** and pump approximately 40 full strokes (Fig 14). Adequate air pressure is important, do not over pump.

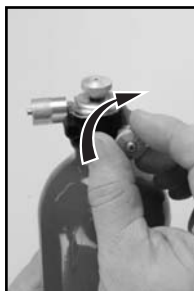


FIG. 12



FIG. 13



FIG. 14

6 Leak Check (Coleman® Fuel Bottle)

⚠ WARNING

- Perform leak test outdoors.
- Extinguish all open flames.
- NEVER leak test when smoking.
- Do not use the outdoor stove until connection has been leak tested and does not leak.

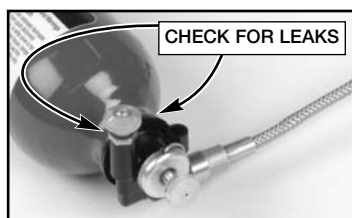
⚠ WARNING



• BURN HAZARD

- Never leave stove unattended when hot or in use.
- Keep out of reach of children.

- Make sure **FUEL VALVE** is fully "OFF" ↻ .
- **CHECK FOR LEAKS** in one or more ways: **Look** for a fuel mist or a wet appearance of fuel on surfaces. **Listen** for hiss of escaping gas. **Smell** for fuel odor. Never use a flame. **Do not use if leaking.**



Liquid Fuel Canister

FIG. 15

English-7

7 To Light (Coleman® Fuel Bottle)

NEVER FILL OR LIGHT STOVE INSIDE HOUSE, CAMPER, OR TENT.

- Make sure fuel bottle is lying level on its side with the FUEL VALVE up (Fig. 16).
- Turn flame adjuster back and forth several times to clean generator tip (Fig. 19).
- Turn flame adjuster to “High/Light” (Fig. 17).
- Hold lighted match at burner and then open fuel valve (Fig. 16 and 18).
- **CAUTION:** If stove burns with a high yellow flame or if liquid fuel appears in the burner, immediately turn FUEL VALVE “OFF”. Allow stove to cool. Carefully review the troubleshooting section before relighting stove.
- After generator warms up (approx. 1 minute), pump an additional 40 strokes. Flame may be adjusted to desired heat with FLAME ADJUSTER. Periodically turn flame adjuster back and forth several times to clean generator tip. (Fig. 19)
- Pump as required to maintain flame height.

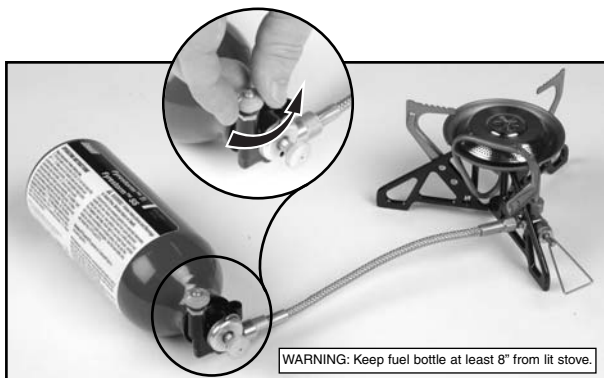


FIG. 16

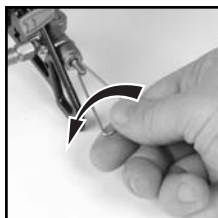


FIG. 17



FIG. 18

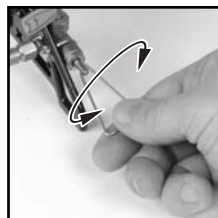
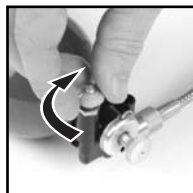


FIG. 19

8 To Turn Off

- Turn FUEL VALVE fully “OFF” (Fig. 20)
- Be sure flame is extinguished. Flame will linger on burner for 1-2 minutes after fuel valve is “OFF”.



FUEL VALVE

FIG. 20

⚠ WARNING

- Always turn fuel valve off before removing hose. Never remove hose from burner near ignition sources, while stove is lit, or hot to touch.

USING STOVE WITH COLEMAN® LPG CANISTER

9 Identification (LPG Canister)

**READ AND FOLLOW
ADDITIONAL
INSTRUCTIONS ON
THE CANISTER
SUPPORT.**

NOTE: The reflector disc and windscreen are not illustrated in the set up instructions. This is so the features of the stove may be clearly visible and identified. Read about the reflector disc and windscreen in **Sections 1 and 15.**

NOTE: Use only Coleman® 3250 Butane/Propane Fuel.

⚠ DANGER



• CARBON MONOXIDE HAZARD

- For outdoor use only.
- Never use inside house, camper, tent, vehicle or other unventilated or enclosed areas. This stove consumes air (oxygen). Do not use in unventilated or enclosed areas to avoid endangering your life.

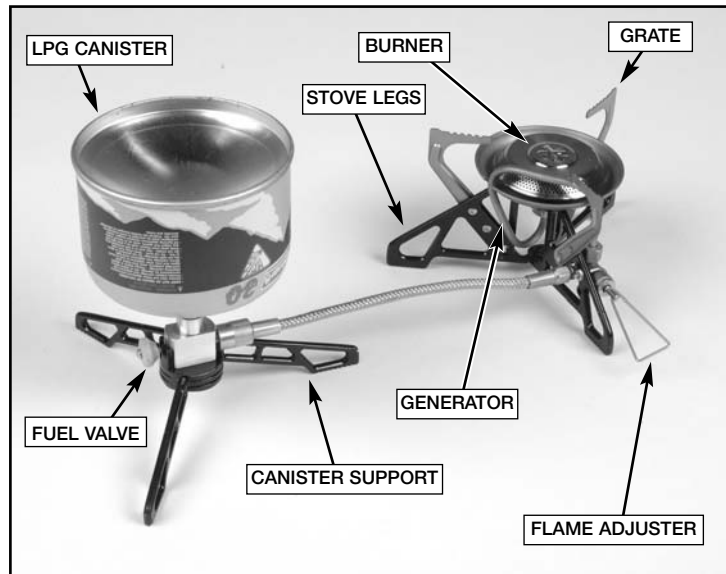


FIG. 21

10 Stove Set Up

■ Unfold stove legs to detent stops and place on reflector disc. (Fig. 22, 23, and 24)



FIG. 22



FIG. 23



FIG. 24

11 Set Up (LPG Canister)

- Unfold canister support legs to detent stops (Fig. 25, 26, and 27)



FIG. 25



FIG. 26



FIG. 27

- Make sure that the **FUEL VALVE** on the canister support is fully closed (turned fully clockwise) ↻ (Fig. 28).
- Screw LPG canister onto canister support until fully seated (Fig. 29).
- Insert threaded fitting on end of stove fuel hose into the female threaded coupler on the canister support (Fig. 30). Hand tighten the connection.

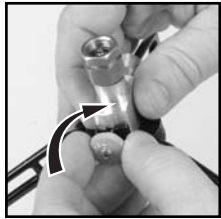


FIG. 28



FIG. 29



FIG. 30

- Ensure that canister support is as far away (about 8") from stove burner as the hose length will permit (Fig. 31).



FIG. 31

12 Leak Check (LPG Canister)

⚠ WARNING

- Perform leak test outdoors.
- Extinguish all open flames.
- NEVER leak test when smoking.
- Do not use the outdoor stove until connection has been leak tested and does not leak.

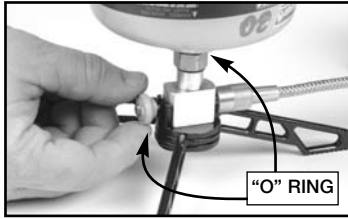
⚠ WARNING



• BURN HAZARD

- Never leave stove unattended when hot or in use.
- Keep out of reach of children.

- Make sure FUEL VALVE is fully "OFF" ↻.
- CHECK FOR LEAKS in one or more ways: Apply soapy water to "O" Ring connections as indicated (Fig. 32). **Look** for bubbles, wet connections, or fuel mist. **Listen** for hiss of escaping gas. **Feel** for extreme cold. **Smell** for rotten egg odor. Never use a flame. **Do not use if leaking.**



LPG Canister

FIG. 32

13 To Light (LPG)

NEVER FILL OR LIGHT STOVE INSIDE HOUSE, CAMPER, OR TENT.

- Make sure LPG canister is properly supported by the canister support (Fig. 33).

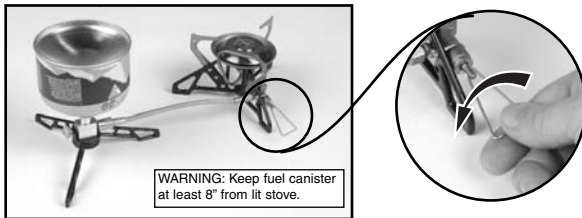


FIG. 33

- Turn flame adjuster to "High/Light" ↻ (Fig. 33).
- Hold lighted match at burner and then open fuel valve ↻ (Fig. 34 and 35).
- **CAUTION:** If stove burns with a high yellow flame, immediately turn FUEL VALVE "OFF." Allow stove to cool. Carefully review the troubleshooting section before relighting stove.
- Flame may be adjusted to desired heat with FLAME ADJUSTER (Fig. 36).



FIG. 34

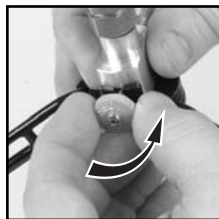


FIG. 35

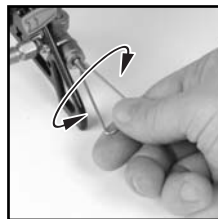


FIG. 36

⚠ DANGER

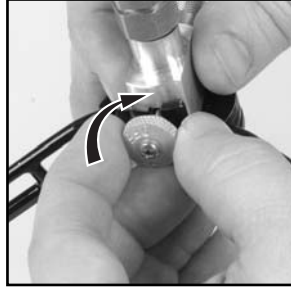


• EXPLOSION - FIRE HAZARD

- LPG is heavier than air and can accumulate in low places. If you smell gas, leave the area immediately.
- Always attach or detach fuel canisters outdoors; never while stove is lighted, near flame, pilot lights, other ignition sources or while stove is hot to touch.
- This stove is very hot during use and can ignite flammables too close to the burners. Keep flammables at least 24 inches from the sides and 48 inches from the top of the stove. Keep gasoline and other flammable liquids and vapors well away from stove.
- The stove must not be exposed to flammable vapors or liquids during lighting.

14 To Turn Off (LPG Canister)

- Turn FUEL VALVE fully "OFF" (Fig. 37).
- Flame will linger on burner for 1-2 minutes after fuel valve is "OFF".



FUEL VALVE
FIG. 37

⚠ WARNING

- Always turn fuel valve off before removing hose. Never remove hose from burner near ignition sources, while stove is lit, or hot to touch.

15 Using the Reflector Disc and Windscreen

⚠ CAUTION

Always place the stove on the reflector disc during setup and use. The disc must be used to help protect combustible surfaces from excess heat and cooking splatter.

- Always place the stove on the reflector disc during setup and use.
- To improve stove performance in windy conditions, unfold the windscreen and place it around the stove. Fold the ends together. Place the windscreen so that the notched end is down and allows access to the flame adjuster (Fig. 38 and 39).
- Roll or gently fold the windscreen for storage.

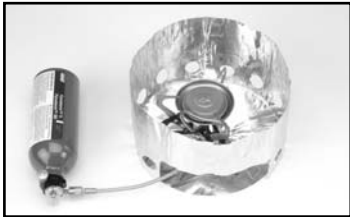


FIG. 38



FIG. 39

16 To Store

- Make sure stove is cool.
- Move stove away from flame (including pilot lights) and other ignition sources.
- If using the fuel bottle, disconnect the fuel hose at the threaded fitting attached to the fuel bottle.
- If using an LPG canister, disconnect the fuel hose at the threaded fitting attached to the canister support and then remove the LPG canister from the canister support.
- Replace the protective caps onto the threaded fittings.
- The stove may be folded for compact storage (Fig. 40).

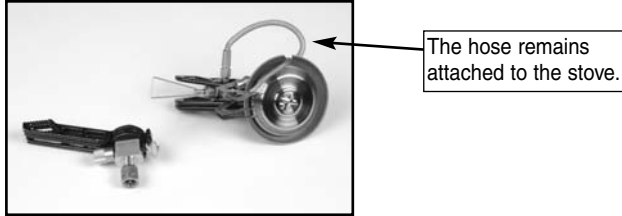


FIG. 40

• MAINTENANCE

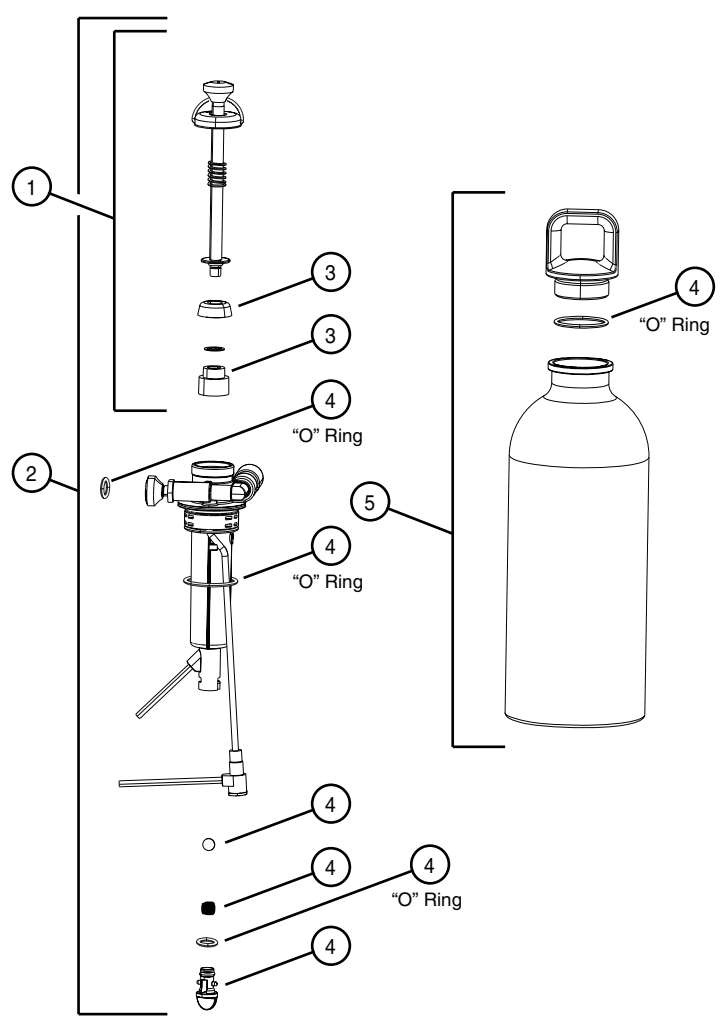
- Keep stove area clear and free from combustible materials, gasoline and other flammable vapors and liquids.
- Do not obstruct the flow of combustion and ventilation air.
- A good flame should be blue with minimal yellow tip. Some yellow tips on flames are acceptable as long as no carbon or soot deposits appear.
- Wipe clean with soft cloth and mild dish detergent. Do not use abrasives.

17 Troubleshooting

Symptom	Problem	Solution
Burner will not light or flame self-extinguished.	Fuel bottle empty.	Refill fuel bottle 2/3 full with clean and fresh Coleman® fuel or unleaded fuel.
Burner will not light or flame is low or flame self-extinguished.	Little or no pressure in fuel bottle.	Check connections for leaks and pump 40 strokes.
Yellow flame.	Excess fuel in burner.	A yellow flame is normal until the generator warms up. If yellow flame persists, turn off stove, allow flame to self-extinguish and the stove to cool. If necessary, invert stove to remove excess liquid fuel from the burner. Follow lighting instructions.
Low heat.	Generator tip plugged.	Turn flame adjuster back and forth several times to clean generator tip. Be sure to use only fresh and clean fuel.
Low heat.	Faulty generator.	Replace with a new generator. This is a normal periodic maintenance procedure. The generator life is dependent on the type of fuel used. Generator life is extended by using clean Coleman® fuel.
Persistent small yellow flame.	Faulty generator.	Replace with a new generator.
Persistent high yellow flame.	Failure in the fuel delivery system.	May need to replace pump assembly. Please contact Consumer Service (see page 18).
Intermittent short blue flame and rapid loss of pressure.	Failure in the fuel delivery system.	May need to replace pump assembly. Please contact Consumer Service (see page 18).
Yellow smokey flame.	Spider webs, insects, or other obstruction in the burner and air tube.	Remove burner to inspect and clean the burner and air tube.
Pump does not pressurize the liquid fuel canister.	Pump seals are dry or worn.	Squirt a few drops of oil in the OIL HOLE in the pump cap. This will keep the pump functioning properly (Fig. 41). If this does not correct the problem, replace the pump seals or purchase a new pump assembly.
Intermittent yellow flame.	Stove has been operated for an extended period of time at a low heat setting.	Adjust the flame to a higher setting with the FLAME ADJUSTER.

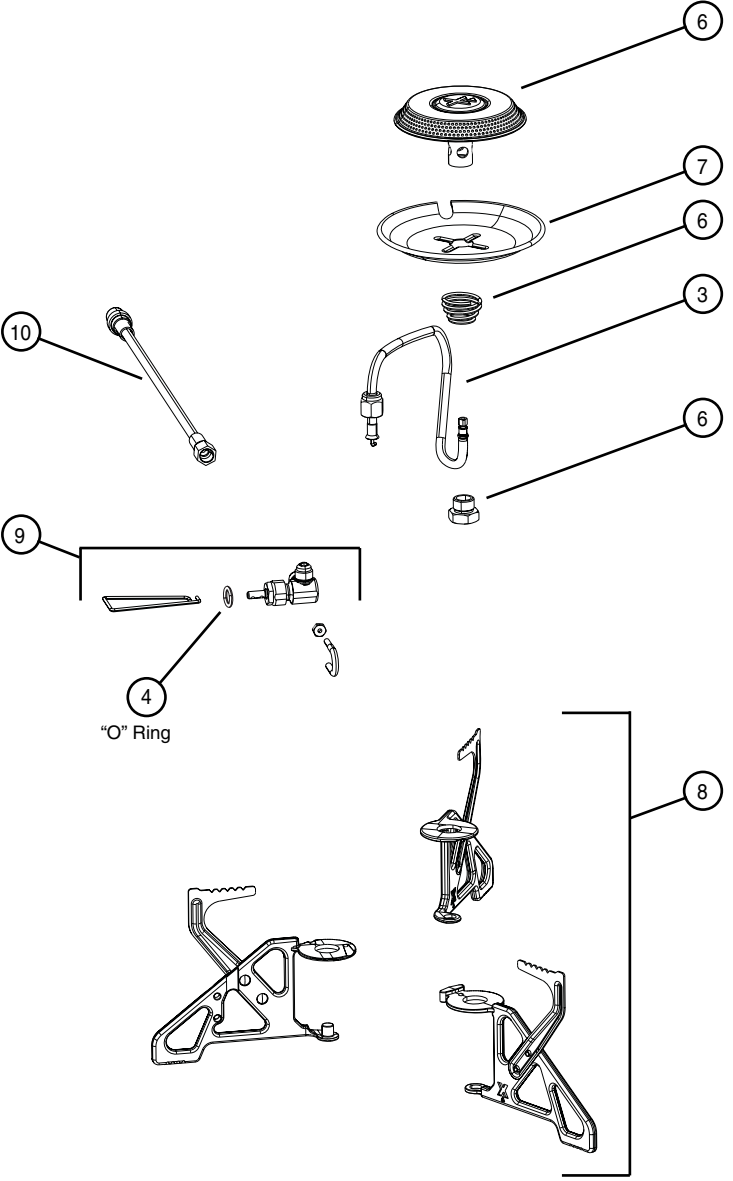
Replacement Parts List

Item	Part No.	Description
1	9770-5051	Plunger Assembly
2	9770-5551	Pump and Valve Assembly
3	R9770-501	Stove Maintenance Kit (includes one item on the next page)
4	9770-5611	Service Parts Kit (includes several items on the next two pages)
5	9770-5081	Fuel Bottle Assembly (22 fl. oz. capacity)



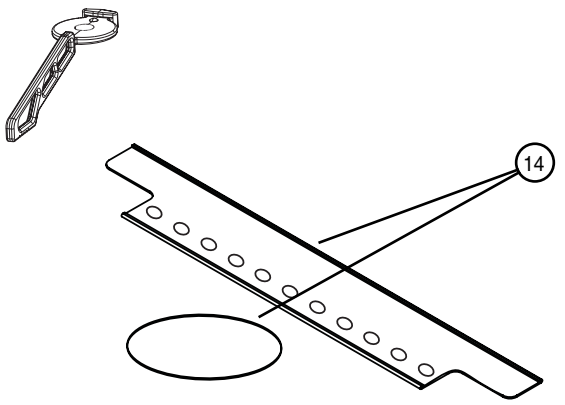
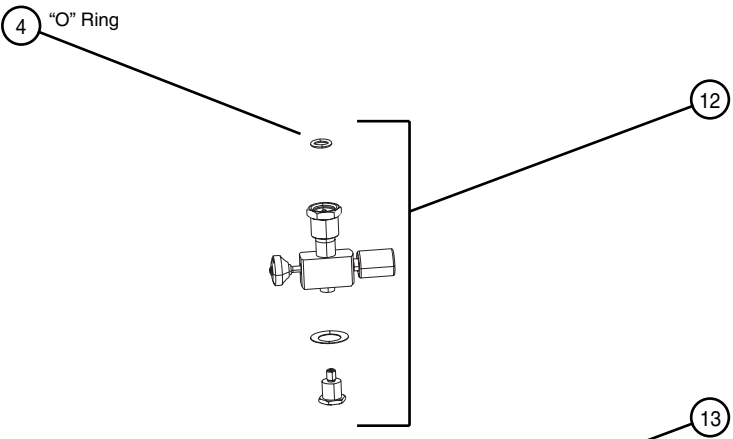
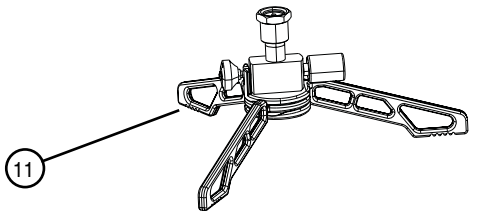
Replacement Parts List

Item	Part No.	Description
6	9770-5161	Burner Assembly (Titanium)
	9775-5161	Burner Assembly (Stainless Steel)
7	9770-3021	Shield (Titanium)
	9775-3021	Shield (Stainless Steel)
8	9770-6201	Stove Leg Kit (3 pk) (model 9770)
	9775-6201	Stove Leg Kit (3 pk) (model 9775)
9	9770-5021	Valve Assembly
10	9770-5151	Hose Assembly with Cap



Replacement Parts List

Item	Part No.	Description
11	9770-5361	LPG Canister Support Assembly (complete) (Model 9770)
	9775-5361	LPG Canister Support Assembly (complete) (Model 9775)
12	9770-5181	Adapter Valve Assembly with Caps
13	9770-5271	Leg Kit (3 pk) (Model 9770)
	9775-5271	Leg Kit (3 pk) (Model 9775)
14	R9770-120	Windscreen and Reflector Disc



Limited Five Year Warranty

The Coleman Company, Inc. ("Coleman") warrants that for a period of five years from the date of original retail purchase, this product will be free from defects in material and workmanship. Coleman, at its option, will repair or replace this product or any component of the product found to be defective during the warranty period. Replacement will be made with a new or remanufactured product or component. If the product is no longer available, replacement may be made with a similar product of equal or greater value. This is your exclusive warranty.

This warranty is valid for the original retail purchaser from the date of initial retail purchase and is not transferable. Keep the original sales receipt. Proof of purchase is required to obtain warranty performance. Coleman dealers, service centers, or retail stores selling Coleman® products do not have the right to alter, modify or in any way change the terms and conditions of this warranty.

What This Warranty Does Not Cover

This warranty does not cover normal wear of parts, parts that are not genuine Coleman® parts, or damage resulting from any of the following: negligent use or misuse of the product; use on improper voltage or current; commercial use of the product; use contrary to the operating instructions; disassembly, repair or alteration by anyone other than Coleman or an authorized service center. Further, the warranty does not cover Acts of God, such as fire, flood, hurricanes and tornadoes. Warranty void if damage to product results from the use of a part other than a genuine Coleman® part.

COLEMAN SHALL NOT BE LIABLE FOR DEFECTS THAT ARE CAUSED BY THE USE OF UNAUTHORIZED PARTS OR SERVICE. COLEMAN SHALL NOT BE LIABLE FOR ANY INCIDENTAL OR CONSEQUENTIAL DAMAGES CAUSED BY THE BREACH OF ANY EXPRESS OR IMPLIED WARRANTY OR CONDITIONS. EXCEPT TO THE EXTENT PROHIBITED BY APPLICABLE LAW, ANY IMPLIED WARRANTY OF MERCHANTABILITY OR FITNESS FOR A PARTICULAR PURPOSE IS LIMITED IN DURATION TO THE DURATION OF THE ABOVE WARRANTY OR CONDITIONS. SOME STATES, PROVINCES, OR JURISDICTIONS DO NOT ALLOW THE EXCLUSION OR LIMITATION OF INCIDENTAL OR CONSEQUENTIAL DAMAGES OR LIMITATIONS ON HOW LONG AN IMPLIED WARRANTY LASTS, SO THE ABOVE LIMITATIONS OR EXCLUSION MAY NOT APPLY TO YOU. THIS WARRANTY GIVES YOU SPECIFIC LEGAL RIGHTS, AND YOU MAY ALSO HAVE OTHER RIGHTS THAT VARY FROM STATE TO STATE OR PROVINCE TO PROVINCE.

How to Obtain Warranty Service

Take the product to an authorized Coleman service center. You can find the nearest authorized Coleman service center by visiting www.coleman.com or calling 1-800-835-3278 or TDD 316-832-8707 in the United States or 1 800 387-6161 in Canada. If a service center is not conveniently located, attach to the product a tag that includes your name, address, daytime telephone number and description of the problem. Include a copy of the original sales receipt. Carefully package the product and send either by **courier** or **insured mail** with shipping and **insurance** prepaid to:

For products purchased in the United States:
The Coleman Company, Inc.
3600 North Hydraulic
Wichita, KS 67219

For products purchased in Canada:
Sunbeam Corporation (Canada) Limited
DBA Jarden Consumer Solutions
5975 Falbourn Street
Mississauga, Ontario
Canada L5R 3V8

The costs of transporting the product to Coleman or an authorized service center for warranty service is the responsibility of the purchaser.

Do not mail products with fuel in tanks, or with disposable LPG canisters. Remove glass globes from lanterns and wrap separately.

DO NOT RETURN THIS PRODUCT TO THE PLACE OF PURCHASE.

If you have any questions regarding this warranty please call 1-800-835-3278 or TDD 316-832-8707 in the United States or 1 800 387-6161 in Canada.

1. It is unsafe and illegal in some places to store or use LPG canisters of greater than 1.14 kg (2.5 lbs) water capacity (approximately 465 g [1 lb.] LPG) in occupied enclosures.
 2. It is not unusual for the stove to produce a slight pulsating or "chugging" noise during operation.
 3. During operation for an extended period at a low heat setting, you may notice an intermittent yellow flame. This can be corrected by adjusting the flame to a slightly higher level with the **FLAME ADJUSTER**.
 4. Seasonally or before storage, squirt a few drops of oil into the **OIL HOLE** in the pump cap. This will keep the pump functioning properly. (Fig. 41)
 5. The flame adjuster moves a small needle in and out of the generator gas tip. If stove is hard to light or does not produce full heat output, turn flame adjuster back and forth several times to clean generator.
 6. Unleaded fuels may vary in quality and can affect generator life and performance. If you are having a problem with your stove or generator using unleaded fuel, replace the generator and try a different brand of unleaded fuel. Canadian unleaded gasoline, unlike U.S. produced fuels, contain manganese compounds that are unacceptable to both generator performance and reliability.
 7. The usual storage areas for camping and picnic equipment are the basement, attic, or garage. To avoid the accumulation of dust, cobwebs, etc., that is common in these areas, place your stove in a plastic bag and seal it with a rubber band.
 8. For repair service call one of the numbers listed below for location of your nearest Coleman Service Center. If stove must be mailed to a Service Center, attach to the product a tag that includes your name, address, daytime telephone number and a description of problem. Do NOT send LPG canister. Carefully package the product and send either by **courier** or **insured mail** with shipping and **insurance** prepaid to:
- For products purchased in the United States:**
The Coleman Company, Inc.
3600 N. Hydraulic • Wichita, KS 67219 U.S.A.
1-800-835-3278 • TDD: 316-832-8707
- For products purchased in Canada:**
Sunbeam Corporation (Canada) Limited
DBA Jarden Consumer Solutions
5975 Falbourn Street
Mississauga, ON, Canada L5R 3V8
1-800-387-6161
9. If not completely satisfied with the performance of this product, please call one of the numbers listed above.





FIG. 41




The Coleman Company, Inc. • 3600 N. Hydraulic • Wichita, KS 67219 U.S.A.
1-800-835-3278 • TDD: 316-832-8707

Sunbeam Corporation (Canada) Limited • DBA Jarden Consumer Solutions
5975 Falbourne Street
Mississauga, Ontario, Canada L5R 3V8 • 1 800 387-6161

© 2006 The Coleman Company, Inc. All rights reserved. Coleman®, Exponent®, and  are registered trademarks and Fyrestorm™ is a trademark of The Coleman Company, Inc.

© 2006 The Coleman Company, Inc. Tous droits réservés. Coleman®, Exponent®, et  sont des marques déposées alors que Fyrestorm™ est une marque de commerce de The Coleman Company, Inc.

© 2006 The Coleman Company, Inc. Todos los derechos reservados. Coleman®, Exponent®, y  son marcas registradas y Fyrestorm™ es una marca de la compañía The Coleman Company, Inc.

www.coleman.com