

This Owner's Manual is provided and hosted by [Appliance Factory Parts](#).



Coleman 9790-A25 Owner's Manual

[Shop genuine replacement parts for Coleman 9790-A25](#)



[Find Your Coleman Camping Parts - Select From 855 Models](#)

----- Manual continues below -----



exponent[®]

Denali[™]

CSA B140.9.2
Portable Pressurized Type Liquid
Petroleum Fuelled Camp Stoves

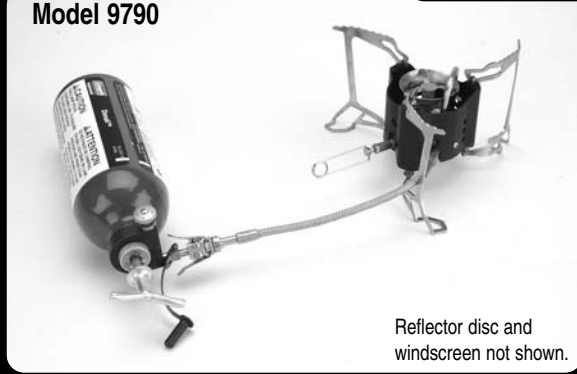


**Multi-Fuel Stove
Instructions for use**

© 2007 The Coleman Company, Inc.
www.coleman.com



Model 9790



Reflector disc and
windscreen not shown.

U.S. Pat. No. 5,370,527
Canada Pat. No. 2,089,804
and other patents pending.

IMPORTANT

Read this manual carefully before assembling, using or servicing these stoves. Keep this manual for future reference. If you have questions about assembly, operation, servicing or repair of these stoves, please call Coleman at 1-800-835-3278 or TDD: 316-832-8707. In Canada call 1-800-387-6161.

FOR YOUR SAFETY

If you smell gas:

1. Do not attempt to light appliance.
2. Extinguish any open flame.
3. Disconnect from fuel supply.

FOR YOUR SAFETY

Do not store or use gasoline or other liquids with flammable vapors in the vicinity of this or any other appliance.

⚠ DANGER



CARBON MONOXIDE HAZARD

- This appliance can produce carbon monoxide which has no odor.
- Using it in an enclosed space can kill you.
- Never use this appliance in an enclosed space such as a camper, tent, car or home.

This manual contains important information about the assembly, operation and maintenance of this outdoor multi-fuel appliance. General safety information is presented on this page and is also located throughout these instructions. Particular attention should be paid to information accompanied by the safety alert symbol "⚠ DANGER", "⚠ WARNING", "⚠ CAUTION".

Keep this manual for future reference and to educate new users of this product. This manual should be read in conjunction with the labeling on the product.

Safety precautions are essential when any Coleman® fuel or LPG fueled equipment is involved. These precautions are necessary when using, storing, and servicing. Using this equipment with the respect and caution demanded will reduce the possibilities of personal injury or property damage.

The following symbols shown below are used extensively throughout these instructions. Always heed these precautions, as they are essential when using any Coleman® fuel or LPG fueled equipment.

⚠ DANGER

DANGER indicates an imminently hazardous situation which, if not avoided, will result in death or serious injury.

⚠ WARNING

WARNING indicates a potentially hazardous situation which, if not avoided, could result in death or serious injury.

⚠ CAUTION

CAUTION indicates a potentially hazardous situation which, if not avoided, may result in minor or moderate personal injury, or property damage.

⚠ DANGER

Failure to comply with the precautions and instructions provided with these stoves can result in death, serious bodily injury and property loss or damage from hazards of fire, explosion, burn, asphyxiation, and/or carbon monoxide poisoning.

Only persons who can understand and follow the instructions should use or service these stoves.

If you need assistance or information such as an instruction manual or labels, contact The Coleman Company, Inc.

CALIFORNIA PROPOSITION 65:

WARNING: This fuel, and byproducts of combustion of this fuel, contain chemicals known to the state of California to cause cancer, birth defects, or other reproductive harm.

WARNING

This multi-fuel appliance may be fueled by LPG, or Coleman® Liquid Fuel, or unleaded gasoline, or kerosene.

Warnings specific to LPG fuel:

- LPG is invisible, odorless, and flammable. An odorant is normally added to help detect leaks and can be described as a "rotten egg" smell. The odorant can fade over time so leaking gas is not always detectable by smell alone.
- LPG is heavier than air and leaking LPG will sink to the lowest level possible. It can ignite by ignition sources including matches, lighters, sparks or open flames of any kind many feet away from the original leak.
- Use only LPG set up for liquid withdrawal.
- LPG should be stored or used in compliance with local ordinances and codes or with ANSI/NFPA 58 and CAN/CGA B-149.2. Turn off LPG when not in use.

Warnings specific to Liquid fuel:

- Never use leaded automotive fuel.
- Do not use Canadian unleaded gasoline.
- Store fuel in a clean, properly marked container away from flame (including pilot lights), other sources of ignition, or excessive heat.

DANGER



• EXPLOSION - FIRE HAZARD

Dangers specific to Liquid fuel:

- Coleman® fuel and gasoline are extremely flammable; handle with care. Fuel vapors are invisible, explosive, and can be ignited by ignition sources many feet away.
- Always fill outdoors.
- Never open a pressurized Coleman® fuel bottle or fill fuel bottle near flame (including pilot lights), or other ignition sources. It is normal for a pressurized fuel bottle to vent a small amount of fuel mist when unscrewing the bottle from the black pump. Be sure stove has no flame before opening fuel canister.
- Coleman® stove Model 9790 is designed for use only with fuel bottles marked "Model 9790". Never attempt to attach any other fuel bottle to these stoves. Never attempt to attach this fuel bottle to any other appliance. Fuel leakage and pump damage can result.

WARNING

Not for home or recreational vehicle use.

We cannot foresee every use which may be made of our products.

Check with your local fire safety authority if you have questions about use.

Other standards govern the use of fuel gases and heat producing products for specific uses. Your local authorities can advise you about these.

- Never refill disposable LPG canisters.
- Use only Coleman® accessories or parts. During stove set-up, check all fittings for leaks using soapy water. Never use a flame.

DANGER



• EXPLOSION - FIRE HAZARD

- During lighting and operation, this product can be a source of ignition. Never use the stove in spaces that contain or may contain volatile or airborne combustibles, or products such as gasoline, solvents, paint thinner, dust particles or unknown chemicals. Minimum clearances from combustible materials: 24 inches from the sides and 48 inches from the top.
- Provide adequate clearances around air openings into the combustion chamber.
- Never attempt to operate stove if any plastic tubing on the pump is missing or damaged.

WARNING



• BURN HAZARD

- Never leave stove unattended when hot or in use.
- Keep out of reach of children.

DANGER



• EXPLOSION - FIRE HAZARD

Dangers specific to LPG fuel:

- Never store LPG (liquefied petroleum gas) near high heat, open flames, pilot lights, direct sunlight, other ignition sources or where temperatures exceed 120 degrees F (49°C).
- LPG is heavier than air and can accumulate in low places. If you smell gas, leave the area immediately.
- Never install or remove LPG canister while outdoor stove is lighted, near flame, pilot lights, other ignition sources or while outdoor stove is hot to touch.

⚠ DANGER



• CARBON MONOXIDE HAZARD

- This stove is a combustion appliance. All combustion appliances produce carbon monoxide (CO) during the combustion process. This product is designed to produce extremely minute, non-hazardous amounts of CO if used and maintained in accordance with all warnings and instructions. Do not block air flow into or out of the stove.
- Carbon Monoxide (CO) poisoning produces flu-like symptoms, watery eyes, headaches, dizziness, fatigue and possibly death. You can't see it and you can't smell it. It's an invisible killer. If these symptoms are present during operation of this product **get fresh air immediately!**
- **For outdoor use only.**
- **Never use inside house, camper, tent, vehicle or other unventilated or enclosed areas. This stove consumes air (oxygen). Do not use in unventilated or enclosed areas to avoid endangering your life.**

⚠ CAUTION

• SERVICE SAFETY

- Keep all connections and fittings clean. Inspect LPG canister, Coleman® fuel canister, hoses, and stove connections for damage before attaching.
- During LPG set up, check all connections and fittings for leaks in one or more ways: **Look** for a fuel mist or a wet appearance of fuel on surfaces. **Listen** for hiss of escaping gas. **Smell** for fuel odor. Never use a flame. **Do not use if leaking.** Check that the connection is not cross-threaded and that it is tight. Perform another leak check. If there is still a leak, remove the canister and contact Coleman for service or repairs.
- Use as a cooking appliance only. Never alter in any way or use with any device or part not expressly approved by Coleman.
- Clean stove frequently to avoid grease accumulation and possible grease fires.
- During Coleman® fuel set-up, check all connections for leaks. **Liquid Coleman® fuel present at connections indicates a leak.**

Technical Characteristics

Fuel: Coleman® premium fuel, unleaded gasoline, kerosene, or LPG Canister (Coleman® 3250 Butane/Propane Mix).

Input: 11,000 BTU/HR Coleman® premium fuel.

Input: 11,000 BTU/HR unleaded gasoline.

Input: 10,000 BTU/HR Kerosene.

Input: 14,500 BTU/HR LPG Canister.

Category: Direct pressure multi-fuel stove.

⚠ WARNING

1. Coleman® Fuel is extremely flammable, handle with extreme care. Fuel vapors are invisible, explosive, and can be ignited by ignition sources many feet away.
2. Always fill outdoors. Never open or fill fuel bottle near flame (including pilot lights), or other ignition sources. It is normal for a pressurized fuel bottle to vent a small amount of fuel mist when unscrewing the bottle from the black pump assembly.
3. Always light and use stove outdoors; never inside house, camper, tent, or other unventilated or enclosed areas.
4. **This stove consumes air (oxygen). Do not use in unventilated or enclosed areas to avoid endangering your life.**
5. When manufactured, this stove is ready to be used with Coleman® Fuel, unleaded gasoline, or LPG. Be sure you know the type of fuel in the fuel bottle before lighting.
6. This stove may also be converted for use with kerosene by changing the gas tip. Read the section "Changing the Gas Tip".
7. This stove is designed for liquid withdrawal of Coleman® Fuel, unleaded gasoline, kerosene, or LPG.
8. Store fuel in a clean, properly marked container away from flame (including pilot lights), other sources of ignition, or excessive heat.
9. Use for cooking only. Never alter in any way or use with any device or part not expressly approved by Coleman. Never use as a space heater. Never leave stove unattended while burning.
10. Keep stove away from flammables. Never allow fabric, clothing, or any flammable material come within 48 inches of the top and 24 inches of all sides of the stove.
11. When stove is in use, all metal parts of the stove assembly and generator become extremely hot. **DO NOT TOUCH.**
12. Never place heavy or large capacity utensils on stove. (Maximum weight — 10 lbs.; maximum pot diameter — 6".)
13. When using Coleman® fuel, never attempt to operate stove if any plastic tubing on the pump assembly is out of place, missing or damaged.
14. Keep out of reach of children.

1 Becoming Familiar with your Coleman® Stove

Thank you for purchasing your new Coleman® multi-fuel stove. This stove is a high performance multi-fuel cooking appliance. Operation and control of liquid fuel is different than LPG. We recommend operating your new stove in a safe location outside your home to familiarize yourself with its multi-fuel operation before your next outdoor experience.

Helpful Hints

- Before leaving home, verify that the proper gas tip is installed in your stove that matches the fuel you will be using.
- Consider carrying your spare parts and tools for stove servicing.
- Using the windscreen and reflective disk will usually decrease your water boiling times.
- Liquid Coleman® fuel is recommended when using the stove in temperatures below 40° F or in high elevation.
- For best results, always use Coleman® Filter/Funnel Part No. 814-515T.
- If necessary, unleaded gasoline may be substituted for liquid Coleman® fuel.
- Use kerosene in this stove only with the correct gas tip with groove.
- When using LPG, use only Coleman® 3250 Butane/Propane fuel.

■ When lighting and using your Coleman® stove with liquid fuel, this manual refers to this illustration to identify the different types of flames:

HIGH FLAME - Yellow (Turn off stove)

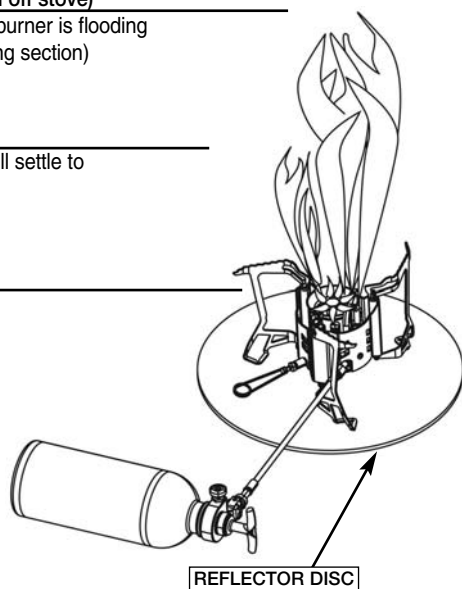
(Excessive height indicates burner is flooding with fuel - see troubleshooting section)

START-UP FLAME - Yellow

(Normal cold start - flame will settle to cooking flame after priming)

COOKING FLAME - Blue

(Normal)



CAUTION

Always place the stove on the reflector disc during setup and use. The disc must be used to help protect combustible surfaces from excess heat and cooking splatter.

HELPFUL HINT:

A windscreen is provided with your stove to improve performance in windy conditions. See **Section 17** for additional information concerning setup and use of the reflector disc and windscreen.

2 Component Identification

Remove all packing material prior to assembly/use. If any parts are missing or damaged, please call one of the phone numbers listed on the warranty page.

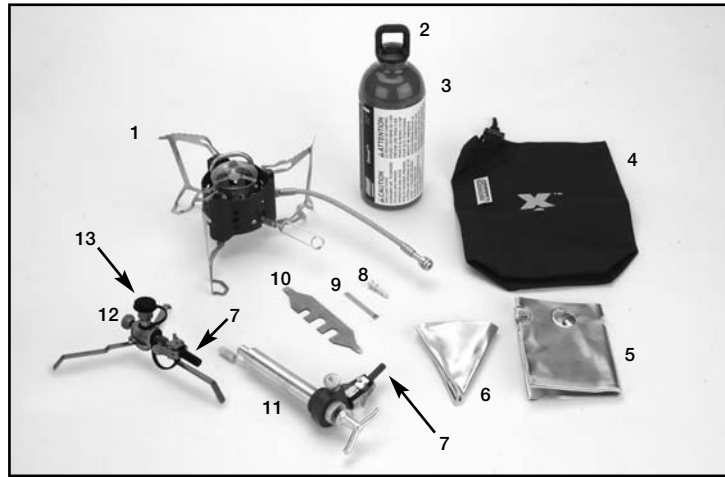


FIG. 1

- | | |
|------------------------------|-----------------------------|
| 1 Denali Stove | 8 Plug (fuel hose) |
| 2 Bottle Cap | 9 Tip Cleaning Tool |
| 3 Bottle | 10 Combination Tool |
| 4 Carry Sack | 11 Pump Assembly |
| 5 Windscreen | 12 LPG Canister Support |
| 6 Reflector | 13 Protective Cap (adapter) |
| 7 Protective Cap (connector) | |

USING STOVE WITH COLEMAN® FUEL BOTTLE

3 Feature Identification (Coleman® Fuel Bottle)

**READ AND FOLLOW
ADDITIONAL
INSTRUCTIONS ON
THE FUEL BOTTLE.**

NOTE: The reflector disc and windscreen are not illustrated in the set up instructions. This is so the features of the stove may be clearly visible and identified. Read about the reflector disc and windscreen in **Sections 1 and 17.**

⚠ DANGER



• CARBON MONOXIDE HAZARD

- For outdoor use only.
- Never use inside house, camper, tent, vehicle or other unventilated or enclosed areas. This stove consumes air (oxygen). Do not use in unventilated or enclosed areas to avoid endangering your life.

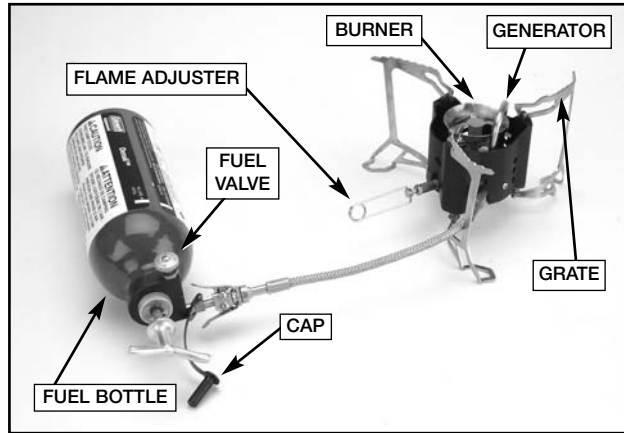
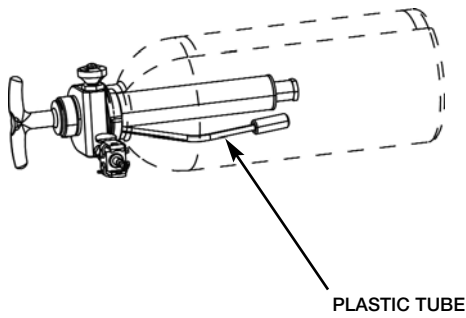


FIG. 2



FOR PROPER OPERATION MAKE SURE THE PLASTIC TUBE IS PRESENT AND POSITIONED AS SHOWN.

FIG. 3

English-6

4 Changing the Gas Tip

NOTE: Make sure the hole in the gas tip easily slips over the clean-out wire. If the wire bumps the gas tip, damage to the clean-out wire may occur.

FUEL	GAS TIP
Coleman® Fuel	No Groove
Unleaded gasoline	No Groove
Kerosene	Groove
Coleman® 3250 Butane/Propane	No Groove

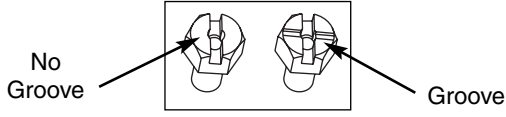



FIG. 3

- Turn the flame adjuster fully counter-clockwise  to lower the clean-out wire (Fig. 4).
- Remove the impingement plate (Fig. 5).
- Use the combination tool provided with the stove to replace the gas tip (Fig. 6).
- See chart above to match the fuel type with the correct gas tip.
- Reinstall the impingement plate.

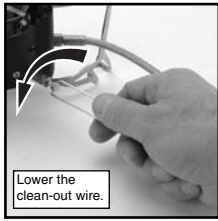


FIG. 4



FIG. 5

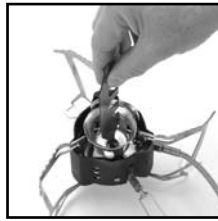


FIG. 6

Stove Set Up

5

NOTE: The reflector disc and windscreen are not illustrated in the set up instructions. This is so the features of the stove may be clearly visible and identified. Read about the reflector disc and windscreen in **Sections 1 and 17**.

- Unfold stove by lifting legs out of detents and rotating out until legs snap into the open position (Fig. 7). Place the stove on the reflector disc.

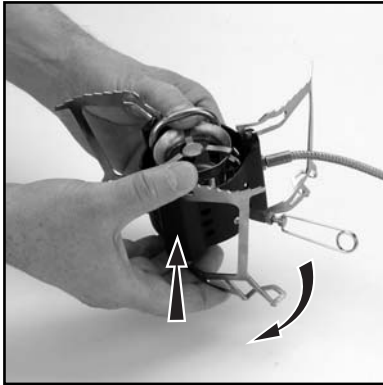


FIG. 7

6 To Fill Tank (Coleman® Fuel Bottle)

NEVER FILL OR LIGHT STOVE INSIDE HOUSE, CAMPER, OR TENT.

- Unscrew bottle from pump assembly (Fig. 8).



FIG. 8

- Use a funnel or suitable filling device and fill with clean, fresh Coleman® fuel (see Section 4 for list of approved fuels).
- Fill bottle no more than 3/4 full (17.8 Fl. Oz.). Overfilling can result in fuel leakage and flare up during lighting. The mark on the decal can be used to check the fuel level (Fig. 9).
- Make sure **FUEL VALVE** is fully "OFF" (Fig. 10).
- Check pump seal for damage and carefully insert pump assembly into fuel bottle and hand tighten (Fig. 11).
- Replace **FUEL CAP** on fuel container. Tighten firmly. Move fuel container away from stove. **WIPE UP ANY SPILLED FUEL AND DISPOSE OF IN A SAFE PLACE.**



FIG. 9

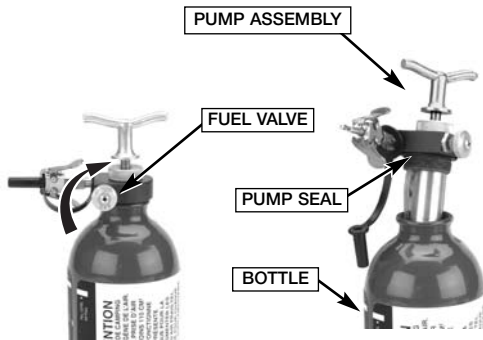


FIG. 10

FIG. 11

7 To Pump (Coleman® Fuel Bottle)

- Make sure FUEL VALVE is fully "OFF" ↻ (Fig 12).
- Squeeze clips and remove black protective cap from bottle connection (Fig. 13).
- Remove protective plug from end of hose and place the plug into the cap for storage (Fig. 14 and 15).
- Connect hose to bottle connection, making sure both clips are engaged in groove (Fig. 16 and 17).
- Pump approximately 20 full strokes (Fig. 18). Adequate air pressure is important, do not over pump.



FIG. 12



FIG. 13



FIG. 14



FIG. 15



FIG. 16

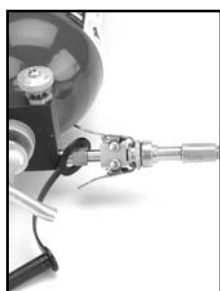


FIG. 17



FIG. 18

8 Leak Check (Coleman® Fuel Bottle)

⚠ WARNING

- Perform leak test outdoors.
- Extinguish all open flames.
- NEVER leak test when smoking.
- Do not use the outdoor stove until connection has been leak tested and does not leak.

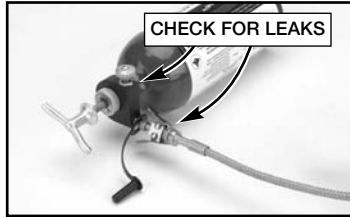
⚠ WARNING



• BURN HAZARD

- Never leave stove unattended when hot or in use.
- Keep out of reach of children.

- Make sure FUEL VALVE is fully "OFF" ↻.
- CHECK FOR LEAKS in one or more ways: **Look** for a fuel mist or a wet appearance of fuel on surfaces. **Listen** for hiss of escaping gas. **Smell** for fuel odor. Never use a flame. **Do not use if leaking.**



Liquid Fuel Canister

FIG. 19

9 To Light (Coleman® Fuel Bottle)

NEVER FILL OR LIGHT STOVE INSIDE HOUSE, CAMPER, OR TENT.

- Make sure fuel bottle is lying level on its side with the FUEL VALVE up (Fig. 22).
- Turn flame adjuster back and forth several times to clean gas tip (Fig. 20).
- Turn flame adjuster to “Low” (Fig. 21).
- Turn on ↻ fuel valve until fuel is seen in bowl of stove (about 2-3 seconds for gas, 3-4 seconds for kerosene).
- Turn off ↻ fuel valve.
- Wait 5 seconds (10 seconds for kerosene).
- Use a match to light Priming Pad in bottom of stove (Fig. 22).
- Allow fuel to burn on Priming Pad until almost out. Just before flame goes out, open fuel valve fully ↻.
- **CAUTION:** If stove burns with a high yellow flame or if liquid fuel appears in the burner, immediately turn FUEL VALVE “OFF.” Allow stove to cool. Carefully review the troubleshooting section before relighting stove.
- If stove does not light, repeat the process.
- Adjust flame with flame adjuster (Fig. 20).
- Flame may be adjusted to desired heat with FLAME ADJUSTER. Periodically turn flame adjuster back and forth several times to clean gas tip. (Fig. 20)
- Pump as required to maintain flame height.

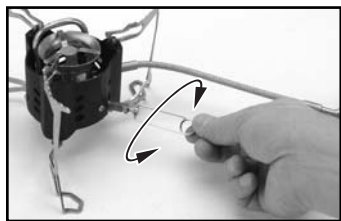


FIG. 20

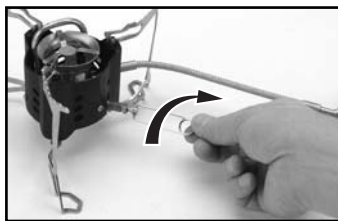


FIG. 21

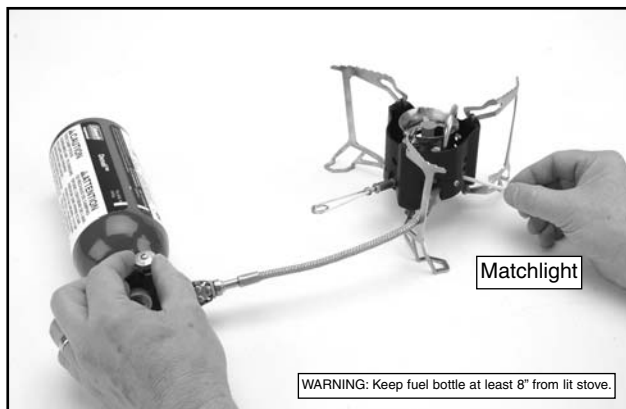

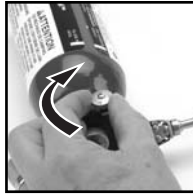


FIG. 22

10 To Turn Off

- Turn **FUEL VALVE** fully "OFF"  (Fig. 23).
- Be sure flame is extinguished. Flame will linger on burner for 1-2 minutes after fuel valve is "OFF".



FUEL VALVE
FIG. 23

WARNING

- Always turn fuel valve off before removing hose. Never remove hose from burner near ignition sources, while stove is lit, or hot to touch.

USING STOVE WITH COLEMAN® LPG CANISTER

11 Identification (LPG Canister)

READ AND FOLLOW ADDITIONAL INSTRUCTIONS ON THE CANISTER SUPPORT.

NOTE: The reflector disc and windscreen are not illustrated in the set up instructions. This is so the features of the stove may be clearly visible and identified. Read about the reflector disc and windscreen in **Sections 1 and 17**.

NOTE: Use only Coleman® 3250 Butane/Propane Fuel.

DANGER



• **CARBON MONOXIDE HAZARD**

- For outdoor use only.
- Never use inside house, camper, tent, vehicle or other unventilated or enclosed areas. This stove consumes air (oxygen). Do not use in unventilated or enclosed areas to avoid endangering your life.

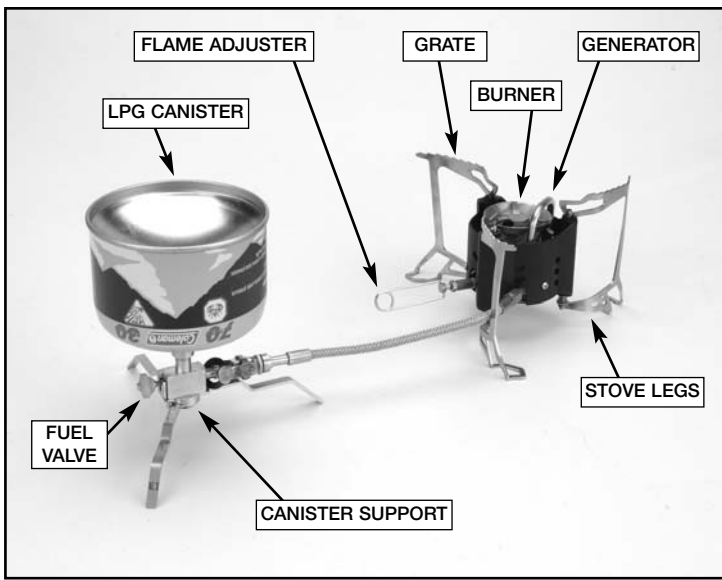


FIG. 24

12 Stove Set Up

NOTE: The reflector disc and windscreen are not illustrated in the set up instructions. This is so the features of the stove may be clearly visible and identified. Read about the reflector disc and windscreen in **Sections 1 and 17**.

- Unfold stove by lifting legs out of detents and rotating out until legs snap into the open position (Fig. 25). Place the stove on the reflector disc.

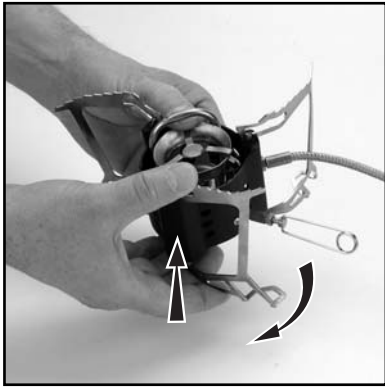


FIG. 25

13 Set Up (LPG Canister)

- Unfold canister support legs (Fig. 26 and 27).



FIG. 26



FIG. 27

- Make sure that the **FUEL VALVE** on the canister support is fully closed (turned fully clockwise) ↻ (Fig. 28).
- Screw LPG canister onto canister support until fully seated (Fig. 29).
- Squeeze clips and remove black protective cap from canister connection (Fig. 30).
- Remove protective plug from end of hose and place the plug into the cap for storage.
- Connect hose to canister support, making sure both clips are engaged in groove (Fig. 31 and 32).

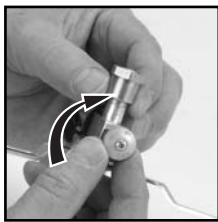


FIG. 28



FIG. 29



FIG. 30



FIG. 31



FIG. 32

14 Leak Check (LPG Canister)

⚠ WARNING


- Perform leak test outdoors.
- Extinguish all open flames.
- NEVER leak test when smoking.
- Do not use the outdoor stove until connection has been leak tested and does not leak.

⚠ WARNING

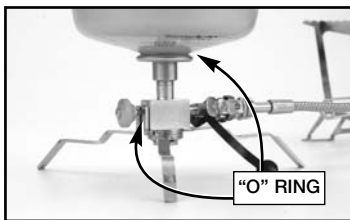


• BURN HAZARD

- Never leave stove unattended when hot or in use.
- Keep out of reach of children.

■ Make sure FUEL VALVE is fully "OFF" .

■ CHECK FOR LEAKS in one or more ways: Apply soapy water to "O" Ring connections as indicated (Fig. 33). **Look** for bubbles, wet connections, or fuel mist. **Listen** for hiss of escaping gas. **Feel** for extreme cold. **Smell** for rotten egg odor. Never use a flame. **Do not use if leaking.**



LPG Canister

FIG. 33

15 To Light (LPG)

NEVER FILL OR LIGHT STOVE INSIDE HOUSE, CAMPER, OR TENT.

- Make sure LPG canister is properly supported by the canister support (Fig. 34).



FIG. 34

- Turn flame adjuster to "High/Light" ↻ (Fig. 35).
- Hold lighted match at burner and then open fuel valve ↻ (Fig. 36).
- **CAUTION:** If stove burns with a high yellow flame, immediately turn **FUEL VALVE "OFF"**. Allow stove to cool. Carefully review the troubleshooting section before relighting stove.
- Flame may be adjusted to desired heat with **FLAME ADJUSTER** (Fig. 37).

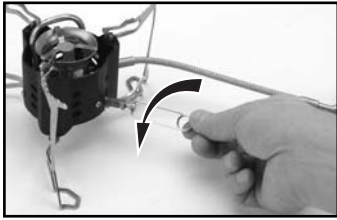


FIG. 35



FIG. 36

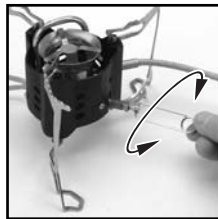


FIG. 37

⚠ DANGER



• EXPLOSION - FIRE HAZARD

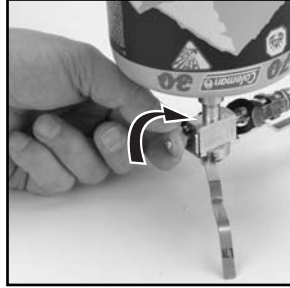
- LPG is heavier than air and can accumulate in low places. If you smell gas, leave the area immediately.
- Always attach or detach fuel canisters outdoors; never while stove is lighted, near flame, pilot lights, other ignition sources or while stove is hot to touch.
- This stove is very hot during use and can ignite flammables too close to the burners. Keep flammables at least 24 inches from the sides and 48 inches from the top of the stove. Keep gasoline and other flammable liquids and vapors well away from stove.
- The stove must not be exposed to flammable vapors or liquids during lighting.

16 To Turn Off (LPG Canister)

- Turn **FUEL VALVE** fully "OFF" (Fig. 38).
- Flame will linger on burner for 1-2 minutes after fuel valve is "OFF".

⚠ WARNING

- Always turn fuel valve off before removing hose. Never remove hose from burner near ignition sources, while stove is lit, or hot to touch.



FUEL VALVE
FIG. 38

17 Using the Reflector Disc and Windscreen

⚠ CAUTION

Always place the stove on the reflector disc during setup and use. The disc must be used to help protect combustible surfaces from excess heat and cooking splatter.

- Always place the stove on the reflector disc during setup and use.
- To improve stove performance in windy conditions, unfold the windscreen and place it around the stove. Fold the ends together. Place the windscreen so that the notched end is down and allows access to the flame adjuster (Fig. 39 and 40).
- Roll or gently fold the windscreen for storage.



FIG. 39



FIG. 40

18 To Store

- Make sure stove is cool.
- Move stove away from flame (including pilot lights) and other ignition sources.
- If using the fuel bottle, disconnect the fuel hose at the fitting attached to the fuel bottle.
- If using an LPG canister, disconnect the fuel hose at the fitting attached to the canister support and then remove the LPG canister from the canister support.
- Squeeze the clips and replace the protective caps onto the fittings (Fig. 41).
- The stove may be folded for compact storage (Fig. 42).



FIG. 41



The hose remains attached to the stove.

FIG. 42

• MAINTENANCE

- Keep stove area clear and free from combustible materials, gasoline and other flammable vapors and liquids.
- Do not obstruct the flow of combustion and ventilation air.
- A good flame should be blue with minimal yellow tip. Some yellow tips on flames are acceptable as long as no carbon or soot deposits appear.
- Wipe clean with soft cloth and mild dish detergent. Do not use abrasives.

Symptom	Problem	Solution
Burner will not light or flame self-extinguished.	Fuel bottle empty.	Refill fuel bottle 3/4 full with clean and fresh Coleman® fuel or approved fuels.
Burner will not light or flame is low or flame self-extinguished.	Little or no pressure in fuel bottle.	Check connections for leaks and pump 20 strokes.
Yellow flame.	Generator not fully warmed.	A yellow flame is normal until the generator warms up. If yellow flame persists, turn off stove, allow flame to burn until almost extinguished and re-open fuel valve. Colder weather or heavy fuels such as Kerosene require longer preheat time. Follow lighting instructions.
Low heat.	Gas tip plugged.	Turn flame adjuster back and forth several times to clean gas tip. Be sure to use only fresh and clean fuel. If condition persists, remove gas tip and use tip-cleaning tool.
Low heat.	Incorrect gas tip.	Confirm gas tip is correct for fuel used.
Low heat.	Faulty generator.	Replace with a new generator. This is a normal periodic maintenance procedure. The generator life is dependent on the type of fuel used. Generator life is extended by using clean Coleman® fuel.
Persistent small yellow flame.	Faulty generator.	Replace with a new generator.
Sputtering yellow flame then very high heat.	Incorrect gas tip.	Confirm gas tip is correct for fuel used.
Yellow smoky flame.	Spider webs, insects, or other obstruction in the burner or gas tip.	Remove impingement plate to inspect and clean the burner. Turn flame adjuster back and forth several times to clean gas tip. If system persists, remove and inspect gas tip (see Section 4).
Irregular blue flame.	Gas tip plugged by debris.	Remove impingement plate to inspect and clean the burner. Turn flame adjuster back and forth several times to clean gas tip. If symptom persists, remove and inspect gas tip (see Section 4).
Irregular blue flame.	Possible damage to cleaning needle.	Please contact Consumer Services.
Pump does not pressurize the liquid fuel canister.	Pump seals are dry or worn.	Squirt a few drops of oil in the OIL HOLE in the pump cap. This will keep the pump functioning properly (Fig. 43). If this does not correct the problem, replace the pump seals or purchase a new pump assembly.
Pump does not pressurize the liquid fuel canister.	Pump assembly not fully seated on liquid fuel canister.	Check pump seal for damage and hand tighten pump assembly to liquid fuel canister.

Limited Five Year Warranty

The Coleman Company, Inc. ("Coleman") warrants that for a period of five years from the date of original retail purchase, this product will be free from defects in material and workmanship. Coleman, at its option, will repair or replace this product or any component of the product found to be defective during the warranty period. Replacement will be made with a new or remanufactured product or component. If the product is no longer available, replacement may be made with a similar product of equal or greater value. This is your exclusive warranty.

This warranty is valid for the original retail purchaser from the date of initial retail purchase and is not transferable. Keep the original sales receipt. Proof of purchase is required to obtain warranty performance. Coleman dealers, service centers, or retail stores selling Coleman® products do not have the right to alter, modify or in any way change the terms and conditions of this warranty.

What This Warranty Does Not Cover

This warranty does not cover normal wear of parts, parts that are not genuine Coleman® parts, or damage resulting from any of the following: negligent use or misuse of the product; use on improper voltage or current; commercial use of the product; use contrary to the operating instructions; disassembly, repair or alteration by anyone other than Coleman or an authorized service center. Further, the warranty does not cover Acts of God, such as fire, flood, hurricanes and tornadoes. Warranty void if damage to product results from the use of a part other than a genuine Coleman® part.

COLEMAN SHALL NOT BE LIABLE FOR DEFECTS THAT ARE CAUSED BY THE USE OF UNAUTHORIZED PARTS OR SERVICE. COLEMAN SHALL NOT BE LIABLE FOR ANY INCIDENTAL OR CONSEQUENTIAL DAMAGES CAUSED BY THE BREACH OF ANY EXPRESS OR IMPLIED WARRANTY OR CONDITIONS. EXCEPT TO THE EXTENT PROHIBITED BY APPLICABLE LAW, ANY IMPLIED WARRANTY OF MERCHANTABILITY OR FITNESS FOR A PARTICULAR PURPOSE IS LIMITED IN DURATION TO THE DURATION OF THE ABOVE WARRANTY OR CONDITIONS. SOME STATES, PROVINCES, OR JURISDICTIONS DO NOT ALLOW THE EXCLUSION OR LIMITATION OF INCIDENTAL OR CONSEQUENTIAL DAMAGES OR LIMITATIONS ON HOW LONG AN IMPLIED WARRANTY LASTS, SO THE ABOVE LIMITATIONS OR EXCLUSION MAY NOT APPLY TO YOU. THIS WARRANTY GIVES YOU SPECIFIC LEGAL RIGHTS, AND YOU MAY ALSO HAVE OTHER RIGHTS THAT VARY FROM STATE TO STATE OR PROVINCE TO PROVINCE.

How to Obtain Warranty Service

Take the product to an authorized Coleman service center. You can find the nearest authorized Coleman service center by visiting www.coleman.com or calling 1-800-835-3278 or TDD 316-832-8707 in the United States or 1 800 387-6161 in Canada. If a service center is not conveniently located, attach to the product a tag that includes your name, address, daytime telephone number and description of the problem. Include a copy of the original sales receipt. Carefully package the product and send either by **courier** or **insured mail** with shipping and **insurance** prepaid to:

For products purchased in the United States:
The Coleman Company, Inc.
3600 North Hydraulic
Wichita, KS 67219

For products purchased in Canada:
Sunbeam Corporation (Canada) Limited
DBA Jarden Consumer Solutions
20B Hereford Street
Brampton, ON L6Y 0M1

The costs of transporting the product to Coleman or an authorized service center for warranty service is the responsibility of the purchaser.

Do not mail products with fuel in tanks, or with disposable LPG canisters. Remove glass globes from lanterns and wrap separately.

DO NOT RETURN THIS PRODUCT TO THE PLACE OF PURCHASE.

If you have any questions regarding this warranty please call 1-800-835-3278 or TDD 316-832-8707 in the United States or 1 800 387-6161 in Canada.

1. It is unsafe and illegal in some places to store or use LPG canisters of greater than 1.14 kg (2.5 lbs) water capacity (approximately 465 g [1 lb.] LPG) in occupied enclosures.
2. During operation for an extended period at a low heat setting, you may notice an intermittent yellow flame. This can be corrected by adjusting the flame to a slightly higher level with the **FLAME ADJUSTER**.
3. Seasonally or before storage, squirt a few drops of oil into the **OIL HOLE** in the pump cap. This will keep the pump functioning properly. (Fig. 43)
4. The flame adjuster moves a small needle in and out of the generator gas tip. If stove is hard to light or does not produce full heat output, turn flame adjuster back and forth several times to clean generator. If further cleaning is necessary, remove the gas tip and use the Tip Cleaning Tool (See Section 4).
5. Unleaded fuels may vary in quality and can affect generator life and performance. If you are having a problem with your stove or generator using unleaded fuel, replace the generator and try a different brand of unleaded fuel. Canadian unleaded gasoline, unlike U.S. produced fuels, contain manganese compounds that are unacceptable to both generator performance and reliability.
6. The usual storage areas for camping and picnic equipment are the basement, attic, or garage. To avoid the accumulation of dust, cobwebs, etc., that is common in these areas, place your stove in a plastic bag and seal it with a rubber band.
7. For repair service call one of the numbers listed below for location of your nearest Coleman Service Center. If stove must be mailed to a Service Center, attach to the product a tag that includes your name, address, daytime telephone number and a description of problem. Do NOT send LPG canister. Carefully package the product and send either by **courier** or **insured mail** with shipping and **insurance** prepaid to:

For products purchased in the United States:
The Coleman Company, Inc.
3600 N. Hydraulic • Wichita, KS 67219 U.S.A.
1-800-835-3278 • TDD: 316-832-8707

For products purchased in Canada:
Sunbeam Corporation (Canada) Limited
DBA Jarden Consumer Solutions
20B Hereford Street
Brampton, ON L6Y 0M1
1 800-387-6161

8. If not completely satisfied with the performance of this product, please call one of the numbers listed above.

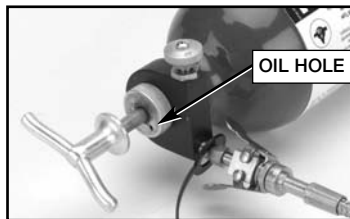
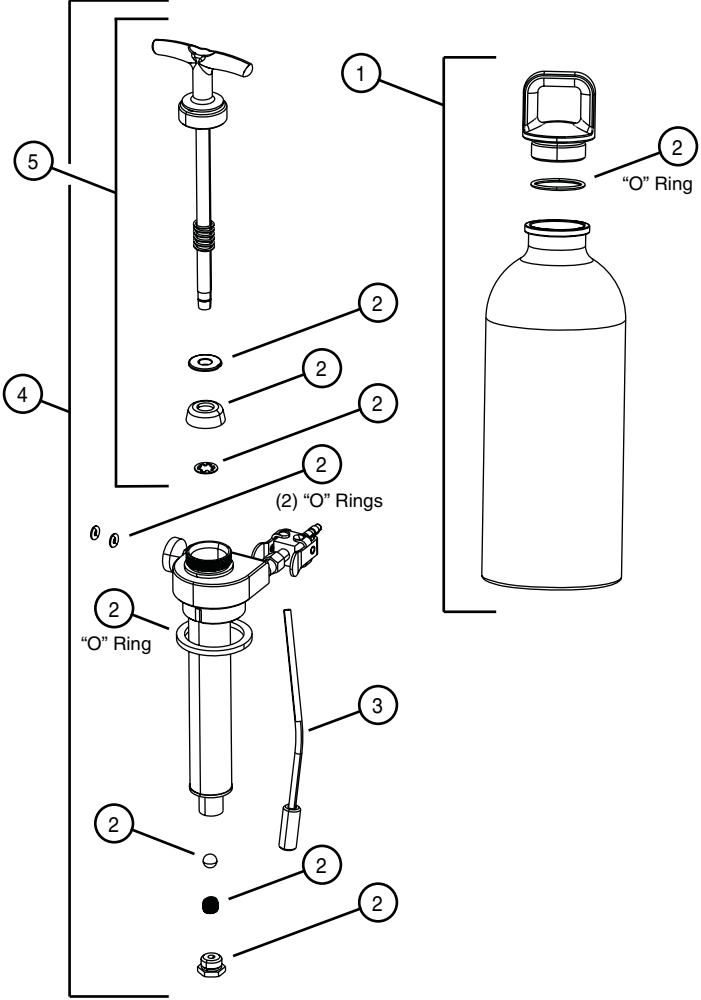


FIG. 43

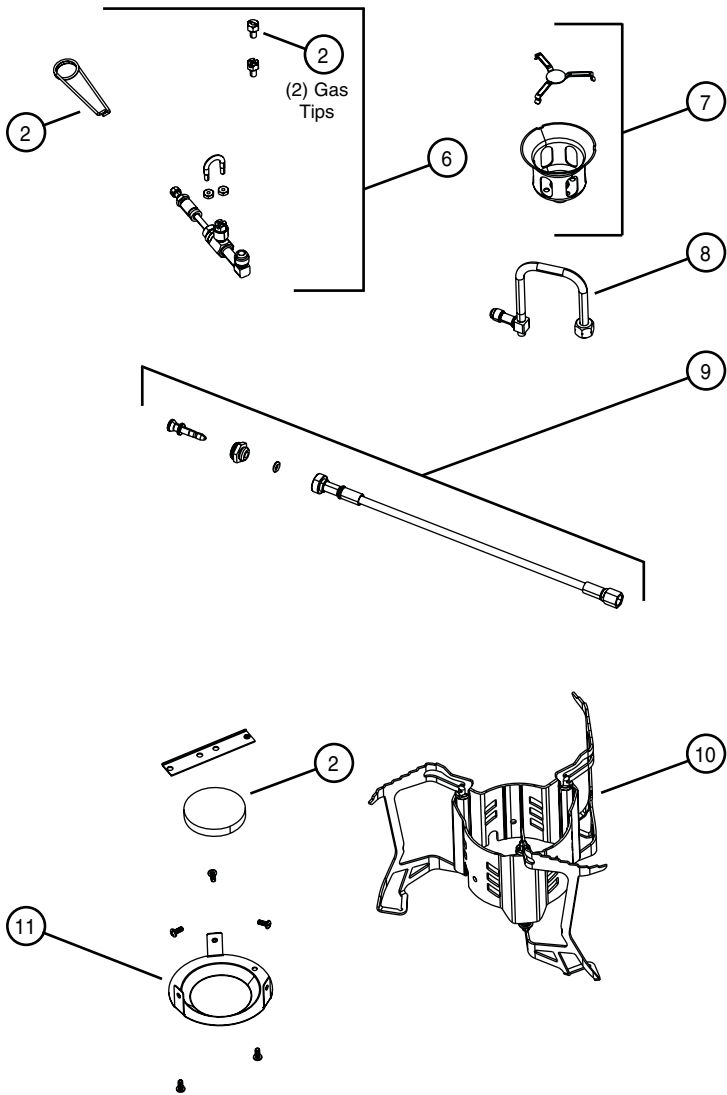
Replacement Parts List

Item	Part No.	Description
1	5010000305	Fuel Bottle Assembly (22 fl. oz. capacity)
2	5010000304	Service Parts Kit (includes items on the next pages)
3	5010000303	Fuel Tube and Filter
4	5010000302	Pump and Valve Assembly
5	5010000301	Plunger Assembly



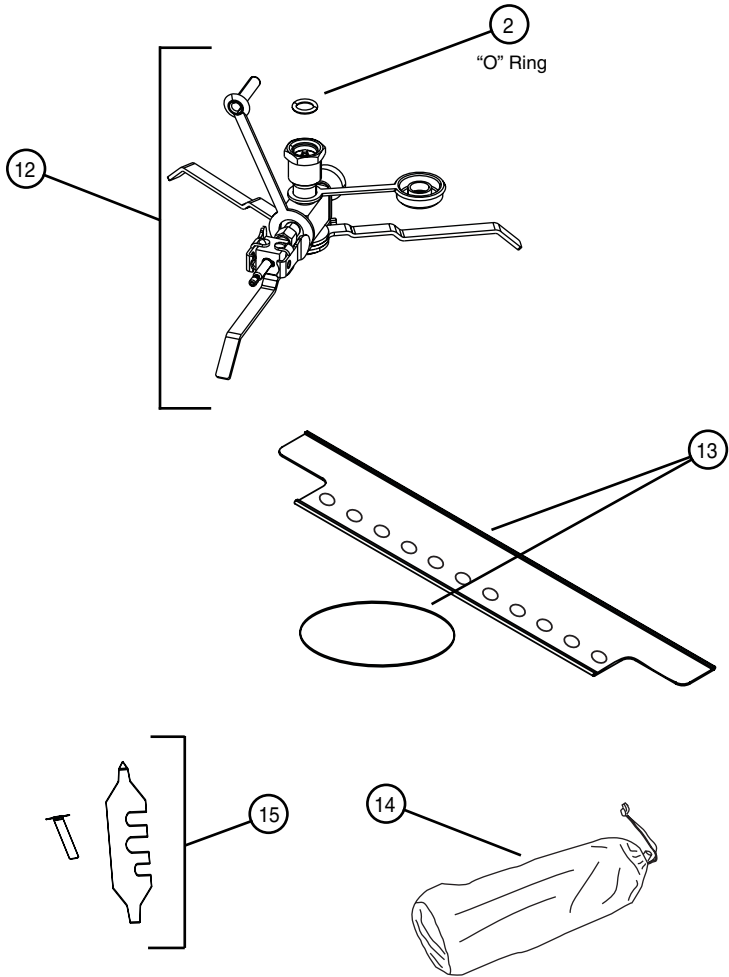
Replacement Parts List

Item	Part No.	Description
6	5010000308	Valve Assembly
7	5010000306	Burner Assembly
8	5010000307	Generator
9	5010000309	Hose Assembly with Cap
10	5010000310	Stove Body with Legs
11	"Please Call"	Bottom Plate



Replacement Parts List


Item	Part No.	Description
12	5010000311	LPG Canister Support Assembly
13	R9770-120	Windscreen and Reflector Disc
14	5010000313	Stuff Sack
15	5010000312	Maintenance Tools





The Coleman Company, Inc. • 3600 North Hydraulic • Wichita, KS 67219 U.S.A.
1-800-835-3278 • TDD: 316-832-8707

Sunbeam Corporation (Canada) Limited • DBA Jarden Consumer Solutions
20B Hereford Street
Brampton, ON L6Y 0M1 • 1 800 387-6161

© 2007 The Coleman Company, Inc. All rights reserved. Coleman®, Exponent®, and  are registered trademarks and Denali™ is a trademark of The Coleman Company, Inc.

www.coleman.com

9790-050C (20071016)