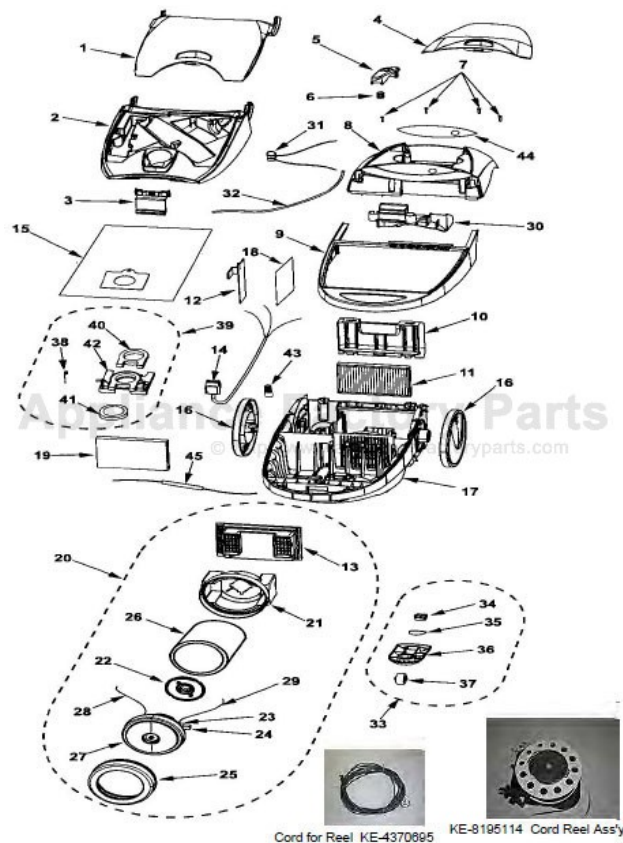


This Owner's Manual is provided and hosted by [Appliance Factory Parts](#).



# Kenmore 116.25614504 Owner's Manual

[Shop genuine replacement parts for Kenmore  
116.25614504](#)



[Find Your Kenmore Vacuum Cleaner Parts - Select From 746 Models](#)

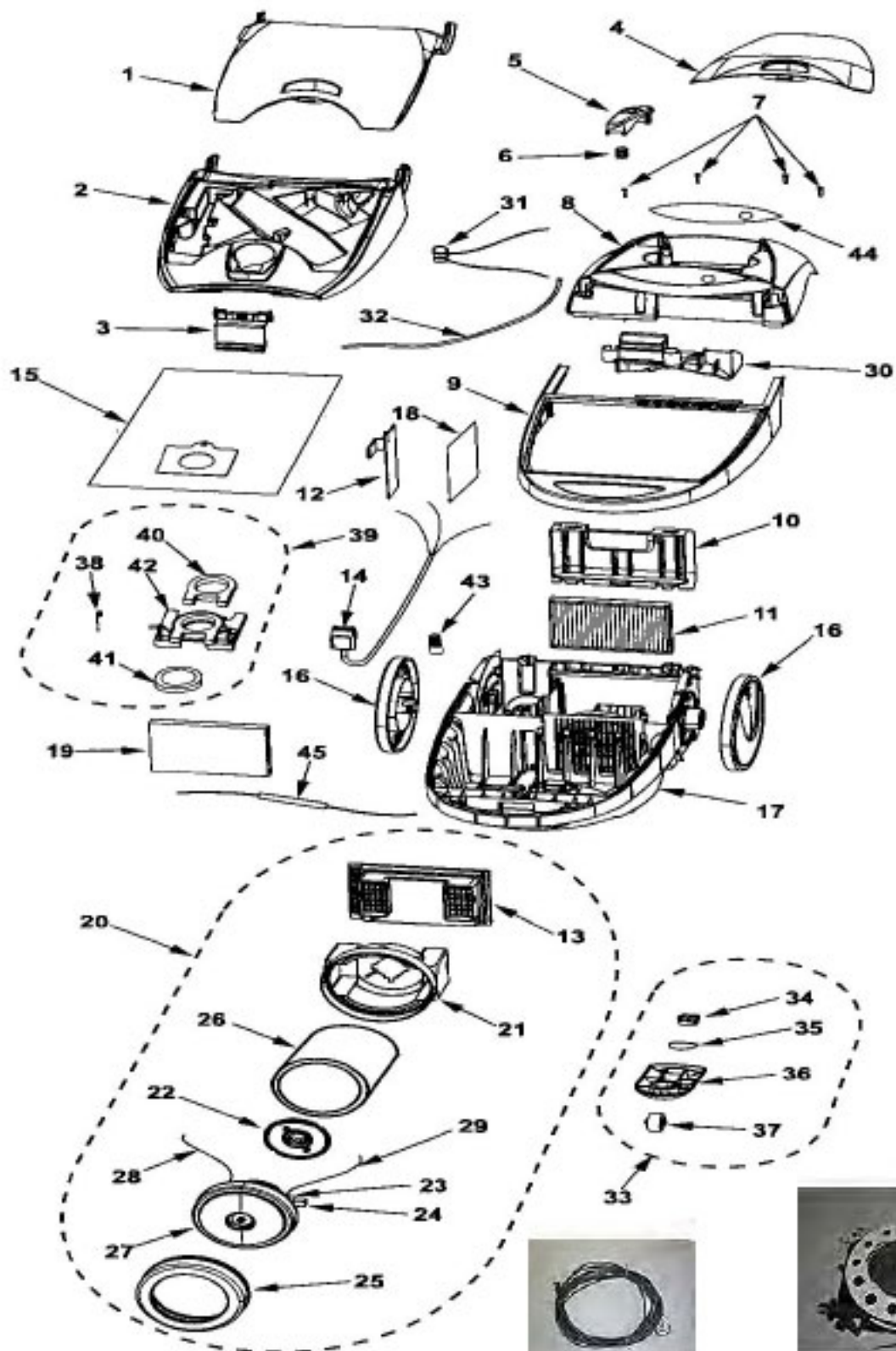
----- Manual continues below part list -----

## Available Replacement Parts for Kenmore 116.25614504

<a href="#">86883</a>	FILTER VA
<a href="#">8192535</a>	AGITATOR VA
<a href="#">4370325</a>	ADAPTER VA
<a href="#">KC63RBZTZV07</a>	Combination brush.
<a href="#">KC01DBZTZV07</a>	HOOD LATCH
<a href="#">KC41KBZTZV06</a>	FILTER COVER
<a href="#">4370614</a>	BRUSH-ASSY VA
<a href="#">8192011</a>	BELT-DRIVE VA

# KENMORE Original & Replacement

CANISTER VACUUM Model 116.25614504



Cord for Reel KE-4370895

KE-8195114 Cord Reel Ass'y

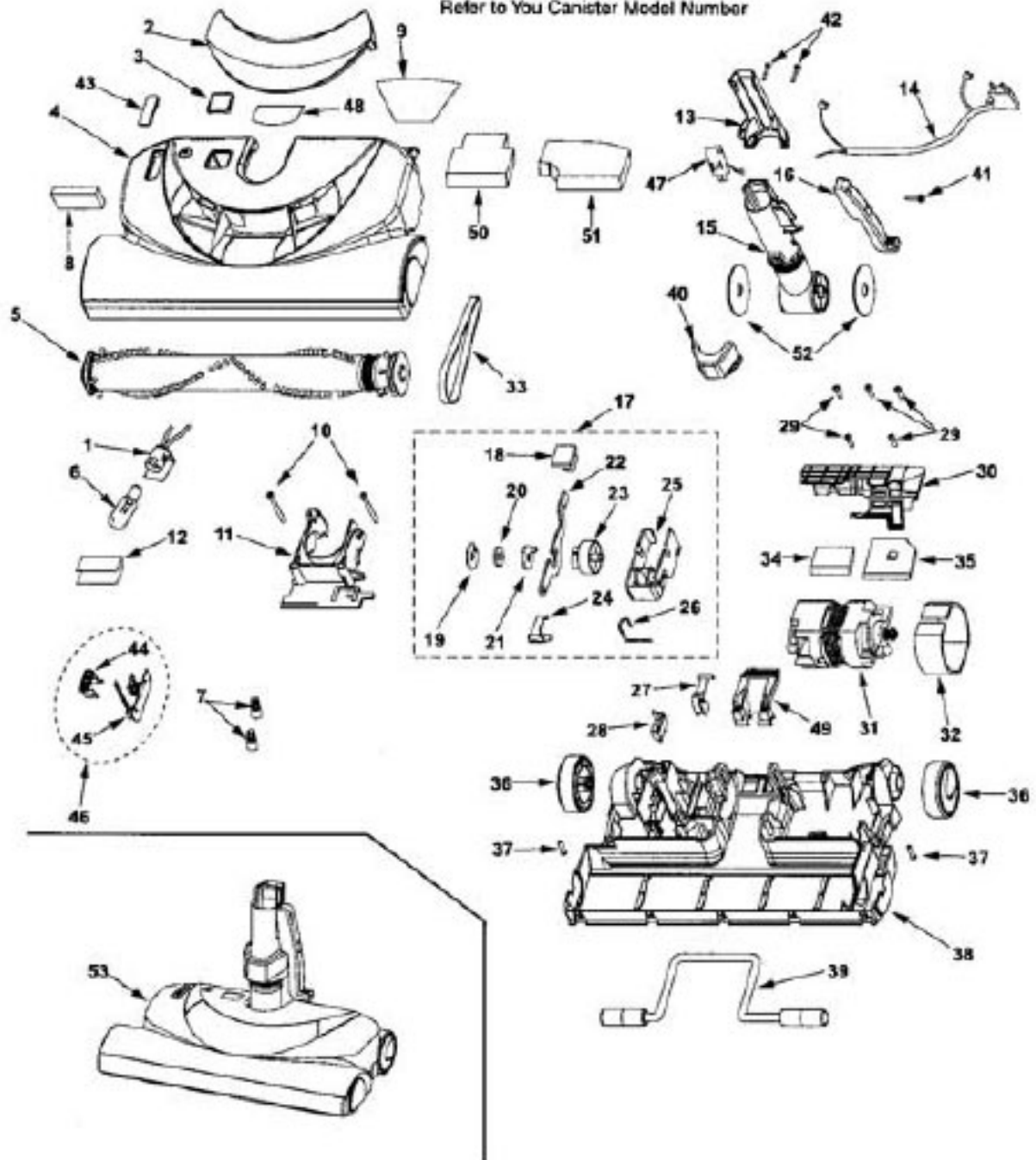
# Original & Replacement **KENMORE** CANISTER VACUUM Model 116.25614504

KEY	PART NO.	DESCRIPTION
1	KE-KC74PCPNZWUH	Tool storage cover ,deco
2	KE-KC80KCPMZWUH	Dust cover, deco
3	KE-KC01DBZTZV07	Latch
4	KE-KC74PCPMZWUH	Tool storage cover
5	KE-KC48NBZTZV08	Cord rewind button
6	KE-KS744258	Spring, cord rewind
7	KE-4388583	Screw, motor, case mounting
8	KE-KC48HBZTZWUH	Canopy
9	KE-KC31ABZTZV08	Furniture guard
10	KE-KC41KBZTZV08	Filter cover
11	KER-1800	Exhaust filter (hepa) sears no. 20-88889
12	KE-KC88WBZRZ000	P.c.b. assembly
13	KE-KC32FBZT1V07	Filter supporter
14	KE-KC90EBZTZV08	Receptacle assembly, 3-wire
15	KER-14551A	Dust bag (hepa) sears no. 20-50557
16	KE-KC99CBZNV07	Wheel
17	KE-KC03ABZT4V07	Lower body
18	KE-KC41FBZPZ000	Cooling guide
19	KE-8175084	Filter, motor safety sears no. 20-88883
20	KE-KC90FBZTZV07	Motor assembly
21	KE-KC10GBZTZV07	Motor enclosures
22	KE-KC03FBZTZ000	Motor support rubber, rear
23	NLA	
24	KE-4370855	Brush, motor (2)
25	KE-KC02FCPSZ000	Motor support rubber, front
26	KE-4370883	Suppressor, noise
27	KE-KC92FBEMZ000	Fan motor ,unit
28	KE-KC38GATMZ000	Lead wire, black
29	KE-KC43GAUYZ000	Lead wire assembly
30	KE-KC02ABZTZV08	Upper body
31	KE-4370741	Indicator, light switch (includes illus. 9)
32	KE-4370877	Adapter, tube vac switch
33	KE-KC95CBZTZV08	Caster unit
34	KE-KC12CBZTZ000	Counter weight
35	KE-KC41ABZTZV00	Rubber cushion
36	KE-KC34CBZTZV08	Caster supporter
37	KE-4370891	Caster. wheel
38	KE-KS708024	Spring, bag mount
39	KE-KC11KAKTZR01	Bag supporter assembly
40	KE-KC03LAKTZ000	Gasket, bag mount
41	KE-4370888	Packing , inlet
42	KE-KC10KAKTZR01	Bag mount
43	SS-3270	Wire Nut
44	KE-KC21TBZTZ000	Ornamental plate
45	KE-4370878	Lead wire assembly

# KENMORE Original & Replacement

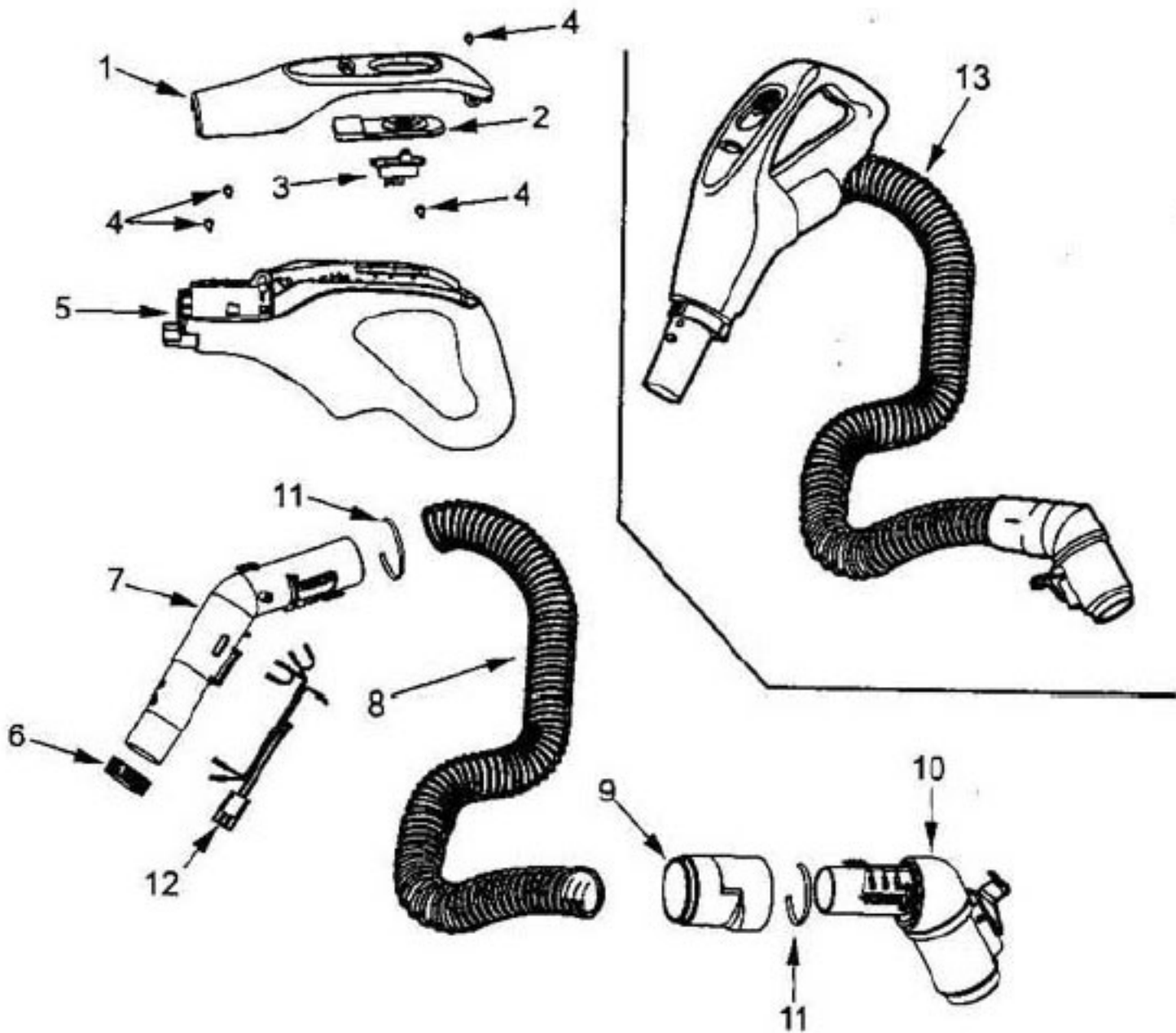
CANISTER VACUUM Model 116.25614504

Power-Mats® Parts List is Combined  
with the Canister Parts List  
Refer to Your Canister Model Number



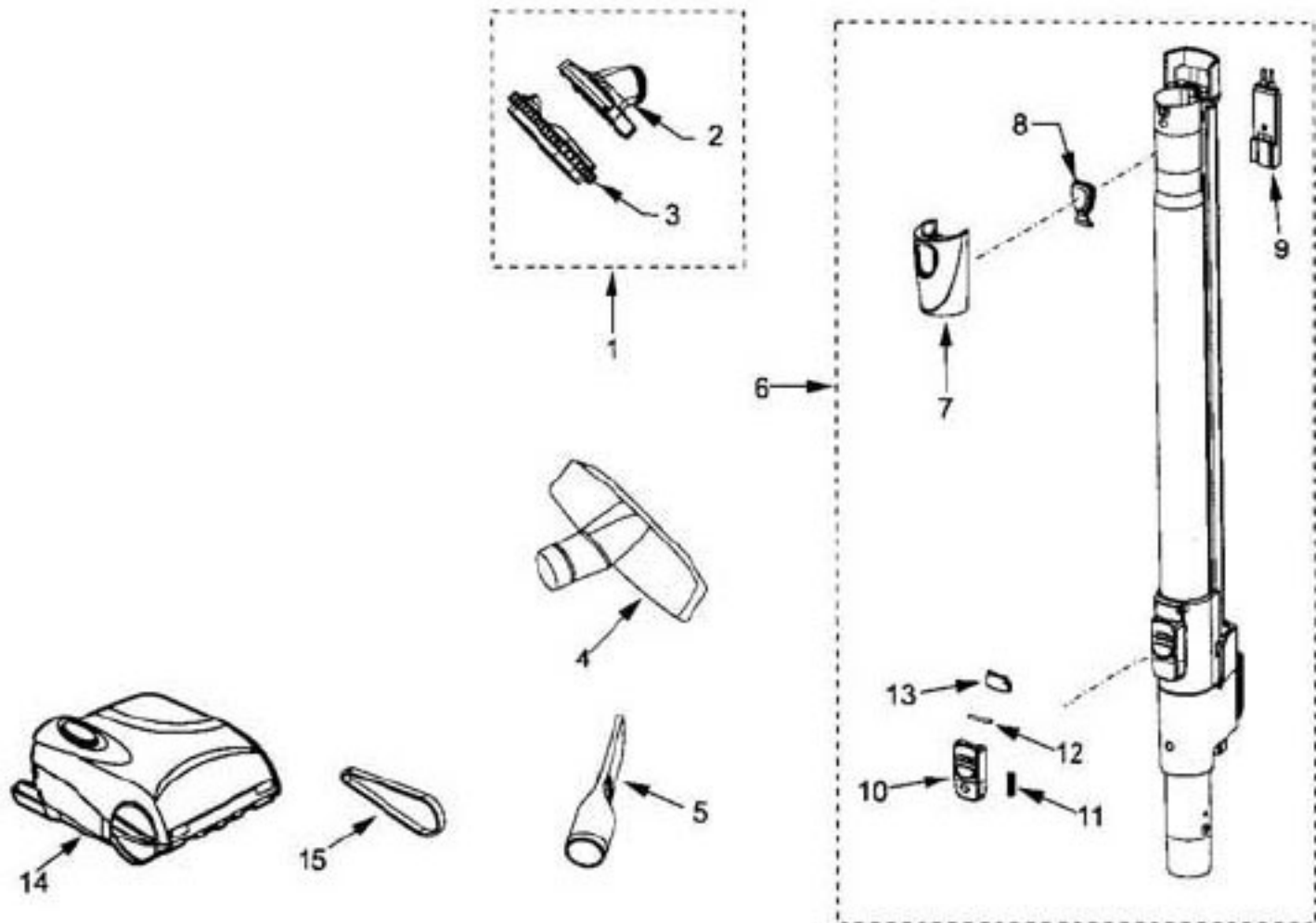
# Original & Replacement **KENMORE** CANISTER VACUUM Model 116.25614504

KEY	PART NO.	DESCRIPTION
1	KE-4370721	Socket, bulb
2	KE-KC21HBZTZ000	Light lens
3	KE-4389887	Window, cover (height adjustment)
4	KE-KC99RBZRZMUB	Nozzle housing
5	KE-8192535	Agitator unit (as of 5/02/08)
6	FA-3515	Bulb
7	SS-3270	Connector
8	KE-4370713	Filter, intake/ exhaust (2)
9	KE-KC84HBZTZ000	Reflector, nozzle
10	KE-KS881550	Screw
11	KE-KC25QAKTZV07	Swivel cap
12	KE-KC22HBZTZ000	Window reflector
13	KE-4370717	Cover, rear
14	KE-KC67VAXEZV06	Lead wire "a"
15	KE-KC92PCREZ000	Swivel
16	KE-8195108	Pedal, quick release
17	KE-KC83MAKSZV06	Indicator block assembly
18	KE-4370577	Pad, foot pedal
19	KE-KS722909	Washer, thrust
20	KE-KS725835	Washer
21	KE-KS722955	Catch indexing
22	KE-4370720	Indicator, level
23	KE-KS747291	Cam, indicator
24	KE-KS742018	Ratchet catch
25	KE-8191506	Indicator block
26	KE-KS725775	Spring assist
27	KE-4370726	Lifter
28	KE-KC76FAXEZ000	Overload protector
29	KE-KS881297	Screw
30	KE-KC26FCPSZ000	Motor cap
31	KE-KC90FCBJZ000	Motor
32	KE-KS747158	Motor gasket
33	<b>KER-1080</b>	Belt sears no.20-5218
34	KE-KC75ACPSZ000	Packing motor - front
35	KE-KC13BCPSZ000	Packing motor - rear
36	KE-KC99CBZTZV07	Wheels
37	KE-4388563	Screw, motor, case mounting
38	KE-KC03RBZTZV07	Lower plate
39	KE-KS744029	Front axle assembly
40	KE-4370967	Front cover
41	KE-4370280	Screw, motor case mounting
42	KE-4388551	Screw, 8-24 x 1 (2)
43	KE-4389981	Window, dirt sensor
44	KE-KC23KBZTZU00	P.c.b. supporter
45	KE-KC87GBZR1000	P.c.b dirt sensor
46	KE-KC87GBZR2000	Dirt sensor unit
47	KE-4389985	Pcb "b" unit
48	KE-KC84HCPSZ000	Reflector
49	KE-KC47AGJ3R01	Handle release pedal
50	KE-KC39ACPSZ000	Body packing right nozzle
51	KE-KC40ACPSZ000	Body packing left nozzle
52	KE-KS742019	Swivel seat
53	KE-KC50XBZRZU01	Powermate Ass'y Black



1	KE-KC68GBZTZV07	SWITCH CASE
2	KE-KC02UBZTZVU6	SLIDING KNOB
3	KE-8191600	SWITCH
4	KE-4369085	SCREW
5	KE-KC93BBZTZV06	HANDLE ASSEMBLY
6	KE-4370593	SUCTION CONTROL
7	KE-4370612	CURVED PIPE UNIT
8	KE-4370588	HOSE, 3-WIRE
9	KE-4370325	HOSE CONNECTION COVER
10	KE-KC92PBZTZV06	CONNECTION PIPE
11	KE-KC04RATMZ000	HOSE PACKING
12	KE-KC37GBZTZV06	WIRE HARNESS
13	KE-KC94PBZTZV07	HOSE ASSEMBLY

Power-Mate® Part Number: C50XCRF0W017



1	KE-KC63RBZTZV07	COMBINATION BRUSH
2	KE-KC62RBZTZV07	UPHOLSTERY NOZZLE
3	KE-KC94QBZTZV07	DUSTING BRUSH
4	KE-4370614	FLOOR BRUSH
5	KE-8175100	CREVICE TOOL
6	KE-KC99PCPMZV06	EXTENSION WAND
7	KE-KC70QCPMZV06	QUICK RELEASE UPPER
8	KE-KC13DCPMZV06	QUICK RELEASE BUTTON
9	KE-8191782	TERMINAL COVER
10	KE-KC57HASMZV07	SLIDING KNOB
11	KE-KC65DASMZ000	SPRING
12	KE-KC27UASMZ000	SLIDING PIN
13	KE-KC06QASMZV06	PIPE COVER
14	KE-4369133	POWER-MATE JR. (COMPLETE ASSEMBLY)
15	KE-8192011	BELT, POWER-MATE JR