

This Owner's Manual is provided and hosted by [Appliance Factory Parts](#).



# Windsor VAC PAC VP Owner's Manual

[Shop genuine replacement parts for Windsor VAC PAC  
VP](#)

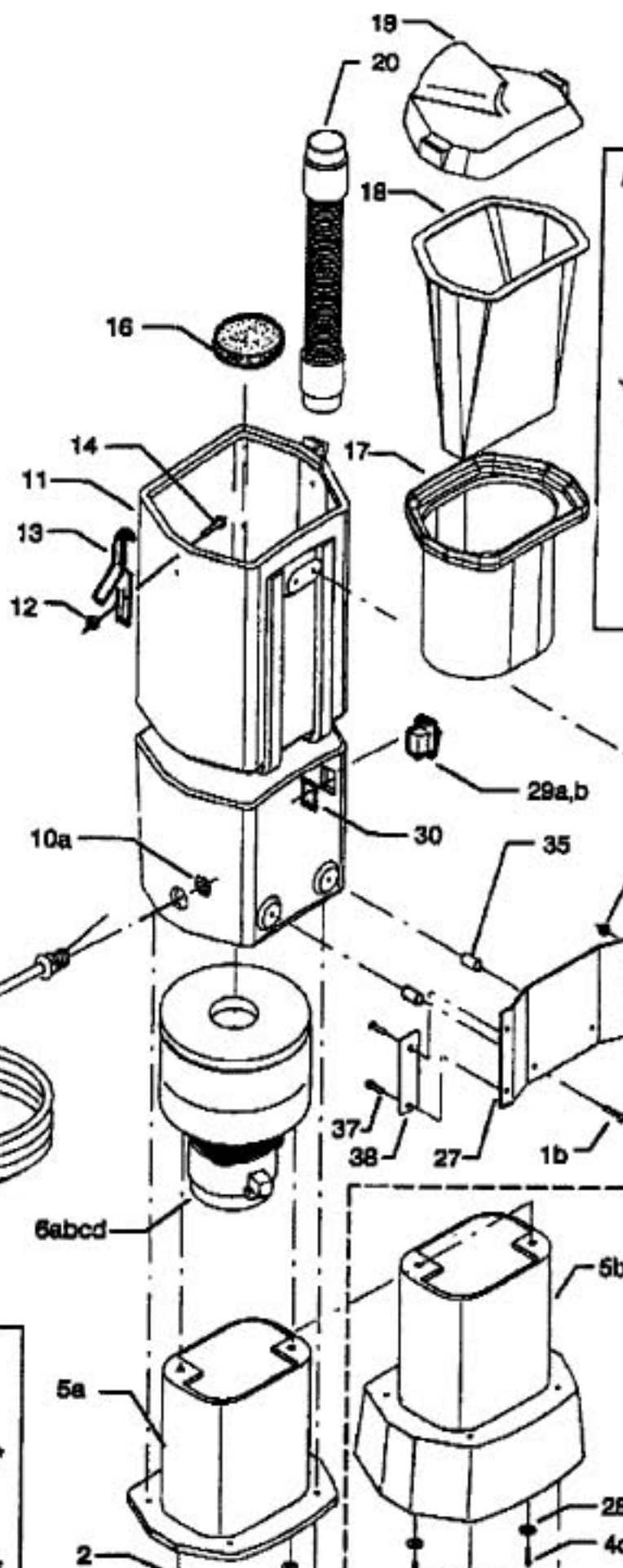


[Find Your Windsor Vacuum Cleaner Parts - Select From 26 Models](#)

----- Manual continues below -----

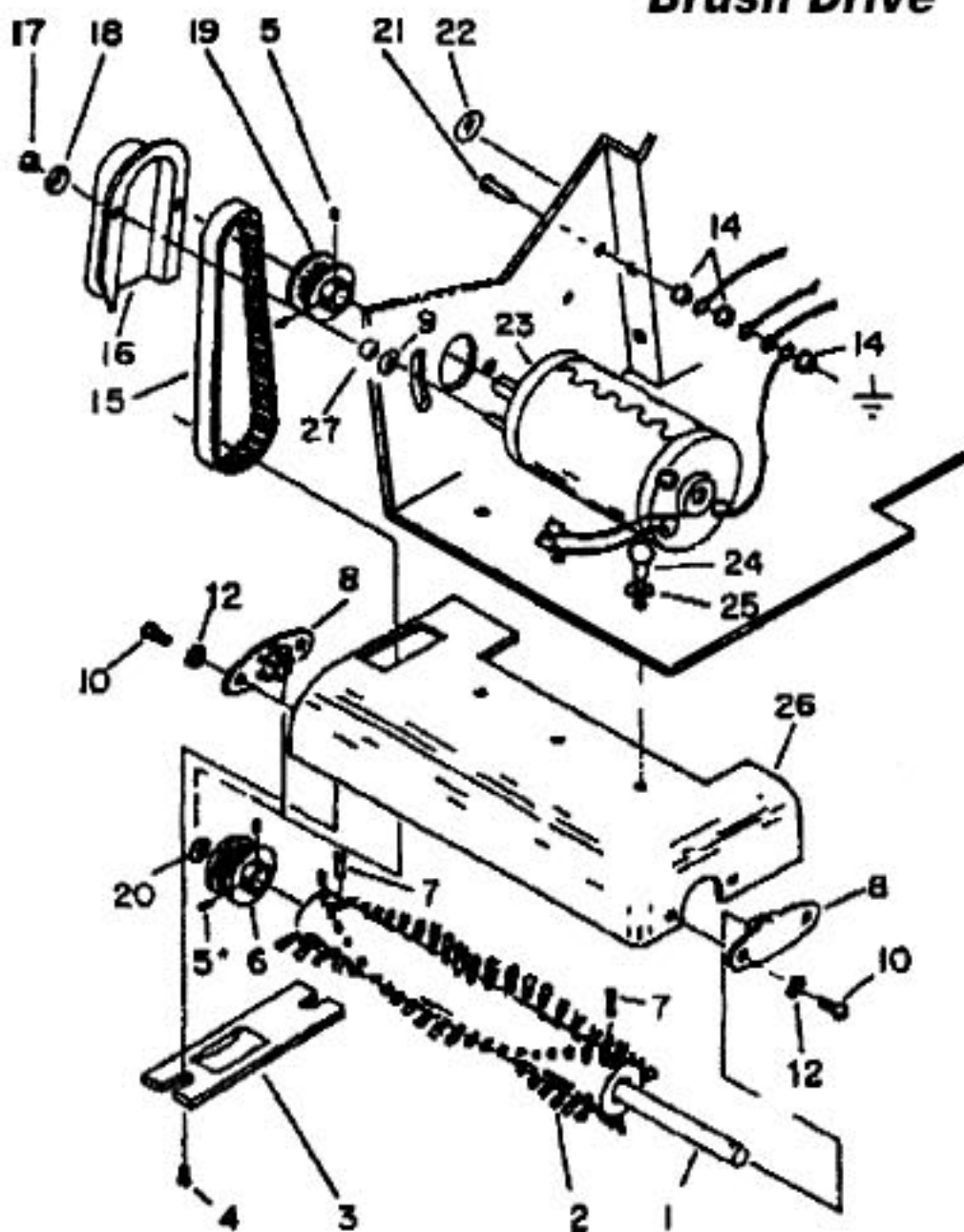
## Models: VAC PAC VP, VP-J, VPH, VPH-J

1A.....	WI-70021	.....	Screw
1B.....	WI-70092	.....	Screw
2.....	WI-87018	.....	Washer
3A.....	WI-08049	.....	Base, VP's
3B.....	WI-08046	.....	Base, VPH's
4A.....	WI-70160	.....	Screw
4B.....	WI-70114	.....	Screw, VPJ
4C.....	WI-70088	.....	Screw, VPH's
5A.....	WI-71107	.....	Support, motor, VP's
5B.....	WI-7115	.....	Support, motor, VPH's
6A.....	WI-53738	.....	Vac Motor Assy, 115V
6B.....	WI-53575	.....	Vac Motor Assy, 100V
6C.....	WI-53576	.....	Vac Motor Assy, 115V, HEPA
6D.....	WI-53777	.....	Vac Motor Assy, 110V, HEPA
7.....	WI-88657	.....	Wire Assy, 18/3, VPH 115V
8.....	WI-23511	.....	Cord Assy, 18/3, 40', SJT
9.....	WI-57104	.....	Nut
10A.....	WI-57208	.....	Nut, metal
10B.....	WI-57176	.....	Nut, nylon
11.....	WI-75173	.....	Tank, main housing
12.....	WI-57049	.....	Nut, locking
13.....	WI-48062	.....	Latch & Keeper
14.....	WI-70056	.....	Screw
15.....	WI-50535	.....	Label, vac pac main
16.....	WI-34203	.....	Filter, vac intake
17.....	WI-14803	.....	Bag, cloth
18.....	WI-14804	.....	Paper Bag
19.....	WI-27622	.....	Cover, rotomold, VP's, VPH's
20.....	WI-39405	.....	Hose
21.....	WI-57030	.....	Nut
22.....	WI-14854	.....	Bracket, shoulder straps
23.....	WI-70162	.....	Screw
24.....	WI-27050	.....	Cable Tie, 3 1/2"
25.....	WI-14805	.....	Shoulder Strap, vac pac
26.....	WI-70160	.....	Screw
27.....	WI-62372	.....	Plate, harness
28A.....	WI-50571	.....	Label, warning, VP only
28B.....	WI-50650	.....	Label, warning, VPH only
29A.....	WI-72076	.....	Switch, DPST, rocker
29B.....	WI-72145	.....	Switch, DPST, VPH's
30.....	WI-27376	.....	Clip, switch retaining
31.....	WI-87104	.....	Washer
32.....	WI-34223	.....	Filter, HEPA, w/ gasket, VPH
33.....	WI-50639	.....	Label, HEPA, VPH
34.....	WI-50656	.....	Label, C-UL listing, VP/VPH
35.....	WI-73735	.....	Spacer
36.....	WI-99843	.....	gasket
37.....	WI-67005	.....	Rivet
38.....	WI-62395	.....	Plate, data plate label
39.....	WI-73169	.....	Strain Relief, cord hook

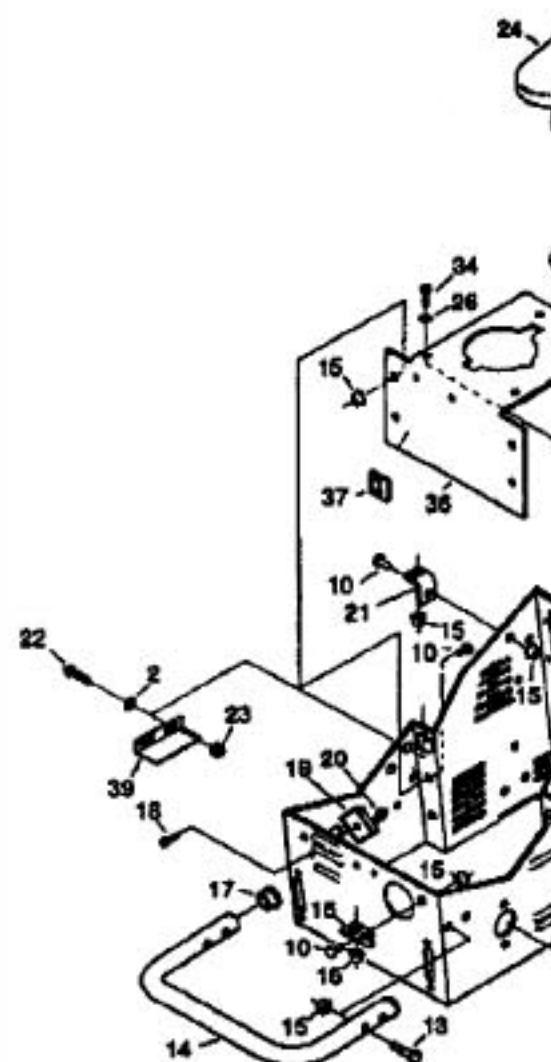


Models: SSS-MST, XR-4, PSP, PSP-ACO, PSP-CB, PSP-J, PSP-PQ

## Brush Drive



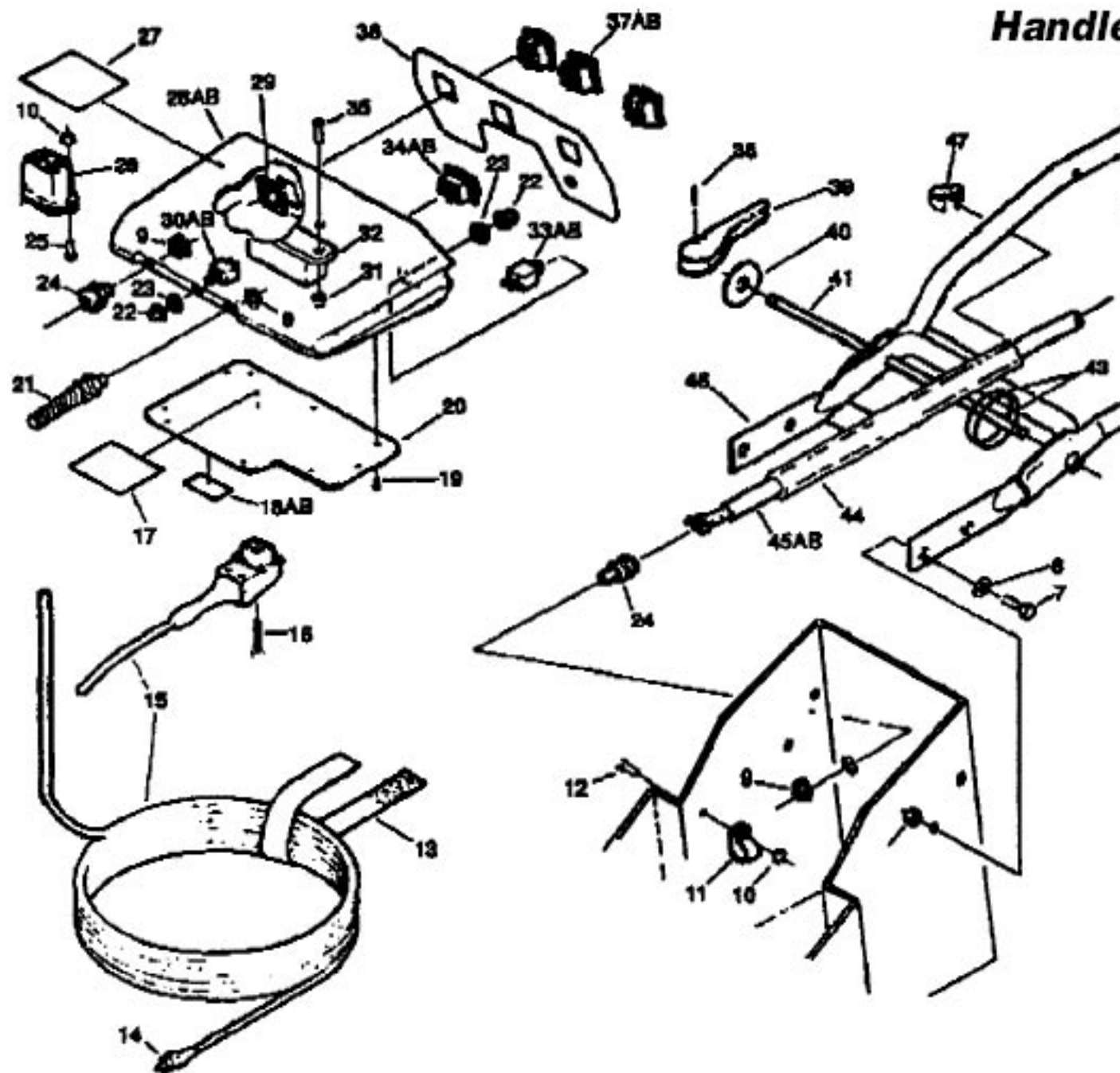
1	WI-03069	Axle, brush
2	WI-12005	Brush
3	WI-27264	Cover, brush pulley
4	WI-70434	Screw
5	WI-70084	Screw
6	WI-64062	Pulley, brush
7	WI-70231	Screw
8	WI-09057	Bearing, brush
9	WI-87018	Washer
10	WI-70213	Screw
12	WI-87016	Washer
13	WI-70031	Screw
14	WI-57104	Nut
15	WI-11026	Belt, brush drive



1	WI-70309	Screw
2	WI-87026	Washer
3	WI-29145	Duct, vac cooling, ex
4	WI-700205	Screw
5	WI-87025	Washer
6	WI-34173	Frame, PSP
7	WI-03035	Axle, wheel
8	WI-89048	Wheel, 8", non-mark
9	WI-87008	Washer
10	WI-70020	Screw
11	WI-50302	Label, valve position
13	WI-70019	Screw
14	WI-38101	Handle, PSP, front li
15	WI-57105	Nut
16	WI-14443	Bracket, PSP tank fr
17	WI-66016	Plug
18	WI-70066	Screw
19	WI-67029	Rectifier
20	WI-57104	Nut
21	WI-14316	Bracket, PSP tank, r
22	WI-70067	Screw
23	WI-57116	Nut
24	WI-29141	Duct, vac cooling, in
25	WI-70191	Screw
26	WI-87016	Washer
27	WI-88184	Wire
28	WI-35080	Gasket, vac, upper

Models: SSS-MST, XR-4, PSP, PSP-ACO, PSP-CB, PSP-J, PSP-PQ

Handle



1	WI-70253	Screw
2	WI-50279	Label, ground symbol
3	WI-70092	Screw
4		Instruction Card
5	WI-38102	Handle, upper, main
6	WI-87013	Washer
7	WI-70011	Screw
8	WI-57047	Nut
9	WI-57040	Nut
10	WI-57104	Nut
11	WI-20054	Clamp
12	WI-70088	Screw
13	WI-73175	Strap, 12", velcro
14		Cord End Only
15	WI-23121	Main Cord Assy
15	WI-23502	Main Cord Assy, SSS-MST
15	WI-23146	Main Cord Assy, PSP-CB
16	WI-70199	Screw
17A	WI-50532	Label, wiring, 115V

17B	WI-50453	Label, wiring, 230V
18A	WI-50178	Label, protect from freezing
18B	WI-50556	label, prtct frm freez, japan
19	WI-70082	Screw
20	WI-62153	Plate, access panel
21	WI-73200	Strain Relief
22	WI-14942	Boot, circuit breaker
23	WI-57024	Nut
24	WI-73195	Strain Relief
25	WI-70211	Screw
26	WI-26032	Receptacle, 240V, VDE
27	WI-50184	Label, WINDSOR
28A	WI-61215	Panel, 115V control
28B	WI-61180	Panel, 230V control
29	WI-27376	Clip, switch, retaining
30A	WI-14700	Breaker, 15A circuit
30B	WI-14312	Breaker, 7A circuit
31	WI-57106	Nut
32	WI-14022	Terminal Block, 115/230V

33A	WI-1419
33B	WI-1430
34A	WI-7206
34B	WI-7207
35	WI-7025
36	WI-5045
37A	WI-7206
37B	WI-7206
38	WI-6608
39	WI-5105
40	WI-8708
41	WI-6709
42	WI-7316
43	WI-5900
44	WI-3606
45	WI-8839
45	WI-8864
46	WI-3810
47	WI-2737

Models: SSS-MST, XR-4, PSP, PSP-ACO, PSP-CB, PSP-J, PSP-PQ

3	WI-85033	Vac Shoe, w/o pointer
4	WI-87029	Washer
5	WI-70296	Shoulder Bolt
6	WI-57022	Nut
7	WI-67131	Rod, pivot
8	WI-73480	Spacer, vac lift
9	WI-70294	Shoulder Bolt
10	WI-66031	Pin
11	WI-14506	Block, height adjustment
12	WI-70417	Adjustment Screw
13	WI-57022	Nut
14	WI-48025	Height Adjustment Knob
16	WI-14508	Mounting Block, height adj
17	WI-70162	Screw
18	WI-70292	Shoulder Bolt
20	WI-87025	Washer
21	WI-70020	Screw
22	WI-57104	Nut
23	WI-20063	Clamp
24	WI-39338	Hose, 1" x 45°, blue, vac
25	WI-14042	Bushing
26	WI-70419	Screw
27	WI-34173	Frame
28	WI-14817	Bracket, vac shoe adjustment
29	WI-57047	Nut

