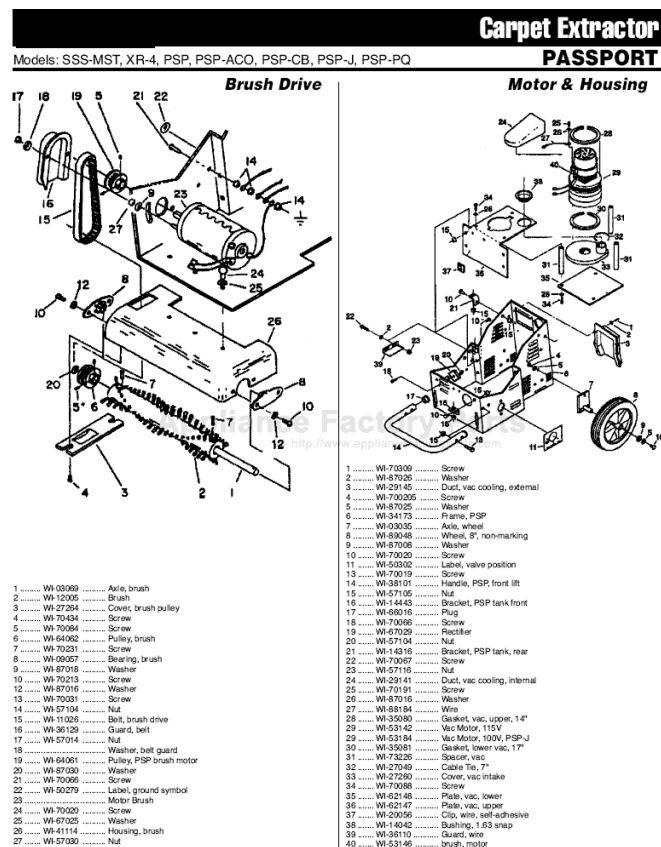


Windsor PASSPORT XR-4 Owner's Manual

[Shop genuine replacement parts for Windsor
PASSPORT XR-4](#)

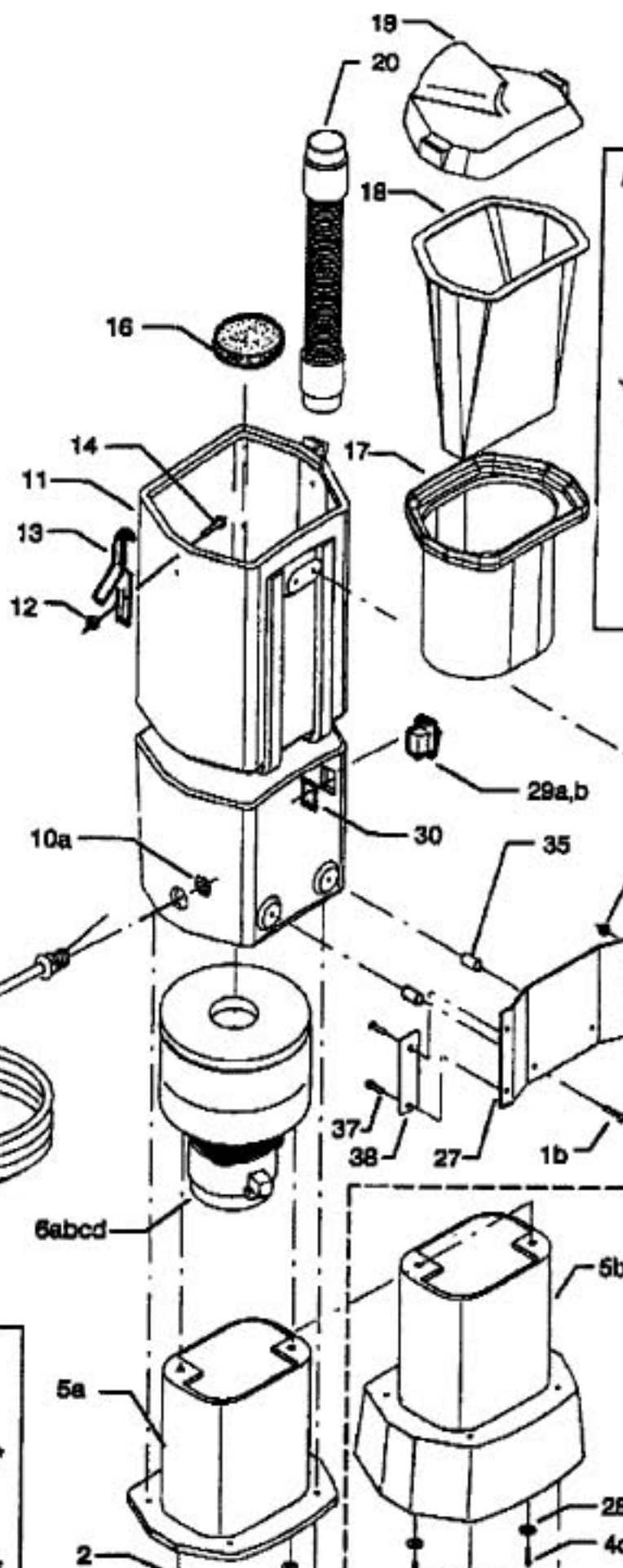


[Find Your Windsor Vacuum Cleaner Parts - Select From 26 Models](#)

----- Manual continues below -----

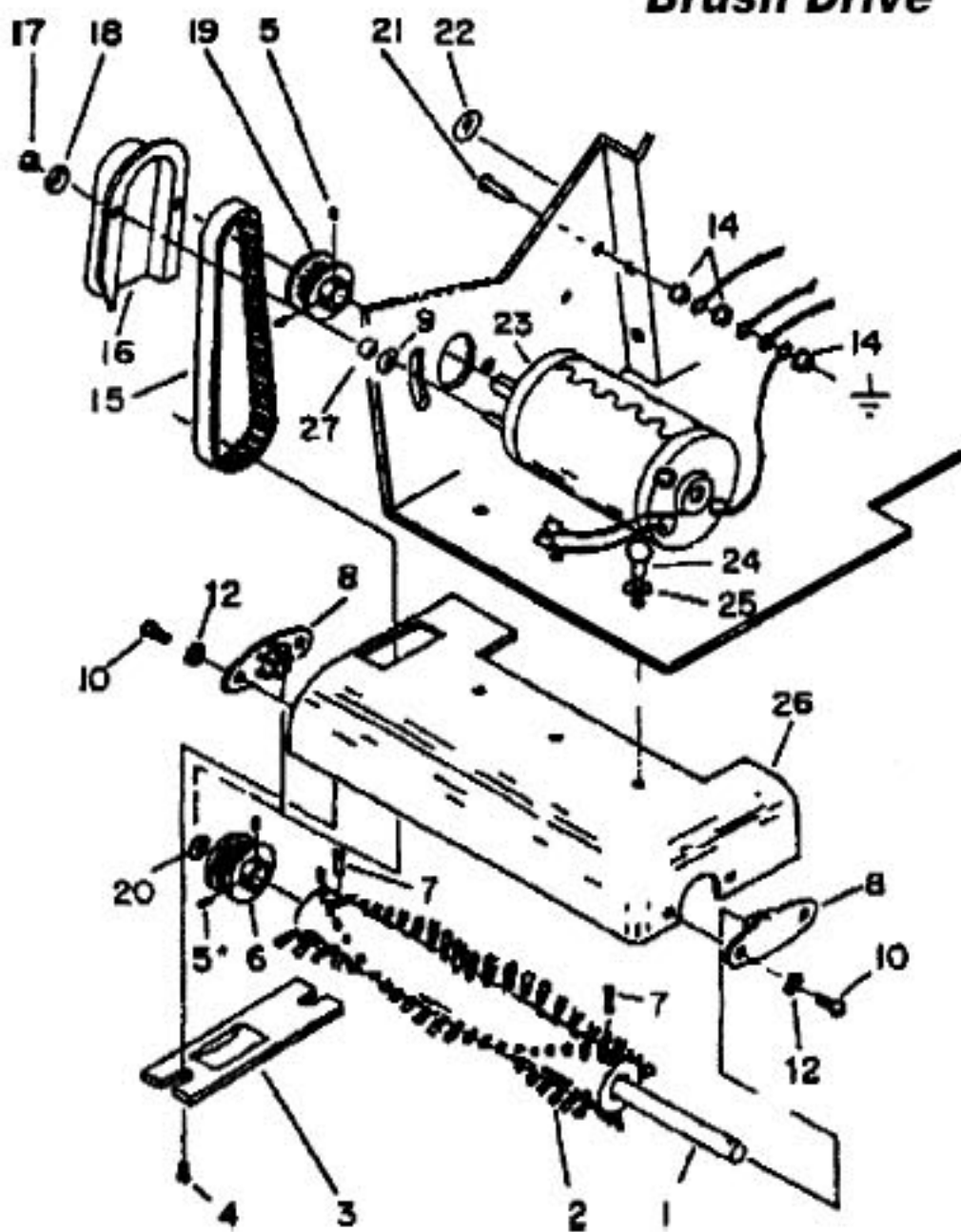
Models: VAC PAC VP, VP-J, VPH, VPH-J

| | | | |
|----------|----------|-------|-----------------------------------|
| 1A..... | WI-70021 | | Screw |
| 1B..... | WI-70092 | | Screw |
| 2..... | WI-87018 | | Washer |
| 3A..... | WI-08049 | | Base, VP's |
| 3B..... | WI-08046 | | Base, VPH's |
| 4A..... | WI-70160 | | Screw |
| 4B..... | WI-70114 | | Screw, VPJ |
| 4C..... | WI-70088 | | Screw, VPH's |
| 5A..... | WI-71107 | | Support, motor, VP's |
| 5B..... | WI-7115 | | Support, motor, VPH's |
| 6A..... | WI-53738 | | Vac Motor Assy, 115V |
| 6B..... | WI-53575 | | Vac Motor Assy, 100V |
| 6C..... | WI-53576 | | Vac Motor Assy, 115V, HEPA |
| 6D..... | WI-53777 | | Vac Motor Assy, 110V, HEPA |
| 7..... | WI-88657 | | Wire Assy, 18/3, VPH 115V |
| 8..... | WI-23511 | | Cord Assy, 18/3, 40', SJT |
| 9..... | WI-57104 | | Nut |
| 10A..... | WI-57208 | | Nut, metal |
| 10B..... | WI-57176 | | Nut, nylon |
| 11..... | WI-75173 | | Tank, main housing |
| 12..... | WI-57049 | | Nut, locking |
| 13..... | WI-48062 | | Latch & Keeper |
| 14..... | WI-70056 | | Screw |
| 15..... | WI-50535 | | Label, vac pac main |
| 16..... | WI-34203 | | Filter, vac intake |
| 17..... | WI-14803 | | Bag, cloth |
| 18..... | WI-14804 | | Paper Bag |
| 19..... | WI-27622 | | Cover, rotomold, VP's, VPH's |
| 20..... | WI-39405 | | Hose |
| 21..... | WI-57030 | | Nut |
| 22..... | WI-14854 | | Bracket, shoulder straps |
| 23..... | WI-70162 | | Screw |
| 24..... | WI-27050 | | Cable Tie, 3 1/2" |
| 25..... | WI-14805 | | Shoulder Strap, vac pac |
| 26..... | WI-70160 | | Screw |
| 27..... | WI-62372 | | Plate, harness |
| 28A..... | WI-50571 | | Label, warning, VP only |
| 28B..... | WI-50650 | | Label, warning, VPH only |
| 29A..... | WI-72076 | | Switch, DPST, rocker |
| 29B..... | WI-72145 | | Switch, DPST, VPH's |
| 30..... | WI-27376 | | Clip, switch retaining |
| 31..... | WI-87104 | | Washer |
| 32..... | WI-34223 | | Filter, HEPA, w/ gasket, VPH |
| 33..... | WI-50639 | | Label, HEPA, VPH |
| 34..... | WI-50656 | | Label, C-UL listing, VP/VPH |
| 35..... | WI-73735 | | Spacer |
| 36..... | WI-99843 | | gasket |
| 37..... | WI-67005 | | Rivet |
| 38..... | WI-62395 | | Plate, data plate label |
| 39..... | WI-73169 | | Strain Relief, cord hook |

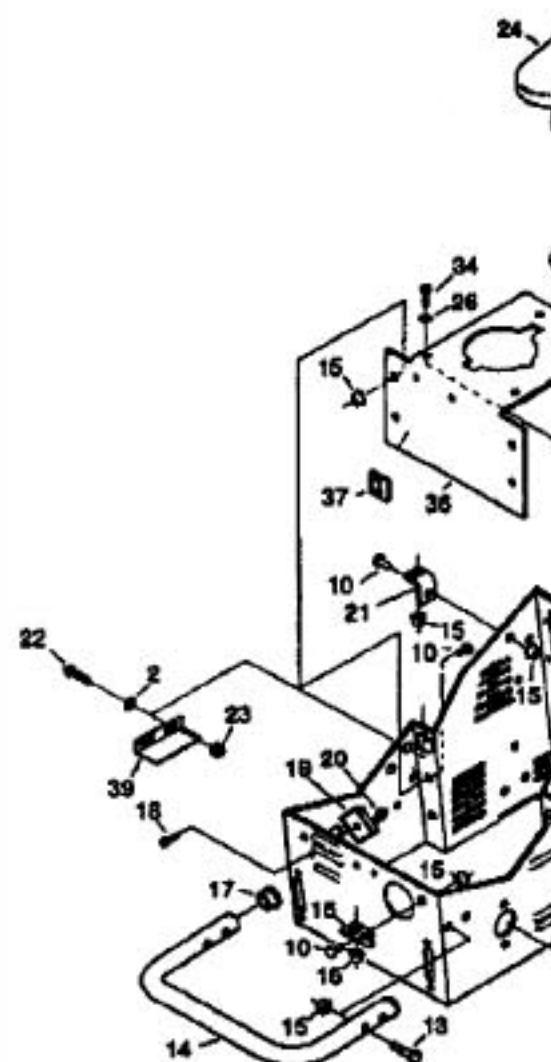


Models: SSS-MST, XR-4, PSP, PSP-ACO, PSP-CB, PSP-J, PSP-PQ

Brush Drive



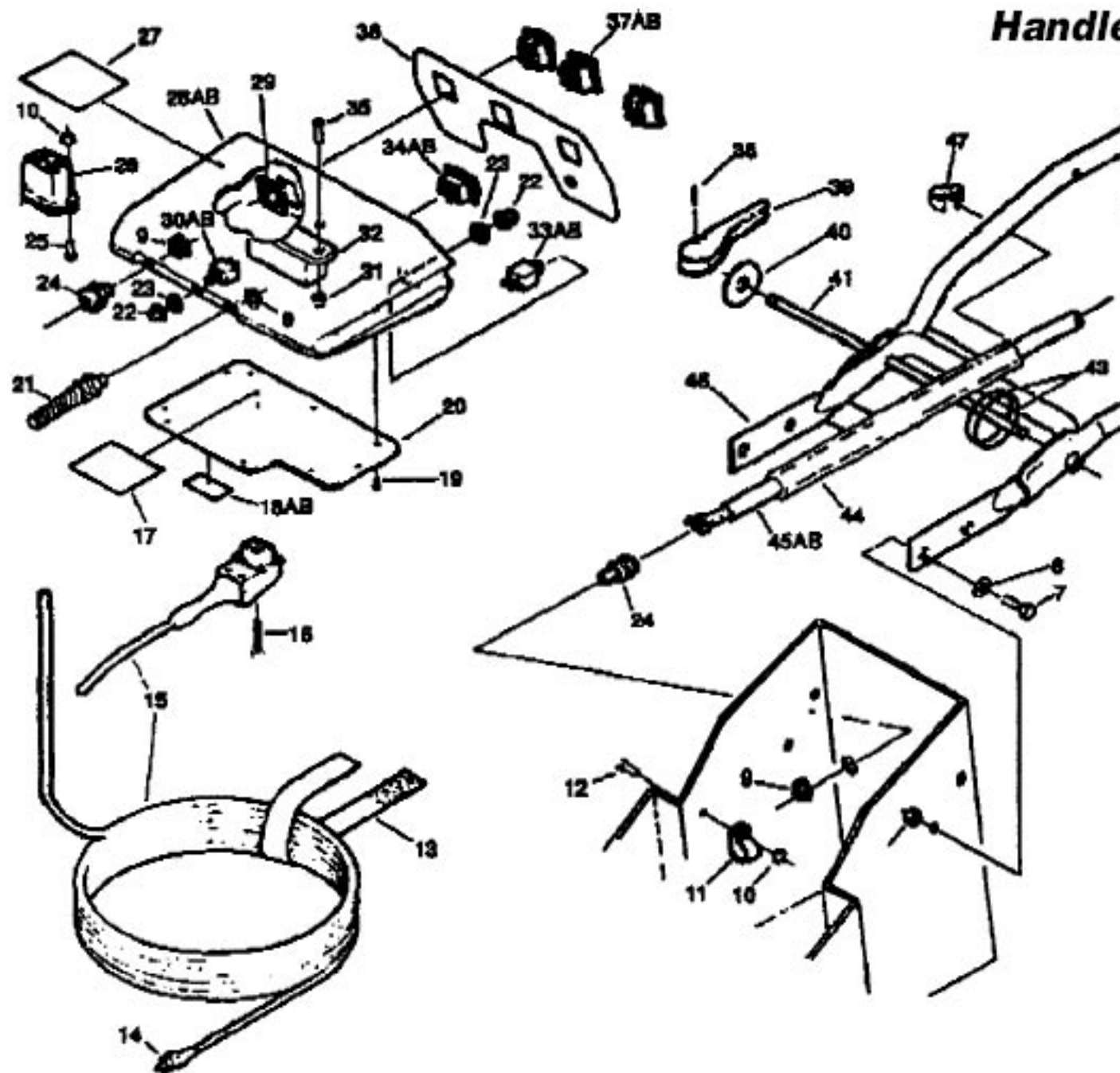
| | | |
|----|----------|---------------------|
| 1 | WI-03069 | Axle, brush |
| 2 | WI-12005 | Brush |
| 3 | WI-27264 | Cover, brush pulley |
| 4 | WI-70434 | Screw |
| 5 | WI-70084 | Screw |
| 6 | WI-64062 | Pulley, brush |
| 7 | WI-70231 | Screw |
| 8 | WI-09057 | Bearing, brush |
| 9 | WI-87018 | Washer |
| 10 | WI-70213 | Screw |
| 12 | WI-87016 | Washer |
| 13 | WI-70031 | Screw |
| 14 | WI-57104 | Nut |
| 15 | WI-11026 | Belt, brush drive |



| | | |
|----|-----------|-----------------------|
| 1 | WI-70309 | Screw |
| 2 | WI-87026 | Washer |
| 3 | WI-29145 | Duct, vac cooling, ex |
| 4 | WI-700205 | Screw |
| 5 | WI-87025 | Washer |
| 6 | WI-34173 | Frame, PSP |
| 7 | WI-03035 | Axle, wheel |
| 8 | WI-89048 | Wheel, 8", non-mark |
| 9 | WI-87008 | Washer |
| 10 | WI-70020 | Screw |
| 11 | WI-50302 | Label, valve position |
| 13 | WI-70019 | Screw |
| 14 | WI-38101 | Handle, PSP, front li |
| 15 | WI-57105 | Nut |
| 16 | WI-14443 | Bracket, PSP tank fr |
| 17 | WI-66016 | Plug |
| 18 | WI-70066 | Screw |
| 19 | WI-67029 | Rectifier |
| 20 | WI-57104 | Nut |
| 21 | WI-14316 | Bracket, PSP tank, r |
| 22 | WI-70067 | Screw |
| 23 | WI-57116 | Nut |
| 24 | WI-29141 | Duct, vac cooling, in |
| 25 | WI-70191 | Screw |
| 26 | WI-87016 | Washer |
| 27 | WI-88184 | Wire |
| 28 | WI-35080 | Gasket, vac, upper |

Models: SSS-MST, XR-4, PSP, PSP-ACO, PSP-CB, PSP-J, PSP-PQ

Handle



| | | |
|-----|----------|-------------------------|
| 1 | WI-70253 | Screw |
| 2 | WI-50279 | Label, ground symbol |
| 3 | WI-70092 | Screw |
| 4 | | Instruction Card |
| 5 | WI-38102 | Handle, upper, main |
| 6 | WI-87013 | Washer |
| 7 | WI-70011 | Screw |
| 8 | WI-57047 | Nut |
| 9 | WI-57040 | Nut |
| 10 | WI-57104 | Nut |
| 11 | WI-20054 | Clamp |
| 12 | WI-70088 | Screw |
| 13 | WI-73175 | Strap, 12", velcro |
| 14 | | Cord End Only |
| 15 | WI-23121 | Main Cord Assy |
| 15 | WI-23502 | Main Cord Assy, SSS-MST |
| 15 | WI-23146 | Main Cord Assy, PSP-CB |
| 16 | WI-70199 | Screw |
| 17A | WI-50532 | Label, wiring, 115V |

| | | |
|-----|----------|-------------------------------|
| 17B | WI-50453 | Label, wiring, 230V |
| 18A | WI-50178 | Label, protect from freezing |
| 18B | WI-50556 | label, prtct frm freez, japan |
| 19 | WI-70082 | Screw |
| 20 | WI-62153 | Plate, access panel |
| 21 | WI-73200 | Strain Relief |
| 22 | WI-14942 | Boot, circuit breaker |
| 23 | WI-57024 | Nut |
| 24 | WI-73195 | Strain Relief |
| 25 | WI-70211 | Screw |
| 26 | WI-26032 | Receptacle, 240V, VDE |
| 27 | WI-50184 | Label, WINDSOR |
| 28A | WI-61215 | Panel, 115V control |
| 28B | WI-61180 | Panel, 230V control |
| 29 | WI-27376 | Clip, switch, retaining |
| 30A | WI-14700 | Breaker, 15A circuit |
| 30B | WI-14312 | Breaker, 7A circuit |
| 31 | WI-57106 | Nut |
| 32 | WI-14022 | Terminal Block, 115/230V |

| | | |
|-----|---------|--|
| 33A | WI-1419 | |
| 33B | WI-1430 | |
| 34A | WI-7206 | |
| 34B | WI-7207 | |
| 35 | WI-7025 | |
| 36 | WI-5045 | |
| 37A | WI-7206 | |
| 37B | WI-7206 | |
| 38 | WI-6608 | |
| 39 | WI-5105 | |
| 40 | WI-8708 | |
| 41 | WI-6709 | |
| 42 | WI-7316 | |
| 43 | WI-5900 | |
| 44 | WI-3606 | |
| 45 | WI-8839 | |
| 45 | WI-8864 | |
| 46 | WI-3810 | |
| 47 | WI-2737 | |

Models: SSS-MST, XR-4, PSP, PSP-ACO, PSP-CB, PSP-J, PSP-PQ

| | | |
|----|----------|------------------------------|
| 3 | WI-85033 | Vac Shoe, w/o pointer |
| 4 | WI-87029 | Washer |
| 5 | WI-70296 | Shoulder Bolt |
| 6 | WI-57022 | Nut |
| 7 | WI-67131 | Rod, pivot |
| 8 | WI-73480 | Spacer, vac lift |
| 9 | WI-70294 | Shoulder Bolt |
| 10 | WI-66031 | Pin |
| 11 | WI-14506 | Block, height adjustment |
| 12 | WI-70417 | Adjustment Screw |
| 13 | WI-57022 | Nut |
| 14 | WI-48025 | Height Adjustment Knob |
| 16 | WI-14508 | Mounting Block, height adj |
| 17 | WI-70162 | Screw |
| 18 | WI-70292 | Shoulder Bolt |
| 20 | WI-87025 | Washer |
| 21 | WI-70020 | Screw |
| 22 | WI-57104 | Nut |
| 23 | WI-20063 | Clamp |
| 24 | WI-39338 | Hose, 1" x 45", blue, vac |
| 25 | WI-14042 | Bushing |
| 26 | WI-70419 | Screw |
| 27 | WI-34173 | Frame |
| 28 | WI-14817 | Bracket, vac shoe adjustment |
| 29 | WI-57047 | Nut |

