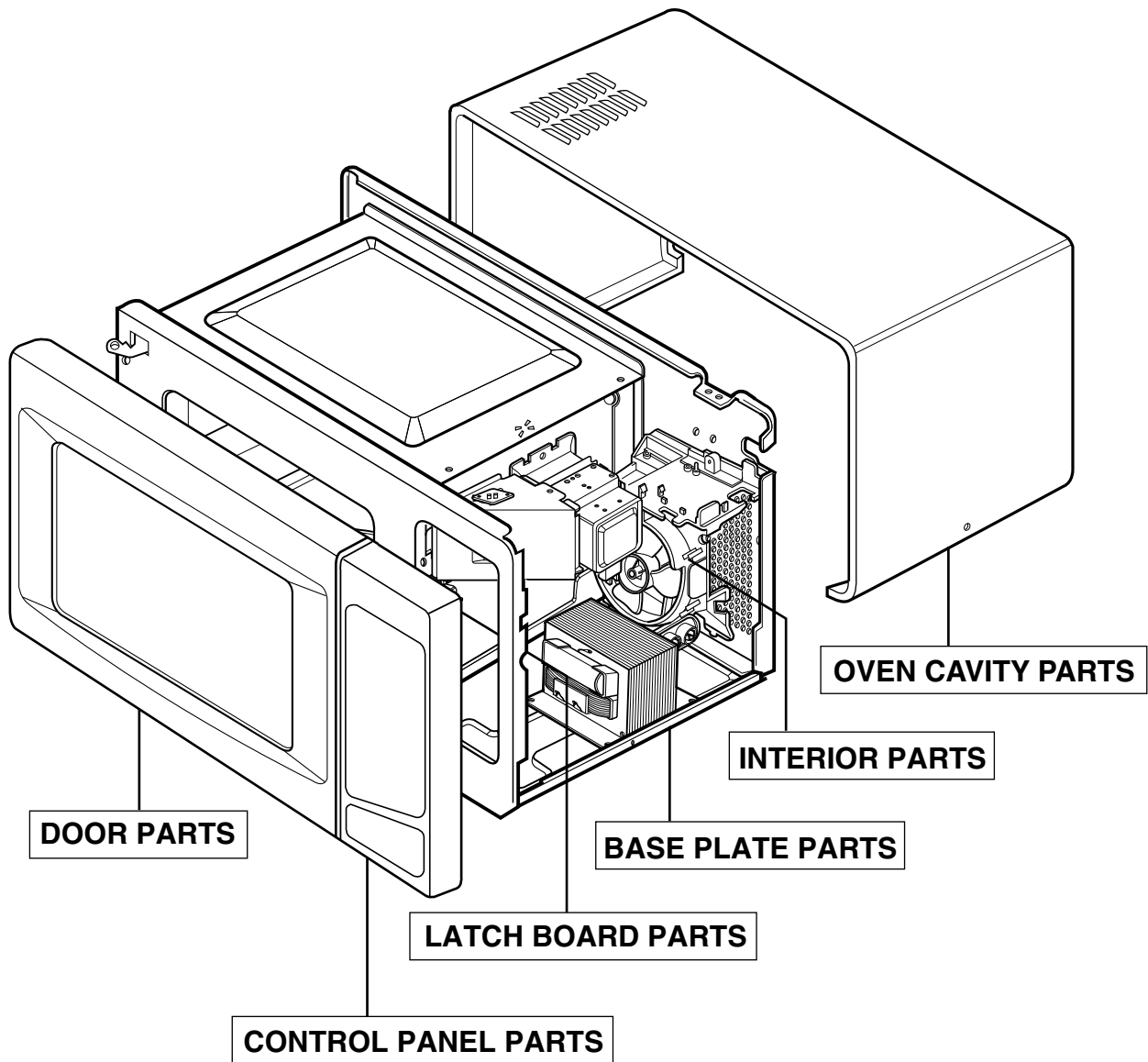


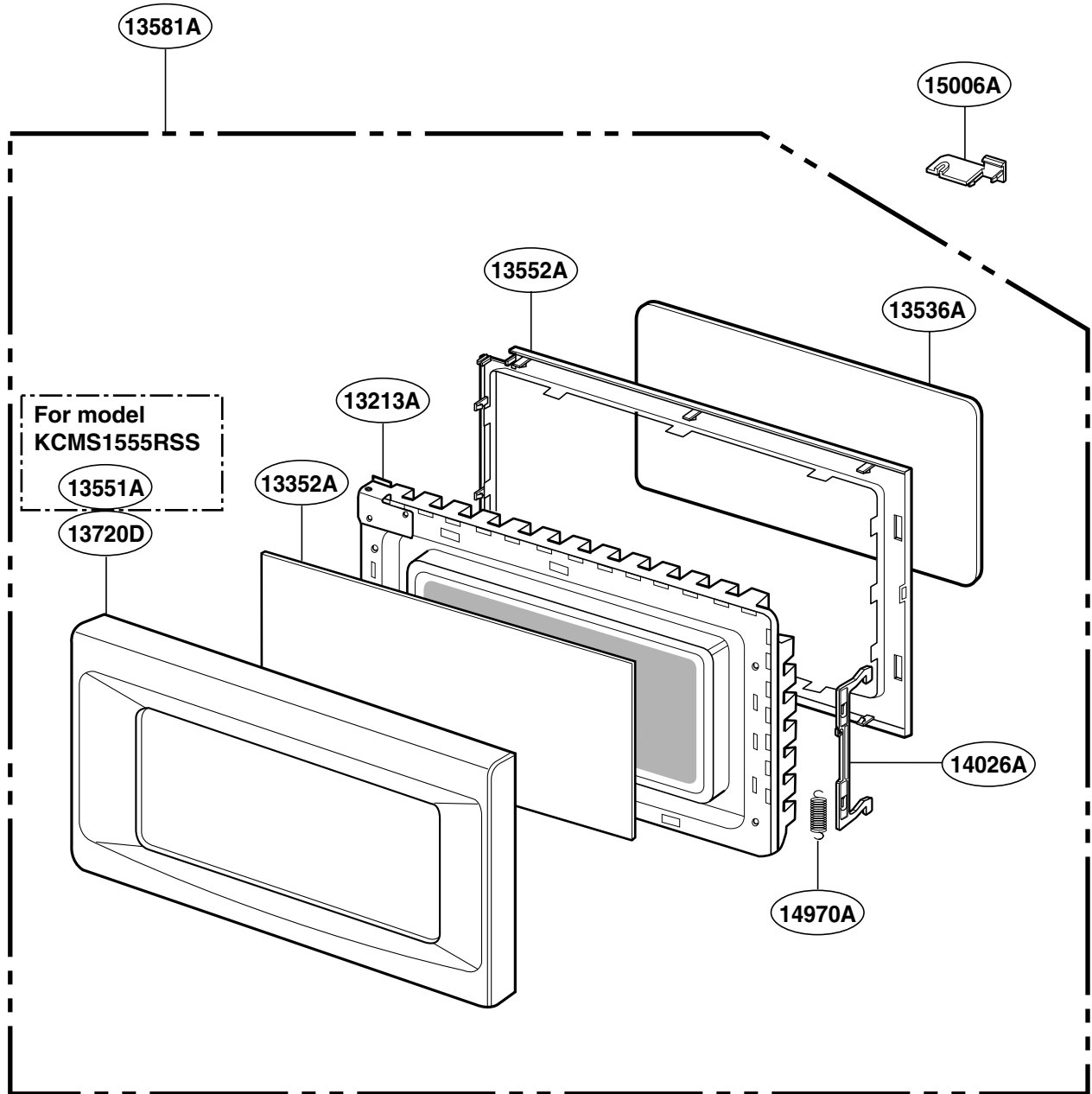
EXPLODED VIEW

INTRODUCTION

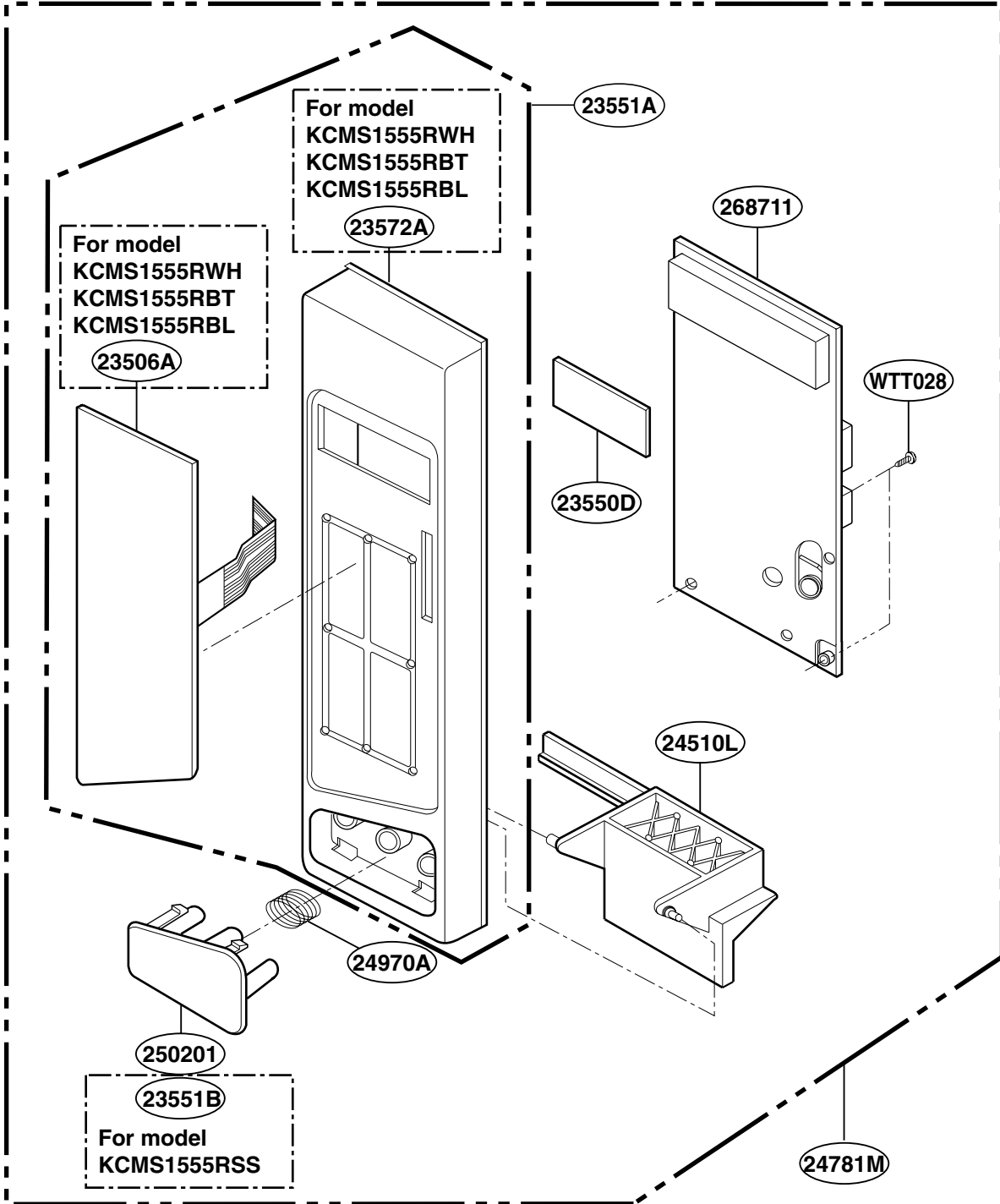
Model : KCMS1555R



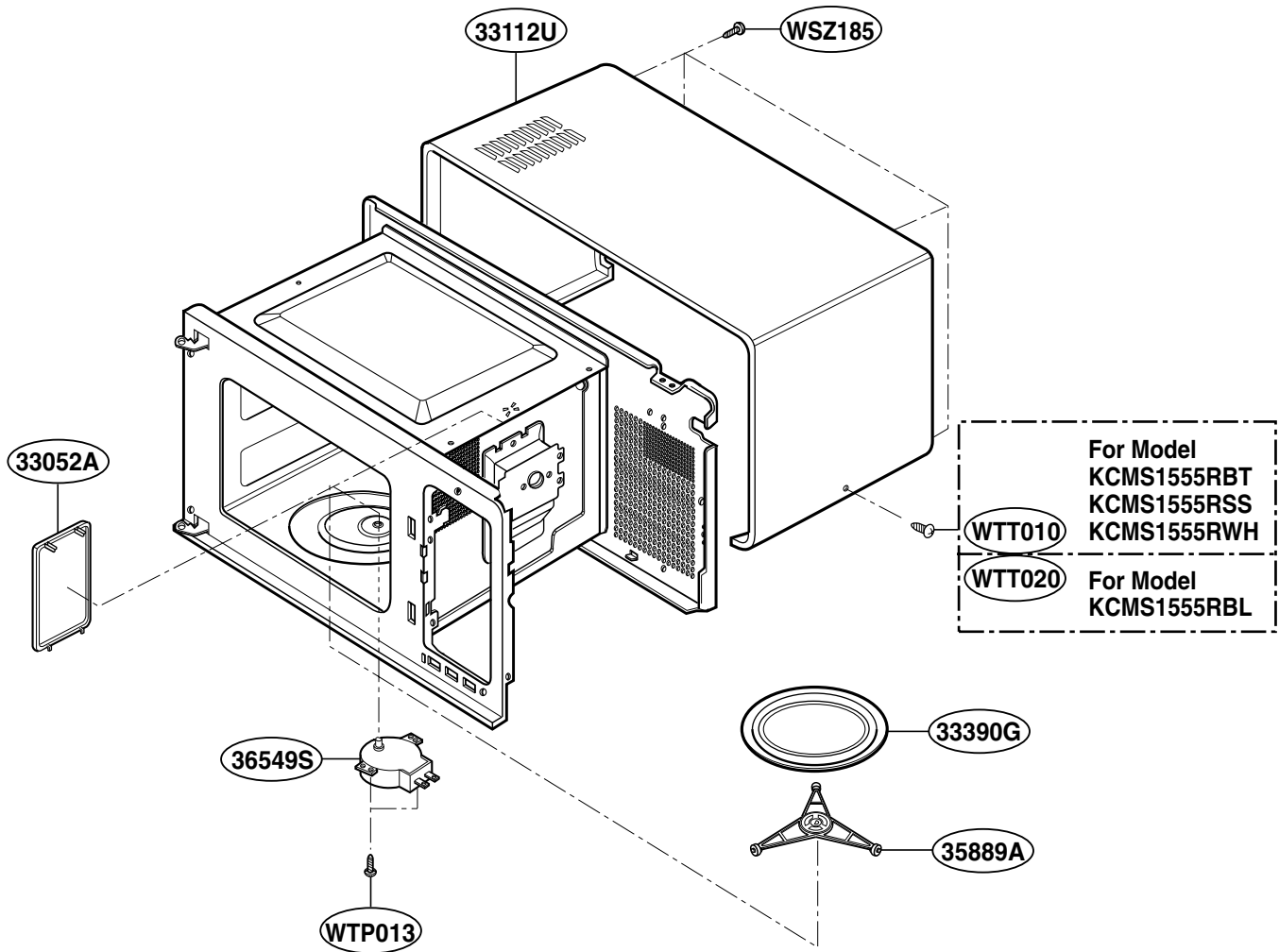
DOOR PARTS



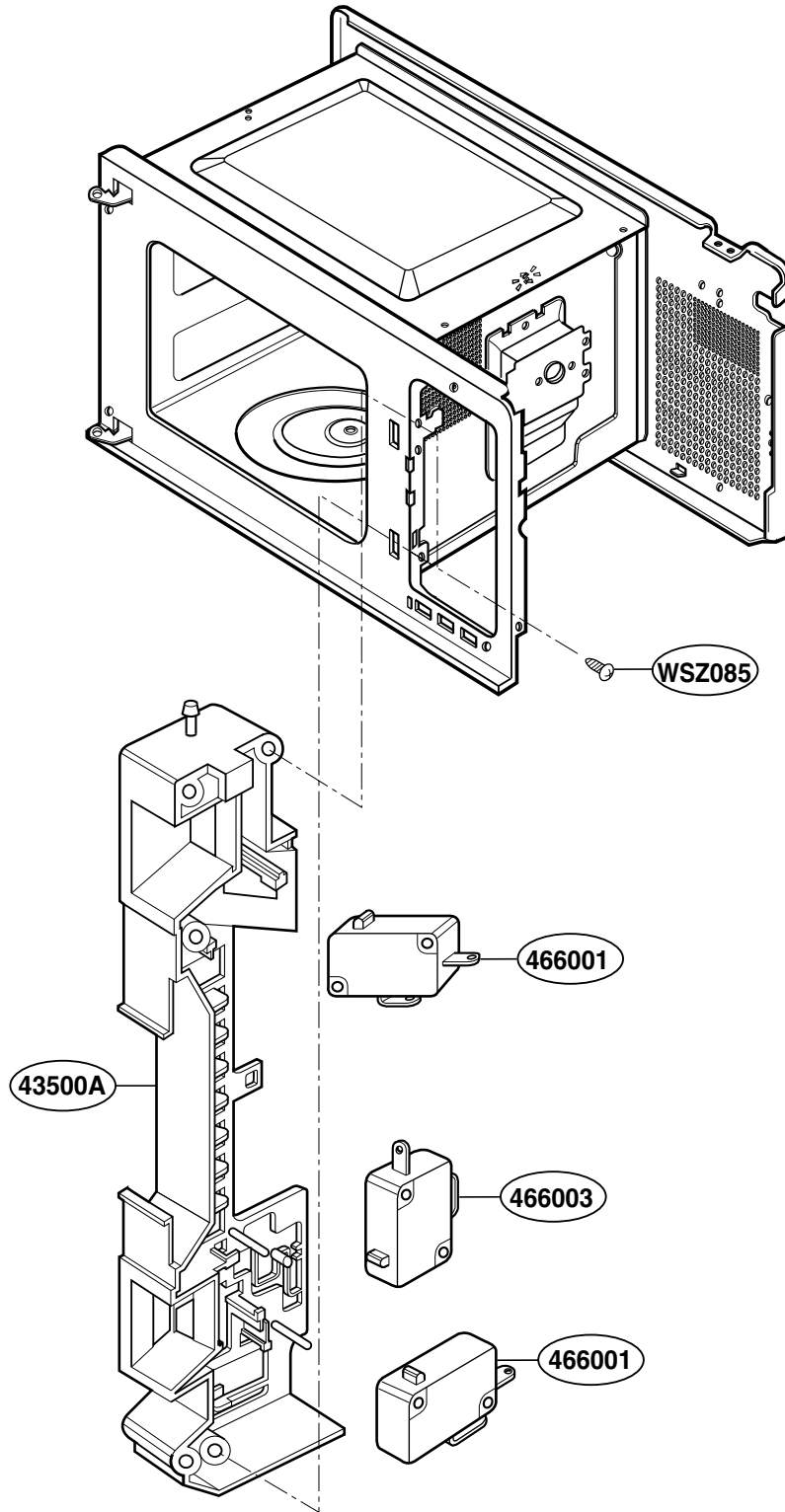
CONTROL PANEL PARTS



OVEN CAVITY PARTS



LATCH BOARD PARTS

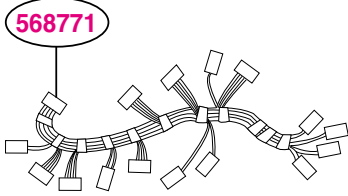


INTERIOR PARTS (I)

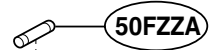
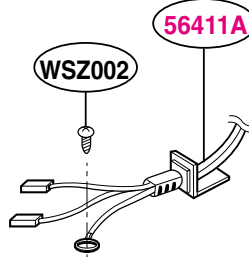
Model: KCMS1555RWH-0
KCMS1555RBL-0
KCMS1555RBT-0
KCMS1555RSS-0

Check the rating label of **Model** and order SVC parts according to the **Model No. E.C.N.**

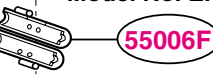
* Check the Rating
Model No. E.C.N.



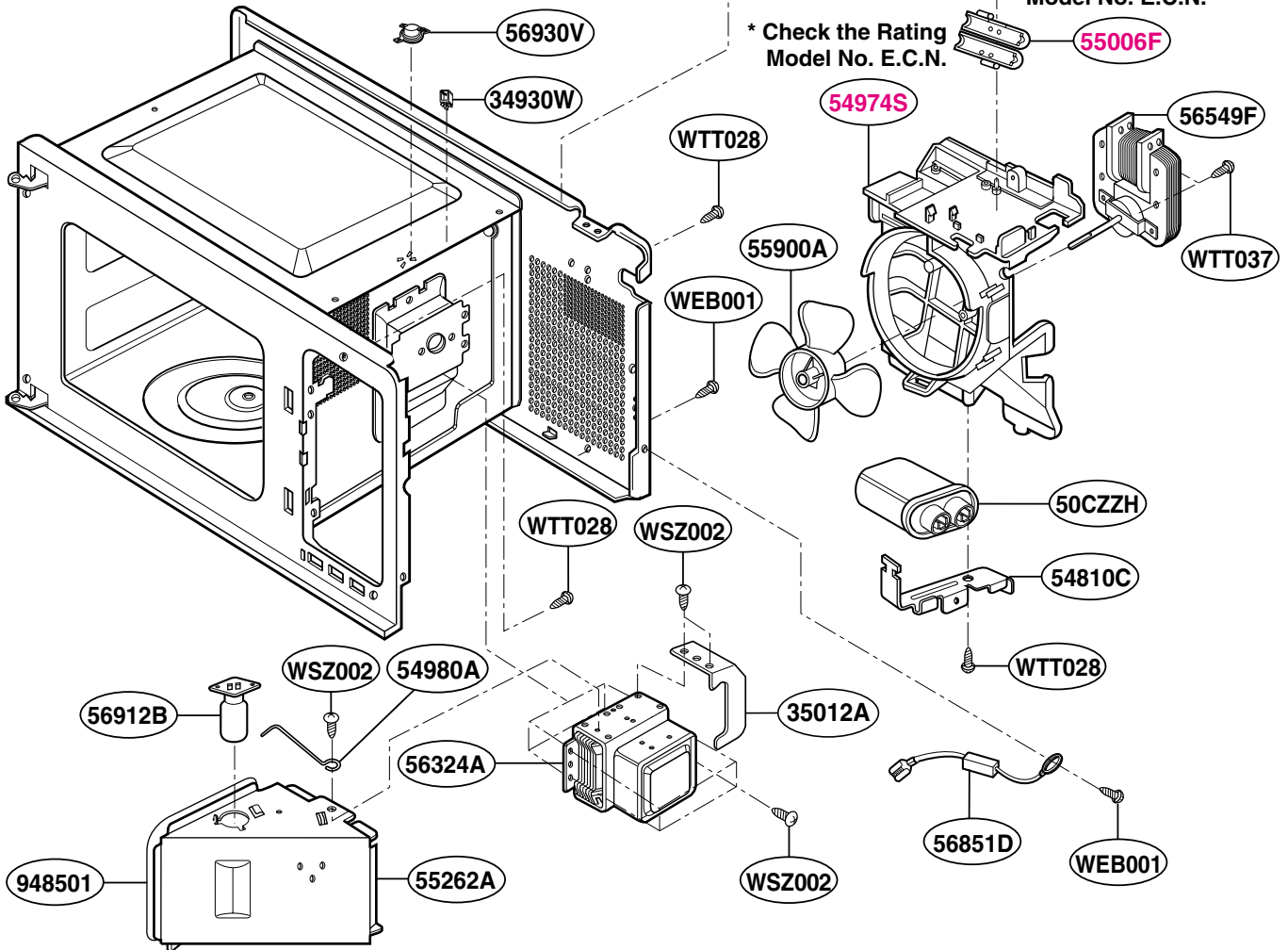
* Check the Rating
Model No. E.C.N.



* Check the Rating
Model No. E.C.N.



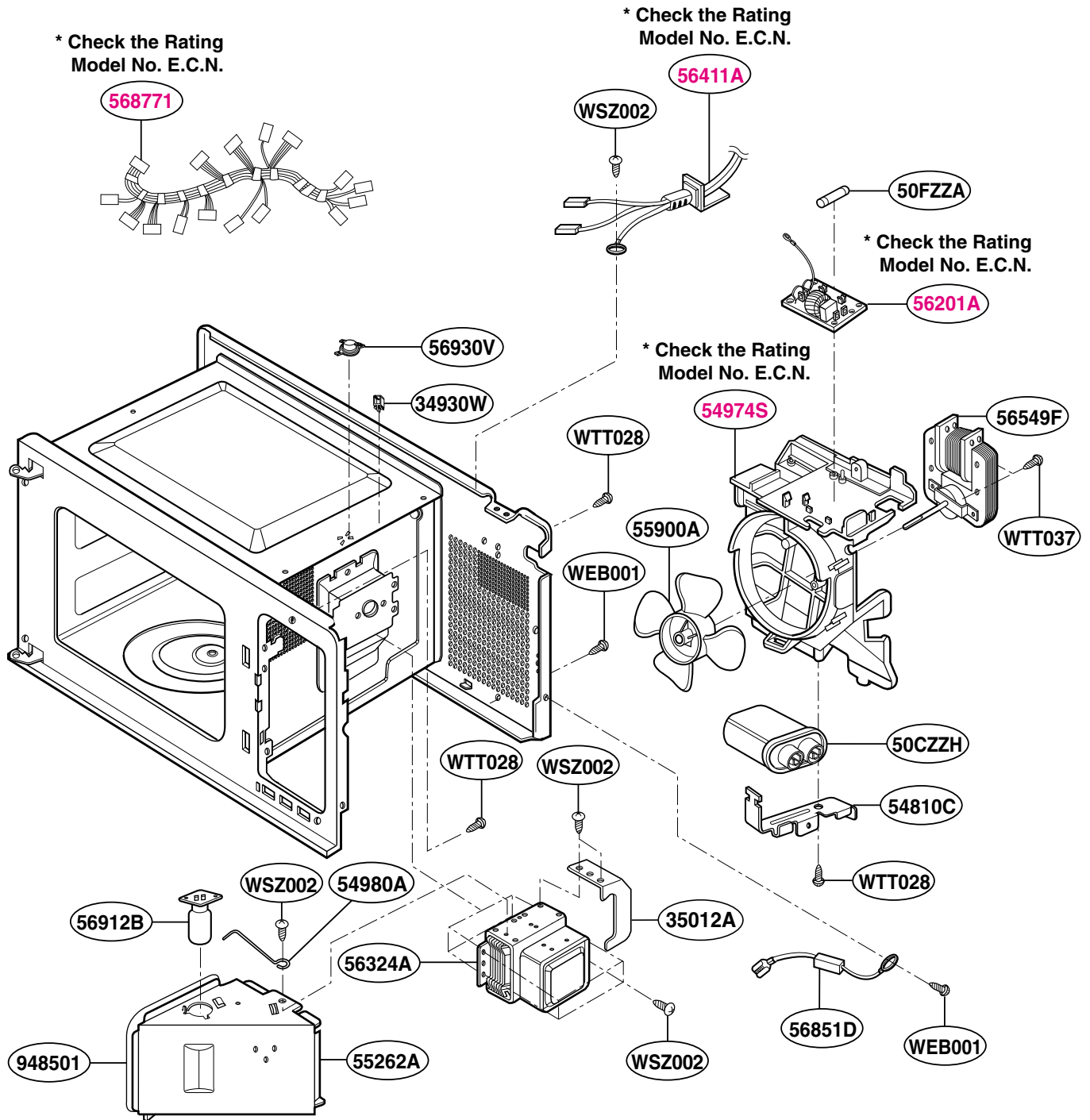
* Check the Rating
Model No. E.C.N.



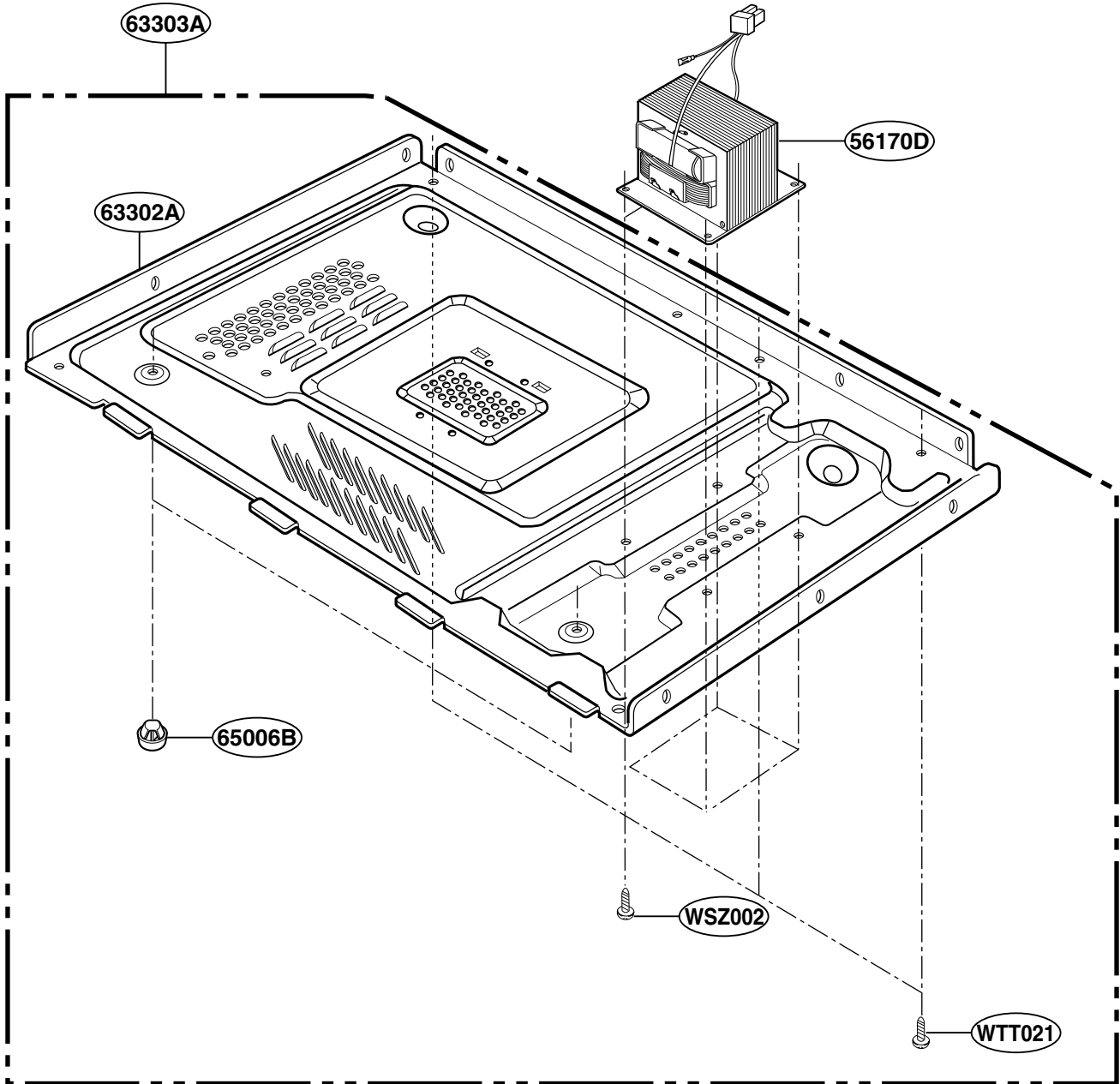
INTERIOR PARTS (II)

Model: KCMS1555RWH-1
KCMS1555RBL-1
KCMS1555RBT-1
KCMS1555RSS-1

Check the rating label of **Model** and order
SVC parts according to the **Model No. E.C.N.**



BASE PLATE PARTS



SENSOR PARTS

