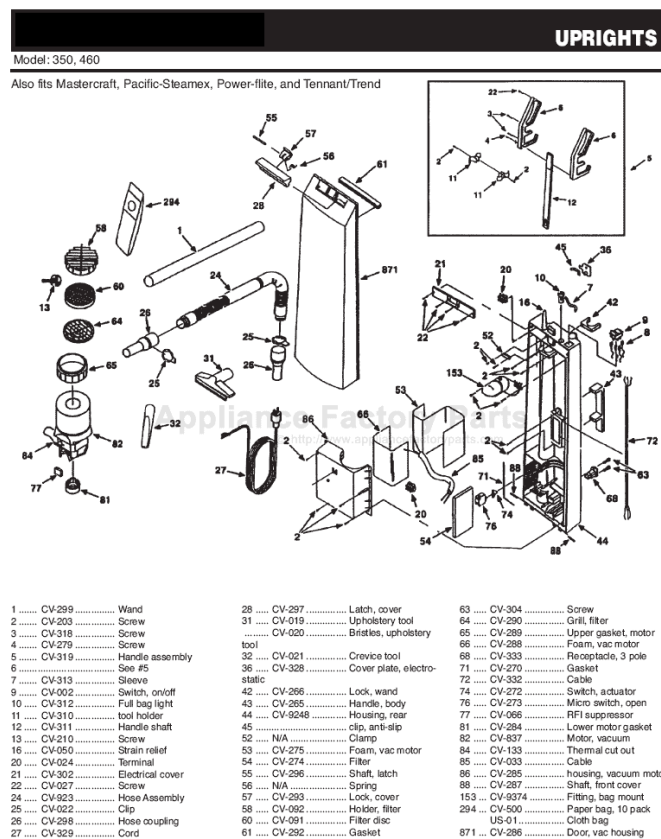


This Owner's Manual is provided and hosted by [Appliance Factory Parts](#).



# US FLOOR DM 350 Owner's Manual

[Shop genuine replacement parts for US FLOOR DM 350](#)

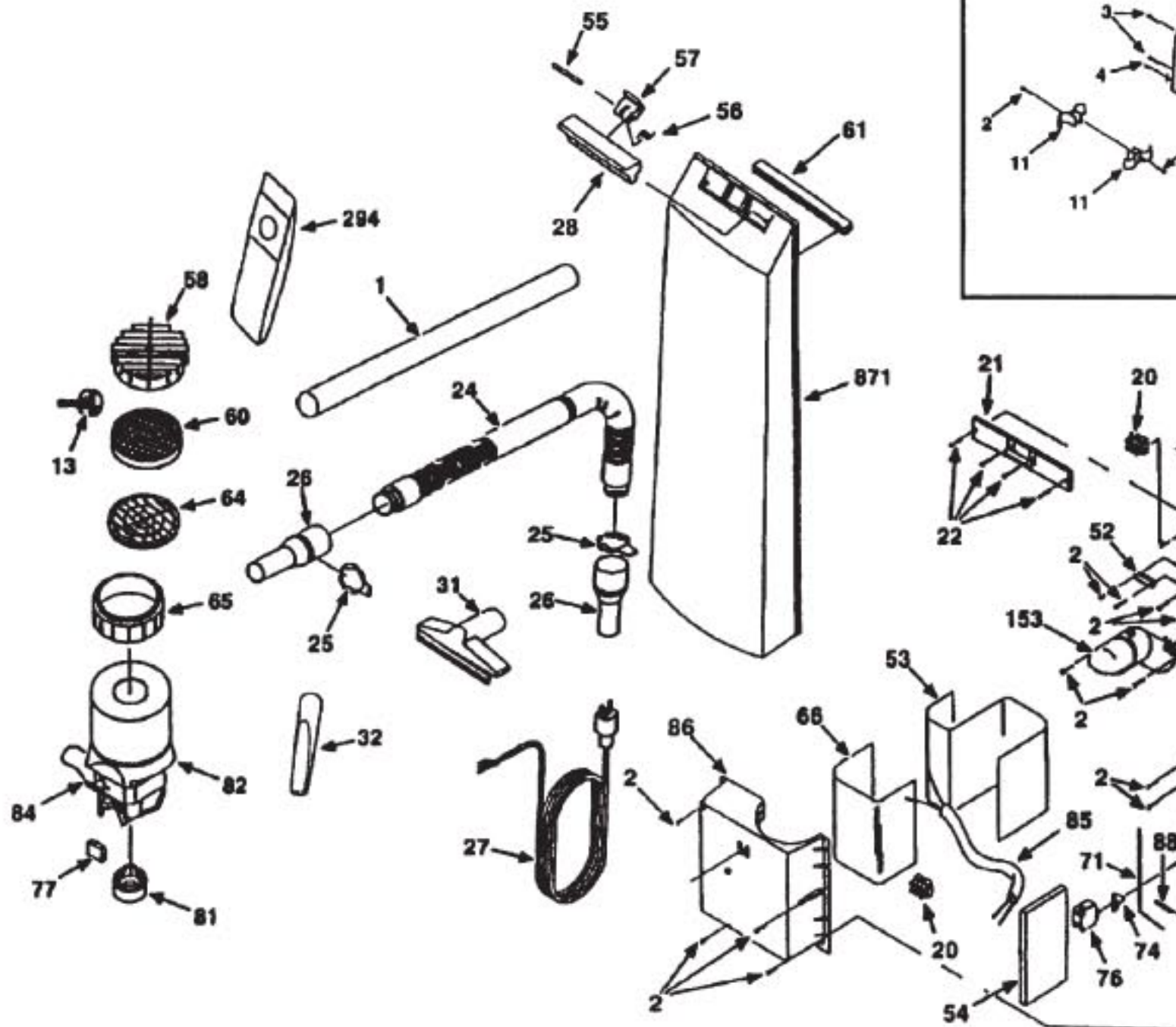


[Find Your US FLOOR Vacuum Cleaner Parts - Select From 2 Models](#)

----- Manual continues below -----

Model: 350, 460

Also fits Mastercraft, Pacific-Steamex, Power-lite, and Tennant/Trend



- |                                      |   |                 |
|--------------------------------------|---|-----------------|
| 1 ..... CV-299 ..... Wand            | 28 ..... CV-297 ..... Latch, cover          | 63 ..... CV-304 |
| 2 ..... CV-203 ..... Screw           | 31 ..... CV-019 ..... Upholstery tool       | 64 ..... CV-290 |
| 3 ..... CV-318 ..... Screw           | ..... CV-020 ..... Bristles, upholstery     | 65 ..... CV-289 |
| 4 ..... CV-279 ..... Screw           | tool  | 66 ..... CV-288 |
| 5 ..... CV-319 ..... Handle assembly | 32 ..... CV-021 ..... Crevice tool          | 68 ..... CV-333 |
| 6 ..... See #5                       | 36 ..... CV-328 ..... Cover plate, electro- | 71 ..... CV-270 |
| 7 ..... CV-313 ..... Sleeve          | static                                      | 72 ..... CV-332 |
| 9 ..... CV-002 ..... Switch, on/off  | 42 ..... CV-266 ..... Lock, wand            | 74 ..... CV-272 |
| 10 ..... CV-312 ..... Full bag light | 43 ..... CV-265 ..... Handle, body          | 76 ..... CV-273 |
| 11 ..... CV-310 ..... tool holder    | 44 ..... CV-9248 ..... Housing, rear        | 77 ..... CV-066 |
| 12 ..... CV-311 ..... Handle shaft   | 45 ..... clip, anti-slip                    | 81 ..... CV-284 |

Model: 350, 460

Also fits Mastercraft, Pacific-Steamex, Power-flite, and Tennant/Trend

- 2 ..... CV-276 ..... Screw
- 16 ..... Strain relief
- 20 .... CV-280 ..... Terminal clamp
- 52 ..... Clamp
- 67 .... CV-031 ..... Screw
- 69 .... CV-261 ..... Release, handle
- 70 .... CV-263 ..... Pin
- 73 .... CV-252 ..... Decal, LED
- 78 .... CV-257 ..... Screw, RH
- 79 ..... Screw, LH
- 83 .... CV-253 ..... cover, LED
- 89 .... CV-250 ..... Nozzle housing, upper, 350
- 89 ..... Nozzle housing, upper, 460
- 90 .... CV-326 ..... Lock washer
- 96 .... CV-251 ..... Latch
- 98 .... CV-246 ..... Ring, plastic
- 99 .... CV-243 ..... Micro switch, closed
- 100 ..... Ring, plastic
- 101 .. CV-256 ..... Gasket
- 102 .. CV-255 ..... Swivel, intake
- 103 .. CV-9264 ..... Screw
- 104 ..... Clips
- 105 .. CV-254 ..... Plate, guide
- 106 .. CV-9236 ..... Pulley, brush roll
- 107 ..... Support, brush roll
- 108 .. CV-221 ..... Bearing, brush roll
- 116 .. CV-247 ..... Cover, brush access
- 117 .. CV-231 ..... Brush strip, 350
- 117 ..... Brush strip, 460
- 119 .. CV-9372 ..... Brush roll unit, 350
- 119 .. CV-9372 ..... Brush roll unit, 460
- 122 .. CV-226 ..... Support, brush roll, RH
- 123 .. CV-9237 ..... Pulley, p/h motor
- 124 .. CV-225 ..... Belt
- 125 .. CV-222 ..... ring, rubber
- 126 .. CV-224 ..... Foam
- 127 .. CV-223 ..... Clamp
- 128 .. CV-5277 ..... Motor, power nozzle
- 130 .. CV-327 ..... Control, brush
- 133 .. CV-330 ..... Plug, w/cord, 3-pole
- 136 .. CV-206 ..... Wheel, rear
- 137 .. CV-207 ..... Shaft, wheel
- 138 .. CV-202 ..... Caster, front
- 139 .. CV-203 ..... Spring
- 141 .. CV-205 ..... Knob
- 142 .. CV-9268 ..... Screw
- 143 .. CV-200 ..... Housing, lower, 350
- 143 ..... Housing, lower, 460
- 144 .. CV-208 ..... Bumper, 350
- 144 ..... Bumper, 460
- 145 .. CV-201 ..... Protector, brush, 350
- 145 ..... Protector, brush, 460
- 150 .. CV-262 ..... Spring
- 155 .. CV-373 ..... Screw
- 166 .. CV-133 ..... Thermal overload
- 753 .. CV-260 ..... Bracket, swivel
- 1401 ..... Shaft, front caster, 350
- 1401 ..... Shaft, front caster, 460

