

# CHAR-BROIL® 940X

**Tools needed for assembly:** Phillips Screwdriver & Adjustable Wrench



## CAUTION



THIS UNIT IS HEAVY.  
DO NOT assemble without a helper.

Some parts may contain sharp edges - especially as noted in manual. Wear protective gloves if necessary.

Read and follow all safety statements, warnings, assembly instructions and use & care directions before attempting to assemble and cook.



## WARNING



### CARBON MONOXIDE HAZARD

Burning charcoal inside can kill you.  
It gives off carbon monoxide, which has no odor.  
NEVER burn charcoal inside homes,  
vehicles or tents.

94005X

# 94005X PARTS LIST

ITEM	DESCRIPTION
99900473	LID KIT
99900474	LOWER BODY KIT
99900090	HINGE KIT
55700476	HANDLE KIT
99900477	SIDE SHELF TRAY (2)
99900479	SIDE SHELF CUTTING BOARD (2)
55700478	VENT KIT
55700508	ASH DOOR KIT
55700509	WHEEL KIT
55700482	LEG KIT
55700483	BOTTOM SHELF KIT
29000463	FIRE GRATE HANGER
29000461	FIRE GRATE
29000460	ASH DRAWER
49400006	COOKING GRATE (4)
40003010	TEMPERATURE GAUGE
29000453	LID STOP
45601070	LOCKING CASTER
45601080	NON-LOCKING CASTER
49400018	GRATE LIFTING TOOL
42000068	HARDWARE BAG
29100322	LEG END CAP
99900510	LOGO PLATE KIT
	ASSEMBLY INSTRUCTIONS

## **STOP!**

Missing a part?

No need to go back to the store!

The store where you made your purchase does not stock parts for this item. If you need parts, whether they are missing or damaged, call the Customer Service toll free Help Line.

Call us and we will gladly ship the part you need

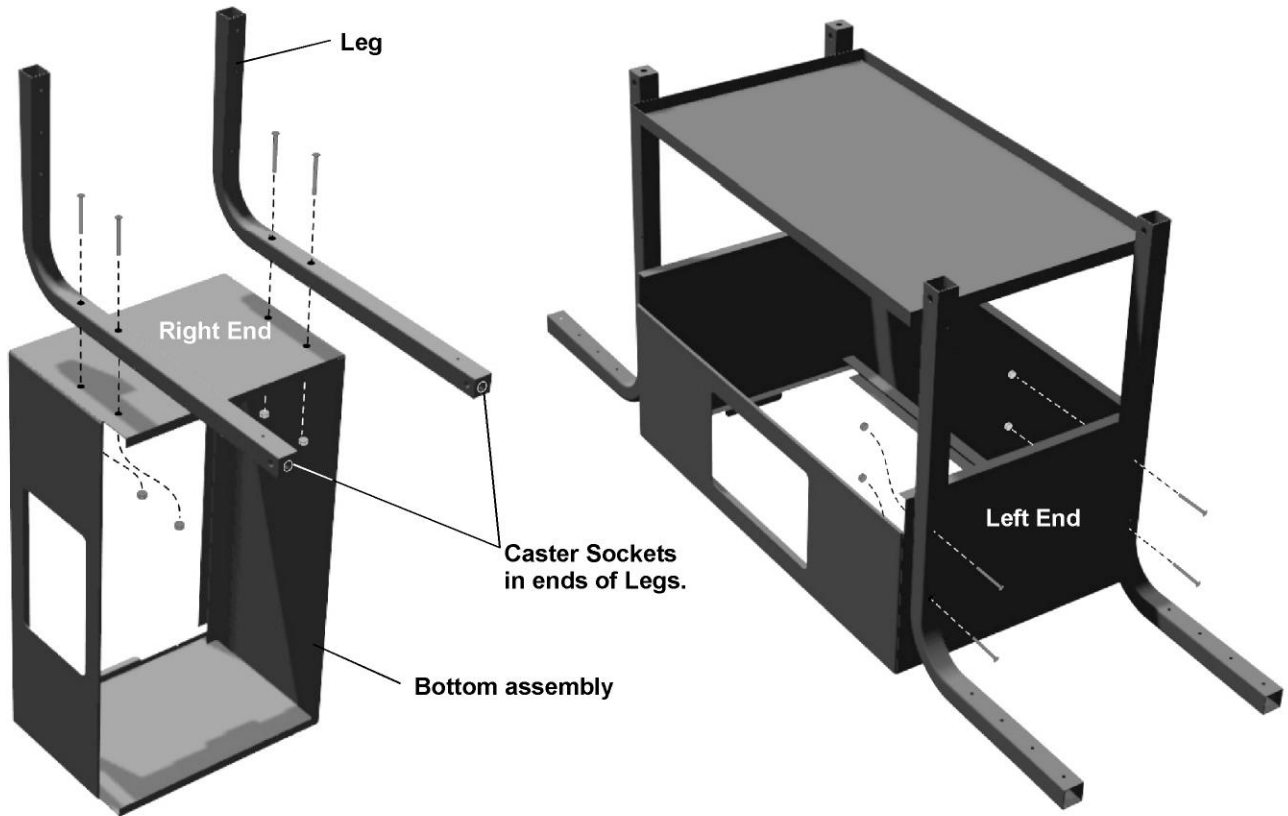
**FREE OF CHARGE.**

Call Our Help Line

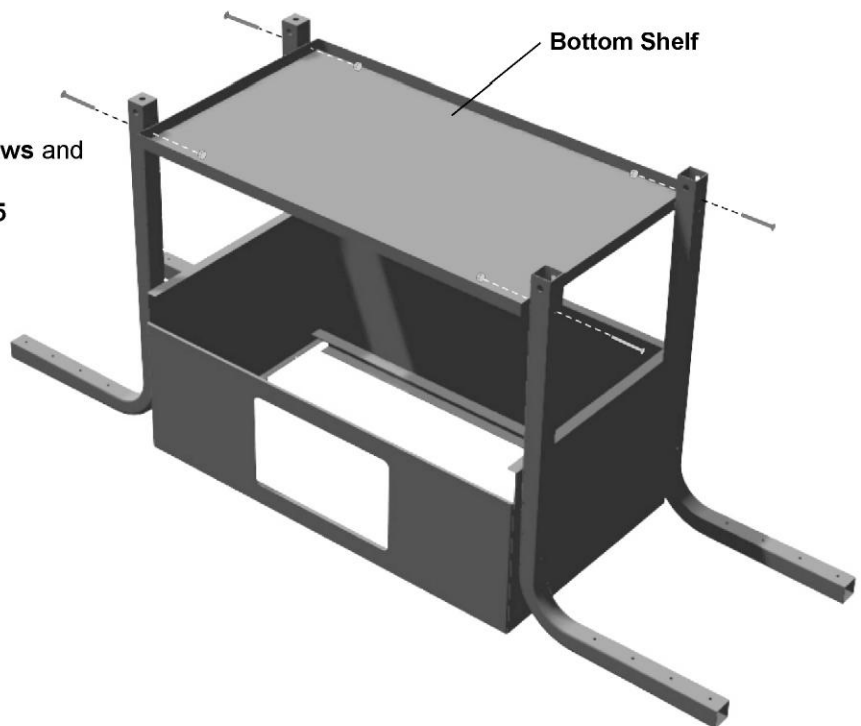
**1-866-239-6774**

**1** First, pick a suitable location to work. Open the carton and slit the corners. This will give you a protective surface upon which to start the assembly. During assembly, refer to page 10 for hardware identification.

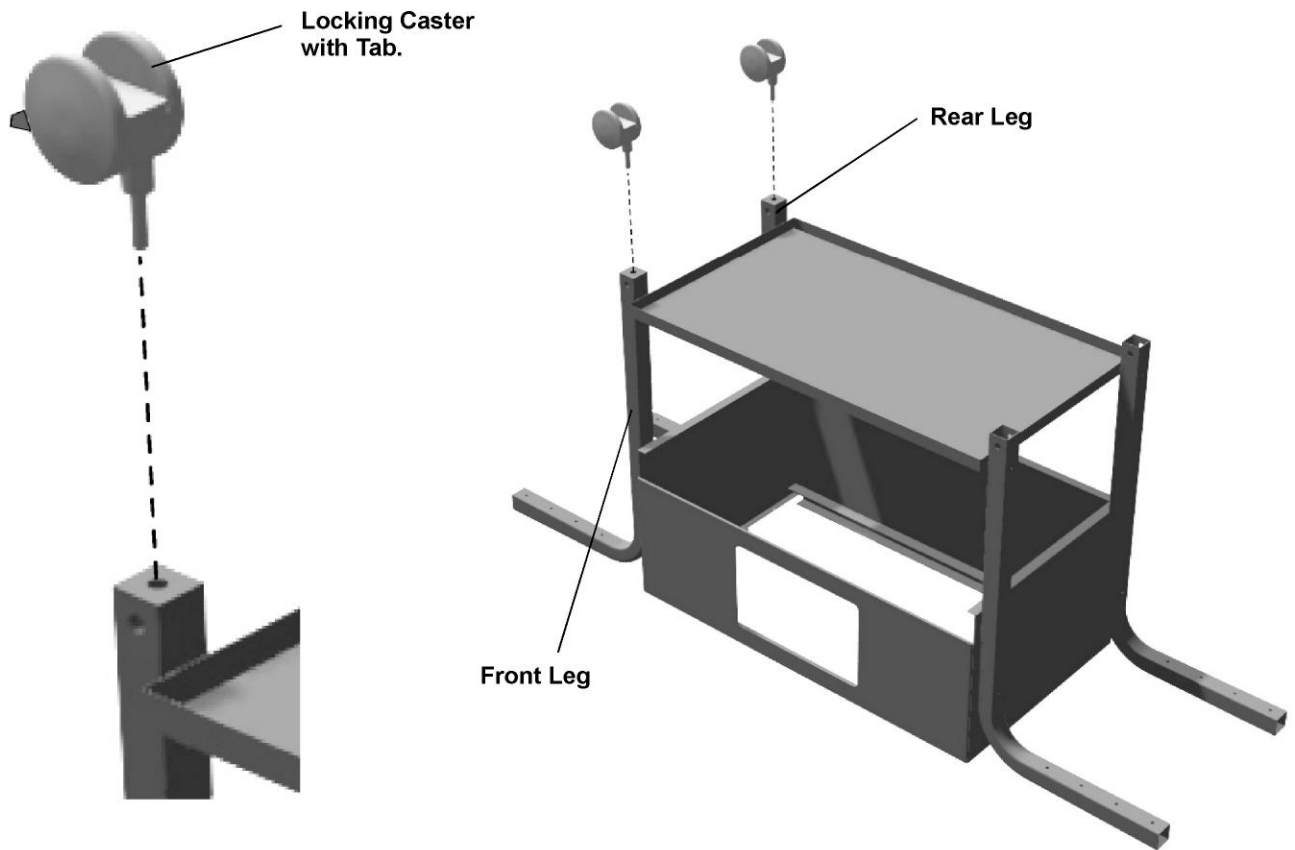
Stand bottom assembly on end. **Attach Legs with Caster Sockets to right end** using two **1/4-20x2" Machine Screws** and **1/4-20 Flange Nuts** per leg. **Do not fully tighten Screws until Step 5 is complete.** Turn assembly upside-down to attach remaining two Legs (without Caster Sockets) on left end.



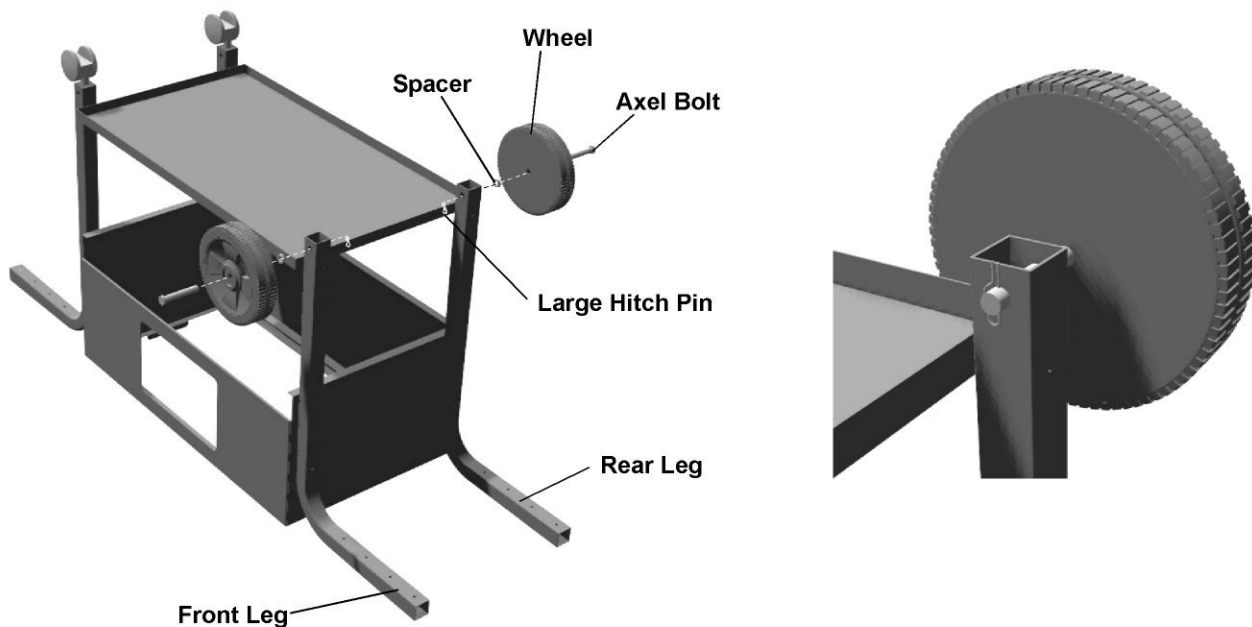
**2** With the aid of a helper, turn the bottom of the Shelf so that the flange is up, and attach to inside holes near ends of Legs using four **1/4-20x2" Machine Screws** and **1/4-20 Flange Nuts**. **Do not fully tighten Screws until Step 5 is complete.**



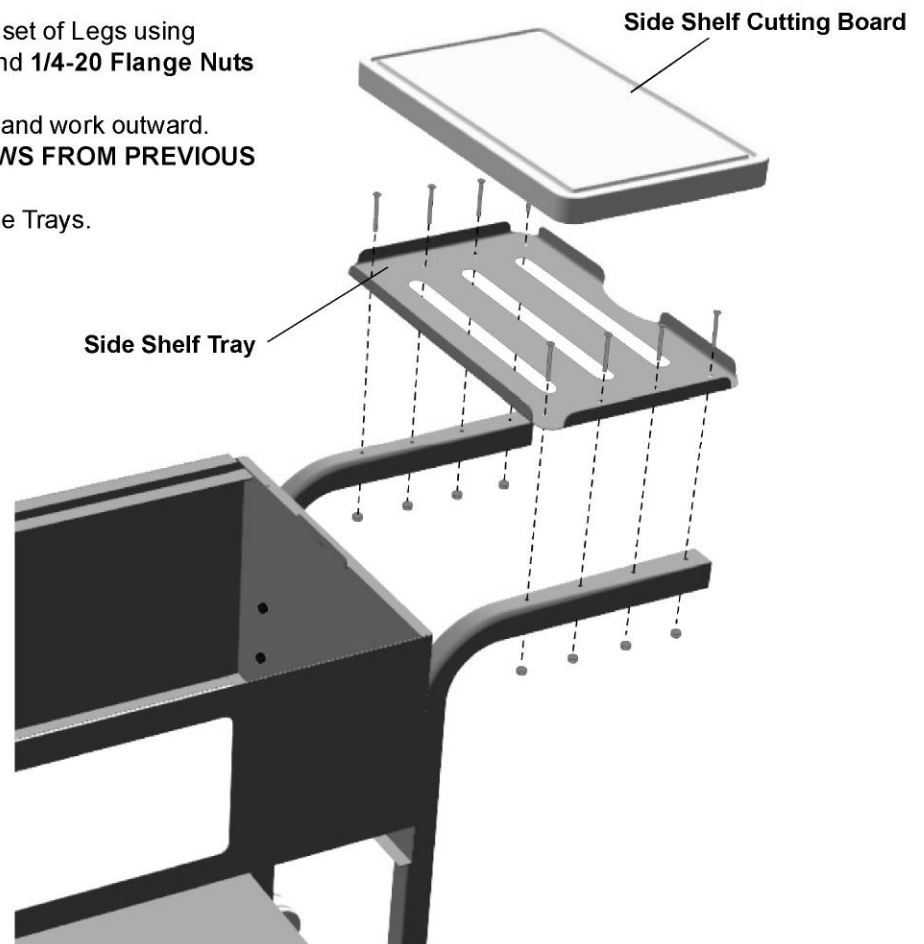
- 3** With the Grill positioned as shown below, slide the **Locking Caster** (with tab) into the insert in the left front Leg. Slide the remaining **Caster** into the insert in the left rear Leg.



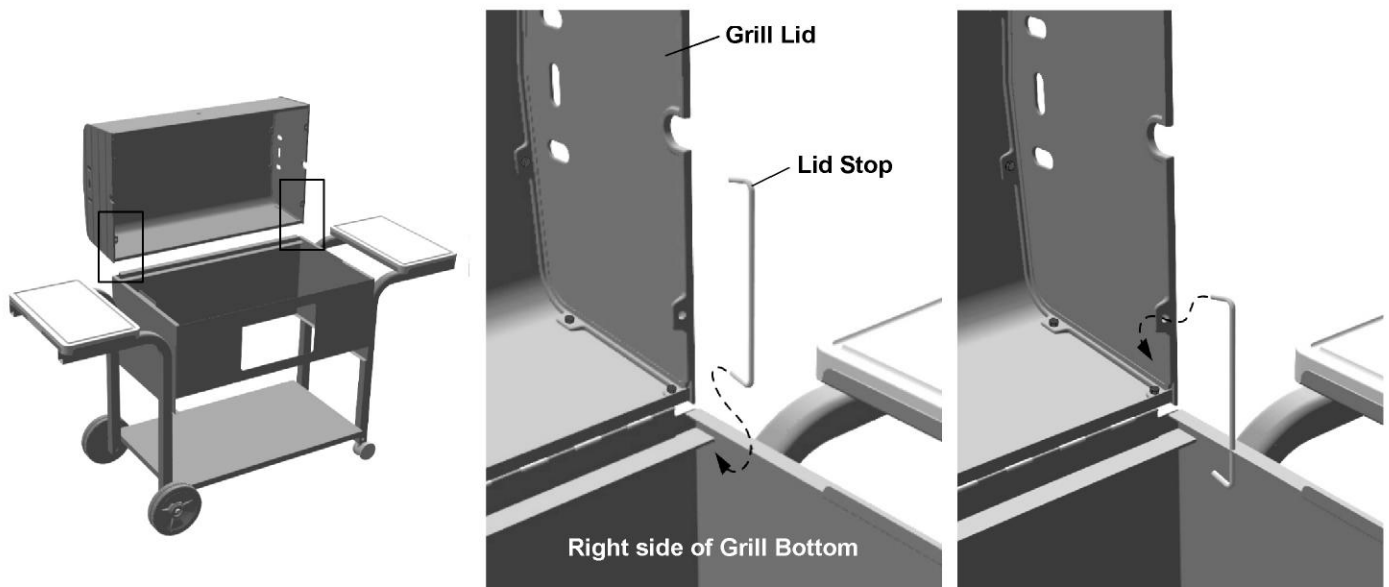
- 4** Insert **Axel Bolt** into **Wheel**, then slide **Spacer** onto bolt. Insert bolt into hole in end of rear Leg and secure with **Large Hitch Pin**. Repeat this procedure to attach **Wheel** to front Leg.



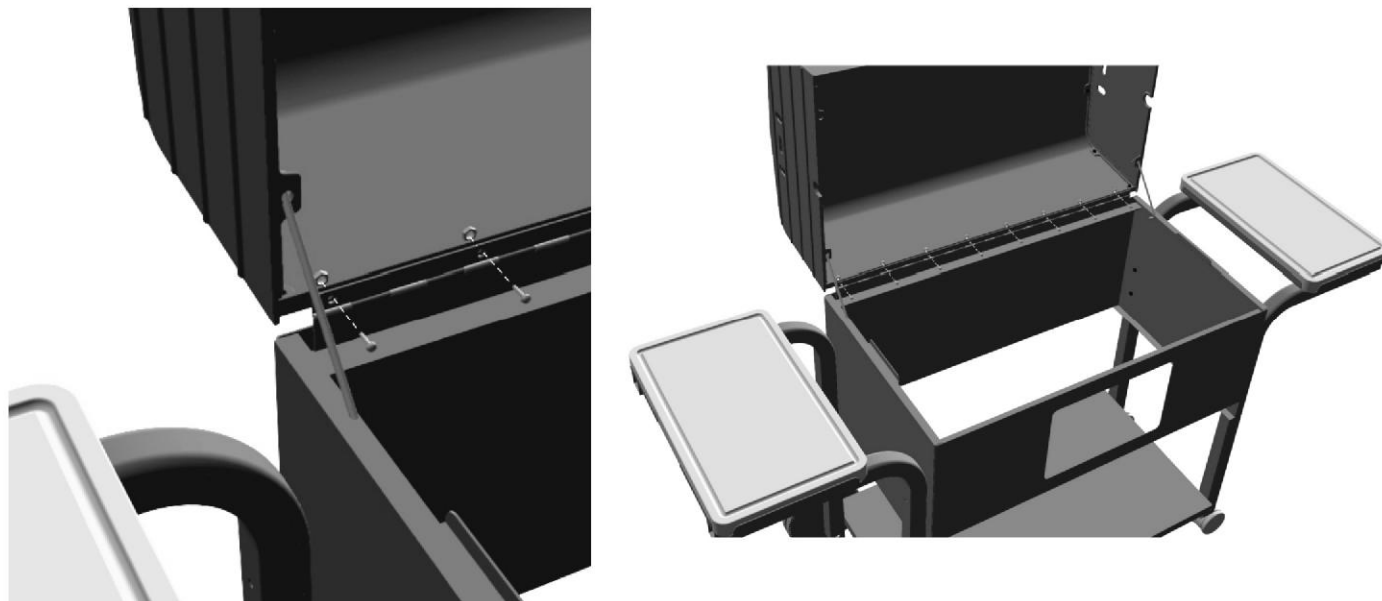
- 5** Attach two Side Shelf Trays to each set of Legs using eight 1/4-20x2" Machine Screws and 1/4-20 Flange Nuts per Tray. Start at the holes closest to the Grill and work outward. **NOW FULLY TIGHTEN ALL SCREWS FROM PREVIOUS STEPS.** Insert both Side Shelf Boards into the Trays.



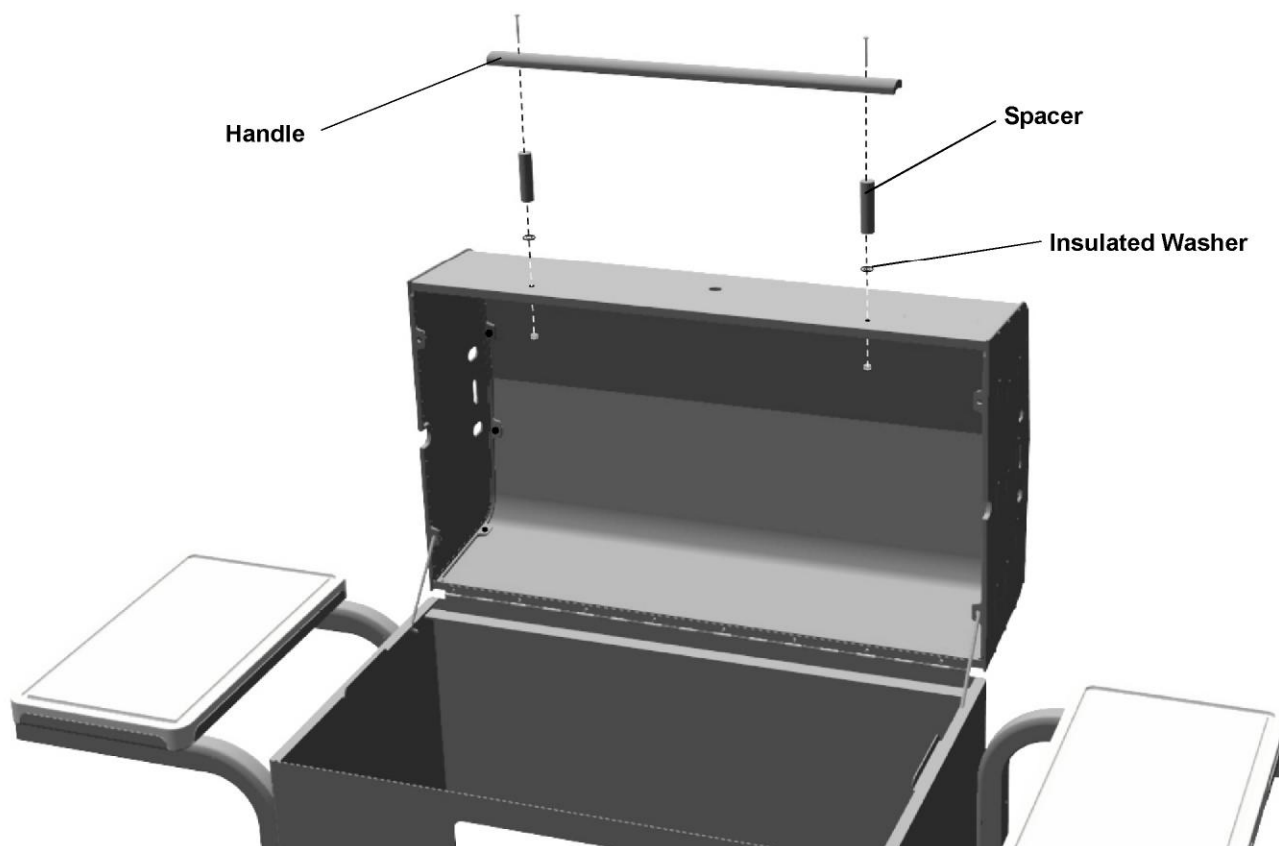
- 6** Insert one end of Lid Stop wire into hole on side of Grill Bottom. With the aid of a helper, position Grill Lid so that opposite end of Lid Stop can be inserted into hole in side of Grill Lid. Repeat procedure on the left side of Grill. **Helper** should continue to hold Lid in position until secured to Grill Bottom in next step.



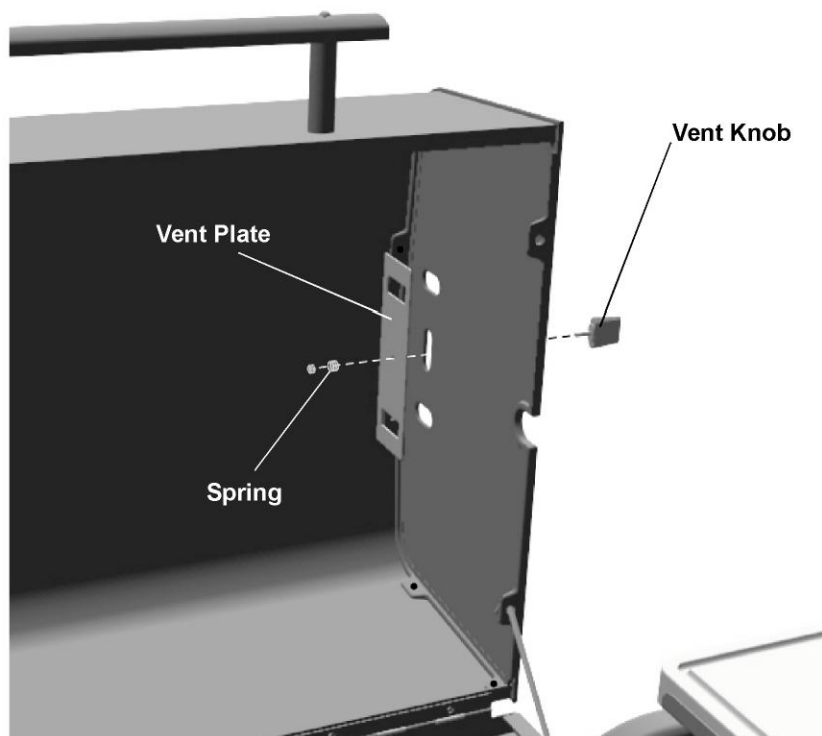
**7** While your helper holds the Grill Lid in position, secure Lid to Hinge on Grill Bottom using eight **#10-24x1/2" Machine Screws** and **#10-24 Flange Nuts**.



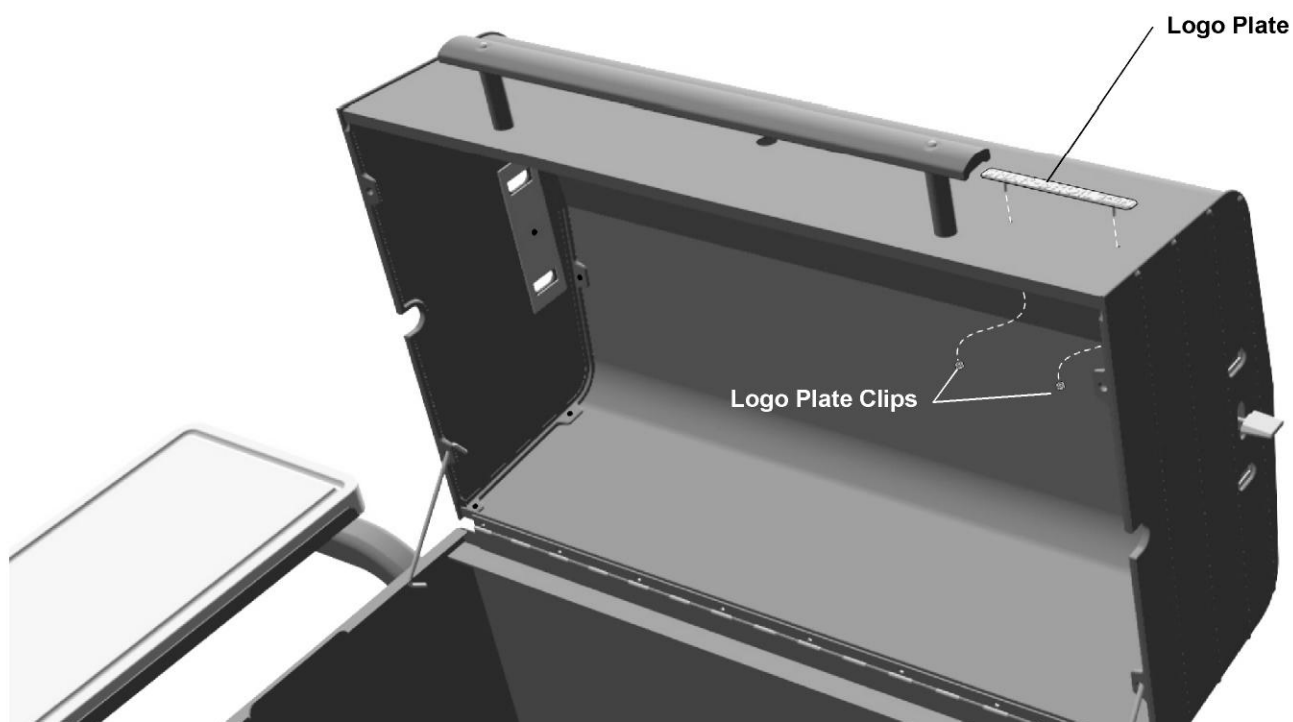
**8** Attach **Spacers** and **Handle** to Grill Lid using two **1/4-20x3 1/4" Machine Screws**, **1/4" Insulated Washers**, and **1/4-20 Flange Nuts**.



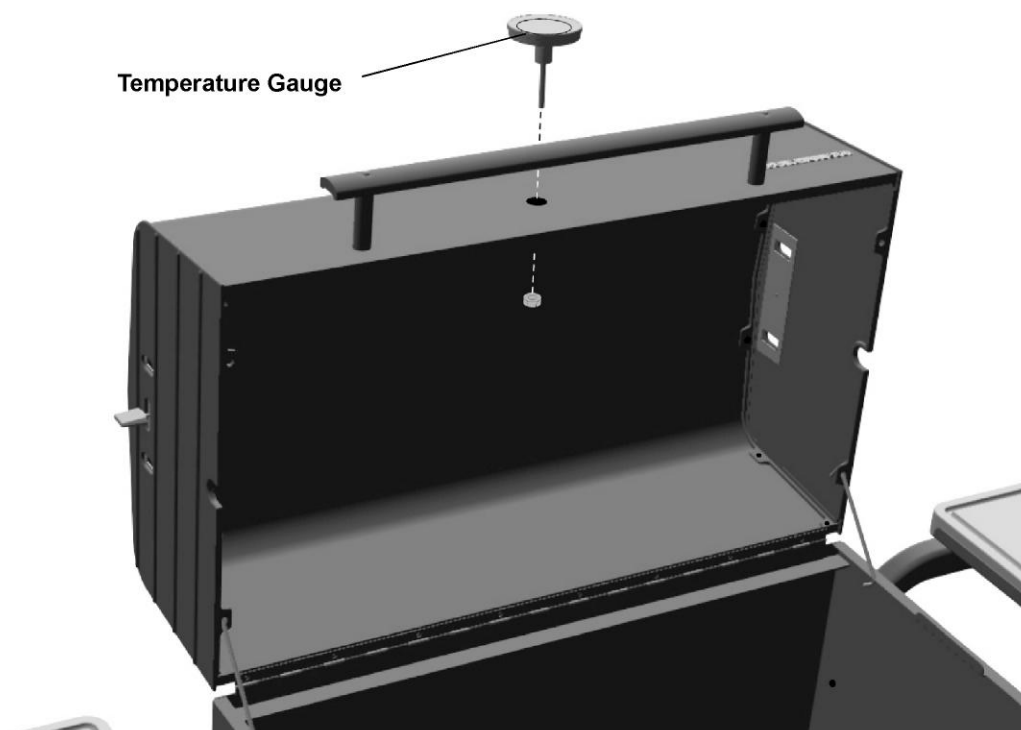
- 9** Insert **Vent Knob** into side of Grill Lid from the outside. Inside the Grill Lid, slide a **Vent Plate** onto the Knob stud followed by a **Spring** and a **#10-24 Hex Nut**. Tighten just enough to allow Vent to slide freely from side to side.



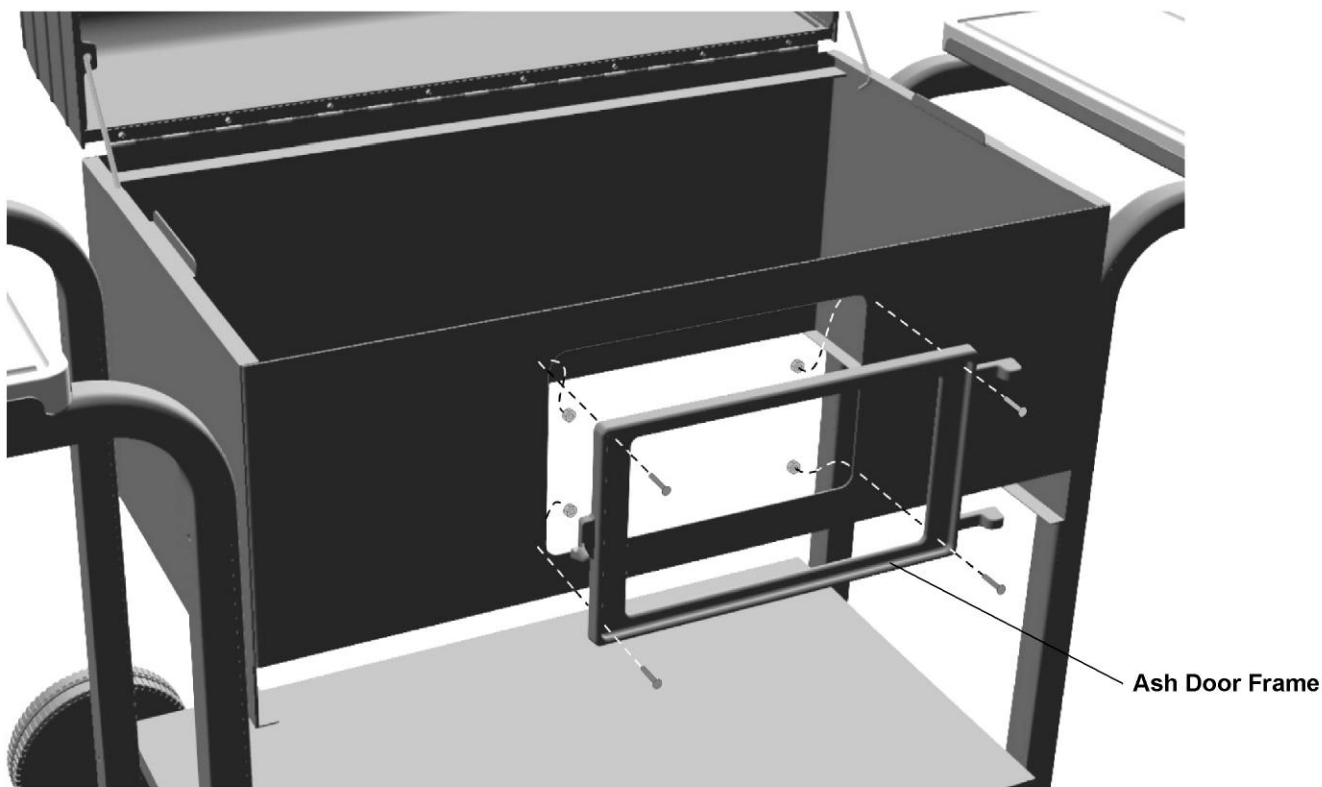
- 10** Attach the **Logo Plate** by inserting the two pins into the small holes on the front of the Grill Lid. From the inside of the Lid, press the **Logo Plate Clips** onto the pins until they are snug against the Lid.



- 11** Install **Temperature Gauge** by placing the stem through the large hole in front of the Grill Lid. Attach the nut provided until snug against Lid.



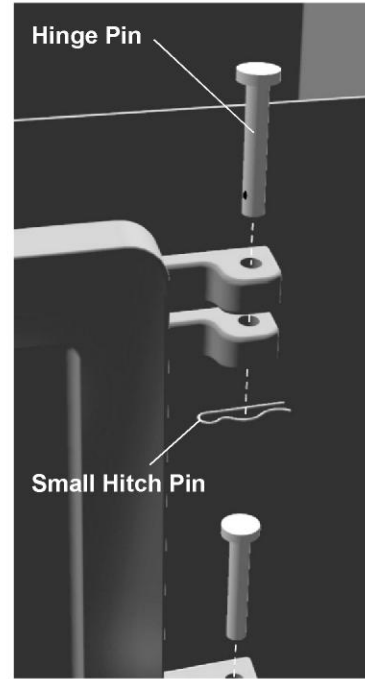
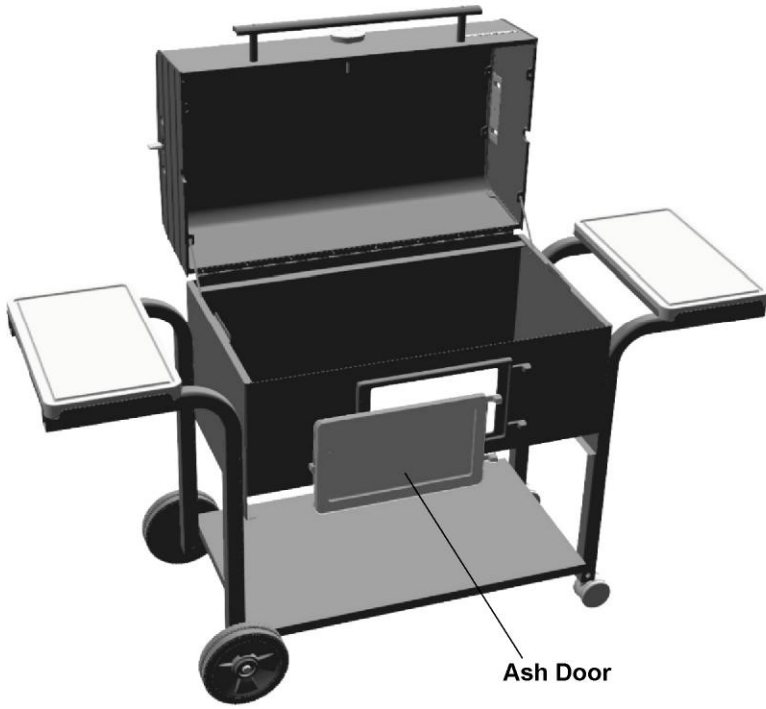
- 12** Attach **Ash Door Frame** to front of Grill Bottom using four **#10-24x1/2"** Flat-head Machine Screws and Flange Nuts.





# 13

Attach **Ash Door** to Frame using two **Hinge Pins** and **Small Hitch Pins**.



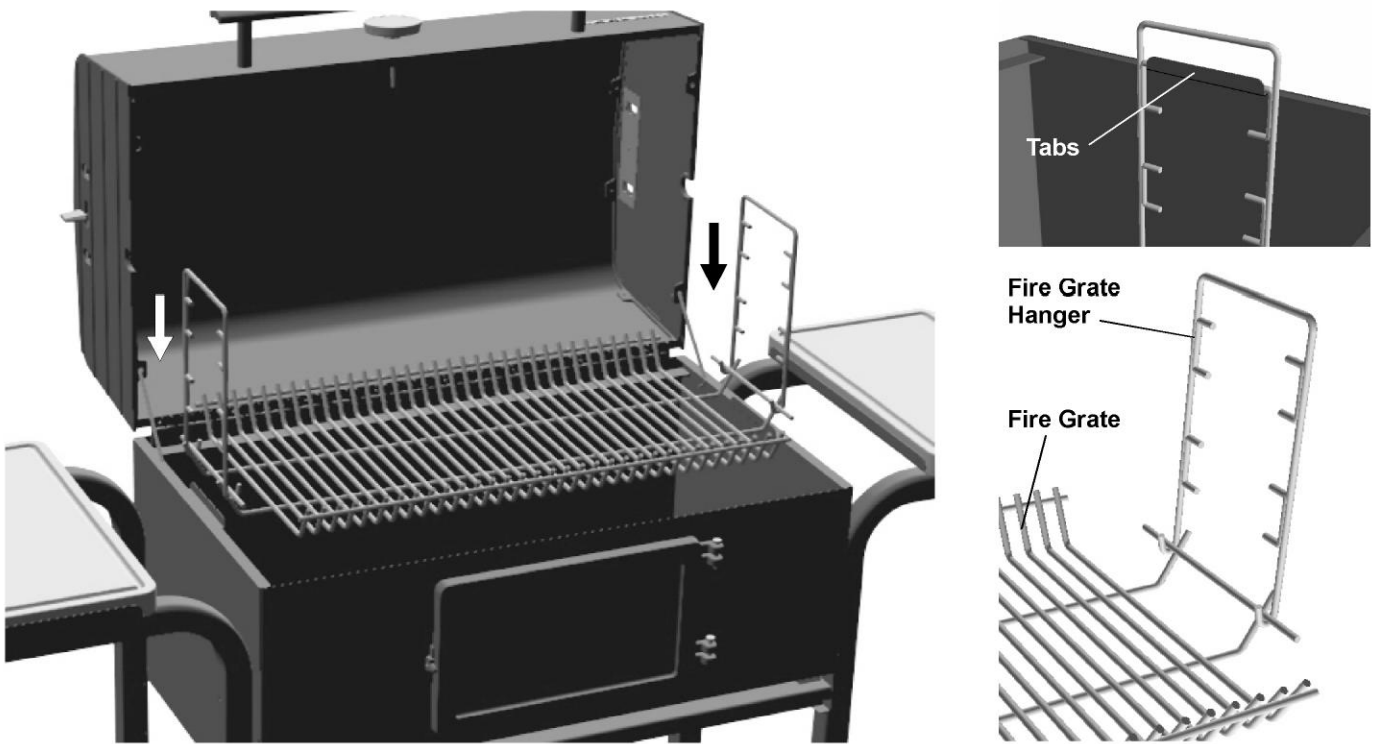
---

# 14

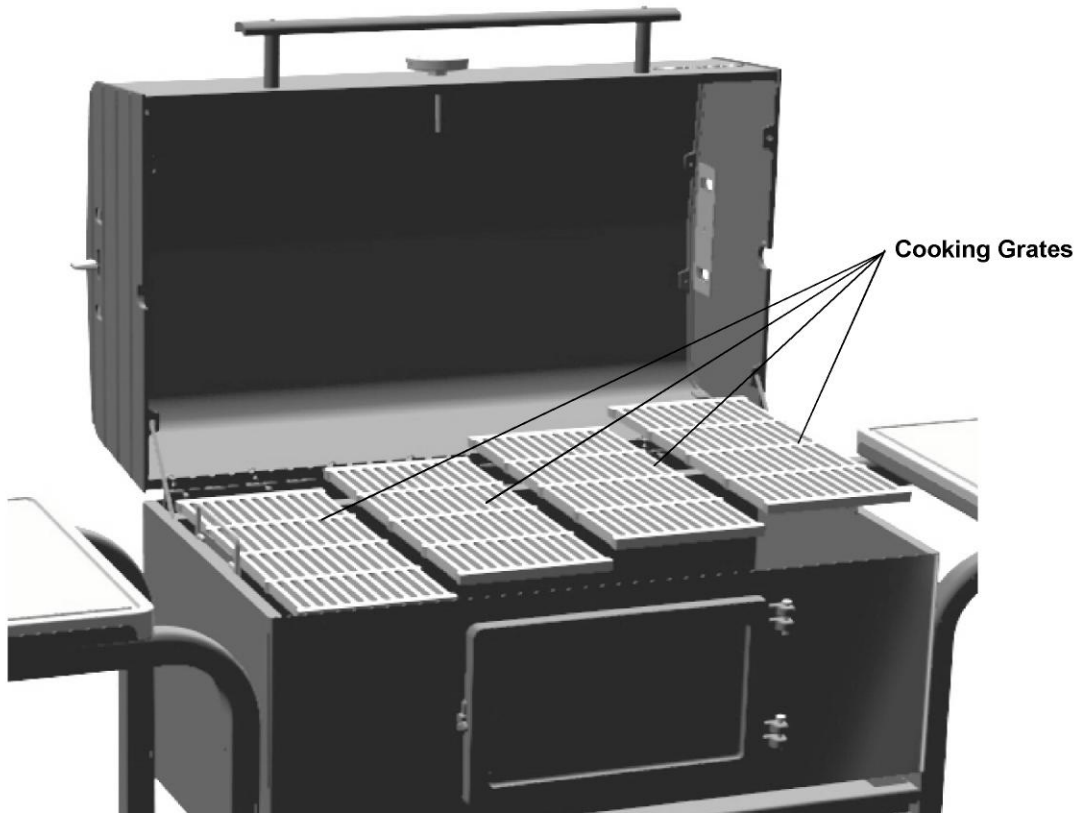
Slide **Ash Drawer** into front of Grill Bottom.



**15** Attach two **Fire Grate Hangers** to **Fire Grate** (hooks point inward toward Grate). Lower into Grill Bottom and hang from **Tabs** on each side.



**16** Place **Cooking Grates** into Grill Bottom. Use the Grate Lifting Tool provided to lift hot Cooking Grates.



# 94005X HARDWARE LIST

Hardware is shown actual size. You may have spare hardware after assembly is complete.



Wheel Spacer  
Qty: 2



Insulated Washer  
Qty: 2



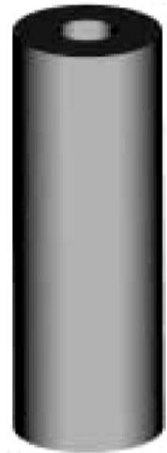
1/4-20 Flange Nut  
Qty: 46



#10-24 Flange Nut  
Qty: 12



#10-24 Hex Nut  
Qty: 2



Handle Spacer  
Qty: 2



Vent Spring  
Qty: 2



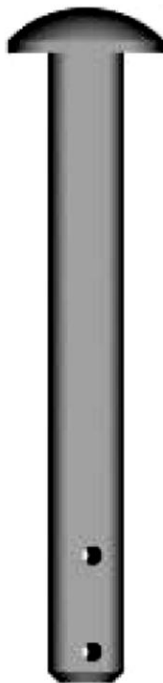
Large Hitch Pin  
Qty: 2



Small Hitch Pin  
Qty: 2



Logo Plate Clip  
Qty: 2



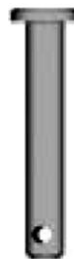
Axel Bolt  
Qty: 2



1/4-20 x 3 1/4"  
Machine Screw  
Qty: 2



1/4-20 x 2"  
Machine Screw  
Qty: 28



Hinge Pin  
Qty: 2



Vent Knob  
Qty: 2



#10-24 x 1/2"  
Flat-Head  
Machine Screw  
Qty: 4



#10-24 x 1/2"  
Machine Screw  
Qty: 8



## WARNING



MOST SURFACES ON THIS UNIT ARE HOT WHEN IN USE.  
USE EXTREME CAUTION. KEEP OTHERS AWAY FROM UNIT.  
ALWAYS WEAR PROTECTIVE CLOTHING TO PREVENT INJURY

## PREPARING TO USE YOUR GRILL

Before cooking with your grill, the following steps should be closely followed to both cure the finish and season the interior steel. Failure to properly follow these steps may damage the finish and/or impart metallic flavors to your first foods.

1. Brush all interior surfaces including Grills and Grates with vegetable cooking oil.
2. Build a small fire on the Fire Grate, being sure not to lay coals against the walls.
3. Close Lid. Position Vents at approximately one-quarter open. This burn should be sustained for at least two hours. Begin increasing temperature by opening the Vents half-way and adding more charcoal. Your Grill is now ready for use.

Rust can appear on the inside of your Grill. Maintaining a light coat of vegetable oil on interior surfaces will aid in the protection of your Grill. Exterior surfaces of the Grill may need occasional touch-up. We recommend the use of a commercially available black high temperature spray paint. NEVER PAINT THE INTERIOR OF THE UNIT!

## GRILLING

Charcoal is recommended, however wood or a combination of both may be used as the fuel source for grilling, with the fuel source placed and ignited on the Fire Grate. Do not build too large of a fire. We recommend starting a fire with no more than 4 pounds of charcoal (approximately 60 briquets) and adding more as needed during cooking. After allowing the fire to burn down, place the Cooking Grate in the Grill. Failure to read and follow instructions for lighting charcoal may result in serious personal injury and/or property damage.

## GRILL MAINTENANCE

Frequency of cleanup is determined by how often the Grill is used. Make sure coals are completely extinguished before cleaning inside of Grill. Thoroughly rinse with water and allow to air dry before using again. Wipe out the interior of unit with cloth or paper towel.

### Limited Warranty

Manufacturer warrants this grill for replacement or repair of parts and/or workmanship for a period of 90 days. Manufacturer warrants to the original grill owner repair or replacement of the cooking chamber only should "burn-out" or "rust-through" occur for a period of one year. Paint is not warranted and will require touch-up.

These limited warranties are made exclusively to the original customer presenting proof of purchase. These warranties are limited to non-commercial usage. Any returned goods must be clearly marked with a Manufacturer's Return Authorization Number and shipped prepaid. These limited warranties do not cover normal wear and tear or damages resulting from abuse or misuse. This warranty excludes incidental or consequential cost due to damages or losses to property of any nature.

NOTICE: Some states do not allow the exclusion or limitation of incidental or consequential damages or limitations on how long an implied warranty lasts, so the above limitations or exclusions may not apply to you. This warranty gives you specific legal rights and you may also have other legal rights which may vary from state to state.

For Customer Service CALL TOLL FREE 1-866-239-6774