

This Owner's Manual is provided and hosted by [Appliance Factory Parts](#).



Shop Vac QPS30 Owner's Manual

[Shop genuine replacement parts for Shop Vac QPS30](#)



[Find Your Shop Vac Vacuum Cleaner Parts - Select From 487 Models](#)

----- Manual continues below -----

shop-vac®**Model - QPS30**

Catalog 9255300 (8 Gal.)

9255411 (10 Gal.)

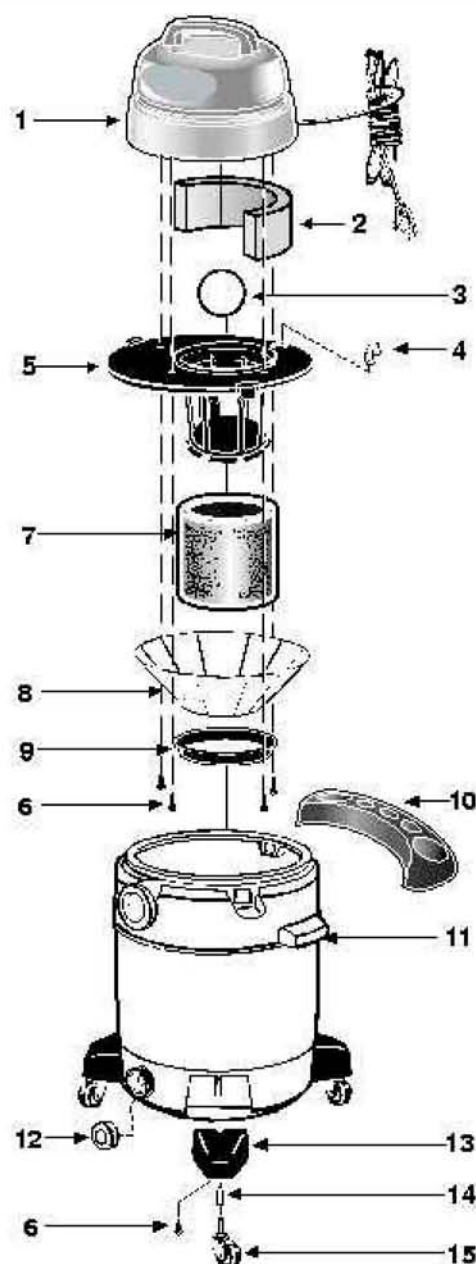
9255304 (8 Gal.)

9255431 (10 Gal.)

9255400 (10 Gal.)

9255500 (12 Gal.)

9255404 (10 Gal.)



ITEM	DESCRIPTION	PART NO.
1	Power Unit Assembly	8110197
2	Foam Insert	1290506
3	Ball Float	0081100
4	Lid Latch	8550101
5	Lid Cage & Latch Assembly	8967051
6	Screw Hex Head #10 x 3/4 Type AB	1503999
7	Foam Sleeve	9058562
8	Reusable Dry Filter	9010762
9	Filter Ring	3006500
10	Accessory/Tool Holder (8 & 10 gal.) (12 gal.)	8411100 8411200
11	Tank Assembly (8 gal.) (10 gal.) (12 gal.)	8493197 8493297 8493397
12	Drain Cap (12 gal.)	1062021
13	Caster Foot	8565000
14	Caster Retainer	8565500
15	Caster	6771200

STANDARD ACCESSORIES

- 7' x 1 1/4" hose with extension nozzle
- 2 - 1 1/4" extension wands
- 10" wet/dry nozzle
- 10" squeegee insert

THREE-YEAR HOME USE WARRANTY

Your Shop-Vac® vacuum cleaner is warranted in normal household use, in accordance with the User Manual, against original defects in material and workmanship for a period of three years from date of purchase. Should this product be used for commercial or rental use, a 90 day limited warranty will apply. Shop-Vac Corporation warrants placing this vacuum cleaner in correct operating condition, by repair or parts replacement, during the warranty period, without charge. This warranty does not cover accessories. Use of non-recommended filters and/or accessories may void the manufacturer's warranty.

SC87519-63