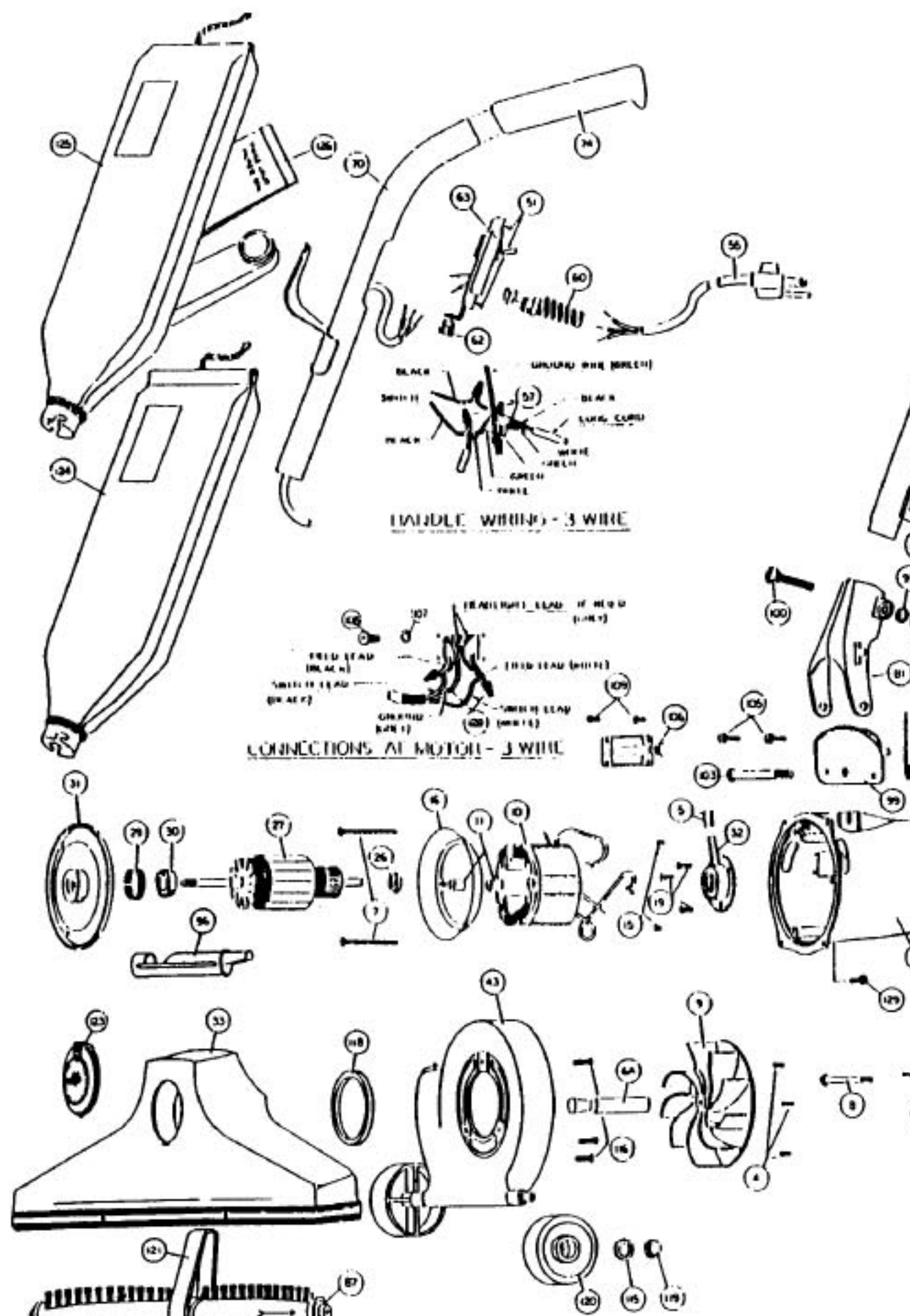


Models: 690



Models: 690

	NLA	Motor Unit Assy	63	R-060837	Swit
2	NLA	Carbon Brush Assy	69	NLA	Shor
3	R-003008	Spring, rear fork	70	NLA	Upp
4	R-670013	Screw, motor plate ret.	74	R-801314	Han
5	R-065028	Oiler Cap	76	R-0655330	Han
6	R-672103	Brush Holder & Screw Assembly	80A	R-670844	Coro
6A	R-380261	Drive Shaft	81	R-028580	Han
7	R-618016	Screw, field retainer	89	R-692225	Rev
8	R-311031	Screw & Washer Assembly	89	R-695227	Rev
9	R-608005	Fan, heavy duty	96	R-880262	Belt
10	R-780002	Field, 120v	97	R-003311	Was
11	R-618772	Spacer, baffle	98	R-004723	Han
14	R-871101	Motor Housing Assembly	99	R-133714	Han
15	R-801014	Set Screw, brush holder	100	R-230713	Bolt,
16	R-801017	Baffle Plate	101	R-285720	Wing
17	R-801019	Brush Holder	103	R-801708	Bolt,
18	R-801034	Brush Holder Protector Cap	104	R-801714	Nut,
19	R-801701	Screw, rear bearing retainer	105	R-990104	Scre
	R-061905	Rear Wheel, Fork & Shaft Assy	106	R-183749	Side
22	R-671705	Wheel, 2 1/2" diam.	107	R-006318	Lock
23	R-801711A	Wheel Retainer	108	R-880707	Scre
24	R-028574	Rear Fork & Shaft Assembly	109	R-360753	Scre
	R-078007	Motor Plate & Armature Assy	110	R-080105	Scre
26	R-175053	Washer, oil slinger	110A	R-608153	Nut
27	R-780001	Armature, 120v	115	R-005138	Was
	NLA	Motor Plate & Bearing Assy	116	R-023309	Scre
29	R-880046	Tolerance Ring	118	R-2854270	Gas
30	R-880026	Ball Bearing	119	R-801711A	Whe
31	R-884003	Motor Plate	120	R-671705	Whe
32	R-080126	Rear Bearing Assembly	121	R-672260	Belt
33	R-381026	Nozzle Assembly	122	R-692270	Noz
43	R-670118	Fancase Assembly	123	R-080169	Adju
	R-067030	Handle & Cord Assembly, 50ft	124	R-066240	Bag
48	R-230324	Grommet	125	R-0662421	Bag
49	R-003311	Washer, adaptor clamp screw	126	R-66247	Pap
50	R-023311	Lockwasher	127	R-110773	Inse
51	R-880707	Screw, switch plate	128	R-259762	Wire
52	R-801710	Wingnut, small	129	R-980743	Scre
53	R-801712	Screw, adaptor clamp			
	R-060831	Switch & Cord Assembly, 50 ft			
55	NLA	Cord & Plug Assembly, 50 ft			
57	R-259761	Wire Connector			
59	NLA	Cord Protecting Sleeve			