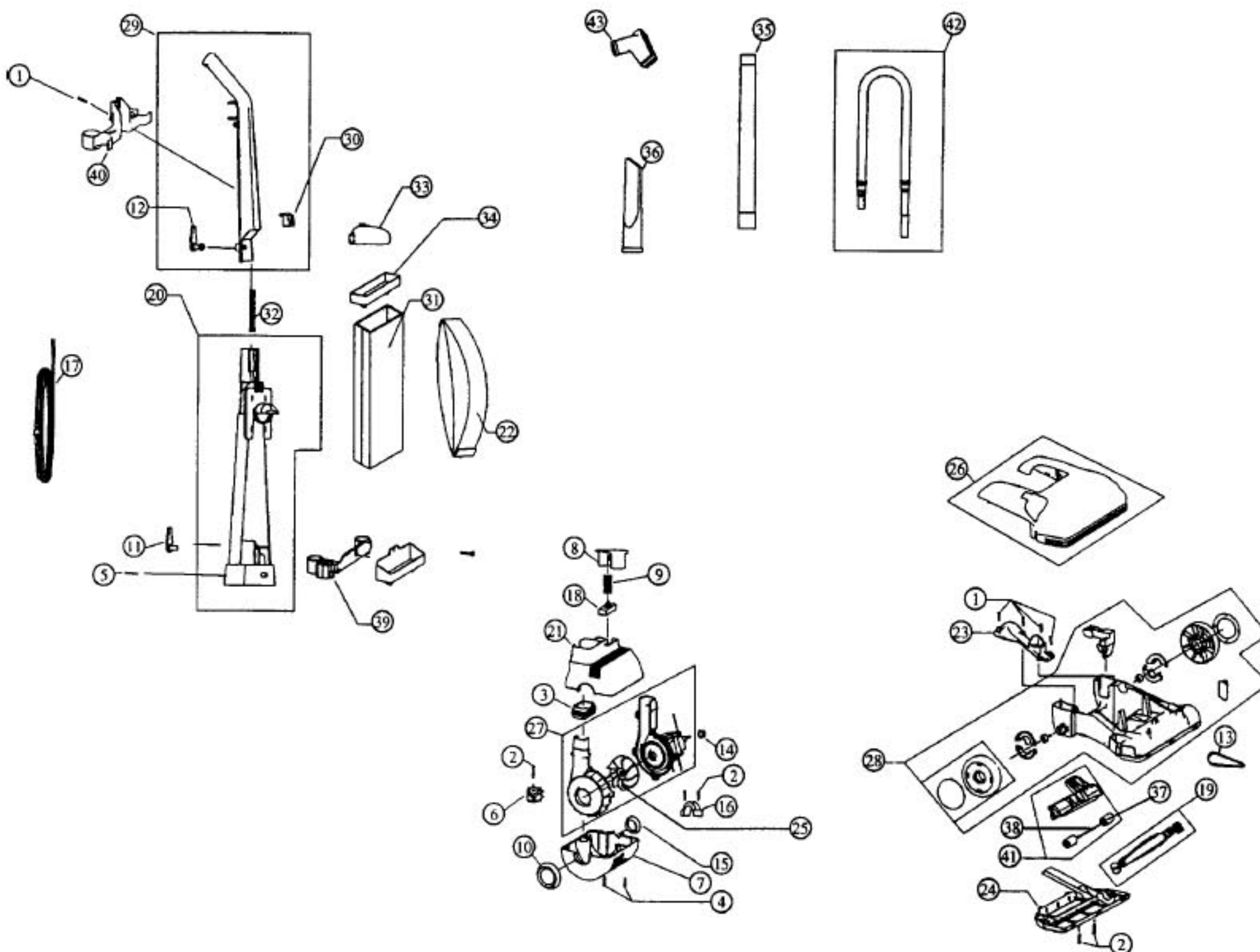


Models: 085335, 5235, 085360



- | | | | | | |
|----|-----------|--|----|-----------|------------------------------------|
| 1 | R-250100 | Screw | 23 | R-520120 | Nozzle Guard |
| 2 | R-503819 | Screw | 24 | R-321050 | Fan |
| 3 | R-5200607 | Gasket, handle | 24 | R-540160 | Fan, 085360 |
| 4 | R-520180 | Screw | 25 | R-201023 | Nozzle Cover Assy |
| 5 | R-520310 | Screw | 25 | R-300103 | Nozzle Cover Assy, 085335, 085360 |
| 6 | R-540145 | Lower Motor Housing | 26 | R-540075 | Motor |
| 7 | R-620180 | Pedal, switch | 26 | R-536075 | Motor, 085360 |
| 8 | R-620185 | Spring, switch | 28 | R-520005 | Handle Assy, upper |
| 9 | R-620215 | Pivot Seal | 29 | R-300056 | Handle Assy, upper, 085335, 085360 |
| 10 | R-620295 | Cord Hook | 29 | NLA | Guide, bag |
| 11 | R-720120 | Cord Hook | 30 | R-520047 | Hinged Bag, w/ upper retainer |
| 12 | R-720310 | Belt | 31 | R-520009 | Spring, bag guide |
| 13 | R-720325 | Motor Grommet | 32 | R-520025 | Clip, upper bag |
| 14 | R-720355 | Bushing | 33 | R-520035 | Retainer, lower bag |
| 15 | R-820351 | Pivot Clamp | 34 | R-4028036 | Extension Wand |
| 16 | R-999025 | Power Cord | 35 | R-502801 | Crevice Tool |
| 16 | R-999025 | Power Cord, 085360 | 36 | NLA | Roller, front |
| 17 | R-210385 | Switch Assy | 37 | R-520142 | Axle |
| 18 | R-520125 | Brush Roll Assy | 38 | R-530050 | Upper Tool Caddy Assy |
| 19 | R-540011 | Lower Handle Assy | 39 | R-530200 | Roller Lifter Assy |
| 20 | R-254014 | Upper Motor Housing Assy | 40 | R-530400 | Hose Assy |
| 20 | R-540141 | Upper Motor Housing Assy, 085335, 085360 | 41 | R-620215 | 2 In 1 Tool Assy |
| 21 | R-670147 | Paper Bag, type D, 3 pack | 42 | R-540155 | Fan Housing |
| 22 | R-520111 | Dirt Passage Cover, 5235 | 43 | R-520185 | Screw |