



The Care Free[®] Permawick[™] Evaporative Humidifier



ENGLISH
See page 2

Espanol
Voir page 9

FRANÇAIS
Voir page 18

Read and save these instructions.

Model 34407, 37407

Table of Contents

SAFETY INSTRUCTIONS.....	2
How The Humidifier Works.....	2
Humidifier Parts.....	2
Using Your Humidifier.....	3
Features and Options.....	4
Refilling the Water Tank.....	4
Humidifier Maintenance.....	4
Troubleshooting.....	7
Service Parts.....	7

Read and Save These Instructions

Important Safety Instructions: Read all instructions before using this humidifier.

1. This humidifier may not work properly on an uneven surface. ALWAYS place this humidifier on a firm, level, and water resistant surface. ALWAYS place the humidifier at least six (6) inches away from walls and heat sources such as stoves, radiators, or heaters.
2. ALWAYS place the humidifier in an area that is out of the reach of children.
3. Before using the humidifier, extend the cord and inspect for any signs of damage. DO NOT use the product if the cord has been damaged.
4. This product has a polarized plug (one blade is wider than the other) as a safety feature. This plug will fit into a polarized outlet only one way. If the plug does not fit fully into the outlet, reverse the plug. If it still does not fit, contact a qualified electrician. DO NOT attempt to defeat or override this safety feature.
5. ALWAYS UNPLUG AND EMPTY the humidifier when it is not in operation or while it is being cleaned.
6. DO NOT tilt or move the humidifier while it is in operation. Never move the humidifier while there is water in the tank. Empty the water tank, turn off, and unplug the unit before moving.
7. In addition to routine maintenance which may be required, this humidifier requires seasonal cleaning. Refer to and follow CLEANING THE HUMIDIFIER AND THE WATER TANK instructions.

How The Humidifier Works

The Hunter® Evaporative Humidifier has a unique patented design with several innovative features:

- **Low Maintenance** – Other humidifiers have paper filters that need to be replaced every few months. Our exclusive PermaWick™ filter saves time and money. It's designed to last season after season, saving up to \$45 a year. No wet paper odors, either.
- **Regulated Release™ System** – By dispersing water from the top of the PermaWick™ filter, stagnant water around the PermaWick™ filter is eliminated, and the buildup of mineral residue that can clog the filter and impede performance is eliminated. NOTE: The filter has a coating on the wick which may make it appear old or used, but is actually new.
- **Built-in Antimicrobial Properties** – The plastic parts and the filter have built-in antimicrobial properties to inhibit the growth of bacteria, mold and fungi that may affect these parts.

NOTE: This product contains antimicrobial properties which are built-in to inhibit the growth of bacteria which may affect the plastic and filter in the humidifier. These properties do not extend to the water, humidified air or users. Conduct routine cleaning and maintenance based upon use and individual conditions.

- **No White Dust** – The Hunter® Evaporative Humidifier produces no white dust that can settle on furniture or be inhaled.

NOTE: You may notice mineral deposits accumulating in the tank Tray. This is normal and does not affect performance. If you would like to clean these deposits away, please see CLEANING THE HUMIDIFIER AND WATER TANK.

Humidifier Parts

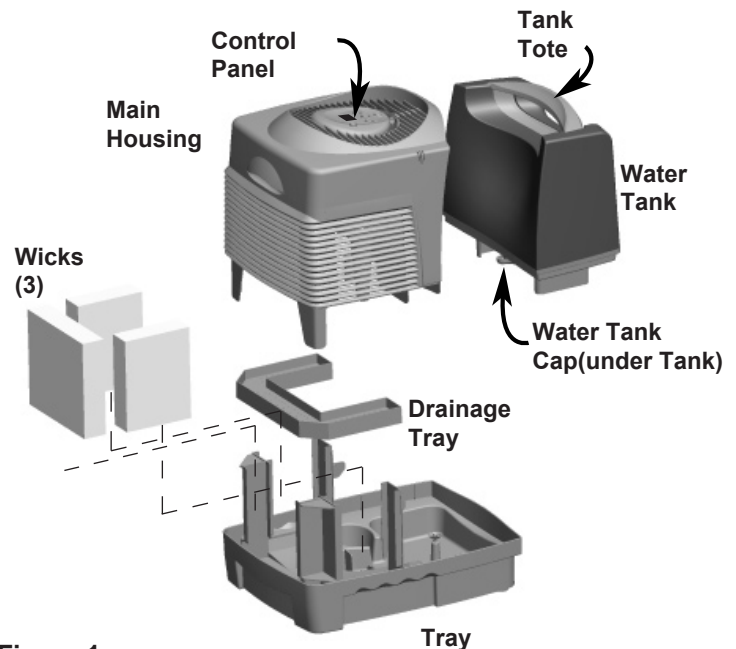


Figure 1

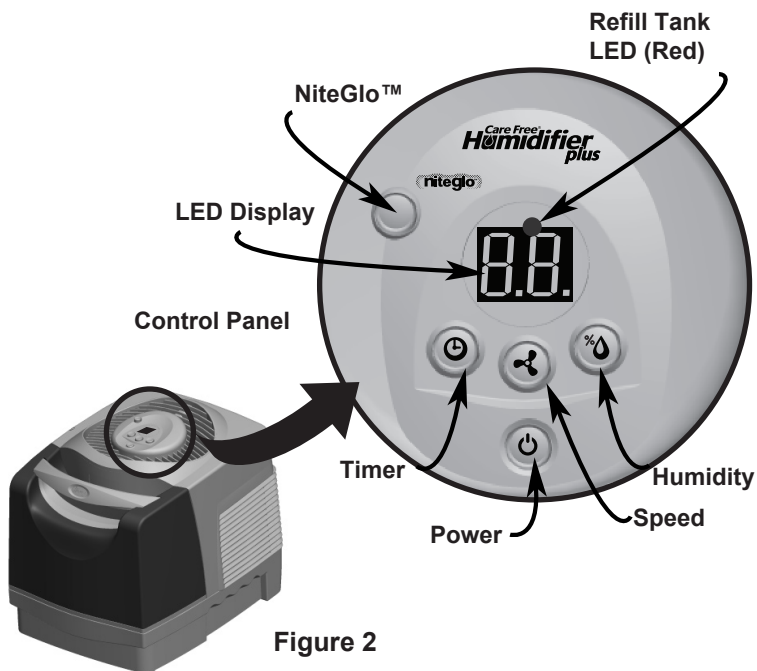


Figure 2

Power: Turns the humidifier on and off. the power should always be off before unplugging the humidifier, moving the humidifier, or refilling the water tank.

Refill Light: The red LED turns on to signal that the humidifier has automatically turned off and the Water Tank needs to be refilled.

Humidity: Enables you to set the desired maximum humidity level. Once this level is reached, the unit will automatically shut off until the humidity level drops. NOTE: The humidifier may not be running because the Span Setting may need to be adjusted.
Speed: Sets the humidifier's fan speed to Low (1), Medium (2), or High (3).

Timer: Sets the humidifier to run for 2, 4, 8, or 10 hours. when the timer is not used, the humidifier will run and cycle automatically.

Using Your Humidifier

Basic Set-Up and Operation

1. Remove the Hunter® Evaporative Humidifier from its packaging.
2. Place the humidifier on a hard, flat, water resistant surface. Always place the humidifier at least six (6) inches away from walls and sources of heat.
3. Grasp the Water Tank by its Tank Tote and remove it from the Tray. See Figure 3.
4. Turn the Water Tank upside-down and remove the Water Tank Cap. See Figure 4.

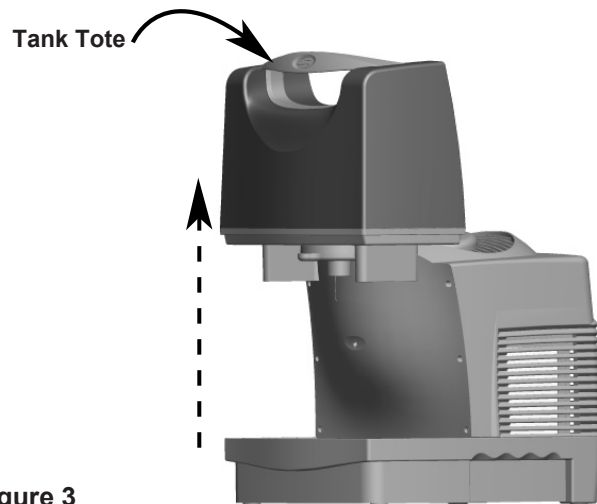


Figure 3

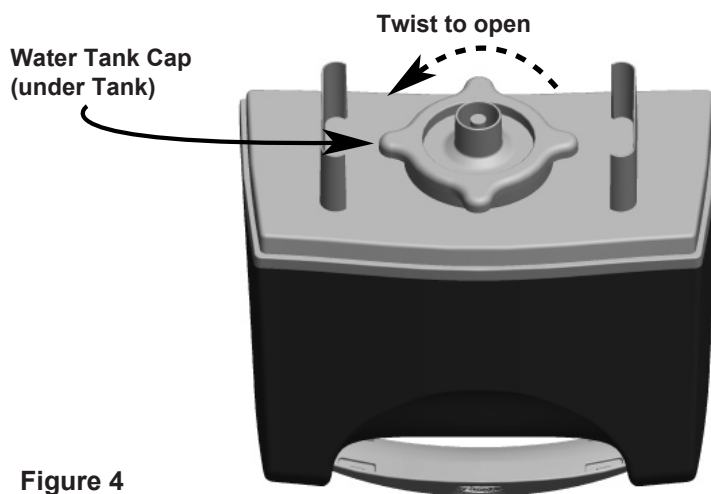


Figure 4

5. Fill the Water Tank with water, return the Water Tank Cap to its position and tighten it, and return the Water Tank to the Tray.
6. Plug the humidifier's Power Cord into a standard household power outlet.
7. Press the Power Button on the Control Panel.
8. To see the current humidity, press the Humidity button. To change the humidity, press and hold the Humidity button for 3 seconds. The LED Display will flash the current humidity setting. Press the Humidity button until the LED Display shows your desired humidity setting. You can change the setting in 5% increments from 30% relative humidity to 80%. When the LED Display shows your desired humidity setting, release the Humidity button. After 2 seconds, the humidity setting is set and the LED Display will show the relative humidity.
9. To see the current Fan speed setting, press the Speed button. To change the Fan speed setting, press and hold the Speed button for 3 seconds. The LED Display will flash the

current Fan speed setting. Press the Speed button until the LED Display shows your desired Fan speed setting, Low (1), Medium (2), or High (3). Release the Speed button. After 2 seconds, the Fan speed is set and the LED Display will show the relative humidity.

10. During normal operation, the LED Display will show the relative humidity of the space in which you place your humidifier.

Features and Options

Automatic Shut-Off

When the Water Tank is empty, the humidifier will automatically turn off and the red Refill Tank LED will turn on. The Refill Tank LED will turn off when the Tank is refilled and placed back on the humidifier.

Timer

You can set your humidifier to run for pre-set periods of time.

1. To see the current Timer setting, press the Timer button once.
2. To change the Timer setting, press the Timer button and hold it for 3 seconds. The current Timer setting will begin to flash.
3. Press the Timer button again to change the setting. The settings in hours are OF (Off), 2, 4, 8 and 10.
4. When the LED Display shows your desired run time, release the Timer Button. After 2 seconds, the run time is set and the LED Display will show the relative humidity.
5. The humidifier will shut down automatically when the set time expires.

Span Setting

Your humidifier is set at the factory to cycle at setting 2. If you find your humidifier is cycling either too often or not often enough, change the Span setting to change the cycle time.

1. To see the current Span setting, press both the Humidity and Speed buttons.
2. To change the Span setting, Press and hold both the Humidity and Speed buttons for 3 seconds. The LED Display will flash the current Span Setting.
3. Press the Speed button to change the Span setting. Set the Span to 3 to increase the humidifier's run time. Set the Span to 1 to decrease the humidifier's run time.
4. When the LED Display shows your desired Span setting, release the Speed button. After two seconds, the Span is set and the LED Display will show the relative humidity.

The NiteGlo™ Night Light

Press the NiteGlo™ button on the Control Panel to turn the night light on and off.

NOTE: The NiteGlo™ night light is inoperable when the humidifier is turned off.

Refilling The Water Tank

1. When the water tank level is low, turn the humidifier 'OFF', and unplug.
2. Remove the tank and take it to the sink or tub to refill.
3. Turn the tank upside down and unscrew the tank cap by turning it counterclockwise. Empty the tank, refill with fresh cool water (never use hot water), and replace the tank cap. Be sure not to overfill the tank as water damage may occur to furniture or flooring due to spillage. HUNTER WILL NOT ACCEPT RESPONSIBILITY FOR DAMAGE TO PROPERTY CAUSED BY WATER SPILLAGE.
4. Carry the tank back to the humidifier. Turn the tank upright and place it on the humidifier. Be sure that the tank is seated properly in the Tray. If the tank is properly located on the Tray, you will see air bubbles flowing up into the tank.

Humidifier Maintenance

Many regions have hard water with high concentrations of minerals. When water evaporates from The Hunter® Evaporative Humidifier, minerals may be left behind. These minerals can form a hard white scale which can be removed by following the cleaning instructions. The frequency of cleaning due to mineral build up can vary depending upon the quality of water you may have. Refer to Figure 1 for part names.

1. Turn the humidifier 'OFF' and unplug the unit.
2. Lift the Main Housing as shown in Figure 5. The motor is attached to the main housing. Do not place the motor near water.

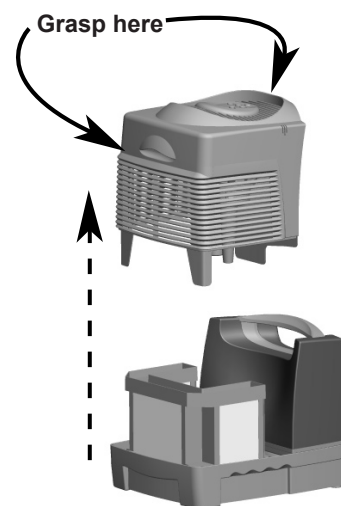


Figure 5

Humidifier Maintenance (Cont.)

3. Remove the Drainage Plate and the three Wicks. See Figures 6A and 6B.

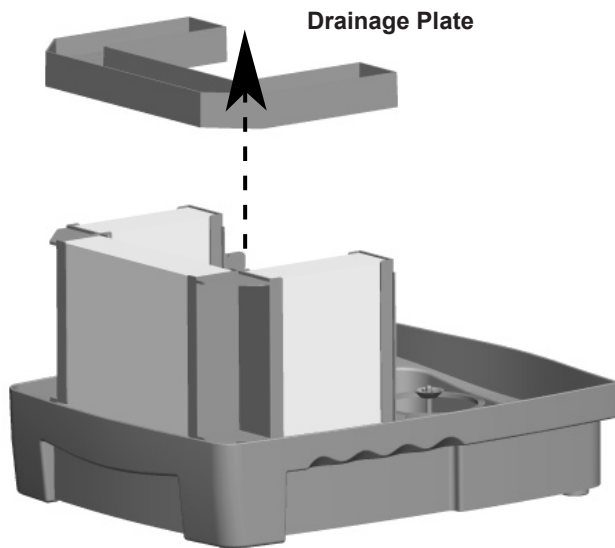


Figure 6A

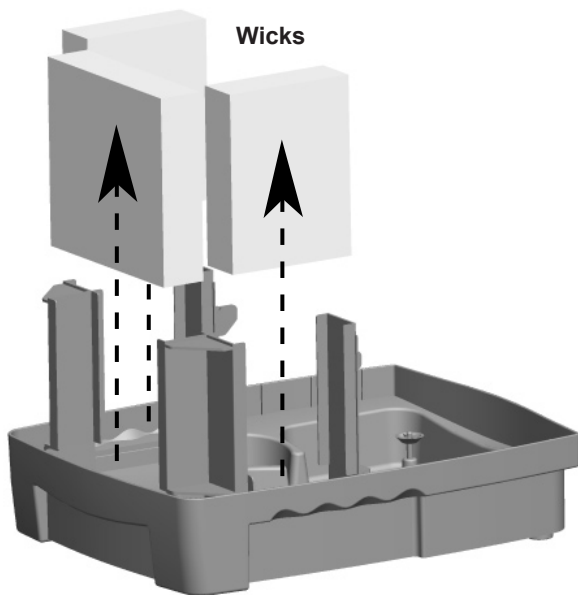


Figure 6B

5. Press the Shower Head Latches in the direction shown in Figure 7, releasing the Shower Head. Then, gently lift the Shower Head from its position and let it rest in the Main Housing.

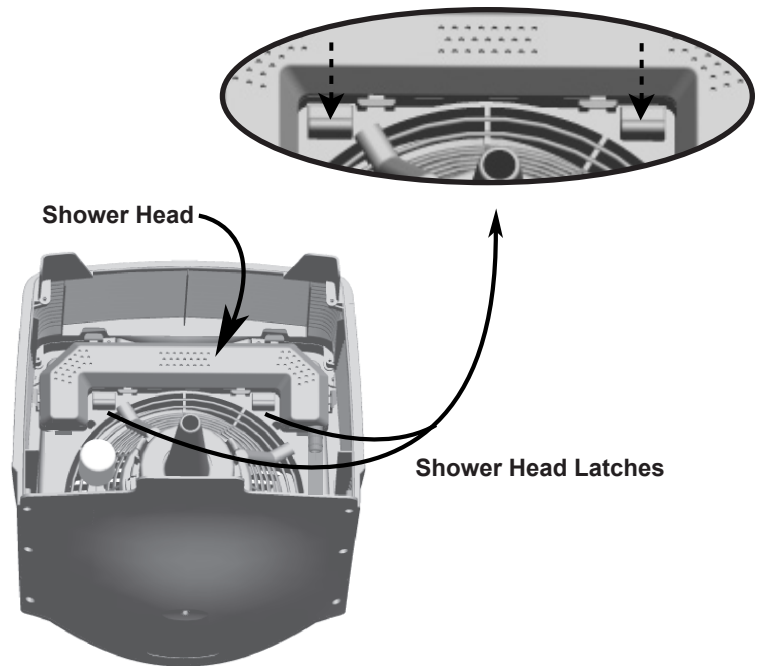


Figure 7

6. Press the three Pump Cover Latches in the direction shown in Figure 8, releasing the Pump Cover.

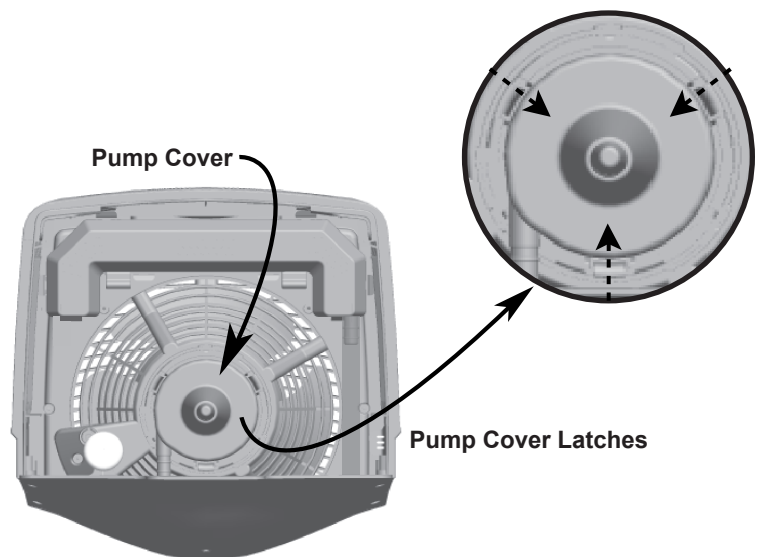


Figure 8

7. Remove the Shower Head, Pump Cover, and Tubing from the Main Housing. See Figure 9.

Humidifier Maintenance (Cont.)

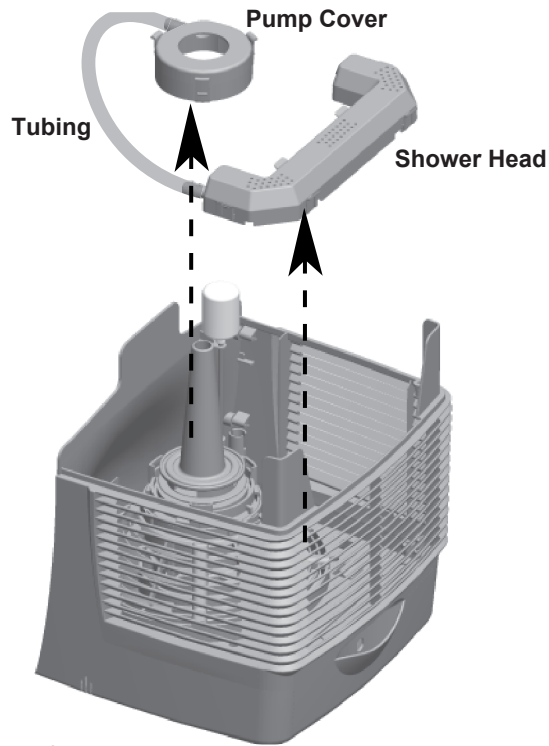


Figure 9

8. Press the six Shower Head Latches in the direction shown in Figure 10 to separate the two halves of the Shower Head.

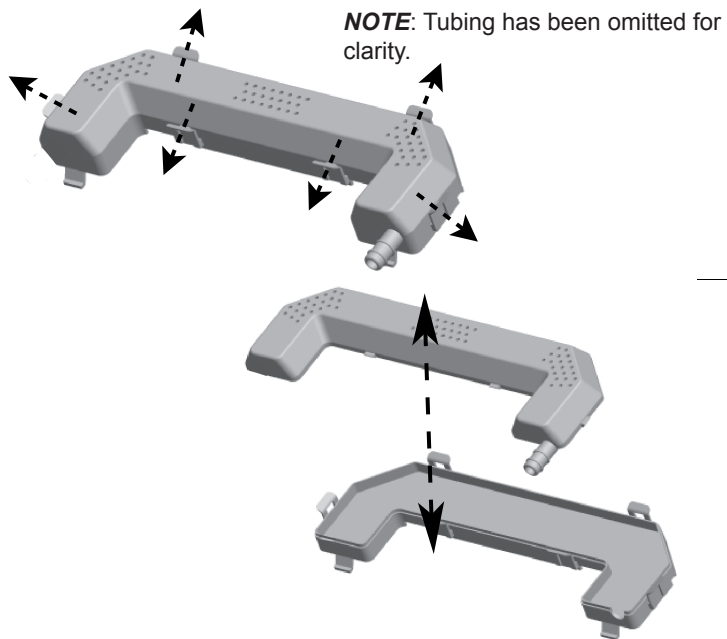


Figure 10

9. Hold the Motor Shaft Stopper Ring so that it can not rotate. Twist the pump counter-clockwise as shown in Figure 11 to loosen it. NOTE: Turning twisting the pump clockwise tightens it.

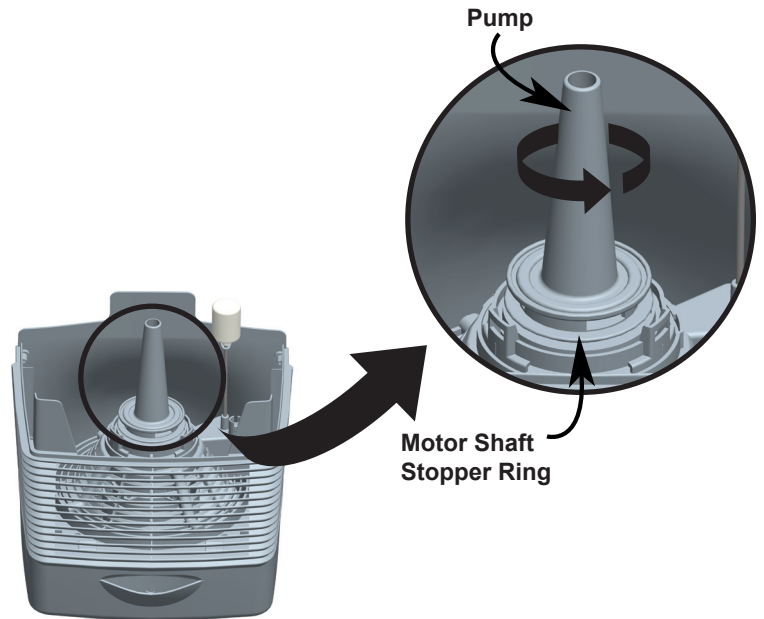


Figure 11

10. Remove the Pump and the Motor Shaft Stopper Ring. See Figure 12.

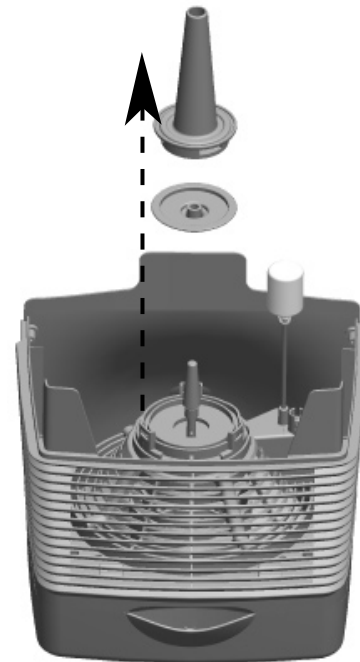


Figure 12

Humidifier Maintenance (Cont.)

11. Do not expose Motor or other electrical components to water. Do not use a wet towel on the Motor or Motor Housing as electrical shock may occur.
12. Remove the Water Tank from the Tray and empty it of any remaining water. Fill the Water Tank with a mixture of one (1) gallon of water and eight (8) ounces of white vinegar. Leave the mixture in the Water Tank for 20 minutes, giving the Water Tank a shake every few minutes. After 20 minutes, give the Water Tank a final shake and discard the mixture. Rinse the Water Tank several times with clean water. Leave the Water Tank Cap off to allow the Water Tank to dry completely.
13. Fill the Tray with a mixture of one (1) gallon of water and eight (8) ounces of white vinegar. Leave the mixture in the Tray for 20 minutes, then discard the mixture. Rinse the Tray well with clean water and let it air dry or wipe it dry with a cloth.
14. Rinse the Shower Head, Pump Cap, Tubing, Pump, and Motor Shaft Stopper Ring in clean water to remove any debris. If the parts show hard water residue, soak them in a mixture of one (1) gallon of water and eight (8) ounces of white vinegar for 20 minutes, then rinse the parts well with clean water.
15. Wipe the surfaces of the main housing with a soft damp cloth.
16. Once all the parts are clean, reassemble the humidifier.
NOTE: The underside of Motor Shaft Stopper Ring has a groove that fits over two nibs on the Motor Shaft. See Figure 13. The groove and the nibs **MUST BE MATED** for the humidifier to be properly reassembled.
17. Follow the USING YOUR HUMIDIFIER section to continue use. If you are storing the humidifier, make sure the parts are completely dry.

**Motor Shaft
Stopper Ring**

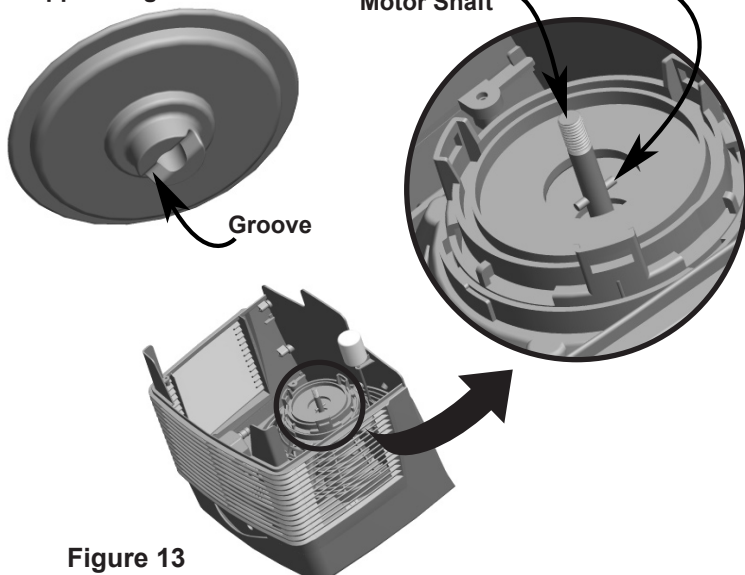


Figure 13

Troubleshooting

Problem:

Excessive noise.

Solution:

1. Check the Water Tank to make sure it is properly seated on the Power Pack.
2. Check the Water Tank to make sure there are no bubbles when the Water Tank is full and running. If there are bubbles, turn the unit OFF until the bubbling stops. When the bubbling has stopped, set the unit to the desired speed.
3. Remove and clean the Pump Cap and Funnel Pump. Refer to the section on CLEANING THE HUMIDIFIER AND THE WATER TANK.

Problem:

Humidifier not working.

Solution:

1. Make sure the Power Knob is not set to OFF.
2. Adjust the humidity level using the Power Knob and the Humidistat Controls. Once the room reaches the set humidity level, the humidifier will turn OFF; this is normal.
3. Make sure the Power Pack and Water Tank are both fully seated in the Tray.

Problem:

Humidifier will not turn on.

Solution:

1. Make sure there is water in the tank.
2. Make sure the Water Tank is properly seated on the Power Pack.
3. Check the humidity levels on the display. If the ambient room humidity is equal to or higher than the set level, the unit will not turn on.

Problem:

Mineral build-up on the Water Tank or Tray.

Solution:

1. Refer to the section on CLEANING THE HUMIDIFIER AND THE WATER TANK.

Problem:

Humidity output and water usage decreased.

Solution:

1. Check the Humidistat Setting and Power Knob to make sure they are set to the desired humidity level.
2. Check the Water Tank to make sure there are no bubbles when the Water Tank is full and running. If there are bubbles, turn the unit OFF until the bubbling stops. When the bubbling has stopped, set the unit to the desired speed.

Troubleshooting (Cont.)

3. Clean any components that have mineral build-up. Refer to the section on CLEANING THE HUMIDIFIER AND THE WATER TANK.

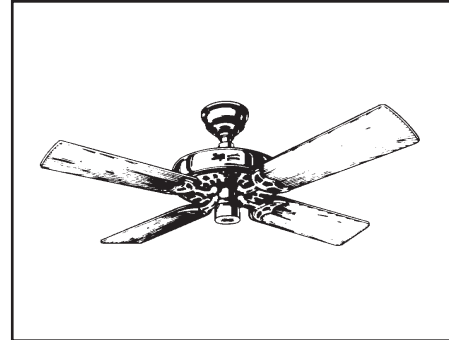
If you have questions or problems, please call 1-888-830-1326 for assistance before returning the unit to the retailer.

Service Parts

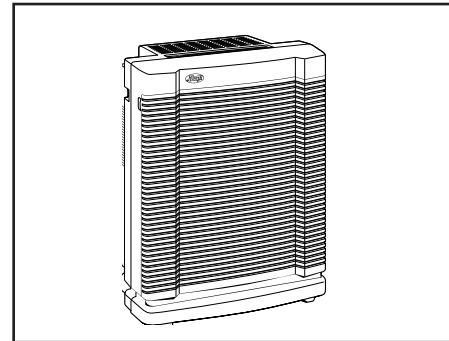
To obtain a service part for your humidifier, call customer service at 1-888-830-1326 or from Canada 1-866-268-1936. You may also e-mail us at techsupport@hunterfan.com. Please be prepared to tell the operator the model number of your humidifier and the name of the part you need to replace and the part number. Refer to Figure 1 for part names.

Model No.	Tray	Tank Assembly	Replacement Wick Set
34407	97668	97670	87955

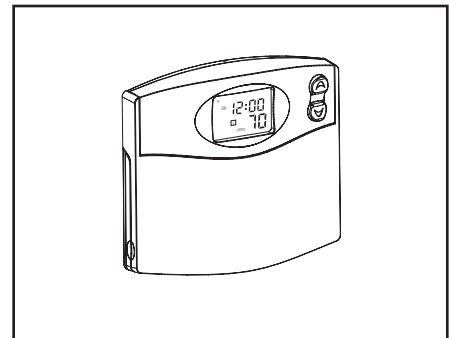
Other Home Comfort Products from Hunter



Hunter Original®



Air Purifier



Programmable Thermostat

HUNTER FAN COMPANY
2500 FRISCO AVENUE
MEMPHIS, TN 38114, USA



To learn more about Hunter Fan Company products, please see our web page at:
www.hunterfan.com