

1 **Parts to assemble:**
 2 Leg Assembly
 1 Front Panel
 1 Side Support Brace
 4 Carriage Bolt, 2"
 4 Plastic Tee Knob

A. Lay leg assemblies on their sides.
 B. Place front panel on legs.
 C. Braces attach to inside of legs.
 D. Secure with carriage bolts and tee knobs.
NOTE: Leave tee knobs loose on right side.

Front Panel
 Leg Assembly
 Side Support Brace (Fits inside legs.)
 Leave these loose.

Qty. 4
 Qty. 4
 Qty. 4

NOTE: To prevent scratching, lay grill on packing material to assemble.

2 **Parts to assemble:**
 1 Back Support Brace
 4 Carriage Bolt, 2"
 4 Plastic Tee Knob
 2 Wheel Assembly
 1 Tank Support Bracket
 2 Hitch Pin
 2 Leg Extender

Wheels with attached axle.

A. Turn assembly upside-down.
 B. Secure back brace and side brace to left leg and back brace to right leg with carriage bolts and tee knobs. **NOTE:** Leave tee knobs loose on right side.
 C. Insert wheel assemblies into legs and bracket. Bracket fits inside legs.
 D. Secure with hitch pin in axle bolt hole closest to leg.
 E. Push leg extenders into right legs.

Wheel Assembly
 Tank Support Bracket
 Leg Extender
 Back Support Brace

Qty. 4
 Qty. 4
 Qty. 2

OR

2 **Parts to assemble:**
 1 Back Support Brace
 4 Carriage Bolt, 2"
 4 Plastic Tee Knob
 1 Tank Support Bracket
 2 Wheel
 2 Axle Bolt
 2 Hitch Pin
 2 Leg Extender

Wheels with separate axle bolt.

A. Turn assembly upside-down.
 B. Secure back brace and side brace to left leg and back brace to right leg with carriage bolts and tee knobs. **NOTE:** Leave tee knobs loose on right side.
 C. Insert axle bolts through wheels, left legs and bracket. Bracket fits inside legs.
 D. Secure with hitch pins in ends of axle bolts
 E. Push leg extenders into right legs.

Wheel Assembly
 Tank Support Bracket
 Leg Extender
 Back Support Brace

Qty. 4
 Qty. 2
 Qty. 4
 Qty. 2

3 **Parts to assemble:**
 1 Condiment Basket

A. Stand cart upright.
 B. Place condiment basket hooks over front panel bolts on inside of front leg. See inset **A**.
 C. Place condiment basket hooks over back support brace bolts on outside of brace. See inset **B**.
 D. Fully tighten tee knobs on both legs.

Condiment Basket

Qty. 4
 Qty. 4

4 **Parts to assemble:**
 1 Grill Bottom Assembly
 4 Carriage Bolt, 1/4"
 4 Metal Wing Nut
 2 Control Knob

A. Stand cart upright.
 B. Make sure ignitor wire is connected to ignitor.
 C. Place grill bottom onto supports. Control panel overlaps front panel.
 D. Secure with carriage bolts and wing nuts.
 E. Press control knobs onto valves.

Grill Bottom
 Control Knobs
 Control Panel
 Ignitor Wire

Qty. 4
 Qty. 4

5 **Parts to assemble:**
 1 V Bar
 1 Cooking Grate

A. Place V bar onto supports at each end of grill bottom.
 B. Place cooking grate onto grill bottom.

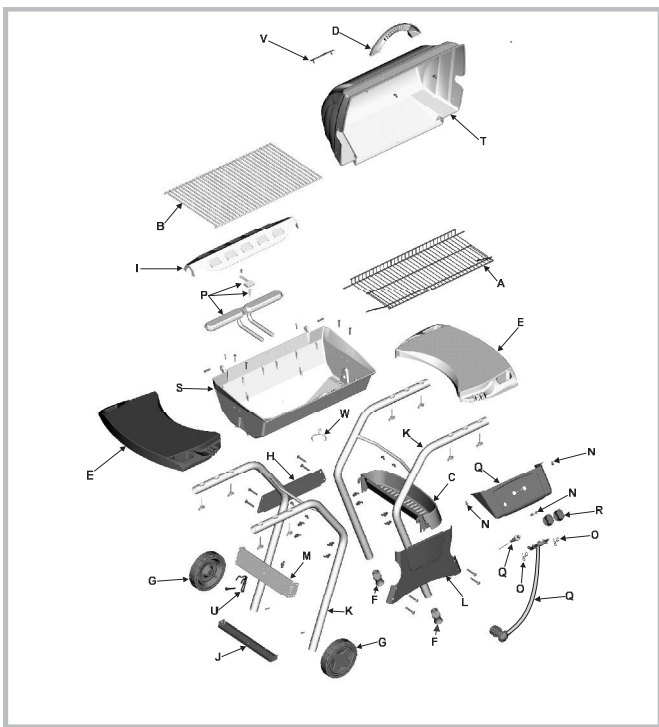
Cooking Grate
 V Bar

NOTE:
 Ceramic briquets are not required.

Parts List - Model 463750506

Key	Qty.	Description	Part #	Key	Qty.	Description	Part #
A	1	SwingAway	4152124	W	1	Grease Clip	5156807
B	1	Cooking Grate	4152739		1	Hardware Bag, Cart	4254079
C	1	Condiment Basket	4154271		2	Hardware Bag, Shelves	4254050
D	1	Handle	4154488				
E	2	Side Shelf	4154542				
F	2	Leg Extender	4154540				
G	2	Wheel Assembly	4310002				
H	1	Back Support Brace	4500251				
I	1	V-Bar	4500290				
J	1	Tank Support Bracket	4503122				
K	2	Leg Assembly	7001273				
L	1	Front Panel	4503136				
M	1	Side Support Brace	4503120				
N	4	#10x1/2", T-20, Self-Tap Screw	4080043				
O	2	Valve Clip	4151043				
P	1	Burner/Collector Assembly	4505084				
Q	1	Control Panel Assembly	4530257				
R	2	Control Knob	4154470				
S	1	Grill Bottom	4580184				
T	1	Grill Lid	4580467				
U	1	Tank Retainer Wire	4151018				
V	1	Logo Plate	4157147				

Optional Assembly Hardware
 We realize some customers prefer to use tools. Optional hex nuts have been provided for you to use.



QUICKSET®

463750506
ASSEMBLY MANUAL

THIS GRILL IS FOR OUTDOOR USE ONLY

CAUTION: Read and follow all safety statements, assembly instructions, and use and care directions before attempting to assemble and cook.

INSTALLER/ASSEMBLER: Leave these instructions with consumer.
CONSUMER: Keep this manual for future reference.

WARNING
 Failure to follow all manufacturer's instructions could result in serious personal injury and/or property damage.

CAUTION
 Some parts may contain sharp edges – especially as noted in the manual! Wear protective gloves if necessary.

If you have any questions or need assistance during assembly, please call 1-800-241-7548.

Visit us on the web at: www.charbroil.com

NO TOOLS REQUIRED

Register your grill online at WWW.GRILLREGISTRATION.COM

STOP

If you have any problems with this product, call 1-800-241-7548

Open 8:00 A. M. To 6:00 P. M. EST
 Monday - Friday

Before returning this product to the store. We can help with damaged or missing parts, assembly and operation questions.

Printed in USA
 463750506 / 1-7001271 (10-28-05)
 © 2005 W. C. Bradley Co., All Rights Reserved

Char-Broil
 KEEPERS OF THE FLAME
 COLUMBUS, GA