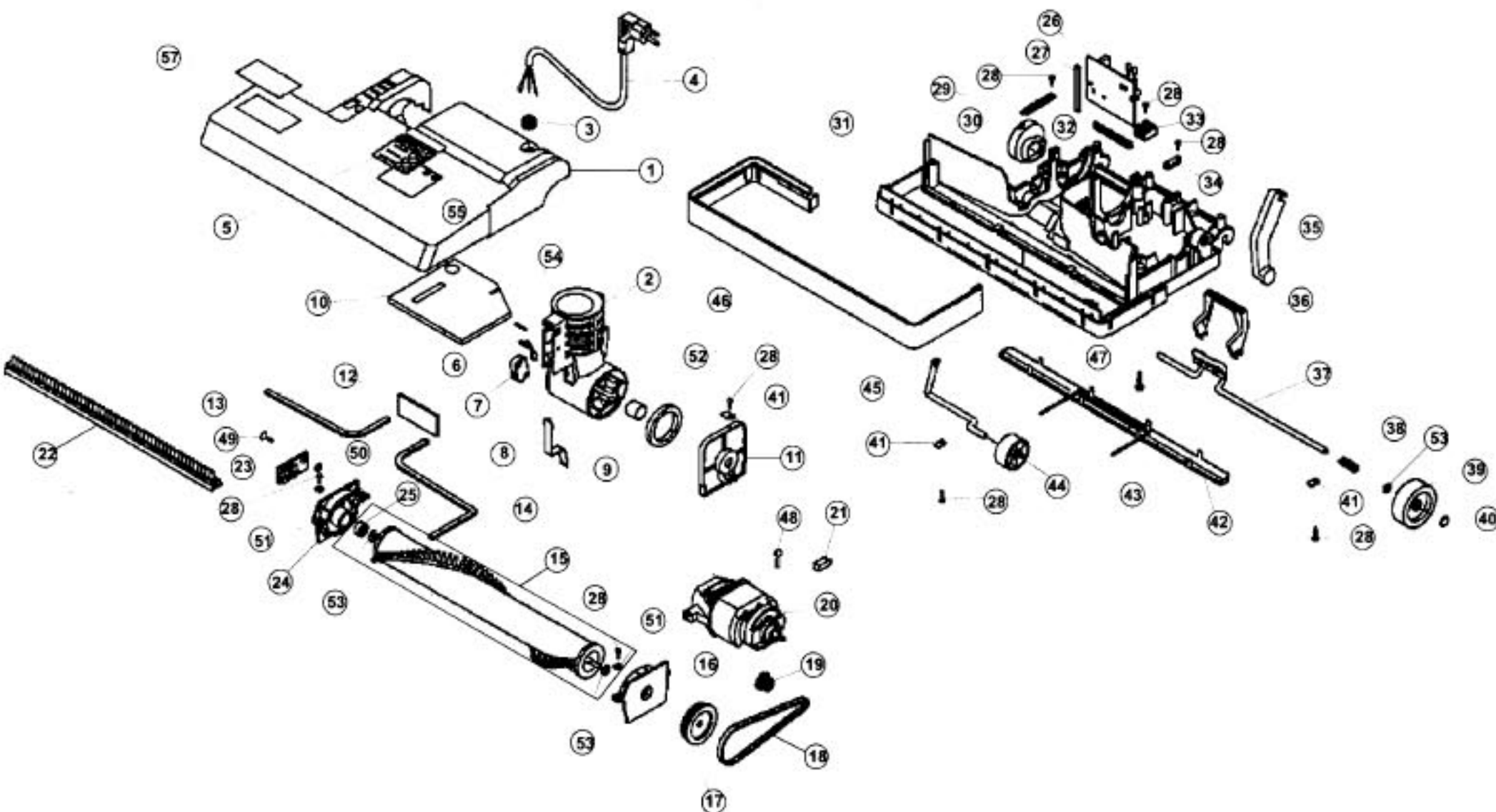


Index	Part No.	Description
1		Plastic clamp 5/16
2	R-370012	Wand
3	R-370014	Upper handle
4		Housing release knob
5	R-370026	Strain relief
6		Hose lock adaptor
7	R-370029	Hose lock ring
8	R-370036	Upper hose
9		Motor gasket
10		Motor dampener
11	R-370097	Crevice tool
12		Strain relief housing
13		Handle cap
14		Front panel housing
15		Motor housing
16	R-370213	Filter door assembly
17		Hose coupling connector
18		Clip, bag latch
19		Cover, bag latch
20		Button, filter cover
21		Lock and release cam
22		Motor cover
23		Wire form, lock release
24		Spring, cover button
25		Spring, bag latch
26	R-370187	Carrying handle
27		Lens, bag full indicator light
28		Latch cover
29	R-370190	filter frame
30		Hold down tab
31		Latch
32		Cover, electronics
33		Spring, cord hook
34		Accessory tool clip
35		Spring, bag cover latch
36		Lower handle
37		Back panel gasket
38	R-370221	Type S bag, 10 pack
	R-53638	Type S hospital bag, 10 pack
39		Rivet

Index	Part No.	Description
40		Backer plate
41		Base release, decal
42	R-370206	Rear housing cover
43		Carrying handle, decal
44		Screw
45	R-53660	Hospital filter, 10 pack
46		Screw
47		Thermodisc
48		Screw
49	R-740704	Motor
50		Screw
51	R-740705	Power cord
52		Screw
53		Switch
54		Screw
55		Terminal
56		Nut
57		PC Board
58		AC Power receptacle
59		Grounding wire assembly
60		Wire assembly
61		Wire harness
62		Pop rivet
63	R-370194	Cord hook
64		Washer
65		Screw
66		Flat washer
67		Caution, decal
68		Insert hose, decal
69		Screw
70		Data plate
71		Warning, decal
72		Insulator pad
73		Decal bag install
74		Strain relief
75	R-370068	Carbon brush
76		Motor gasket
77		Motor cover gasket
78		Royal logo, decal

POWER NOZZLE



Index	Part No.	Description
1	R-370065P	Base cover assembly
2	R-370141	Coupling pivot housing assembly
3	R-370088	Grommet
4	R-740729	Power cord
5		Brush monitor, decal
6		Switch finger
7		Switch
8		Cover, coupling pivot switch
9		Felt ring flange
10		Insulator pad
11		Coupling pivot plate
12		Felt strip base cover
13		Gasket, intake cover 8"
14		Gasket, intake cover 11"
15	R-370277	Brush assembly, 14"
16	R-370022	End plate/drive brush
17	R-370052	Brush drive pulley
18	R-370043	Belt
19	R-370209	Drive pulley, motor
20	R-740700	Brush motor
21		Carbon brush
22	R-370083	Brush strip assembly
23	R-370044	Brush strip door
24	R-370023	End plate/idle brush
25		Bearing, brush
26	R-740719	Electronic control 18"
27		3" cushion, C.B.
28		Screw
29		Spring

Index	Part No.	Description
30		Head cam
31		Base assembly
32		Rubber strip
33		Terminal block
34		Cover, strain relief
35	R-370180	Side arm support
36	R-370021	Foot release pedal
37		Rear axle
38		Spring, axle
39	R-370009	2" wheel
40		Wheel hubcap
41		Axle retainer, plate
42		Brush protector/guard - metal
43		Wire form, brush protector
44		1 1/2" wheel
45		Wheel axle
46		Bumper
47		Screw 10-32 x 1.25
48		Screw 8-32 x .62
49		Screw 6-32 x .37
50		Pushnut bolt retainer
51		Flat washer #8
52		Bush bearing coupling
53		Flat washer .25
54		Straight knurled pin
55		Caution, decal
56		Wavey washer
57		Royal, decal