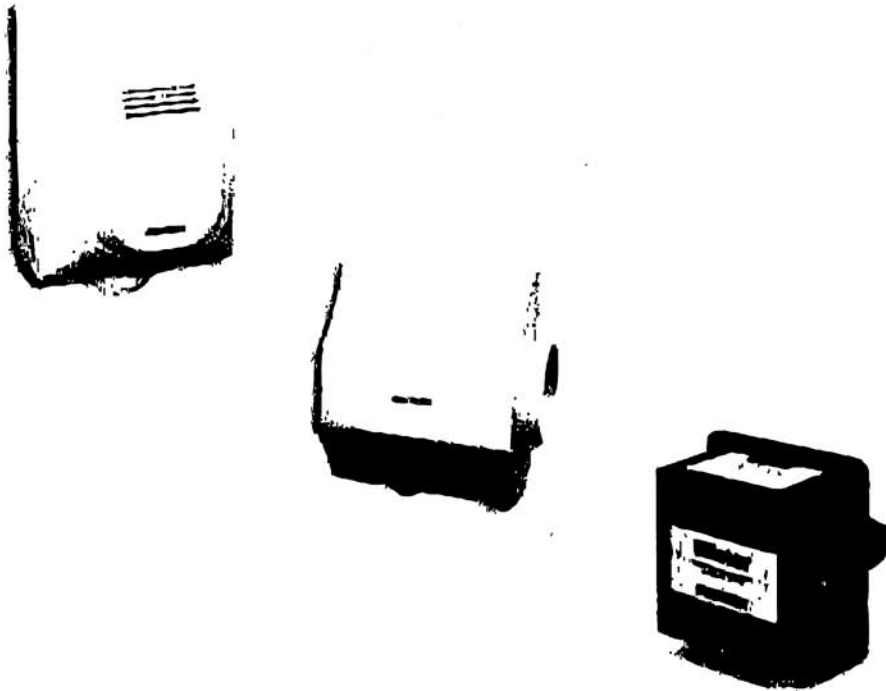


PROTECH

84-25054

Parts List
23-December-2008



*This parts list is current as of the above revision date.
See <http://www.rheempartslists.net/92-42804-84-25054.pdf> for the current revision.*

Humidifiers

Table of Contents

| | |
|-----------------------------|---------|
| Model Explanation | Page 3 |
| Parts Numbers | |
| Model 01..... | Page 4 |
| Model 02..... | Page 5 |
| Model 04..... | Page 6 |
| Model 05..... | Page 7 |
| Drawings/Photographs | |
| Exploded View 01 | Page 8 |
| Exploded View 02 | Page 9 |
| Exploded View 04 | Page 10 |
| Exploded View 05 | Page 11 |
| Notes/Disclaimer | Page 12 |

MODEL NUMBER EXPLANATION

| | | | | | | | | | | |
|----------|----------|----------|----------|----------|----------|----------|----------|----------|----------|----------|
| 8 | 4 | - | 2 | 5 | 0 | 5 | 4 | - | 0 | 1 |
| 1 | | | 2 | | | | | 3 | | |

- 1** **PRODUCT TYPE**
84 = IAQ Product

- 2** **SERIES**
25054

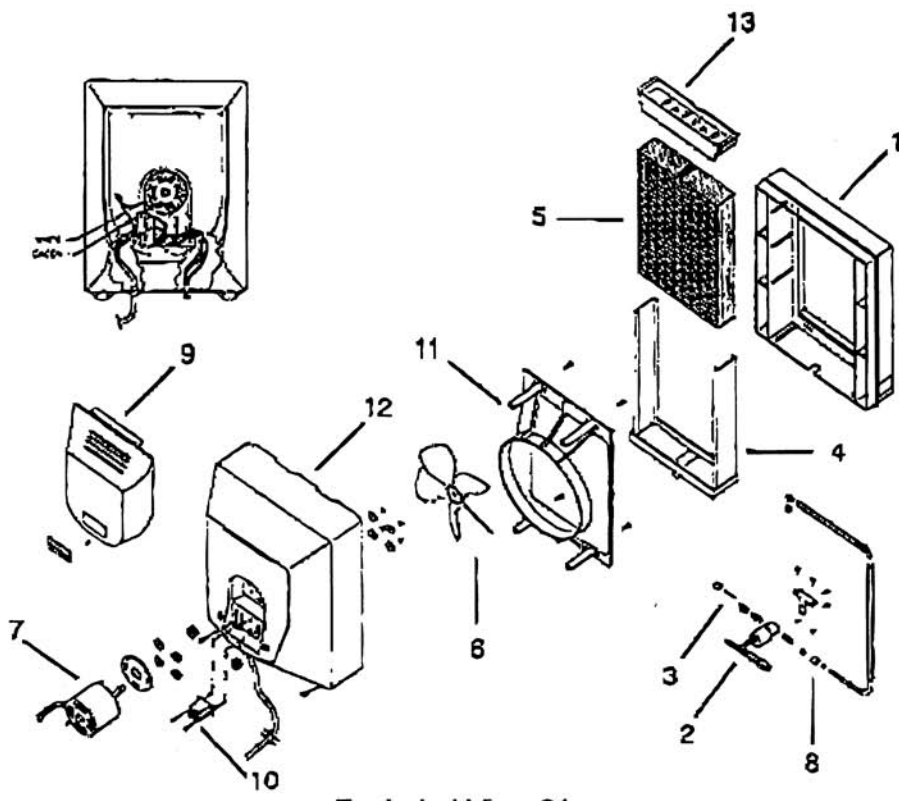
- 3** **MODEL**
01 = Power Bypass
02 = Flow-Thru Bypass 200
04 = Atomizer
05 = Flow-Thru Bypass 300

| No. | Notes | SERIES MODEL | 84-25054 -01 |
|-----|-------|-----------------------------|-----------------|
| 1 | | Base | 89-25055-04 |
| 2 | | Brass Solenoid Assembly 24V | 61-25055-07 |
| 3 | | Cone Mesh Filter | 54-25055-10 |
| 4 | | Drain Tray Assembly | 89-25055-58 |
| 5 | | Evaporator Pad | 84-25055-01 |
| 6 | | Fan Blade - 9 in. | 70-25055-13 |
| 7 | | Fan Motor 120V | 51-25055-14 |
| 8 | | Fluid Restrictors | 45-25055-15 |
| 9 | | Motor Cover | 89-25055-17 |
| 10 | | Relay 24V | 42-25055-19 |
| 11 | | Shroud | 89-25055-20 |
| 12 | | Unit Cover | 89-25055-21 |
| 13 | | Water Distribution Tray | 89-25055-22 |
| | | Transformer | 46-25055-27 |
| | | Humidistat | 45-25055-99 |
| | | White Humidistat Knob | 45-25055-29 |

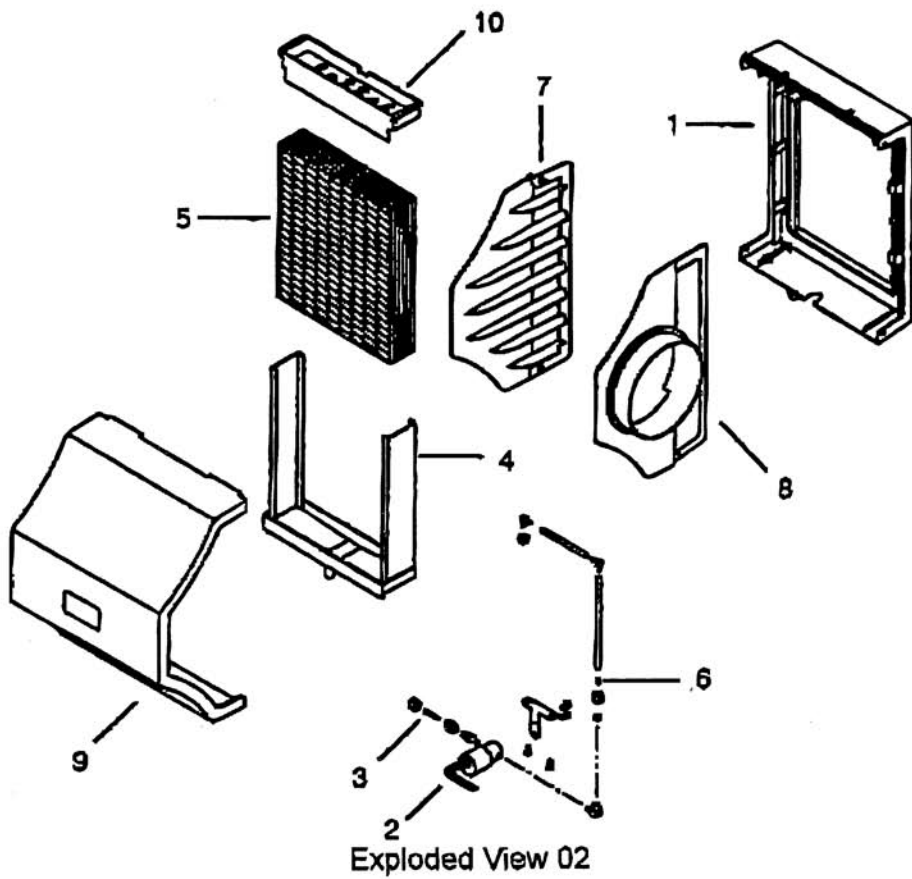
| No. | Notes | SERIES MODEL | 84-25054 -02 |
|-----|-------|-----------------------------|-----------------|
| 1 | | Base | 89-25055-05 |
| 2 | | Brass Solenoid Assembly 24V | 61-25055-08 |
| 3 | | Cone Mesh Filter | 54-25055-11 |
| 4 | | Drain Tray Assembly | 89-25055-12 |
| 5 | | Evaporator Pad | 89-25055-02 |
| 6 | | Fluid Restrictors | 45-25055-16 |
| 7 | | Side Panel | 89-25055-23 |
| 8 | | Side Panel with Colar | 89-25055-24 |
| 9 | | Unit Cover | 89-25055-25 |
| 10 | | Water Distribution Tray | 89-25055-25 |
| | | Transformer | 46-25055-28 |
| | | Humidistat | 45-25055-99 |
| | | White Humidistat Knob | 45-25055-30 |

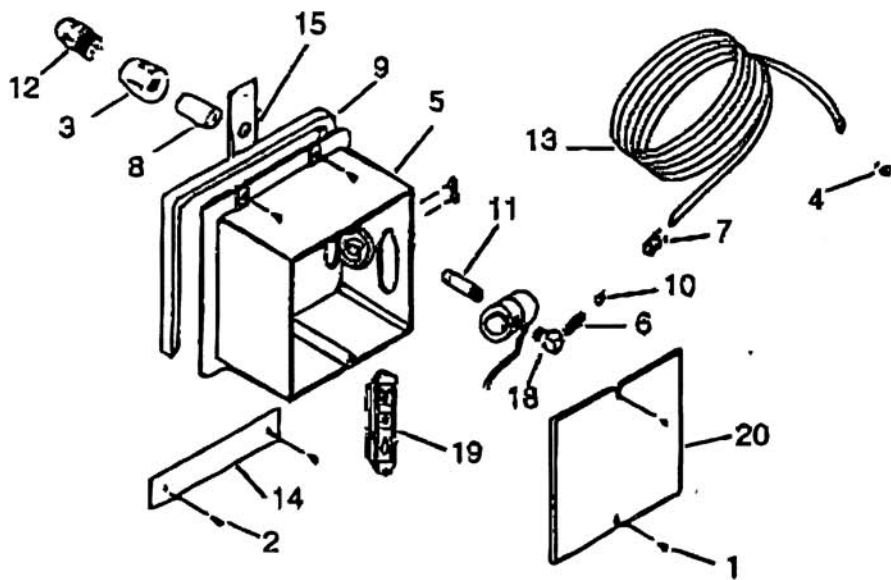
| No. | Notes | SERIES MODEL | 84-25054 -04 |
|-----|-------|----------------------------------|-----------------|
| 1 | | 8 x 1/2 in. Truss Head Screw | 63-25055-59 |
| 2 | | 10 x 1/2 in. Screw (4) | 63-25055-44 |
| 3 | | Adapter | 80-25055-61 |
| 4 | | Brass Compression Sleeve | 80-25055-62 |
| 5 | | Case | 89-25055-63 |
| 6 | | Connector | 80-25055-64 |
| 7 | | Delrin Sleeve (replaces 2410) | 80-25055-65 |
| 8 | | Drip Sleeve | 80-25055-66 |
| 9 | | Foam Seal 15 in. | 68-25055-67 |
| 10 | | Insert (replaces 2411) | 80-25055-68 |
| 11 | | Nipple | 80-25055-69 |
| 12 | | Nozzle (.75) | 62-25055-70 |
| | 1 | O-ring | 88-25055-101 |
| 13 | | Plastic Tubing 1/4 in. | 79-25055-71 |
| 14 | | Retainer | 89-25055-72 |
| 15 | | Slide | 87-25055-73 |
| 16 | | Solenoid 24V (replaces 12004-01) | 61-25055-74 |
| 17 | | Solenoid 120V | 61-25055-75 |
| 18 | | Street ELL | 80-25055-76 |
| 19 | | Thermostat | 41-25055-77 |
| 20 | | Wire Nut Connector | 45-25055-78 |
| | | Humidistat | 45-25055-99 |

| No. | Notes | SERIES MODEL | 84-25054 -05 |
|-----|-------|-------------------------------|-----------------|
| 1 | | Base | 89-25055-04 |
| 2 | | Brass Solenoid Assembly 24VAC | 61-25055-07 |
| 3 | | Conical Mesh Filter | 84-25055-10 |
| 4 | | Drain Tray Assembly | 89-25055-93 |
| 5 | | Evaporator Pad | 84-25055-01 |
| 6 | | Fluid Restrictors | 45-25055-16 |
| 7 | | Grommet | 89-25055-96 |
| 8 | | Side Panel | 89-25055-23 |
| 9 | | Side Panel w/Collar | 89-25055-24 |
| 10 | | Transformer 120/24V | 46-25055-27 |
| 11 | | Transformer 240/24V | 46-25055-28 |
| 12 | | Unit Cover | 89-25055-21 |
| 13 | | Water Distribution Tray | 89-25055-22 |
| 14 | | Saddle Valve Assembly | 61-25055-98 |
| 15 | | Humidistat | 45-25055-99 |

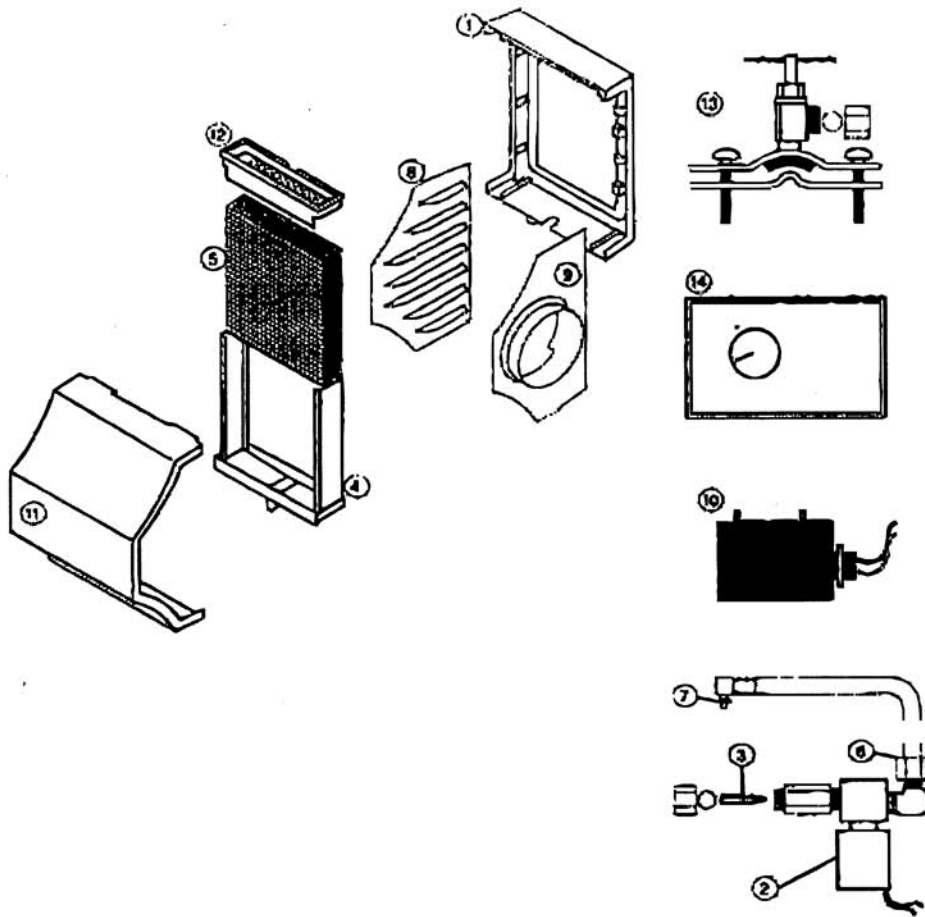


Exploded View 01





Exploded View 04



Exploded View 05