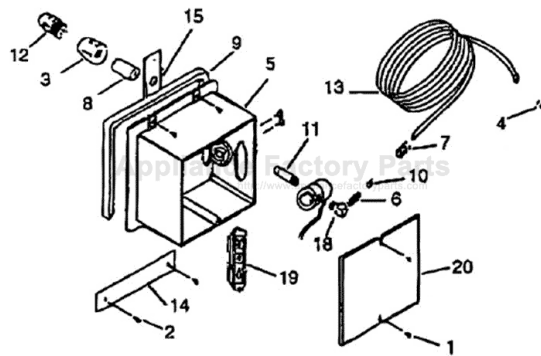


This Owner's Manual is provided and hosted by [Appliance Factory Parts](#).



Rheem 84-25054-04 Owner's Manual

[Shop genuine replacement parts for Rheem
84-25054-04](#)



[Find Your Rheem Humidifier Parts - Select From 8 Models](#)

----- Manual continues below -----

Humidifiers



RHEEM[®]
Air Conditioning



**84-25054-01
POWER BYPASS**



**84-25054-02 & 84-25054-05
FLOW-THRU BYPASS**



**84-25054-04
ATOMIZER**



**84-25054-08
DRUM TYPE**

WHY HUMIDIFY?

- Behind air conditioning, winter humidification is the second most requested feature in new homes.
- Adding humidification will reduce energy costs — homeowners are more comfortable at lower thermostat settings.
- Proper humidification reduces annoying static electricity and contributes to the well-being of pets and indoor plants.
- Proper humidification protects wooden floors, cabinets and furnishings.
- Recommended indoor humidity is between 30% and 50%. More or less can increase the likelihood of bacteria, virus, fungus and mites — which can contribute to respiratory problems.
- Proper humidification increases indoor COMFORT!

CAPACITY GUIDE

The following table shows gallons per day (GPD) needed for optimum comfort based on various home sizes and construction characteristics:

Square Footage	Tight House	Average House	Loose House
1000	0.5 GPD	5.0 GPD	10.0 GPD
1500	3.0 GPD	10.0 GPD	16.5 GPD
2000	5.0 GPD	14.0 GPD	24.0 GPD
2500	7.5 GPD	19.0 GPD	30.5 GPD
3000	10.0 GPD	23.5 GPD	37.5 GPD
4000	14.5 GPD	33.0 GPD	51.5 GPD

Calculations based on:

- Indoor temperature of 70°F and 35% relative humidity
- Outdoor temperature of 20°F and 70% relative humidity
- 8' ceiling height
- Internal moisture gain of 1 lb. per hour
- Furnace on-time of 70%

Tight House - Well insulated with vapor barriers, tight storm doors and windows, and dampered fireplace. Air change rate of .50 changes per hour.

Average House - Insulated with a dampered fireplace. No vapor barriers. Loose storm doors and windows. Air change rate of 1.0 change per hour.

Loose House - Constructed before 1930. Little or no insulation. No storm doors or windows, no weather stripping or vapor barriers. No dampering of fireplaces. Air change rate as high as 1.5 changes per hour.

SPECIFICATIONS:

STYLE	POWER	BYPASS 200		BYPASS 300		ATOMIZER	DRUM
Part No.	84-25054-01	84-25054-02		84-25054-05		84-25054-04	84-25056-08
Duct Mounting	Supply	Return	Supply	Return	Supply	Supply	Return
GPD @ 140°F	24.0	16.1	18.7	20.0	23.3	11.0	6.0
GPD @ 120°F	19.0	12.4	14.4	15.4	18.0	11.0	6.0
GPD @ 100°F	14.5	8.2	9.5	11.0	12.8	Not Recommended For Heat Pumps	6.0
Voltage	115V	24V		24V		24V	115V
Unit WxDxH	13" x 11 1/2" x 18 3/4" (incl. solenoid)	11 1/2" x 9 1/2" x 16 1/2" (incl. solenoid)		11 1/2" x 9 1/2" x 19 1/2"		6" x 2 3/4 x 6"	10 1/2" Dia x 12" H
Duct Opening WxH	12 1/4" x 15 1/4"	8 5/8" x 10 3/4"		8 5/8" x 13 3/4"		5" x 5 3/8"	3 1/2" Dia
Shipping Wgt.	17 lbs.	8.15 lbs.		8.4 lbs.		3 lbs.	13 lbs.
Standard Equipment	<ul style="list-style-type: none"> • Wall/duct-mount humidistat • Self-piercing saddle valve • Power cord • Transformer 	<ul style="list-style-type: none"> • Wall/duct-mount humidistat • Self-piercing saddle valve • Transformer 	<ul style="list-style-type: none"> • Wall/duct-mount humidistat • Self-piercing saddle valve • Transformer 	<ul style="list-style-type: none"> • Wall/duct-mount humidistat • Self-piercing saddle valve • 10' water tubing 	<ul style="list-style-type: none"> • Wall/duct-mount humidistat • Self-piercing saddle valve • 10" water tubing • Dome top • Elbow top • Elbow extension 		
Features/Description	<ul style="list-style-type: none"> • Mounts on 14" sheet metal or fiberglass duct (w/kit) • Brass solenoid • Cleanable/replaceable internal waterfilter protects solenoid • Attractive design & finish • Neutral beige color • Motor cap for easy access to wiring • 2" pad for greater evaporative area • Control .3 A @ 24VAC, 60Hz • Motor 115VAC, 60Hz, 2.0 A 	<ul style="list-style-type: none"> • Right or left-hand discharge w/o disassembly • Mounts on 10" duct • Wide 1-1/2" collar • Flexible or hard round duct • Single captive screw secures cover • Brass solenoid • Cleanable/replaceable internal water filter protects solenoid • Attractive design & finish • Neutral beige color • 2" pad for greater evaporative area 	<ul style="list-style-type: none"> • Right or left-hand discharge w/o disassembly • Mounts on 10" duct • Wide 1-1/2" collar • Flexible or hard round duct • Single captive screw secures cover • Brass solenoid • Cleanable/replaceable internal water filter protects solenoid • Attractive design & finish • Neutral beige color • 2" pad for greater evaporative area 	<ul style="list-style-type: none"> • Tilt-out mounting • .375 GPH stainless steel nozzle w/ stainless steel 100 mesh filter screen • Patented multi-position adjustable nozzle • 2-Year Warranty 	<ul style="list-style-type: none"> • Fast installation • Easy assembly • Adjustable from 20 to 80% humidity • No pads or filters to change • 2-Year Warranty • Replaces 707SM and 707TW • Universal Mounts-under duct, side duct, or thru-the-wall 		
Replacement Pad P/N	• 84-25055-01	• 84-25055-02		• 84-25055-01		• Not Required	• Not Required



P.O. Box 17010, Fort Smith, AR, 72917 • 3900 South Zero Street, Fort Smith, AR, 72908
 Phone: (479) 646-4311 • Fax: (479) 648-4792
 Specifications are subject to change without notice.