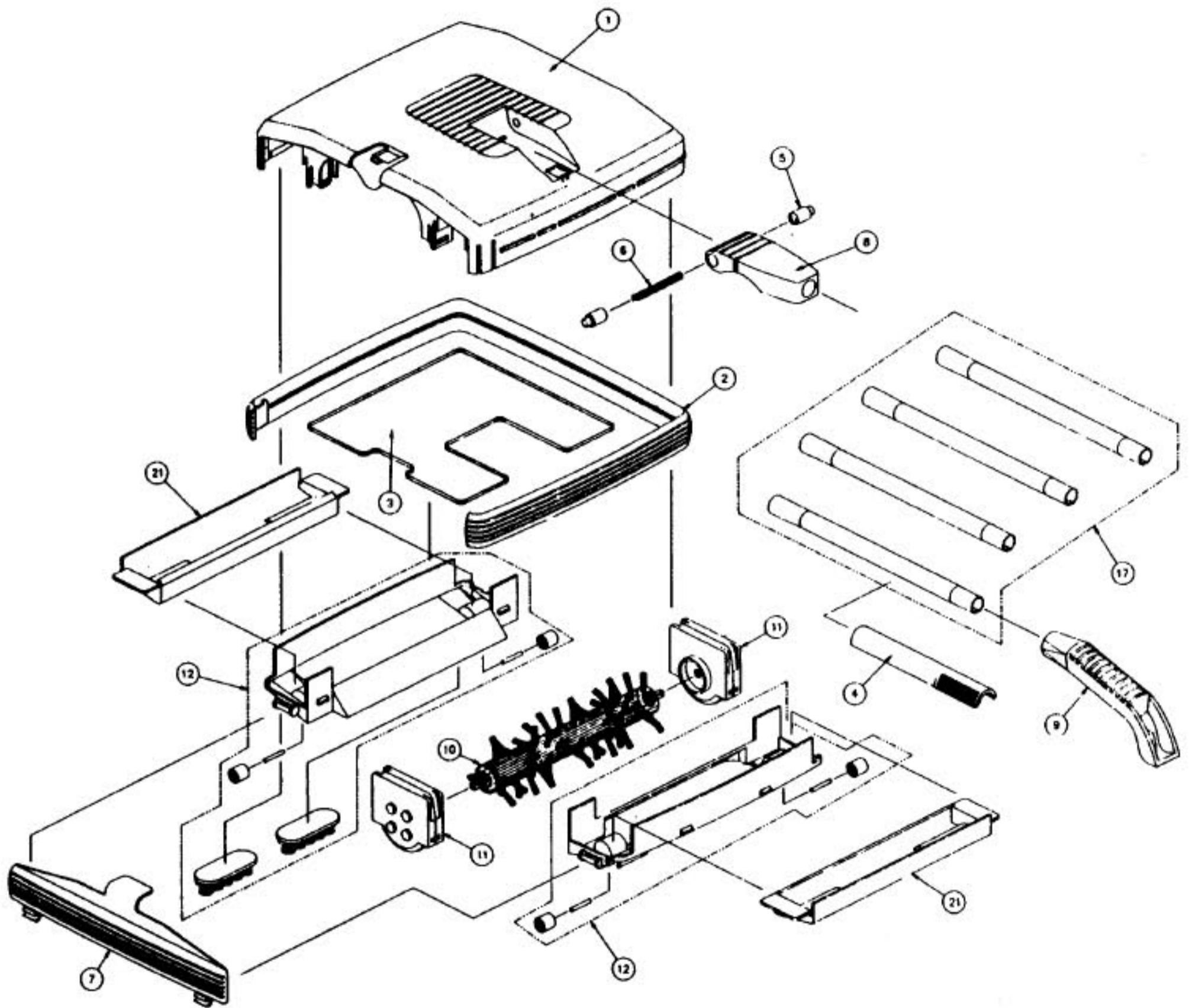


Models: M060, M061, M065, M070, M071, M080, M081, M085



- | | | | | | |
|--------|----------------|-------------------------------------|---------|---------------|---|
| 1..... | NLA..... | Top Housing, M060 | 8..... | R-060530..... | Pivot |
| 1..... | R-0601003..... | Top Housing, M070 | 9..... | NLA..... | Grip |
| 1..... | NLA..... | Top Housing, M065 | 10..... | R-060273..... | Brush Roll Assy, nylon, M060, M065,
M070, M080, M085 |
| 1..... | NLA..... | Top Housing, M061, M071 | 10..... | R-071273..... | Brush Roll Assy, horsehair, M061, M071, M081 |
| 1..... | NLA..... | Top Housing, M085 | 11..... | R-060512..... | Gear Housing Assy |
| 1..... | NLA..... | Top Housing, M080 | 11..... | R-080512..... | Gear Housing Assy, M080, M081, M085 |
| 1..... | NLA..... | Top Housing, M081 | 12..... | R-061520..... | Pan, Wheel & Pin Assy |
| 2..... | R-060201..... | Bumper | 12..... | NLA..... | Pan, Wheel & Pin Assy, M080, M081, M085 |
| 2..... | R-080201..... | Bumper, M080, M081, M085 | 12..... | NLA..... | Front Pan Assy, horsehair, M061, M071 |
| 3..... | NLA..... | Foam, top housing | 12..... | NLA..... | Front Pan Assy, nylon, M065, M070 |
| 3..... | NLA..... | Foam, top housing, M080, M081, M085 | 17..... | R-160560..... | Tube Assembly, complete |
| 4..... | R-060217..... | Brush Comb | 21..... | NLA..... | Tray, inner, M070, M071, M080, M081, M085 |
| 5..... | NLA..... | Plunger | | | |
| 6..... | NLA..... | Spring | | | |
| 7..... | R-060505..... | Door | | | |