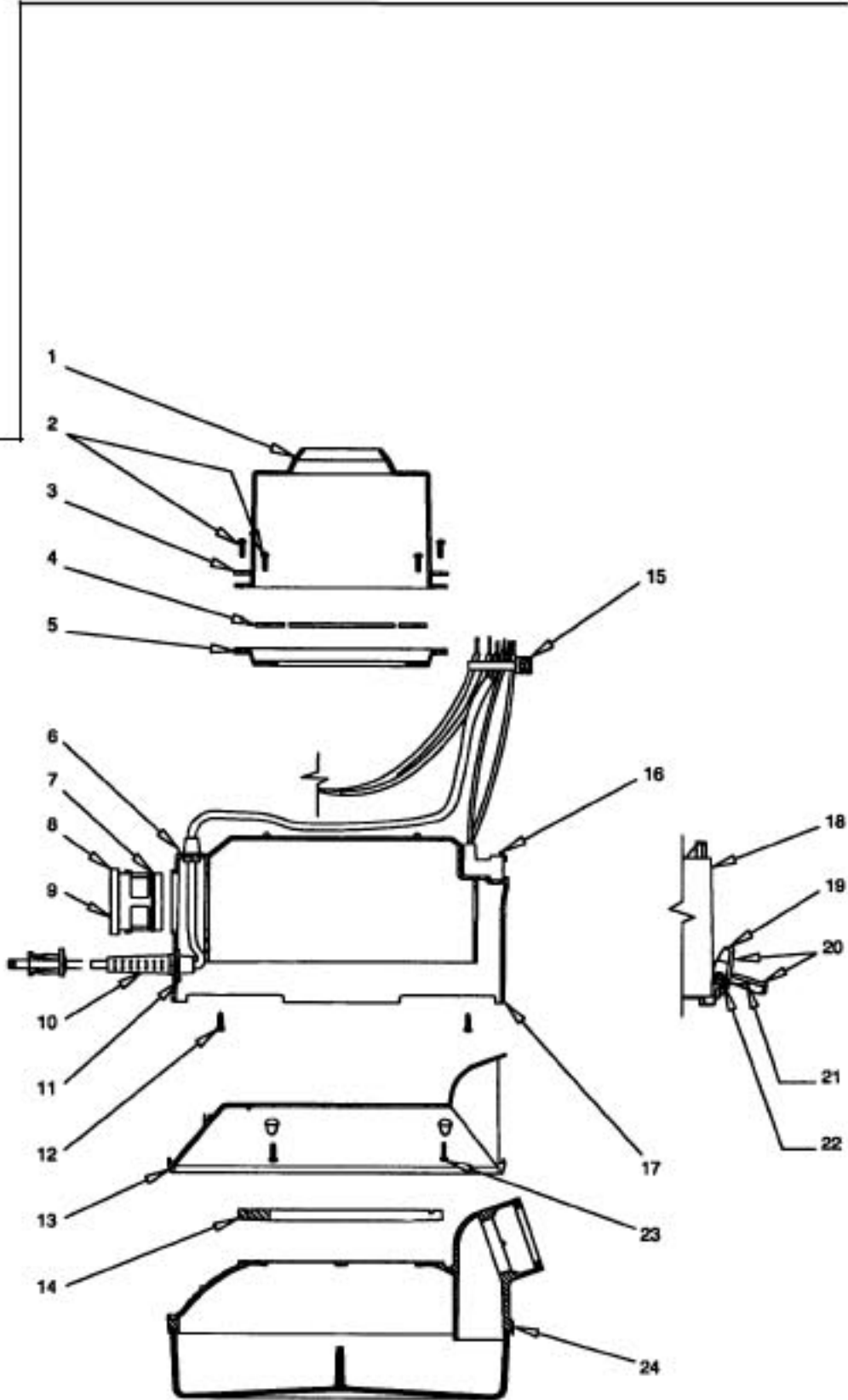
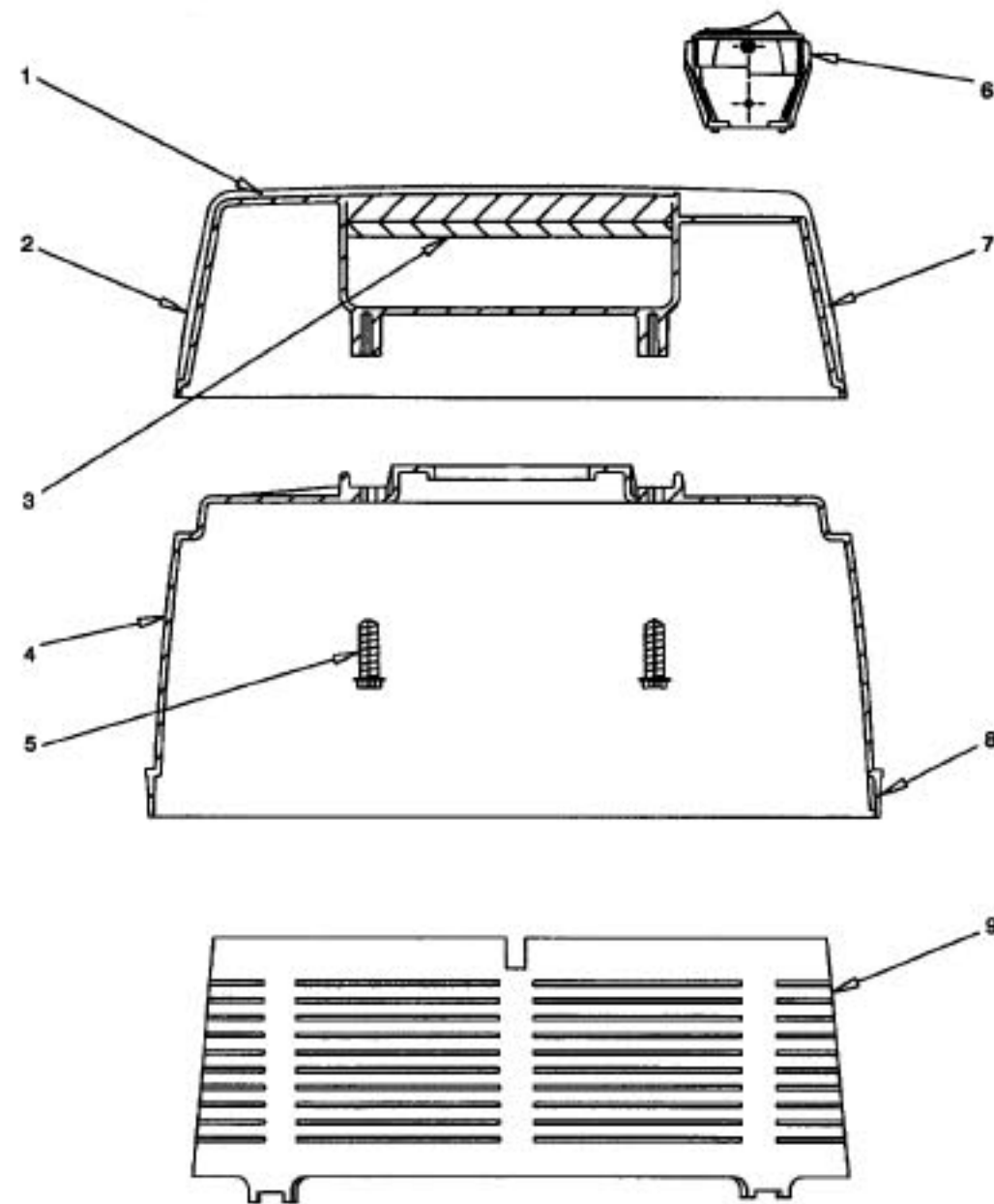


CAP AND CAP COVER ASSEMBLY

- RX-R4364 Cap & Cap Cover Assy, w/o baffle
- 1.....RX-R4297 Handle Applique Top
- 2.....RX-R4342 Cap Cover Assy, includes handle pad, handle applique (top and side)
- 3.....RX-R2584 Handle Pad
- 4.....RX-R4369 Cap Assy, includes cap applique
- 5.....RX-H515 Screw, plastic
- 6.....RX-R3127 Switch, snap-in
- 7.....RX-R2722 Handle Applique, side
- 8.....RX-R5403 Cap Applique, fits all models
- 8.....RX-R4323 Cap Applique, for caps made before 6/93
- 9.....RX-R4373 Outer Baffle Assembly

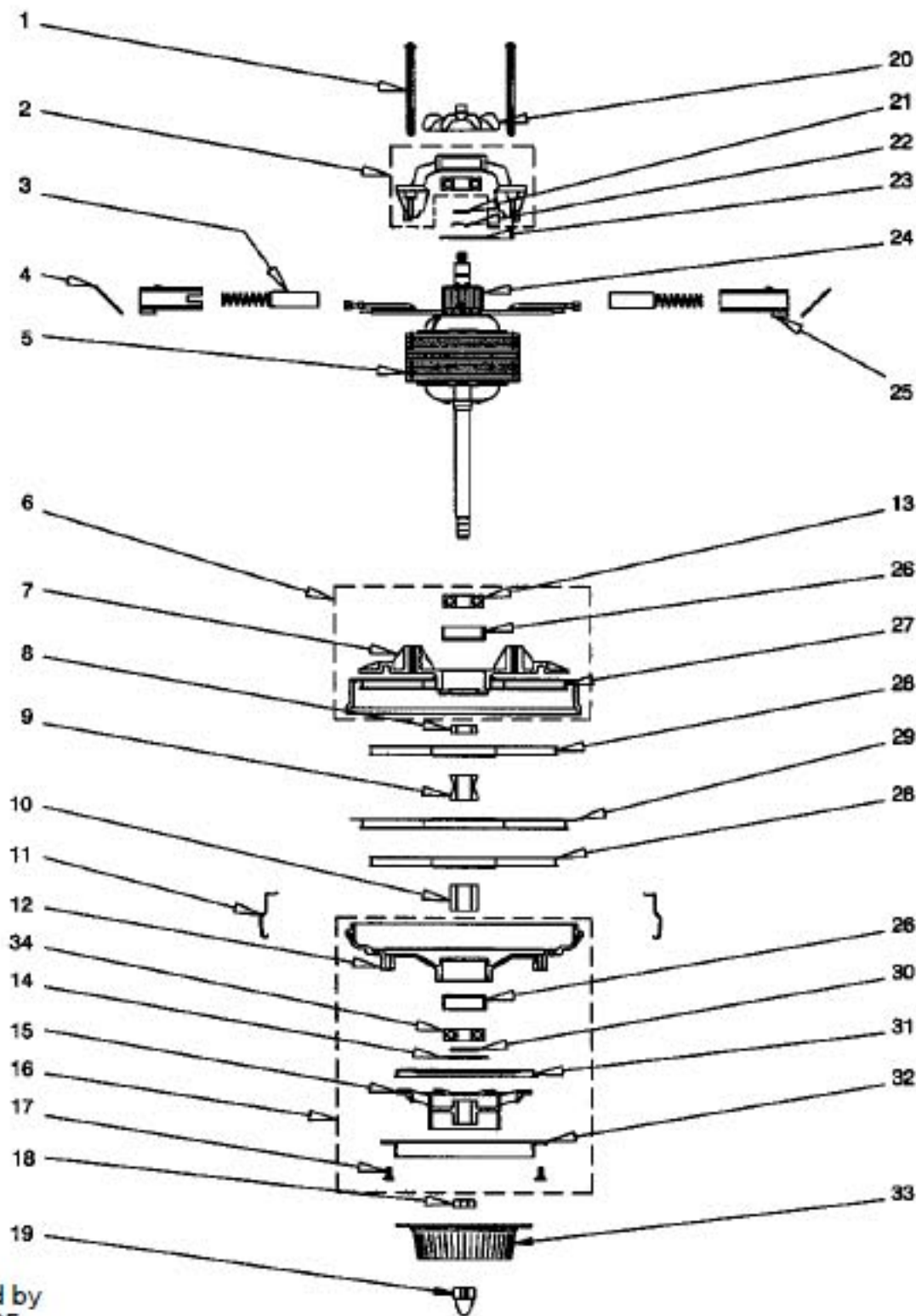


MAIN HOUSING & WATER PAN ASSEMBLY

- 1.....RX-R2582 Motor Shroud
- 2.....RX-H556 Screw, plastic
- 3.....RX-R2172 Clamp Ring Segment
- 4.....RX-R2585 Clamp Ring Segment
- 5.....RX-R2701 Motor Support Ring
- 6.....RX-R2607 Strain Relief Clip
- 7.....RX-R4148 "O" Ring, for closure cover
- 8.....RX-R3845 Closure Cover Assy, incl. applique & "O" ring
- 9.....RX-R2772 Applique, closure cover
- 10.....RX-R4052 Cord
- 11.....RX-R2605 Strain Relief Support
- 12.....RX-H515 Screw, main housing to cap
- 13.....RX-R5080 Baffle Plate Assy
- 14.....RX-R2702 Motor Gasket
- 15.....RX-R2380 Cable Tie
- 16.....RX-R3184 Power Nozzle Receptacle
- 17.....restricted Main Housing Sub-Assembly
- 18.....RX-R4201 Applique, main housing
- 19.....RX-R6178 Latch Only, w/o applique, after & including S.N. 8000000
- 19.....RX-R4228 Latch Assy, w/ applique, up to S.N. 8000000
- 20.....RX-R4203 Applique, latch, up to S.N. 8000000
- 21.....RX-R2654 Latch Spring
- 22.....RX-R1566 Latch Pin
- 23.....RX-H491 Screw, plastic
- 24.....RX-R6854 Water Pan Assy

MOTOR ASSEMBLY

	RX-R3242	Motor Assy
1	RX-H545	Screw, plastic
2	RX-R2677	Bearing Bridge Assy
3*	RX-R5125	Carbon Brush
3	RX-R2421	Carbon Brush, up to S.N. 7520714
4	RX-R2703	Brush Holder Clip
5	RX-R3159	Field Assy
6	RX-R2773	Motor Base & Bearing Assy
7	RX-R2636	Motor Base Assy
8	RX-R2680	Fan Spacer, top
9	RX-R2681	Fan Spacer, middle
10	RX-R2679	Fan Spacer, lower
11	RX-R2682	Stage Housing Clip
12	RX-R2774	Lower Housing & Inner Baffle Plate Assy
13	RX-R1981	Ball Bearing
14	RX-R2630	Bearing Retainer Shield
15	RX-R4101	Spider
16	RX-R4612	Lower Housing Assy
17	RX-H542	Screw
18	RX-H426	Nut, armature shaft
19	RX-H555	Separator Nut, flat
20	RX-R3277	Fan, motor
21	RX-R2936	"O" Ring
22	RX-R2525	Wave Washer
23	RX-R2946	Insulator Washer
24*	RX-R5319	Armature Assy
25*	RX-R5124	Brush Holder
25	RX-R2700	Brush Holder, up to S.N. 7520714
26	RX-R1987	Bearing Boot
27	RX-R2613	Upper Stage Assy
28	RX-R2609	Fan Assy
29	RX-R2617	Lower Stage Assy
30	RX-R1979	Slinger Ring
31	RX-R2698	Outer Baffle Plate
32	RX-R747	Motor Gasket Flange
33	RX-R4100	Separator
34	RX-R5238	Ball Bearing



* Effective 3/29/93, RX-R2598 Armature is obsolete and is replaced by RX-R5319 Armature. RX-R5124 Tall Brush Holder and RX-R5125 Tall Carbon Brushes are not to be used with RX-R2598 Armature. RX-R2677 Bearing Bridge Assy produced after 9/92 will accept RX-R5124 Tall Brush Holders and RX-R5125 Tall Carbon Brushes.

ATTACHMENTS & OPTIONAL EQUIPMENT

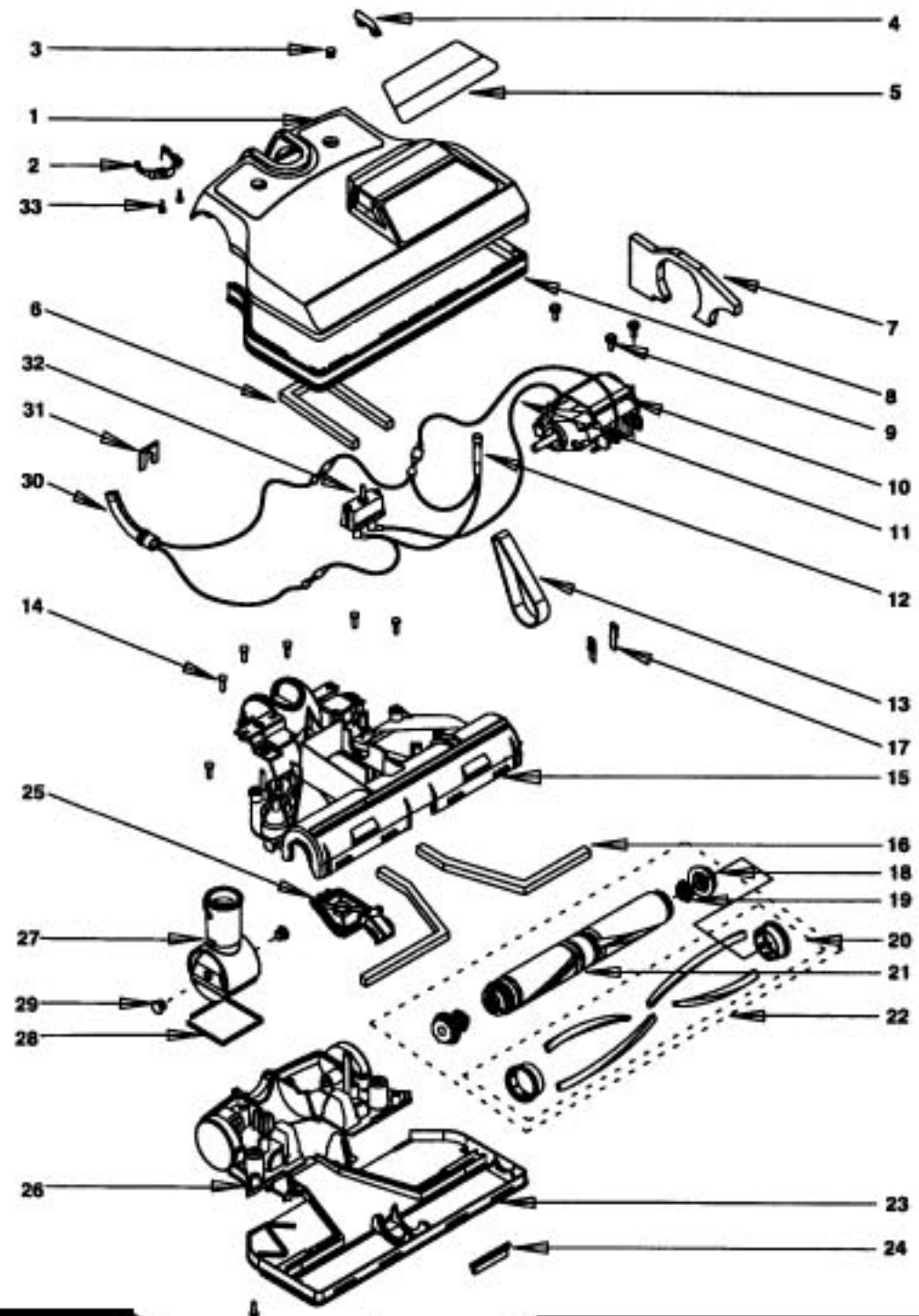
RX-R933	Straight Wand
RX-R2807	Curved Wand
RX-R2792	Suction Control Sleeve
RX-R934	Bottom Wand
RX-R4530	Floor Tool Assembly
RX-R4659	Body w/ Logo Only, floor tool
RX-R2540	Bristles, floor tool
RX-R2816	Guard, floor tool
RX-R2556	Crevice Tool
RX-R12439	Dusting Brush Assy
RX-R192	Bristles, dusting brush
RX-R3076	Body w/ Logo Only, dusting brush
RX-R2535	Upholstery Tool Assy
RX-R2537	Brush, upholstery tool
RX-R3079	Body w/ Logo Only, upholstery tool
RX-R4142	Coil Cleaner
RX-R3358	Inflator Tool Assy

RX-R2709	Attachment Caddy
RX-R3816	Pin, caddy swivel arm
RX-H564	Spring, caddy swivel arm
RX-H565	E-Ring, caddy swivel arm
N/A	Hose Assembly, 9-yarn
RX-R4716	Hose, w/ molded tip
RX-R2784	Hose Coupling Assy
RX-R579	Hose Tip Only
RX-R4176	Non-Wettable Adaptor Assy, w/ instruction sheet
RX-R841	Separator Brush
RX-R4140	Dolly, w/o casters, no applique, after S.N. 8000000
RX-R4140	Dolly, w/o casters, w/ applique, up to S.N. 8000000
RX-R4149	Caster, sold each
RX-R4204	Applique, dolly, for use w/ RX-R4560

"PERFORMANCE EDITION" POWER NOZZLE

Model: R-5825, beginning serial number 6000000

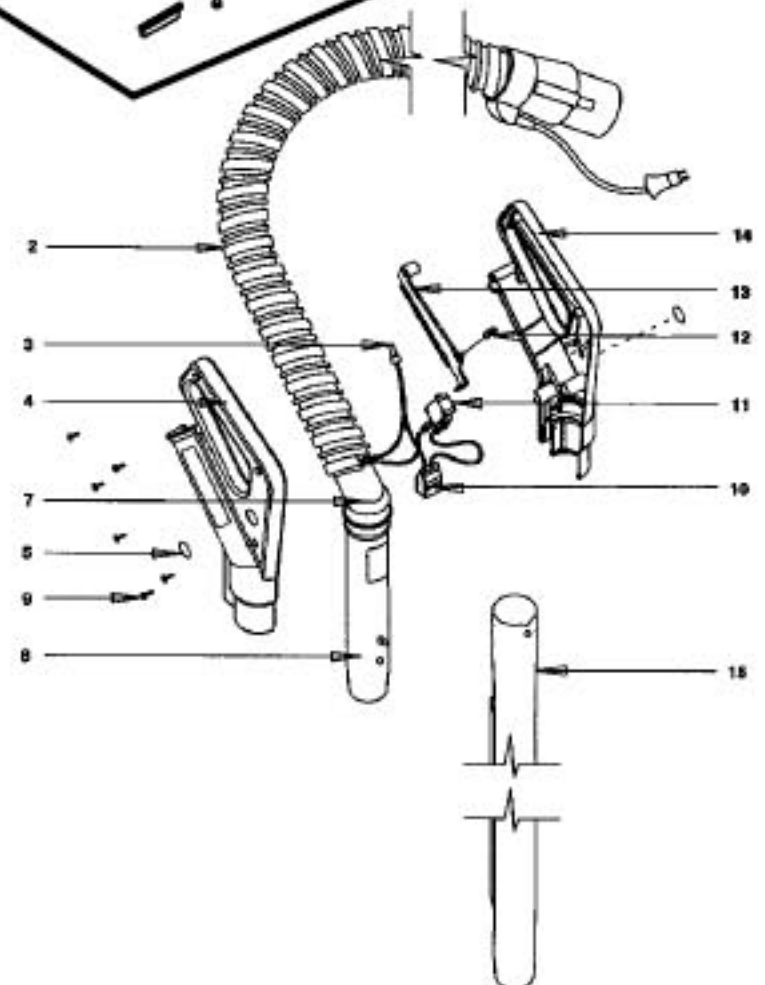
1.....	RX-R6061	Cover Assy, complete
2.....	RX-R5836	Upright Lock Clip
3.....	RX-R5659	Lens, pilot light
4.....	N/A	Lens, belt viewing
5.....	RX-R5837	Applique
6.....	RX-R2003	Motor Seal Gasket
7.....	RX-R5834	Air Barrier
8.....	RX-R5649	Bumper
9.....	RX-H571	Screw
10.....	RX-R8401	Motor Assy, complete
11.....	RX-R5672	Lead Assy, motor
12.....	RX-R5654	Pilot Light / Harness Assy
13.....	RX-R1699	Belt, sold each
14.....	RX-H556	Screw
15.....	RX-R6058	Manifold Assy, complete
16.....	RX-R5833	Airpath Gasket
17.....	RX-R5614	Belt Guard
18.....	RX-R5593	Bearing Retainer
19.....	RX-R5592	Bearing Boot
20.....	RX-R6063	Bristle Strip Kit, 4 bristle strips / 2 thread guards
21.....	RX-R6062	Brush Roll Only, w/ bearings and studs
22.....	RX-R5590	Brush Roll, complete
23.....	RX-R6059	Bottom Plate Assy, front
24.....	RX-R5839	Brush Strip, for bottom plate front
25.....	RX-R5820	Belt Cover
26.....	N/A	Rear Bottom Plate Assy, w/ wheels
27.....	RX-R6060	Pivot Arm Assy, w/ gasket
28.....	RX-R5835	Pivot Arm Gasket
29.....	RX-R5652	Clevis Pin
30.....	RX-R5653	Power Nozzle Cord
31.....	RX-R2605	Strain Relief Support
32.....	RX-R5612	Circuit Breaker, 2.5 amp
33.....	RX-H566	Screw
	RX-R6575	Brush Roll (SOFT), unstiffened bristle/beater
	RX-R6573	Brush Strip, soft brush roll
	RX-R6574	Kit, brush roll/thread guard/beater kit (soft)



"PERFORMANCE EDITION" POWER NOZZLE

Model: R-5825, beginning serial number 6000000

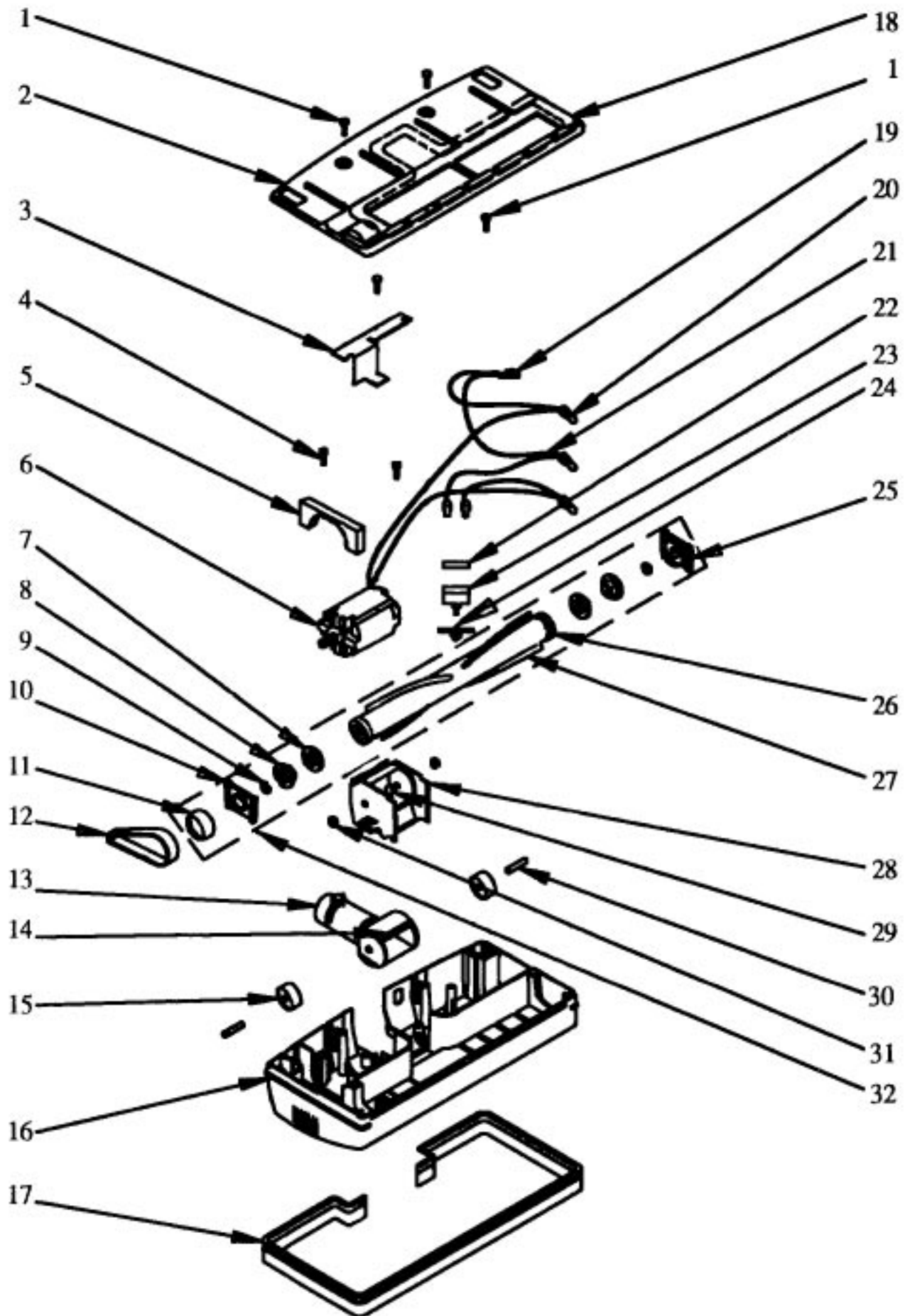
1.....	RX-R5826	Electrified Hose & Handle Assy, complete
2.....	RX-R6055	Electrified Hose, w/ terminal
3.....	RX-R1775	Closed End Splice
4.....	RX-R6908	R.H. Handle Assy, w/ logo & warning label
5.....	N/A	Rexair Logo
	RX-R4294	Warning Label
6.....	RX-R5832	Insert & Wand Assy, w/ p/n top handle assy and handle insert
7.....	8142	Handle Insert
8.....	RX-R5668	P/N Top Handle Wand Assy
9.....	RX-H566	Screw
10.....	RX-R6942	Receptacle
11.....	RX-R5295	Handle Switch, hose
12.....	RX-R6893	Actuator Spring
13.....	RX-R5975	Switch Actuator
14.....	RX-R6908	L.H. Handle Assy, w/ logo & warning label
15.....	RX-R5661	Straight Wand Assy
	RX-R3520	Cord Guide Replacement Kit
	RX-R5284	Hose, 12 ft, with handle
	RX-R5286	Hose, 12 ft, without handle



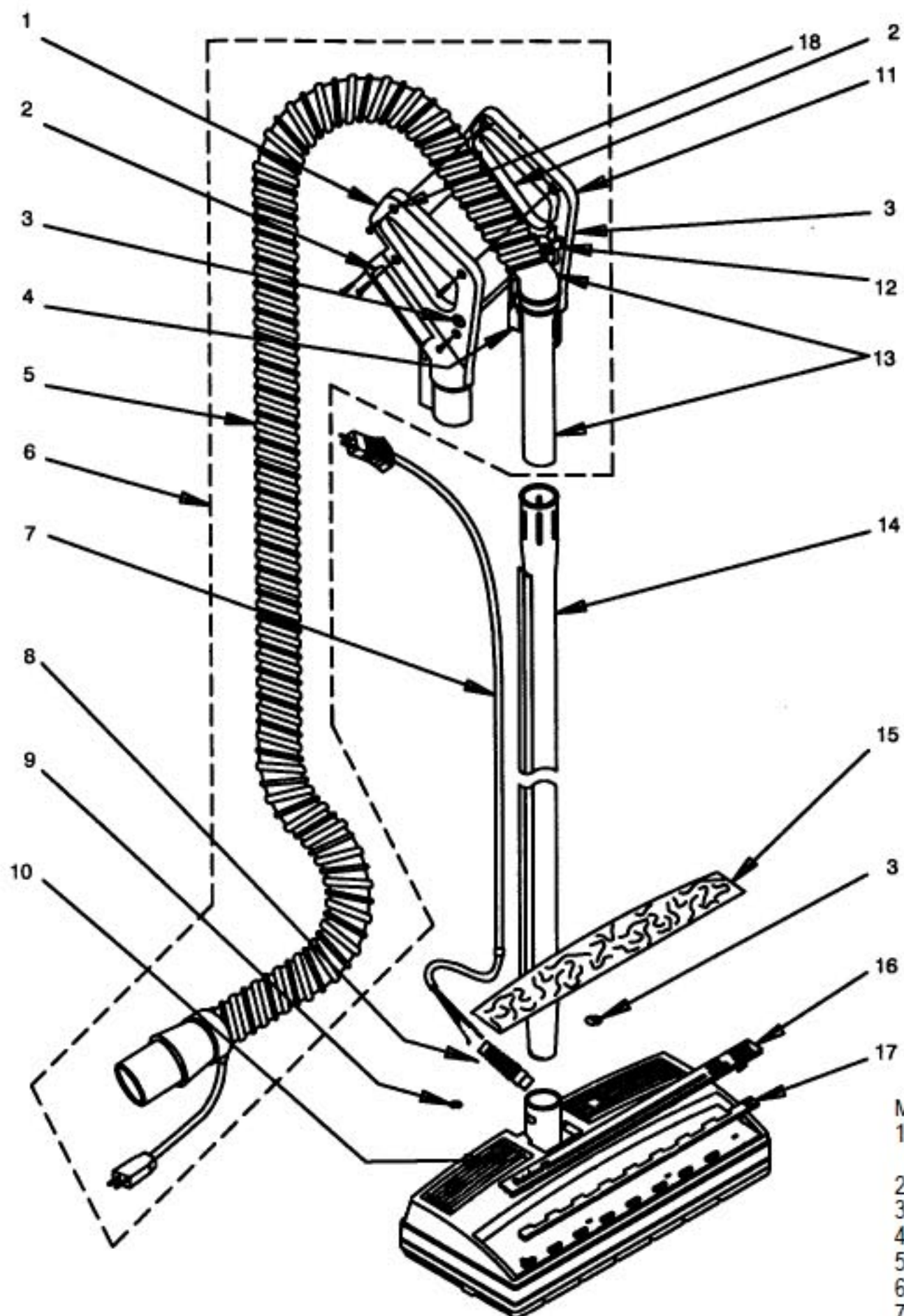
POWER NOZZLE

Model: R-4375C, beginning serial number 5000000

1.....	RX-H515	Screw
2.....	RX-R2004	Bottom Plate Assy
3.....	RX-R1997	Insulator
4.....	RX-H552	Screw
5.....	RX-R1813	Air Barrier
6.....	RX-R1871	Motor Assy
	RX-R4662	Carbon Brush, p/n motor
	RX-R4663	Rear Bearing, p/n motor
	RX-R3550	Sleeve Assy, p/n motor
7.....	RX-R1692	Seal, brush assy
8.....	RX-R1691	Keeper, brush assy
9.....	RX-R1698	Thrust Washer
10.....	RX-R2443	End Cap
11.....	RX-R3472	Power Nozzle Pulley Assy
12.....	RX-R1699	Belt, sold each
13.....	RX-R2801	Pivot Arm Assy
	RX-R3300	Pivot Arm & Housing Assy
14.....	RX-R2069	Felt Pad
15.....	RX-R1703	Wheel, p/n
16.....	restricted	Main Housing Assy
17.....	RX-R2795	Bumper
18.....	RX-R2003	Gasket, bottom plate
19.....	RX-R1818	Pilot Light Assy
20.....	RX-R1775	Closed End Splice
21.....	RX-R1754	Lead Assy
22.....	RX-R1780	Insulator, circuit breaker
23.....	RX-R4291	Circuit Breaker, 2 amp
24.....	RX-R4290	Adaptor Plate, curcuit breaker
25.....	RX-R1744	Bearing Assy
26.....	RX-R1690	Brush Roll Only
27.....	RX-R1695	Beater Bar
28.....	RX-R2803	Pivot Housing
29.....	RX-R1996	Clevis Pin
30.....	RX-R1704	Wheel Pins, p/n
31.....	RX-H527	"E" Ring
32.....	RX-R1866	Brush Roll Assy, complete



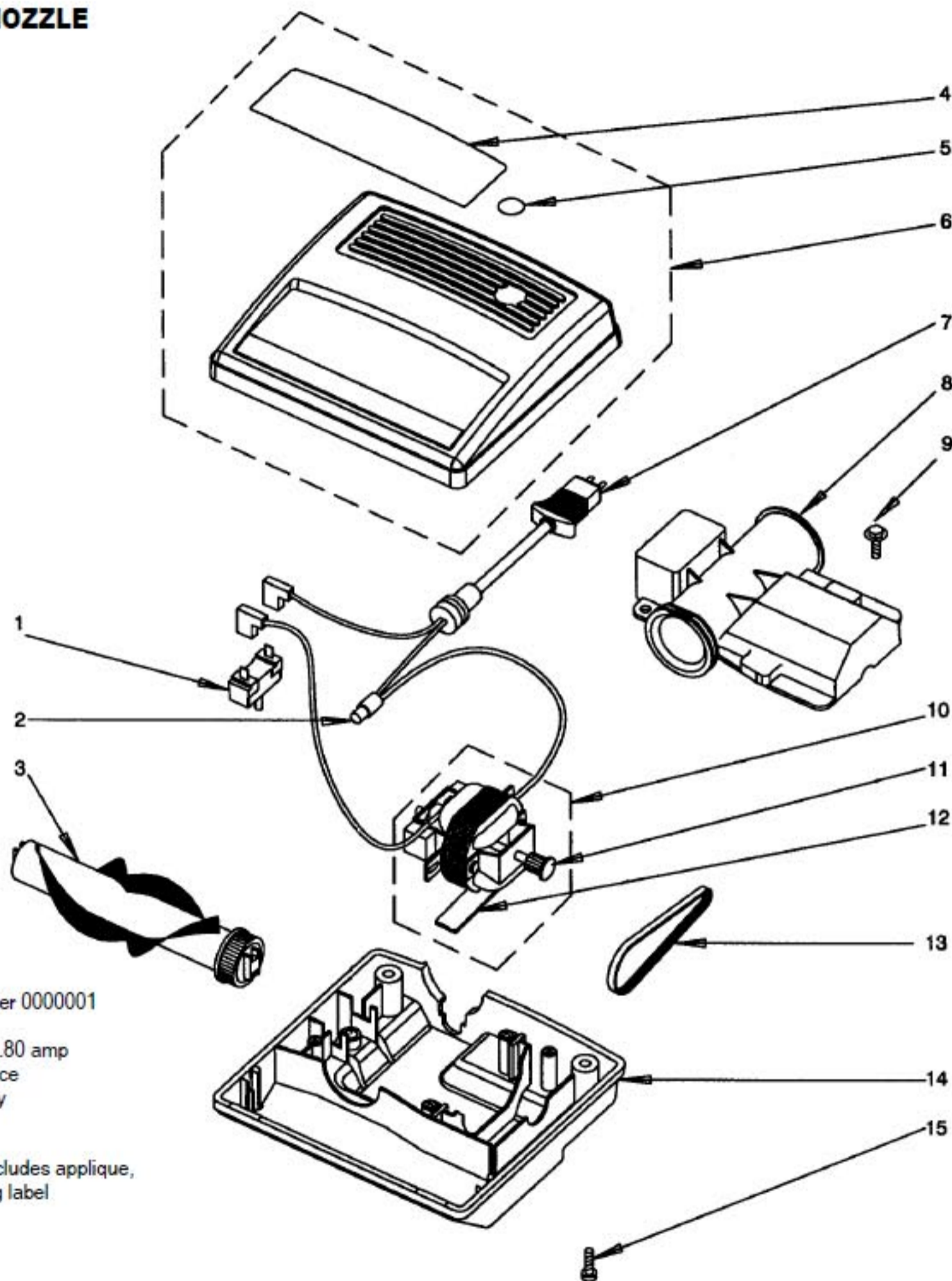
POWER NOZZLE



Model: R-4375C, beginning serial number 5000000

- 1.....RX-R4295R.H. Handle Assy, includes
logo and warning label
- 2.....RX-R4294Warning Label
- 3.....N/ARexair Logo
- 4.....RX-R4122Receptacle
- 5.....RX-R4090Electrified Hose Assy
- 6.....RX-R5826Electrified Hose & Handle Assy
- 7.....RX-R4121Power Nozzle Cord
- 8.....RX-R4053Strain Relief Bushing
- 9.....RX-H568Nut, circuit breaker panel
- 10.....RX-R1818Pilot Light Assy
- 11.....RX-R4296L.H. Handle Assy, includes
logo and warning label
- 12.....RX-R1775Closed End Splice
- 13.....RX-R4109Handle Insert Assy, includes
handle insert & p/n handle wand
RX-R4112.....Handle Insert
RX-R4113.....P/N Handle Insert
- 14.....RX-R5066Straight Wand Assy
- 15.....RX-R4200Applique, power nozzle
- 16.....RX-R2775Slide Valve Guide Assy
- 17.....RX-R1990Slide Valve
- 18.....RX-H566Screw
-RX-R3520Cord Guide Replacement Kit

"RAINBOWMATE" POWER NOZZLE



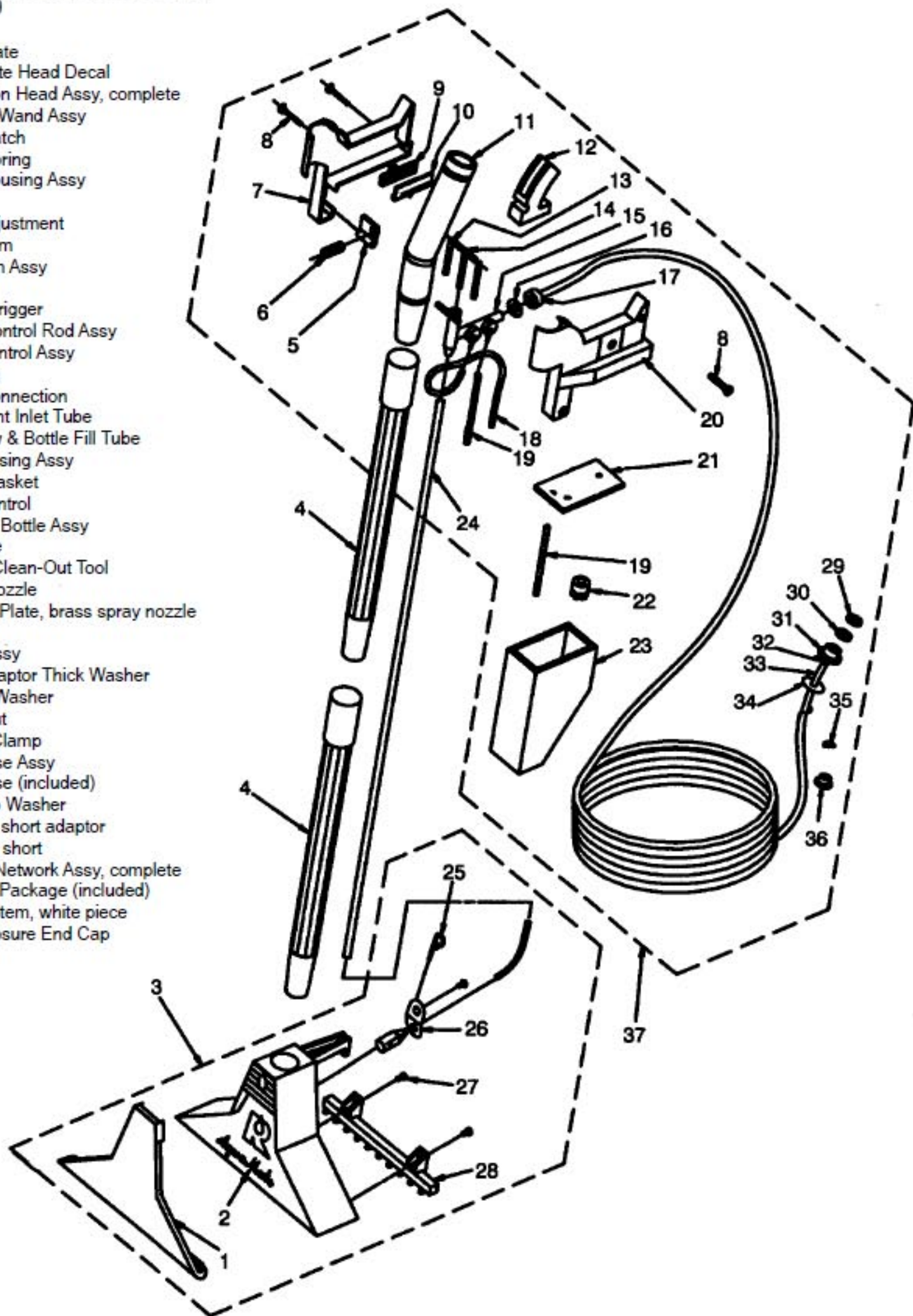
Model: RM-2, beginning serial number 0000001

- | | | | |
|---------|----------|-------|--|
| 1..... | RX-R5421 | | Circuit Breaker, .80 amp |
| 2..... | RX-R1775 | | Closed End Splice |
| 3..... | RX-R4873 | | Brush Tube Assy |
| 4..... | RX-R4896 | | Applique |
| 5..... | N/A | | Rexair Logo |
| 6..... | N/A | | Top Housing, includes applique,
logo, warning label |
| | RX-R4896 | | Applique |
| | N/A | | Rexair Logo |
| | N/A | | Warning Label |
| 7..... | RX-R4889 | | Electric Cord |
| 8..... | N/A | | Manifold Assy, includes warning label |
| 9..... | RX-H571 | | Screw, w/ washer |
| 10..... | RX-R4882 | | Motor Assy, includes pulley & insulator strip |
| 11..... | RX-R4887 | | Motor Pulley |
| 12..... | RX-R4885 | | Isolator Strip |
| 13..... | RX-R4879 | | Belt, sold each |
| 14..... | N/A | | Lower Housing Assy |
| 15..... | RX-H556 | | Screw |
| | N/A | | Warning Label |
| | N/A | | Motor Boot, up to S.N. 0040996 |

"AQUAMATE" WATER EXTRACTION UNIT

Up to serial number 3000000

- | | | |
|----|----------|-----------------------------------|
| 1 | RX-R2269 | Front Plate |
| 2 | RX-R3581 | AquaMate Head Decal |
| 3 | N/A | Extraction Head Assy, complete |
| 4 | RX-R2846 | Straight Wand Assy |
| 5 | RX-R2322 | Bottle Latch |
| 6 | RX-R2321 | Latch Spring |
| 7 | RX-R4621 | Right Housing Assy |
| 8 | RX-H537 | Screw |
| 9 | RX-R2326 | Slide Adjustment |
| 10 | RX-R2318 | Pinch Arm |
| 11 | RX-R2849 | Bent Arm Assy |
| 12 | RX-R2340 | Trigger |
| 13 | RX-R6977 | Spring, trigger |
| 14 | RX-R2571 | Valve Control Rod Assy |
| 15 | RX-R2400 | Fluid Control Assy |
| 16 | RX-R2401 | "O" Ring |
| 17 | RX-R2402 | Hose Connection |
| 18 | RX-R2602 | Detergent Inlet Tube |
| 19 | RX-R2483 | Overflow & Bottle Fill Tube |
| 20 | RX-R4622 | Left Housing Assy |
| 21 | RX-R2317 | Foam Gasket |
| 22 | RX-R7351 | Flow Control |
| 23 | N/A | Solution Bottle Assy |
| 24 | RX-R2026 | 40" Tube |
| 25 | N/A | Nozzle Clean-Out Tool |
| 26 | RX-R5398 | Spray Nozzle |
| | RX-R2627 | Support Plate, brass spray nozzle |
| 27 | RX-H491 | Screw |
| 28 | RX-R2262 | Brush Assy |
| 29 | RX-R2080 | Long Adaptor Thick Washer |
| 30 | RX-R7356 | Screen Washer |
| 31 | RX-R6138 | Stern Nut |
| 32 | RX-R2040 | Tubing Clamp |
| 33 | RX-R4651 | 50 ft Hose Assy |
| | RX-R4619 | 50 ft Hose (included) |
| 34 | RX-R2065 | Anti-Drip Washer |
| 35 | RX-R2079 | Washer, short adaptor |
| 36 | RX-R2045 | Adaptor, short |
| 37 | RX-R4617 | Control Network Assy, complete |
| | RX-R2469 | Adaptor Package (included) |
| | RX-R2042 | Swivel Stem, white piece |
| | RX-R2506 | Vinyl Closure End Cap |



RX-R5426

Stainless Steel Wands, 2 used