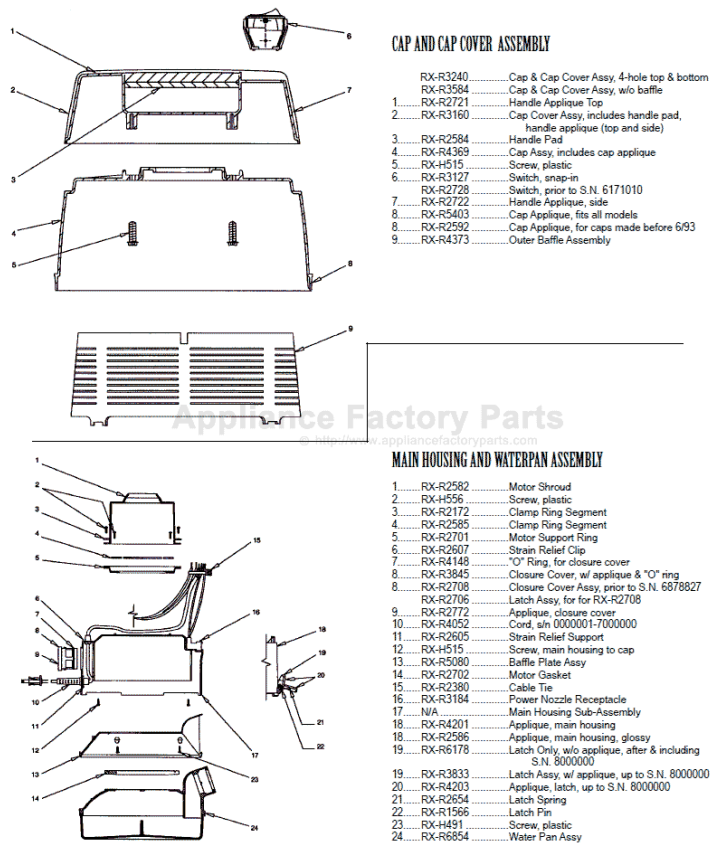


Rexair D4 Owner's Manual

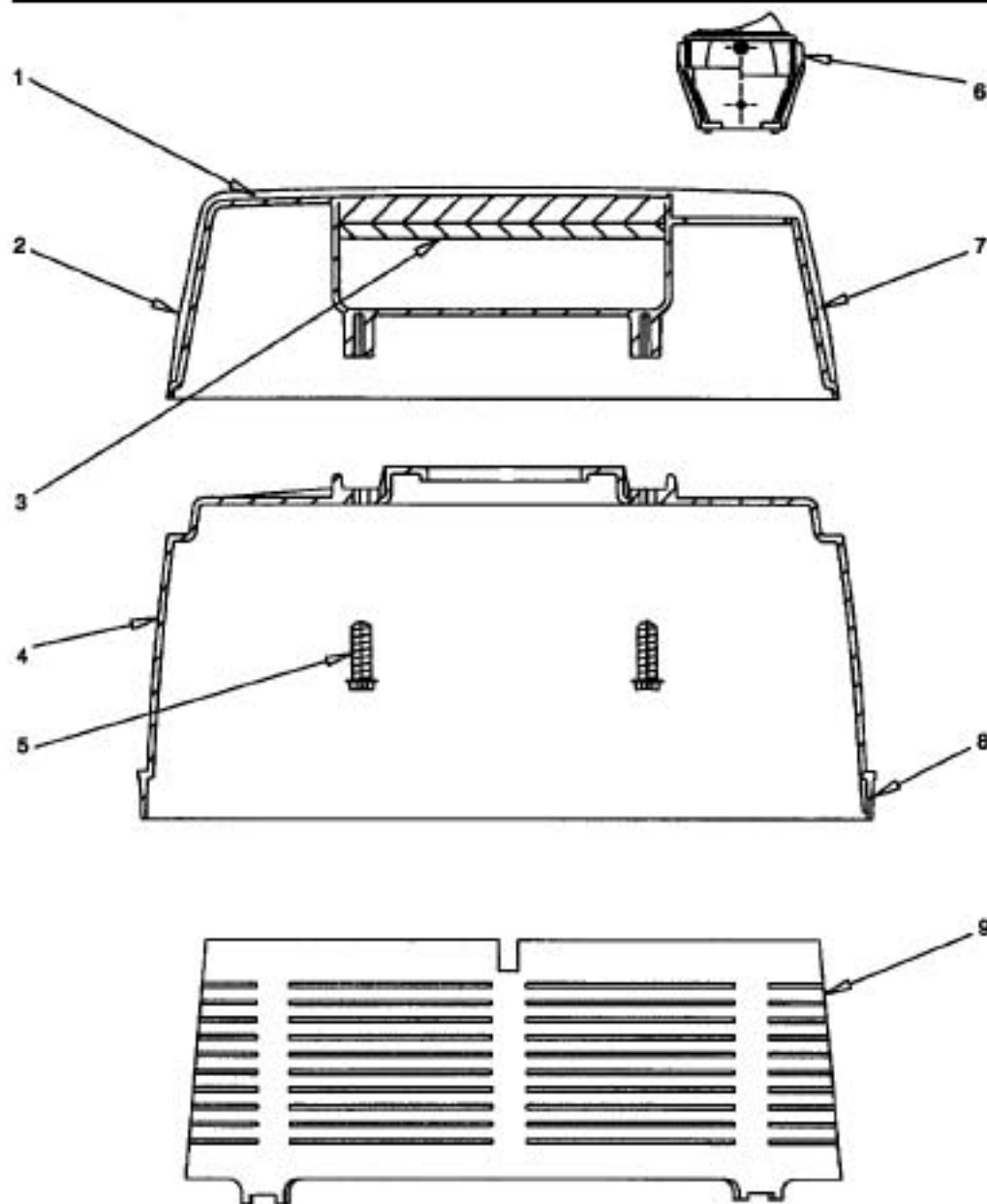
Shop genuine replacement parts for Rexair D4



Find Your Rexair Vacuum Cleaner Parts - Select From 21 Models

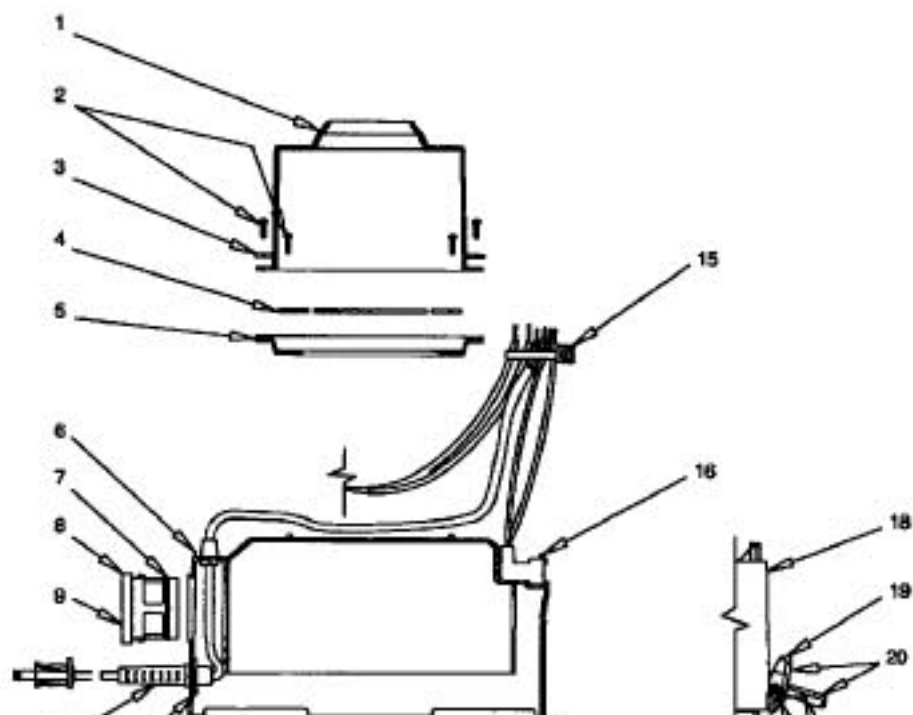
----- Manual continues below -----

REXAIR / RAINBOW



CAP AND CAP COVER ASSEMBLY

	RX-R3240	Cap &
	RX-R3584	Cap &
1.....	RX-R2721	Handle
2.....	RX-R3160	Cap C
		har
3.....	RX-R2584	Handle
4.....	RX-R4369	Cap As
5.....	RX-H515	Screw,
6.....	RX-R3127	Switch
	RX-R2728	Switch
7.....	RX-R2722	Handle
8.....	RX-R5403	Cap Ap
8.....	RX-R2592	Cap Ap
9.....	RX-R4373	Outer B



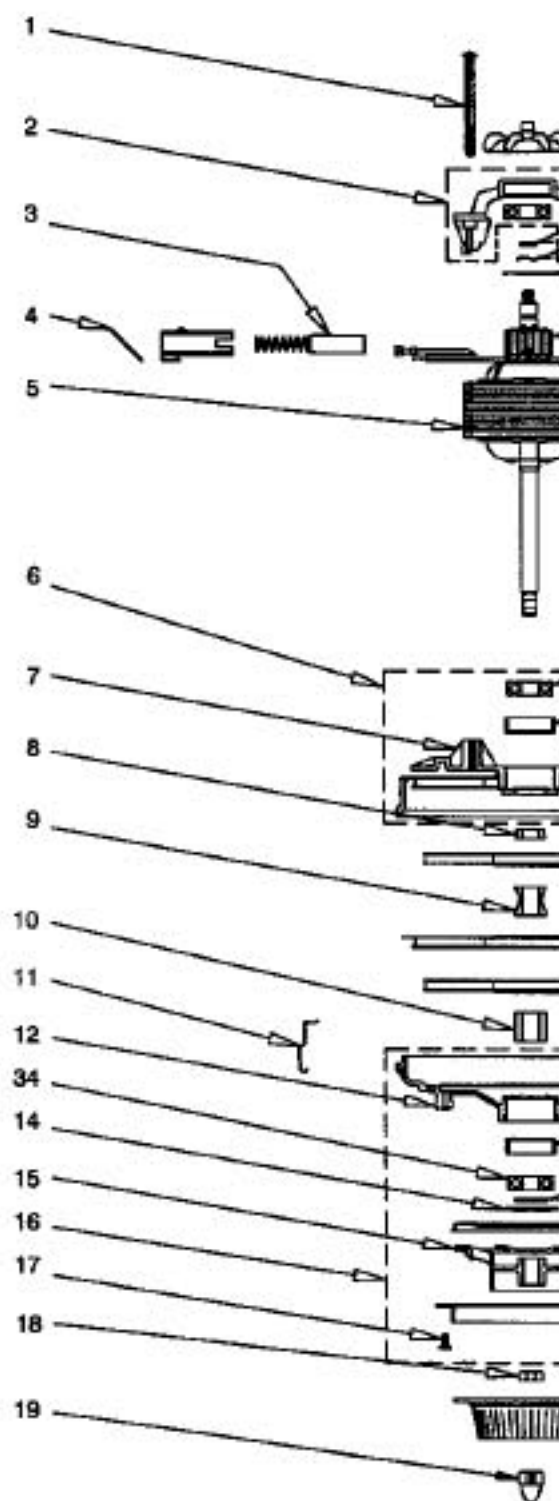
MAIN HOUSING AND WATERPUMP

1.....	RX-R2582	Motor S
2.....	RX-H556	Screw,
3.....	RX-R2172	Clamp
4.....	RX-R2585	Clamp
5.....	RX-R2701	Motor S
6.....	RX-R2607	Strain R
7.....	RX-R4148	"O" Rin
8.....	RX-R3845	Closur
8.....	RX-R2708	Closur
	RX-R2706	Latch A
9.....	RX-R2772	Appliq
10.....	RX-R4052	Cord, s
11.....	RX-R2605	Strain R
12.....	RX-H515	Screw,
13.....	RX-R5080	Baffle
14.....	RX-R2702	Motor
15.....	RX-R2380	Cable

REXAIR / RAINBOW

MOTOR ASSEMBLY

	RX-R3242	Motor Assy
1	RX-H545	Screw, plastic
2	RX-R2677	Bearing Bridge Assy
3*	RX-R5125	Carbon Brush
3	RX-R2421	Carbon Brush, up to S.N. 7520714
4	RX-R2703	Brush Holder Clip
5	RX-R3159	Field Assy
6	RX-R2773	Motor Base & Bearing Assy
7	RX-R2636	Motor Base Assy
8	RX-R2680	Fan Spacer, top
9	RX-R2681	Fan Spacer, middle
10	RX-R2679	Fan Spacer, lower
11	RX-R2682	Stage Housing Clip
12	RX-R2774	Lower Housing & Inner Baffle Plate Assy
13	RX-R1981	Ball Bearing
14	RX-R2630	Bearing Retainer Shield
15	RX-R4101	Spider
16	RX-R4612	Lower Housing Assy
17	RX-H542	Screw
18	RX-H426	Nut, armature shaft
19	RX-H555	Separator Nut, flat
20	RX-R3277	Fan, motor
21	RX-R2936	"O" Ring
22	RX-R2525	Wave Washer
23	RX-R2946	Insulator Washer
24*	RX-R5319	Armature Assy
25*	RX-R5124	Brush Holder
25	RX-R2700	Brush Holder, up to S.N. 7520714
26	RX-R1987	Bearing Boot
27	RX-R2613	Upper Stage Assy
28	RX-R2609	Fan Assy
29	RX-R2617	Lower Stage Assy
30	RX-R1979	Slinger Ring
31	RX-R2698	Outer Baffle Plate
32	RX-R747	Motor Gasket Flange
33	RX-R4100	Separator
34	RX-R5238	Ball Bearing



* Effective 3/29/93, RX-R2598 Armature is obsolete and is replaced by RX-R5319 Armature. RX-R5124 Tall Brush Holder and RX-R5125 Tall Carbon Brushes are not to be used with RX-R2598 Armature. RX-R2677 Bearing Bridge Assy produced after 9/92 will accept RX-R5124 Tall Brush Holders and RX-R5125 Tall Carbon Brushes.

ATTACHMENTS / OPTIONAL EQUIPMENT

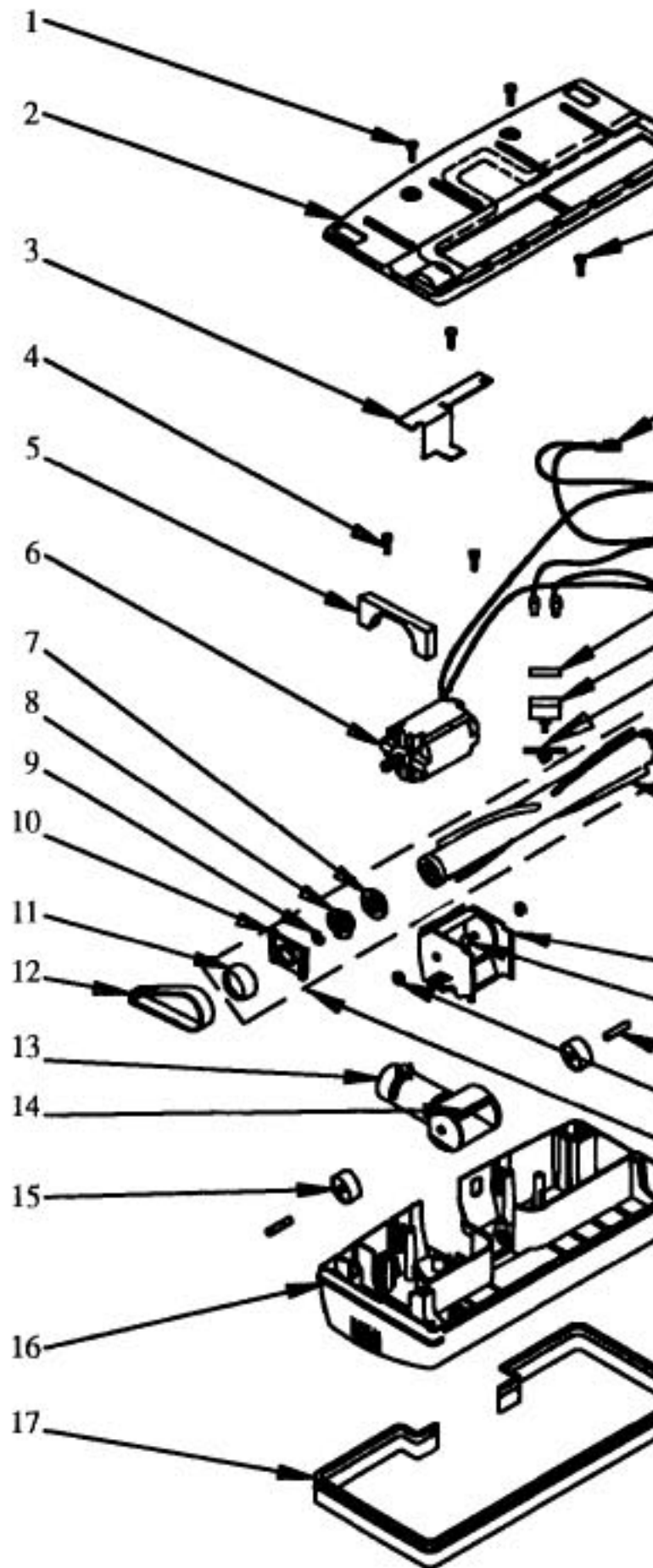
RX-R933	Straight Wand
RX-R2807	Curved Wand
RX-R2792	Suction Control Sleeve
RX-R934	Bottom Wand

RX-R4142	Coil Cleaner
RX-R3358	Inflator Tool
RX-R2709	Attachment
RX-R3816	Pin, caddy s
RX-H564	Spring, cadd
RX-H565	Spring, cadd

REXAIR / RAINBOW

POWER NOZZLE Model: R-2800C

- | | | |
|----|----------|--------------------------|
| 1 | RX-H515 | Screw |
| 2 | RX-R2004 | Bottom Plate Assy |
| 3 | RX-R1997 | Insulator |
| 4 | RX-H552 | Screw |
| 5 | RX-R1813 | Air Barrier |
| 6 | RX-R1871 | Motor Assy |
| | RX-R4662 | Carbon Brush, p/n motor |
| | RX-R4663 | Rear Bearing, p/n motor |
| | RX-R3550 | Sleeve Assy, p/n motor |
| 7 | RX-R1692 | Seal, brush assy |
| 8 | RX-R1691 | Keeper, brush assy |
| 9 | RX-R1698 | Thrust Washer |
| 10 | RX-R2443 | End Cap |
| 11 | RX-R3472 | Power Nozzle Pulley Assy |
| 12 | RX-R1699 | Belt, sold each |
| 13 | RX-R2801 | Pivot Arm Assy |
| | RX-R3300 | Pivot Arm & Housing Assy |
| 14 | RX-R2069 | Felt Pad |
| 15 | RX-R1703 | Wheel, p/n |
| 16 | N/A | Main Housing Assy |
| 17 | RX-R2795 | Bumper |
| 18 | RX-R2003 | Gasket, bottom plate |
| 19 | RX-R1818 | Pilot Light Assy |
| 20 | RX-R1775 | Closed End Splice |



REXAIR / RAINBOW

AQUAMATE

- | | | |
|----|----------|--------------------------------|
| 1 | RX-R2269 | Front Plate |
| 2 | RX-R3581 | Aquamate Head Decal |
| 3 | N/A | Extraction Head Assy, complete |
| 4 | RX-R2846 | Straight Wand Assy |
| 5 | RX-R2322 | Bottle Latch |
| 6 | RX-R2321 | Latch Spring |
| 7 | RX-R4621 | Right Housing Assy |
| 8 | RX-H537 | Screw |
| 9 | RX-R2326 | Slide Adjustment |
| 10 | RX-R2318 | Pinch Arm |
| 11 | RX-R2849 | Bent Wand Assy |
| 12 | RX-R2340 | Trigger |
| 13 | RX-R6977 | Trigger Spring |
| 14 | RX-R2571 | Valve Cntrl Rod Assy |
| 15 | RX-R2400 | Fluid Control Assy |
| 16 | RX-R2401 | Hose Conn. O-Ring |
| 17 | RX-R2402 | Hose Connection |
| 18 | RX-R2602 | Detergent Inlet Tube |
| 19 | RX-R2483 | Overflow & Bottle Fill Tube |
| 20 | RX-R4622 | Left Housing Assy |
| 21 | RX-R2317 | Foam Gasket |
| 22 | RX-R7351 | Flow Control |
| 23 | N/A | Solution Bottle Assy |
| 24 | RX-R2026 | 40" tube |
| 25 | N/A | Nozzle Clean-Out Tool |
| 26 | RX-R2260 | Sprayer Nozzle/Plate Kit |
| 27 | RX-H491 | Screw |
| 28 | RX-R2262 | Brush Assy |
| 29 | RX-R2080 | Long Adaptor Washer |
| 30 | RX-R7356 | Screen Washer |
| 31 | RX-R6138 | Stem Nut |
| 32 | RX-R2040 | Tubing Clamp |
| 33 | RX-R4651 | 50 ft Hose Assy |
| 33 | RX-R4619 | 50 ft Hose (included) |
| 34 | RX-R2065 | Anti-Drip Washer |
| 35 | RX-R2079 | Washer, short adaptor |
| 36 | RX-R2045 | Adaptor, short |
| 37 | RX-R4617 | Control Network Assy, complete |
| | RX-R2042 | Swivel Stem, white piece |

