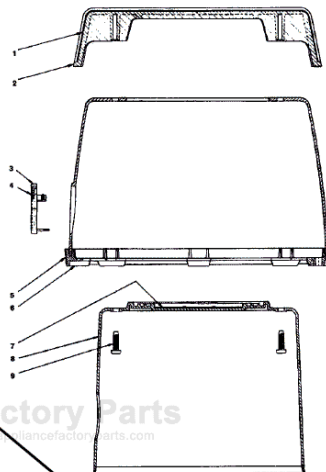


Rexair D3 Owner's Manual

Shop genuine replacement parts for Rexair D3

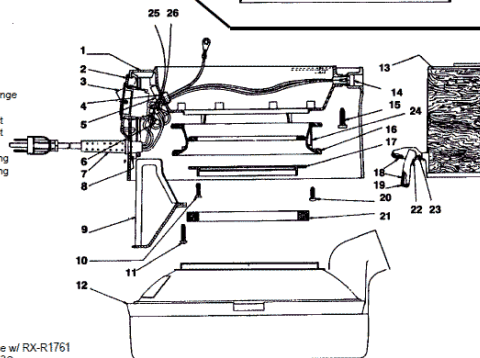
CAP AND CAP COVER ASSEMBLY

- 1.....RX-R1530.....Cap & Baffle Assembly
- 2.....RX-R1567.....Decal, handle
- 3.....RX-R1574.....Handle Assy
- 4.....RX-R1552.....Closure Cover Assy
- 5.....RX-R1569.....Closure Cover Decal
- 6.....RX-R1568.....Cap Ring Decal
- 7.....RX-R1822.....Cap & Cap Ring Assy
- 8.....RX-R1570.....Rainbow - Baffle Decal
- 9.....RX-R1573.....Baffle Assy
- 9.....RX-H489.....Screw, cap handle
- 9.....RX-H519.....Rivet, closure cord to cap ring
 (blower cord to top housing)



MAIN HOUSING AND WATERPAN ASSEMBLY

- 2.....RX-R1644.....Switch Bracket
- 3.....RX-R1645.....Switch, snap-in
- 4.....RX-R1158.....Open/Closed Bushing
- 5.....RX-R1734.....Insulation Boot, switch
- 6.....RX-R1642.....Terminal
- 7.....RX-R1753.....Cord, 3 wire, w/ plug
- 8.....RX-R1528.....Strain Relief Support
- 9.....RX-R1526.....Switch Cover
- 10.....RX-H378.....Screw, motor gasket flange
- 11.....RX-H492.....Screw, switch cover
- 12.....RX-R1556.....Water Pan Assy, 2 quart
- 12.....RX-R1743.....Water Pan Assy, 4 quart
- 13.....RX-R1572.....Applique, main housing
- 14.....RX-R1582.....Receptacle Assy, 2 prong
- 14.....RX-R1761.....Receptacle Assy, 3 prong
- 15.....RX-H489.....Screw, cap to housing
- 16.....RX-R599.....Motor Support Ring
- 17.....RX-R747.....Motor Gasket Flange
- 18.....N/A.....Applique, latch
- 19.....RX-R3833.....Latch Assy, w/ applique
- 20.....RX-H491.....Screw, clamp ring
- 21.....RX-R912.....Gasket, motor
- 22.....RX-R1585.....Spring, latch
- 23.....RX-R1566.....Pin, latch
- 24.....RX-R598.....Outer Clamp Ring
- 25.....RX-H511.....Screw, switch terminal
- 26.....RX-R1642.....Terminal, cord
- 26.....RX-R1225.....Eyelid Terminal
- 26.....RX-H519.....Pop Rivet, D3A only, use w/ RX-R1761
- 26.....RX-R1518.....Dolly Assy, complete, D3C



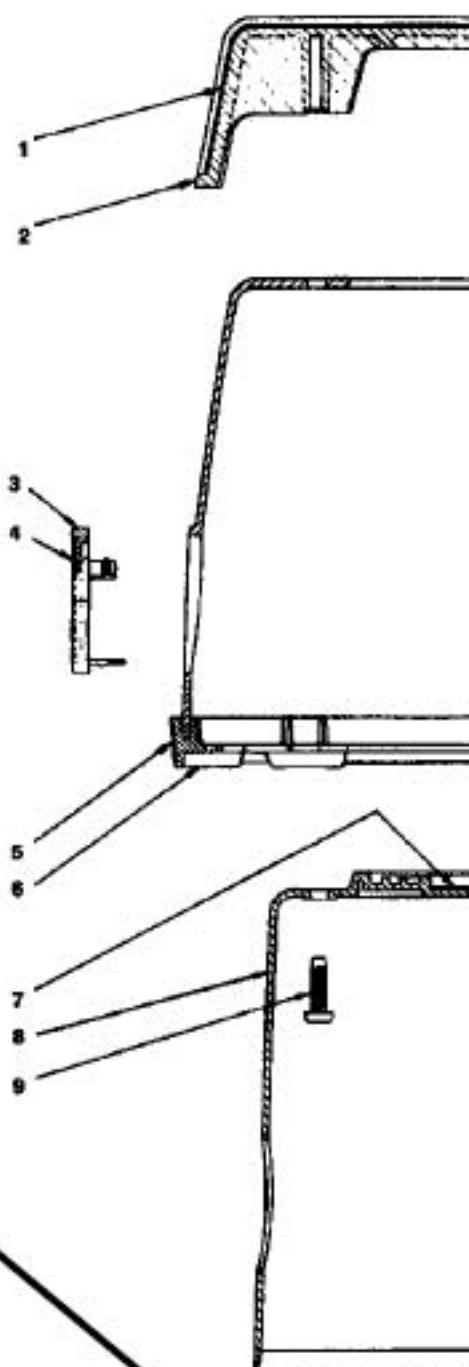
Find Your Rexair Vacuum Cleaner Parts - Select From 21 Models

----- Manual continues below -----

REXAIR / RAINBOW

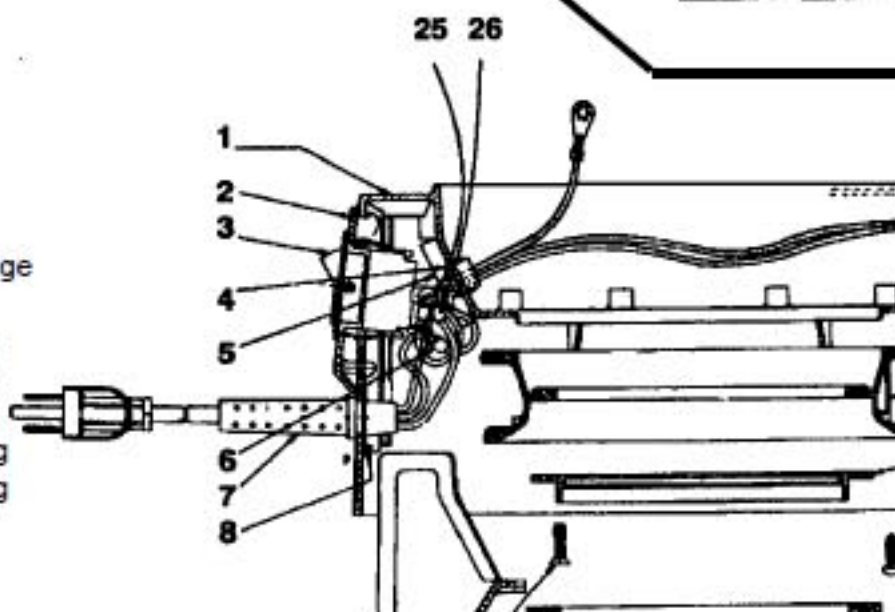
CAP AND CAP COVER ASSEMBLY

- | | | |
|---|----------|---|
| | RX-R1530 | Cap & Baffle Assembly |
| 1 | RX-R1567 | Decal, handle |
| 2 | RX-R1574 | Handle Assy |
| 3 | RX-R1652 | Closure Cover Assy |
| 4 | RX-R1569 | Closure Cover Decal |
| 5 | RX-R1568 | Cap Ring Decal |
| 6 | RX-R1822 | Cap & Cap Ring Assy |
| 7 | RX-R1570 | Rainbow - Baffle Decal |
| 8 | RX-R1573 | Baffle Assy |
| 9 | RX-H489 | Screw, cap handle |
| | RX-H519 | Rivet, closure cord to cap ring
(blower cord to top housing) |



MAIN HOUSING AND WATERPAN ASSEMBLY

- | | | |
|----|----------|----------------------------|
| 2 | RX-R1644 | Switch Bracket |
| 3 | RX-R1645 | Switch, snap-in |
| 4 | RX-R1158 | Open/Closed Bushing |
| 5 | RX-R1734 | Insulation Boot, switch |
| 6 | RX-R1642 | Terminal |
| 7 | RX-R1753 | Cord, 3 wire, w/ plug |
| 8 | RX-R1528 | Strain Relief Support |
| 9 | RX-R1526 | Switch Cover |
| 10 | RX-H378 | Screw, motor gasket flange |
| 11 | RX-H492 | Screw, switch cover |
| 12 | RX-R1556 | Water Pan Assy, 2 quart |
| 12 | RX-R1743 | Water Pan Assy, 4 quart |
| 13 | RX-R1572 | Applique, main housing |
| 14 | RX-R1582 | Receptacle Assy, 2 prong |
| 14 | RX-R1761 | Receptacle Assy, 3 prong |
| 15 | RX-H489 | Screw, cap to housing |
| 16 | RX-R599 | Motor Support Ring |
| 17 | RX-R747 | Motor Gasket Flange |

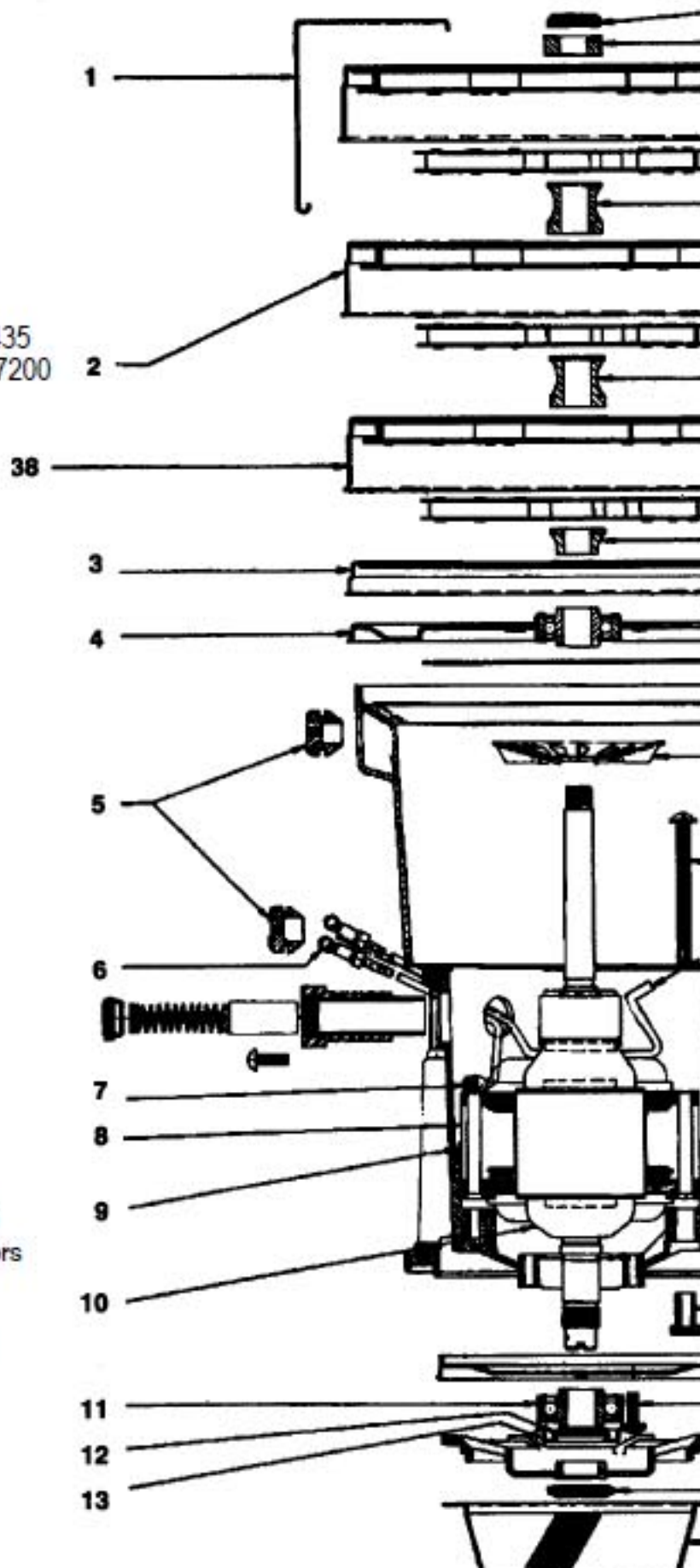


REXAIR / RAINBOW

MOTOR ASSEMBLY

Model: R-1767, beginning serial number 4388126,
6/30/80, replaced by R-2104

- | | | |
|-----|----------|---|
| 1 | RX-R1423 | Stage Housing Clip |
| 2 | RX-R1419 | Stage Assembly |
| 3 | RX-R1418 | Air Guide |
| 4 | RX-R1411 | Bearing Plate Assy |
| 5 | RX-R665 | Grommet |
| 6 | RX-R1853 | Terminal, insulated |
| 7 | RX-H487 | Cable Clamp |
| 8 | RX-R1435 | Field Assy, revised, up to
S.N. 4545550 |
| 8 | RX-R2424 | Field Assy |
| 9 | RX-R1454 | Field Insulator |
| 10* | RX-R1426 | Armature Assy, use w/ RX-R1435 |
| 10 | RX-R1909 | Armature Assy, up to S.N. 4607200 |
| 11 | NLA | Lower Bearing |
| 12 | RX-R147 | Slinger Ring |
| 13 | RX-R146 | Bearing Shield |
| 14 | RX-H306 | Shaft Nut |
| 15 | RX-R1486 | Spacer |
| 16 | RX-R1421 | Stage Assy, upper |
| 17 | N/A | Fan Spacer, middle |
| 18 | RX-R675 | Fan Assembly |
| 19 | RX-R1416 | Fan Spacer, lower |
| 20 | RX-H475 | Screw, bearing plate |
| 21 | RX-R1415 | Gasket, bearing plate |
| 22 | RX-R1469 | Cooling Fan, armature |
| 23 | RX-H535 | Screw, field |
| 24 | RX-R1578 | Terminal, brush (flag) |
| 24 | RX-R2423 | Terminal, brush (eyelet) |
| 25 | RX-R1455 | Gasket, brush holder |
| 26 | RX-R2490 | Brush & Holder Kit |
| 27 | RX-H309 | Screw, brush holder |
| 28 | RX-R1552 | Carbon Brush & Spring |
| 29 | RX-R663 | Screw Cap |
| 30 | RX-R1448 | Motor Housing |
| 31 | RX-R1449 | Insulator, Fld Scr Insert |
| 32 | RX-R1424 | Air Deflector |
| 33 | RX-H308 | Screw, lower bearing |
| 34 | RX-R1425 | Spider |
| 35 | RX-H13 | Shaft Nut |
| 36 | RX-R312 | Separator, this is the new style
w/ large hole. Older separators
will not fit newer motors. |
| 37 | RX-R3450 | Screw, separator |
| 38 | RX-R1752 | Stage Assy, lower, w/ ground |
| 39 | RX-R1473 | Retainer, cover plate |
| 40 | RX-R1471 | Cover Plate |
| 41 | RX-R1470 | Gasket, cover plate |
| 42 | RX-R1794 | Gasket |
| 43 | RX-R1407 | Shell, motor housing |
| 44 | RX-R1795 | Gasket, lower shell |
| | RX-R1425 | Spider |

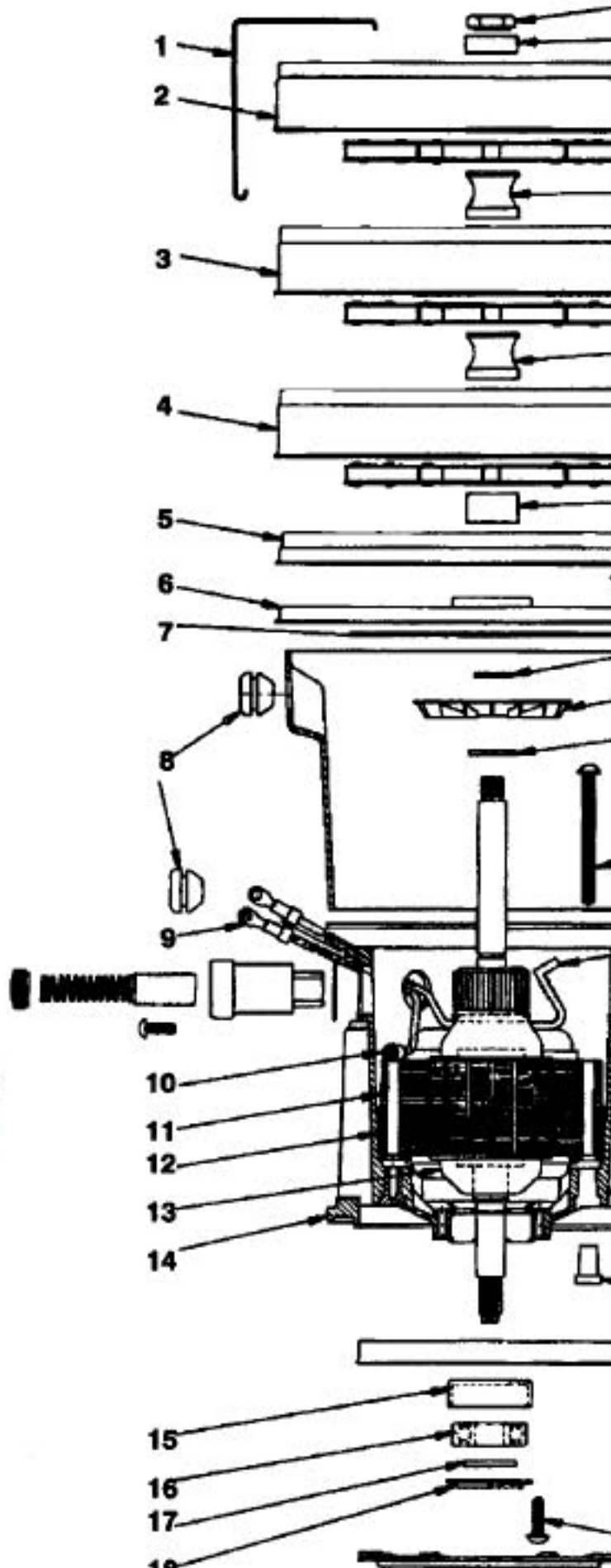


REXAIR / RAINBOW

CURRENT MOTOR ASSEMBLY

Model: R-2104, beginning serial number 4607000, 6/5/82

- | | | |
|-----|----------|--|
| | RX-R2104 | Motor, complete |
| 1 | RX-R1423 | Stage Housing Clip |
| 2 | RX-R1421 | Stage Assy, upper |
| 3 | RX-R1419 | Stage Assy, middle |
| 4 | RX-R1752 | Stage Assy, lower, w/ ground |
| 5 | RX-R1418 | Air Guide |
| 6 | RX-R1991 | Bearing Plate Assy |
| 7 | RX-R1415 | Gasket, bearing plate |
| 8 | RX-R665 | Grommet |
| 9 | RX-R1642 | Terminal, insulated, revised |
| 9 | RX-R1853 | Terminal, after S.N. 4838444 &
S.N. 4826642 - 4830159 |
| 10 | RX-H487 | Cable Clamp |
| 11* | RX-R2424 | Field Assy |
| 12 | RX-R1454 | Insulator, field |
| 13 | RX-R1974 | Armature Assy |
| 14 | RX-R1448 | Motor Housing |
| 15 | RX-R1987 | Bearing Boot |
| 16 | RX-R1981 | Ball Bearing |
| 17 | RX-R1979 | Slinger Ring |
| 18 | RX-R1980 | Bearing Shield |
| 19 | RX-H306 | Shaft Nut |
| 20 | RX-R1984 | Fan Spacer, upper |
| 21 | RX-R1978 | Fan Assy |
| 22 | N/A | Fan Spacer, middle |
| 23 | RX-R1982 | Fan Spacer, lower |
| 24 | RX-H475 | Screw, bearing plate |
| 25 | RX-H523 | Retaining Ring |
| 26 | RX-R1975 | Cooling Fan, armature |
| 27 | RX-R2107 | Fan Spacer |
| 28 | RX-R1407 | Shell Motor Housing |
| 29 | RX-H474 | Screw, motor field |
| 30 | RX-R1795 | Gasket, lower shell |
| 31 | RX-R2423 | Terminal, brush |
| 32 | RX-R1455 | Gasket, brush holder |
| 33 | RX-R2490 | Brush Holder Kit |
| 33 | RX-R2421 | Carbon Brush, after S.N. 4838444
& S.N. 4826642 - 4830159 |
| 34 | RX-R2420 | Brush Holder, after S.N. 4838444
& S.N. 4826642 - 4830159 |
| | RX-R2423 | Field Terminal |
| 35 | RX-H309 | Screw, brush holder |
| 36 | RX-R663 | Screw Cap, prior to 9/84 |
| 37 | RX-R1473 | Retainer, cover plate |
| 38 | RX-R1471 | Cover Plate |
| 39 | RX-R1470 | Gasket, cover plate |
| 40 | RX-R1449 | Insulator, Fld Scr insert |
| 41 | RX-R1424 | Air Deflector |
| 42 | RX-H308 | Screw, lower bearing |
| 43 | RX-R1976 | Spider |
| 44 | RX-H526 | Lock Nut Spider |
| 45 | RX-H524 | Acorn Nut, bevel |
| | RX-R212 | Separator |



REXAIR / RAINBOW

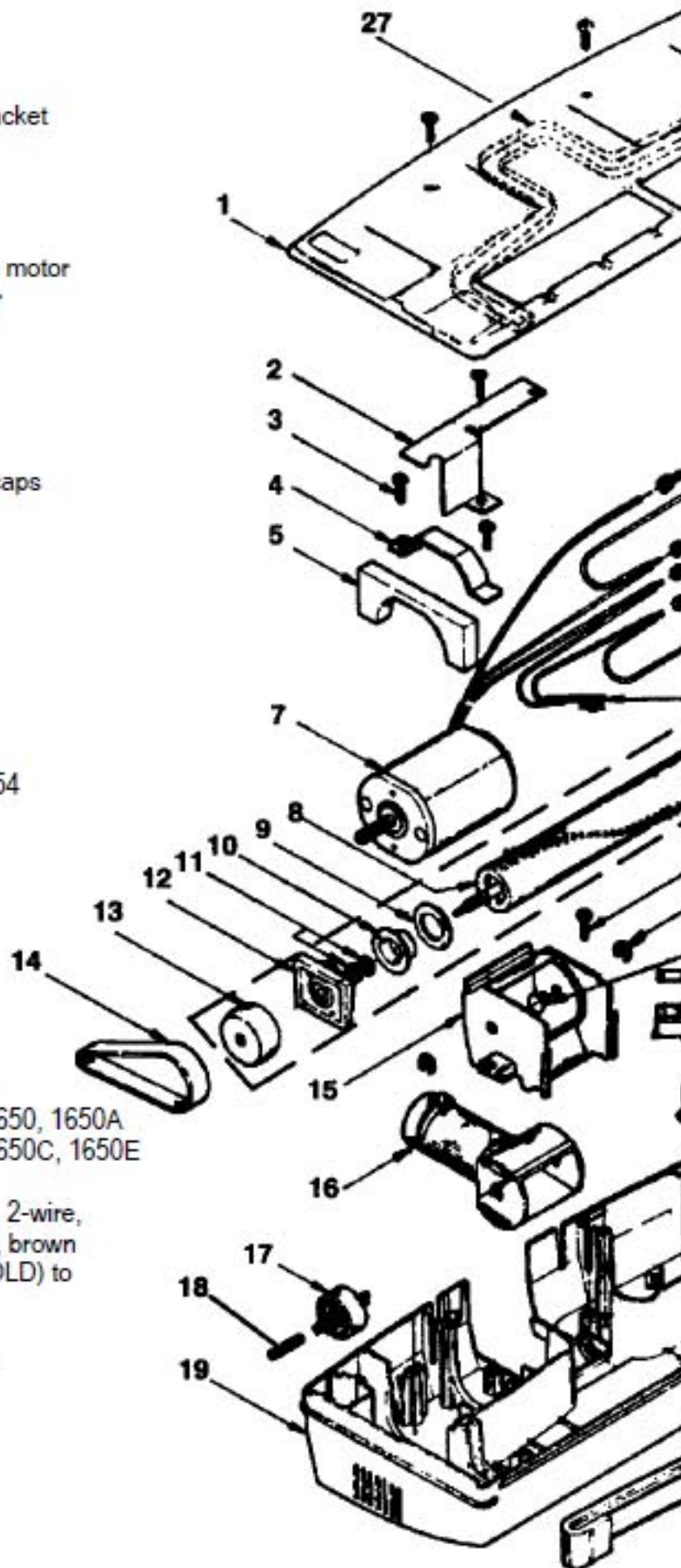
POWER NOZZLE ASSEMBLY

Models: R-1650 /A/C/E

- | | | |
|----|----------|---|
| 1 | RX-R2004 | Bottom Plate Assy |
| 2 | RX-R1997 | Insulator |
| 3 | RX-H515 | Screw |
| 3 | RX-H552 | Screw, for use w/o motor bracket |
| 4 | RX-R1716 | Motor Bracket |
| 5 | RX-R1813 | Air Barrier |
| 6 | RX-R2069 | Felt Pad |
| 7 | RX-R1871 | Motor |
| | RX-R4662 | Carbon Brush, power nozzle motor |
| | RX-R4663 | Bearing, power nozzle motor |
| | RX-R3550 | Sleeve Assy |
| 8 | RX-R1690 | Brush Roll Only, no ends |
| 9 | RX-R1692 | Felt Seal |
| 10 | RX-R1691 | Keeper |
| 11 | RX-R1698 | Thrust Washer |
| 12 | RX-R1744 | Bearing Assy, includes end caps |
| | RX-R2443 | End Caps |
| 13 | RX-R1702 | Pulley |
| 14 | RX-R1699 | Drive Belt |
| 15 | RX-R1957 | Pivot Housing |
| 16 | RX-R2081 | Pivot Arm Assy |
| 17 | RX-R1703 | Wheel |
| 18 | RX-R1704 | Wheel Pin |
| 19 | NLA | Main Housing |
| 20 | RX-R2795 | Bumper |
| 21 | NLA | Insulation Pod, use RX-R1754 |
| 22 | RX-R1775 | Closed End Splice |
| 23 | RX-R1754 | Lead Assy, w/ pod |
| 24 | RX-R1818 | Indicator Light Assy |
| 25 | RX-R1780 | Insulator, circuit breaker |
| 26 | RX-R1747 | Circuit Breaker |
| 27 | RX-R2003 | Gasket, bottom plate |
| 28 | RX-R1695 | Beater Bar |
| 29 | RX-H527 | E-Ring |
| 30 | RX-R1996 | Clevis Pin |
| 31 | RX-R1866 | Brush Roll Assy, complete |
| | RX-R2228 | Pivot Arm & Housing Kit, R1650, 1650A |
| | RX-R3301 | Pivot Arm & Housing Kit, R1650C, 1650E |
| | RX-H514 | Ground Screw, R1650A |
| | RX-R2496 | Power Nozzle Cord, 1 piece, 2-wire,
machine to power nozzle, brown |
| | RX-R1877 | Conversion Cord, 2 prong (OLD) to
3 prong (NEW) |

Rexair Parts for old Eureka style Power Nozzle that are not shown in Eureka Catalog.

- | | |
|----------|-------------------|
| RX-R6621 | Hose Assy |
| RX-R1836 | Hose Cord, 3-wire |
| RX-R1868 | Wand Cord, 3-wire |



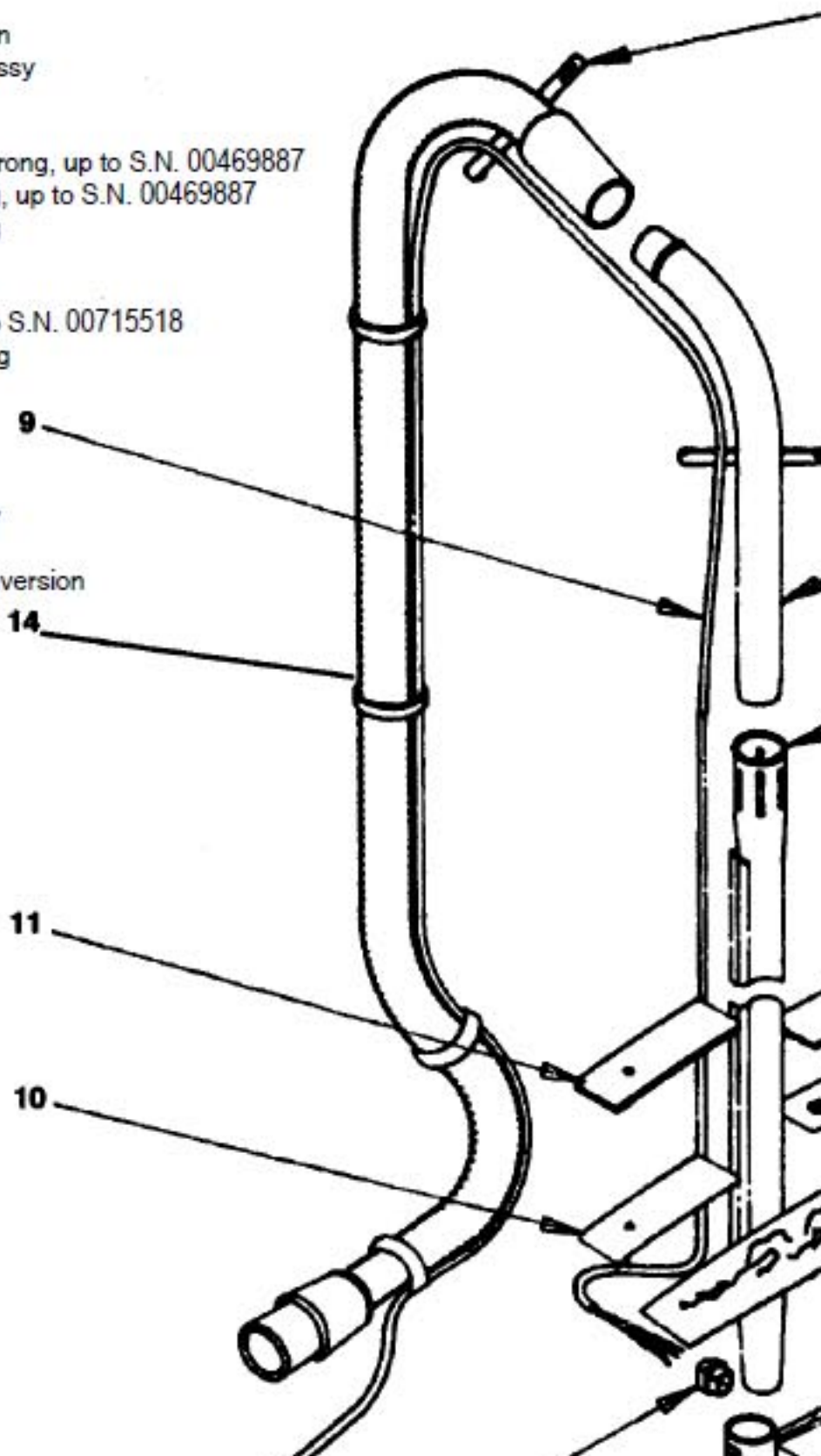
REXAIR / RAINBOW

POWER NOZZLE ASSEMBLY

Models: R-1650 /A/C/E

- 1.....RX-R1045Hose Cord Strap
- 2.....RX-R1999Curved Wand Assy
- 3.....RX-R5066Straight Wand Assy
- 4.....RX-R3051Lens, right side
- 4.....N/ALens, right side, up to S.N. 00883682
- 5.....RX-R3052Applique, right side
- 6.....RX-R1994Applique, wood grain
- 7.....RX-R1993Slide Valve Guide Assy
- 8.....RX-R1990Slide Valve
- 9.....RX-R2496Cord, power nozzle
- 9.....RX-R1717Extension Cord, 2 prong, up to S.N. 00469887
- 9.....RX-R1714Wand Cord, 2 prong, up to S.N. 00469887
- 9.....RX-R1836Wand Cord, 3 prong
- 10.....RX-R1729Applique, left side
- 11.....RX-R2685Lens, left side
- 11.....RX-R1684Lens, left side, up to S.N. 00715518
- 12.....RX-R4053Strain Relief Bushing
- 13.....RX-R1045Strap, wand cord
- 14.....RX-R6621Hose Assy, 18 yarn,
all except D4CSE

- RX-R2784Hose Coupling Assy
- RX-R579Molded Tip Only
- RX-R1877Extension Cord Conversion
- RX-R3520Cord Guide
Replacement Kit

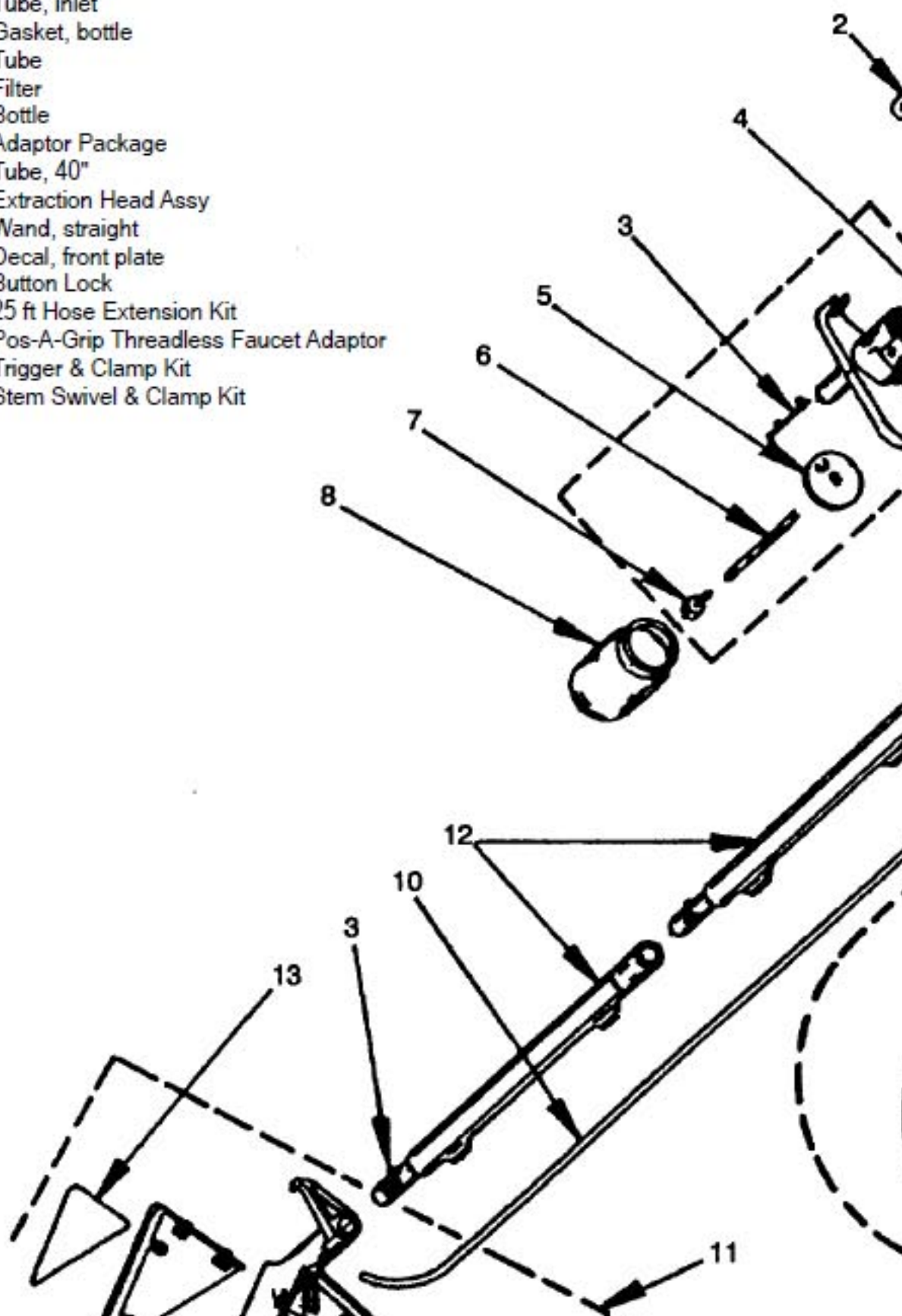


REXAIR / RAINBOW

AQUAMATE EXTRACTION UNIT

Original Series R-2031

- | | | |
|---------|----------|--------------------------------------|
| 1..... | N/A | Trigger Valve & 50 ft Hose Assy |
| 2..... | N/A | Curved Wand Assy |
| 3..... | NLA | Button Lock |
| 4..... | NLA | Tube, inlet |
| 5..... | N/A | Gasket, bottle |
| 6..... | NLA | Tube |
| 7..... | N/A | Filter |
| 8..... | NLA | Bottle |
| 9..... | N/A | Adaptor Package |
| 10..... | RX-R2026 | Tube, 40" |
| 11..... | NLA | Extraction Head Assy |
| 12..... | N/A | Wand, straight |
| 13..... | NLA | Decal, front plate |
| 14..... | NLA | Button Lock |
| | RX-R2091 | 25 ft Hose Extension Kit |
| | RX-R2090 | Pos-A-Grip Threadless Faucet Adaptor |
| | N/A | Trigger & Clamp Kit |
| | RX-R2233 | Stem Swivel & Clamp Kit |

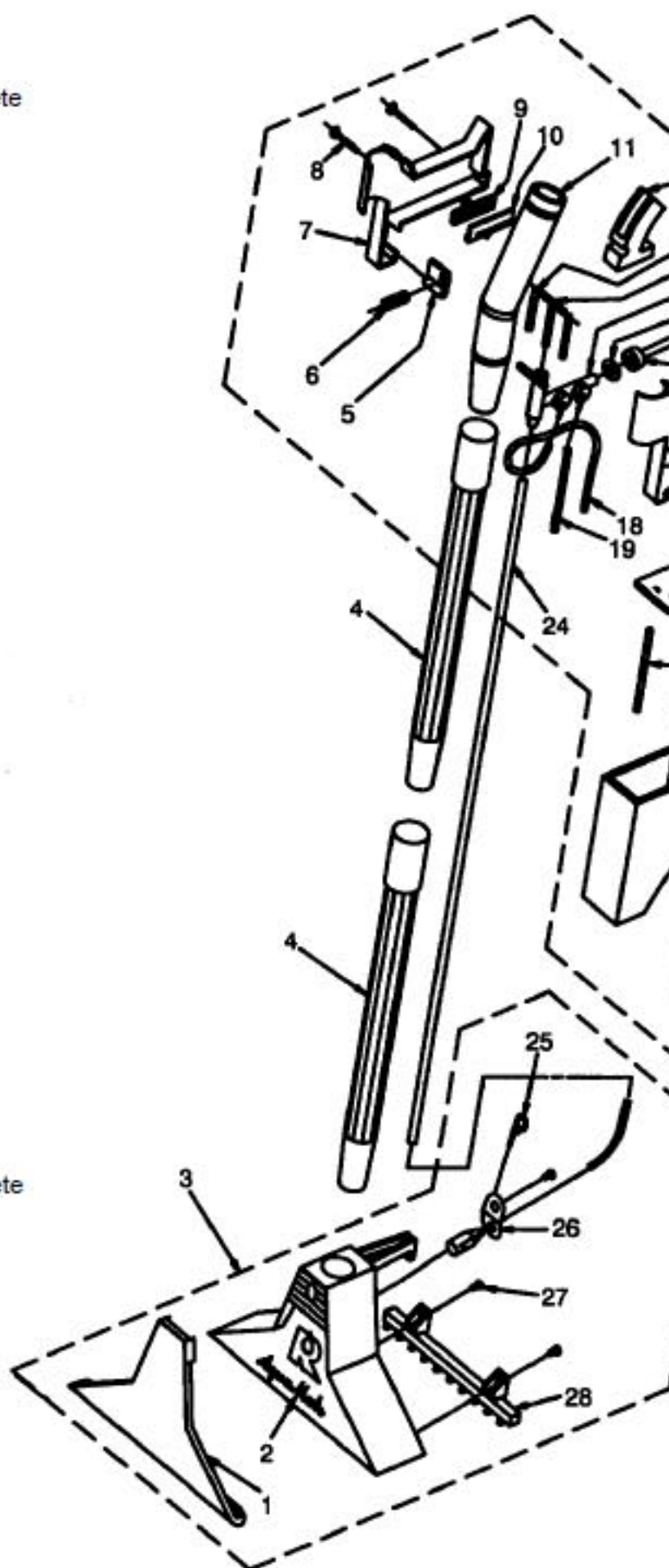


REXAIR / RAINBOW

"AQUAMATE" WATER EXTRACTION UNIT

Oxford Brown

- | | | | |
|---------|----------|-------|--------------------------------|
| 1..... | RX-R2269 | | Front Plate |
| 2..... | RX-R3581 | | AquaMate Head Decal |
| 3..... | N/A | | Extraction Head Assy, complete |
| 4..... | N/A | | Straight Wand Assy |
| 5..... | RX-R2322 | | Bottle Latch |
| 6..... | RX-R2321 | | Latch Spring |
| 7..... | N/A | | Right Housing Assy |
| 8..... | RX-H537 | | Screw |
| 9..... | RX-R2326 | | Slide Adjustment |
| 10..... | RX-R2318 | | Pinch Arm |
| 11..... | N/A | | Bent Arm Assy |
| 12..... | RX-R2340 | | Trigger |
| 13..... | RX-R6977 | | Spring, trigger |
| 14..... | RX-R2571 | | Valve Control Rod Assy |
| 15..... | RX-R2400 | | Fluid Control Assy |
| 16..... | RX-R2401 | | "O" Ring |
| 17..... | RX-R2402 | | Hose Connection |
| 18..... | RX-R2602 | | Detergent Inlet Tube |
| 19..... | RX-R2483 | | Overflow & Bottle Fill Tube |
| 20..... | RX-R2471 | | Left Housing Assy |
| 21..... | RX-R2317 | | Foam Gasket |
| 22..... | RX-R7351 | | Flow Control |
| 23..... | N/A | | Solution Bottle Assy |
| 24..... | RX-R2026 | | 40" Tube |
| 25..... | N/A | | Nozzle Clean-Out Tool |
| 26..... | RX-R2260 | | Spray Nozzle Plate Kit |
| | RX-R2626 | | Brass Spray Nozzle |
| | RX-R2627 | | Support Plate |
| 27..... | RX-H491 | | Screw |
| 28..... | RX-R2262 | | Brush Assy |
| 29..... | RX-R2080 | | Long Adaptor Thick Washer |
| 30..... | RX-R7356 | | Screen Washer |
| 31..... | RX-R6138 | | Stern Nut |
| 32..... | RX-R2040 | | Tubing Clamp |
| 33..... | RX-R4651 | | 50 ft Hose Assy |
| 34..... | RX-R2065 | | Anti-Drip Washer |
| 35..... | RX-R2079 | | Washer, short adaptor |
| 36..... | RX-R2045 | | Adaptor, short |
| 37..... | N/A | | Control Network Assy, complete |
| | RX-R2469 | | Adaptor Package (included) |
| | RX-R2042 | | Swivel Stem, white piece |



RX-R5426
Stainless Steel Wands, 2 used