

This Owner's Manual is provided and hosted by [Appliance Factory Parts](http://www.appliancefactoryparts.com).



Pulman Holt COM-ES2000 Owner's Manual

[Shop genuine replacement parts for Pulman Holt
COM-ES2000](#)



[Find Your Pulman Holt Vacuum Cleaner Parts - Select From 7 Models](#)

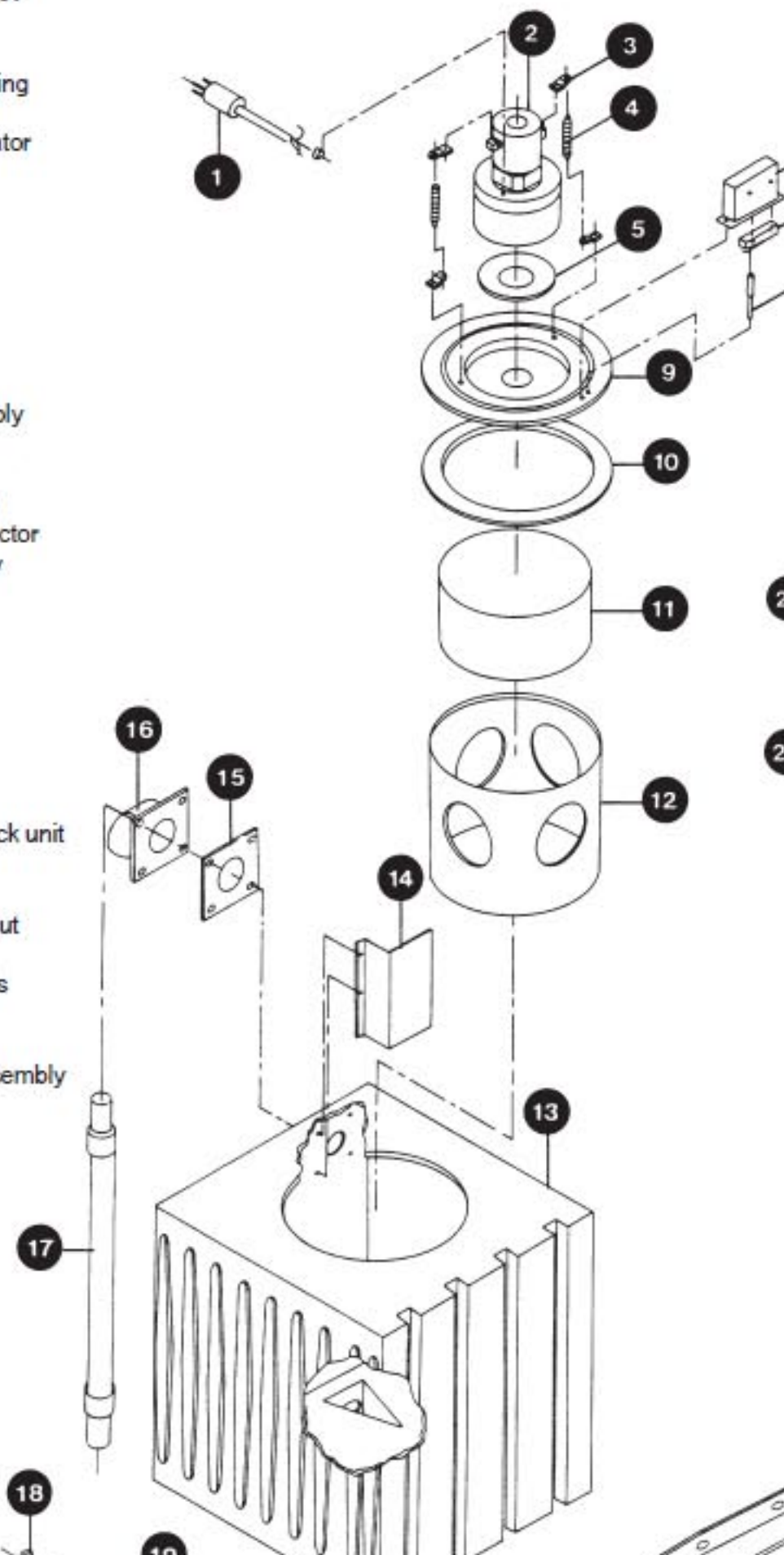
----- Manual continues below -----

PULLMAN-HOLT

Model: ES2000

Solution Rec

- | | | |
|----|--------------|--------------------------|
| 1 | PH-B524848 | Cordset |
| 2 | PH-B000479 | Vacuum motor 115v |
| 3 | PH-B11612500 | Vacuum motor 220v |
| 4 | NLA | Spring |
| 5 | PH-B701385 | Gasket |
| 6 | PH-B970589 | Float switch housing |
| 7 | PH-B931254 | Float switch |
| 8 | PH-B914709 | Float switch actuator |
| 9 | PH-B970586 | Mounting plate |
| 10 | PH-B931227 | Gasket |
| 11 | PH-B931666 | Float body |
| 12 | PH-B970588 | Float housing |
| 13 | PH-B970581 | Recovery tank |
| 14 | PH-B970584 | Inlet baffle |
| 15 | NLA | Inlet gasket |
| 16 | PH-B524881 | Tank inlet |
| 17 | NLA | Inlet hose assembly |
| 18 | PH-B931309 | Hose cap |
| 19 | PH-B931312 | Drain hose |
| 20 | PH-B931311 | Drain hose clamp |
| 21 | PH-B970585 | Drain hose connector |
| 22 | PH-B802346 | Strainer assembly |
| 23 | PH-B931231 | Solution tank |
| 24 | NLA | Strainer |
| 25 | PH-B932191 | Drain body |
| 26 | PH-B932188 | Washer |
| 27 | PH-B932784 | Gasket |
| 28 | PH-B932188 | Washer |
| 29 | NLA | Nut |
| 30 | PH-B932173 | Drain cock |
| 31 | PH-B931245 | Solution tank check unit |
| 32 | PH-B960443 | Rear strap |
| 33 | PH-B931665 | Back up blade |
| 34 | PH-B700168 | Squeegee hand nut |
| 35 | PH-B931692 | Rear blade |
| 36 | PH-B931607 | Squeegee w/studs |
| 37 | PH-B931614 | Front blade |
| 38 | PH-B931612 | Front strap |
| 39 | PH-B960697 | 27" squeegee assembly |
| 40 | PH-B931295 | Screen |

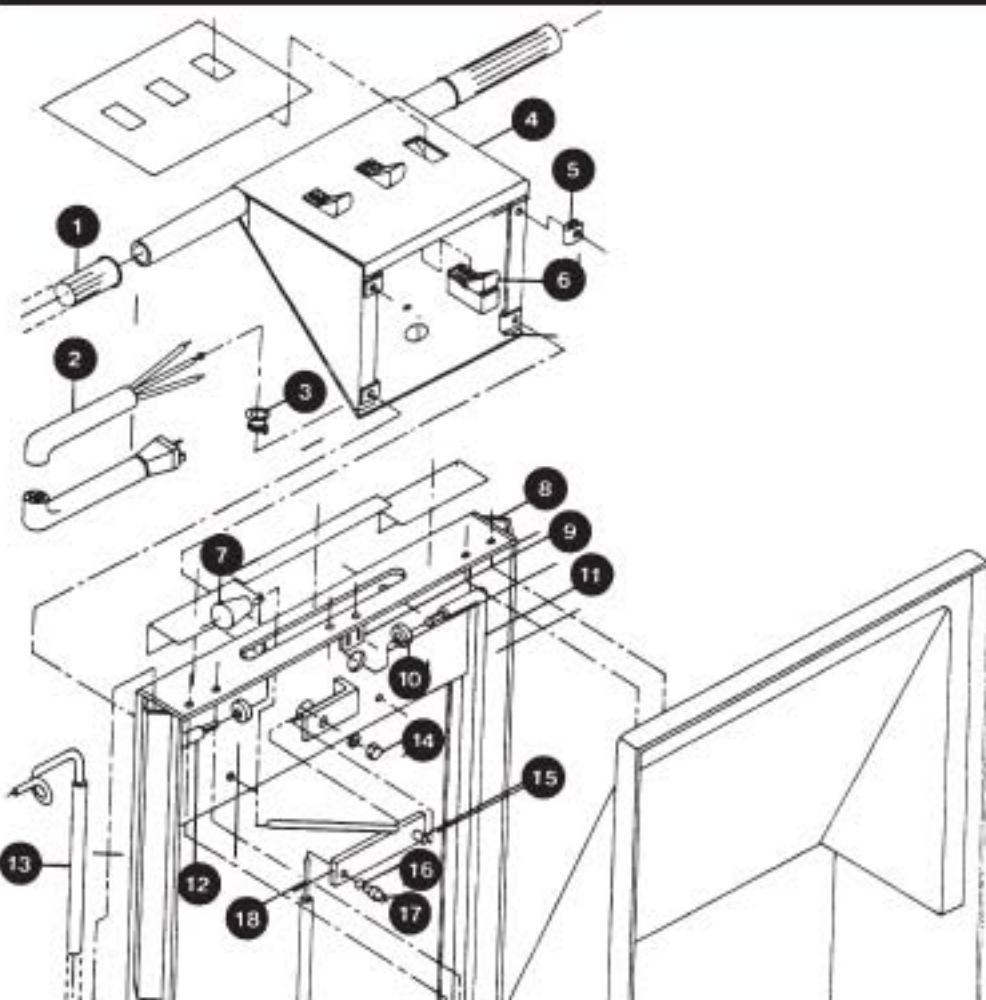
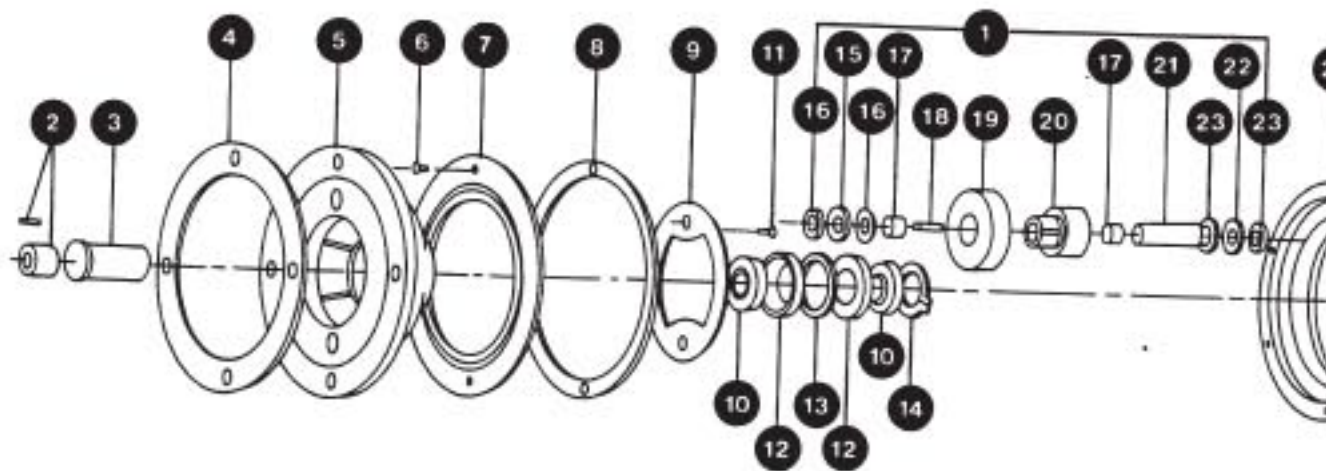


PULLMAN-HOLT

Model: ES2000

- 3 PH-B930659 Center shaft
- 4 PH-B932788 Gasket
- 6 PH-B932616 Screw spec
- 8 PH-B932789 Gasket
- 9 PH-B930605 Grease baffle
- 10 PH-B930660 Bearing cone
- 11 PH-B932616 Screw spec
- 12 PH-B521479 Bearing cup
- 13 PH-B960739 Bearing spacer

- 15 PH-B960424 Thrust bearing
- 16 PH-B960425 Race bearing
- 17 PH-B930611 Needle bearing
- 18 PH-B930628 Idler gear key
- 20 PH-B930621 Idler gear, steel
- 21 PH-B930647 Idler shaft gear
- 22 PH-B960424 Thrust bearing
- 23 PH-B960425 Race bearing
- 26 PH-B930658 Pressure washer

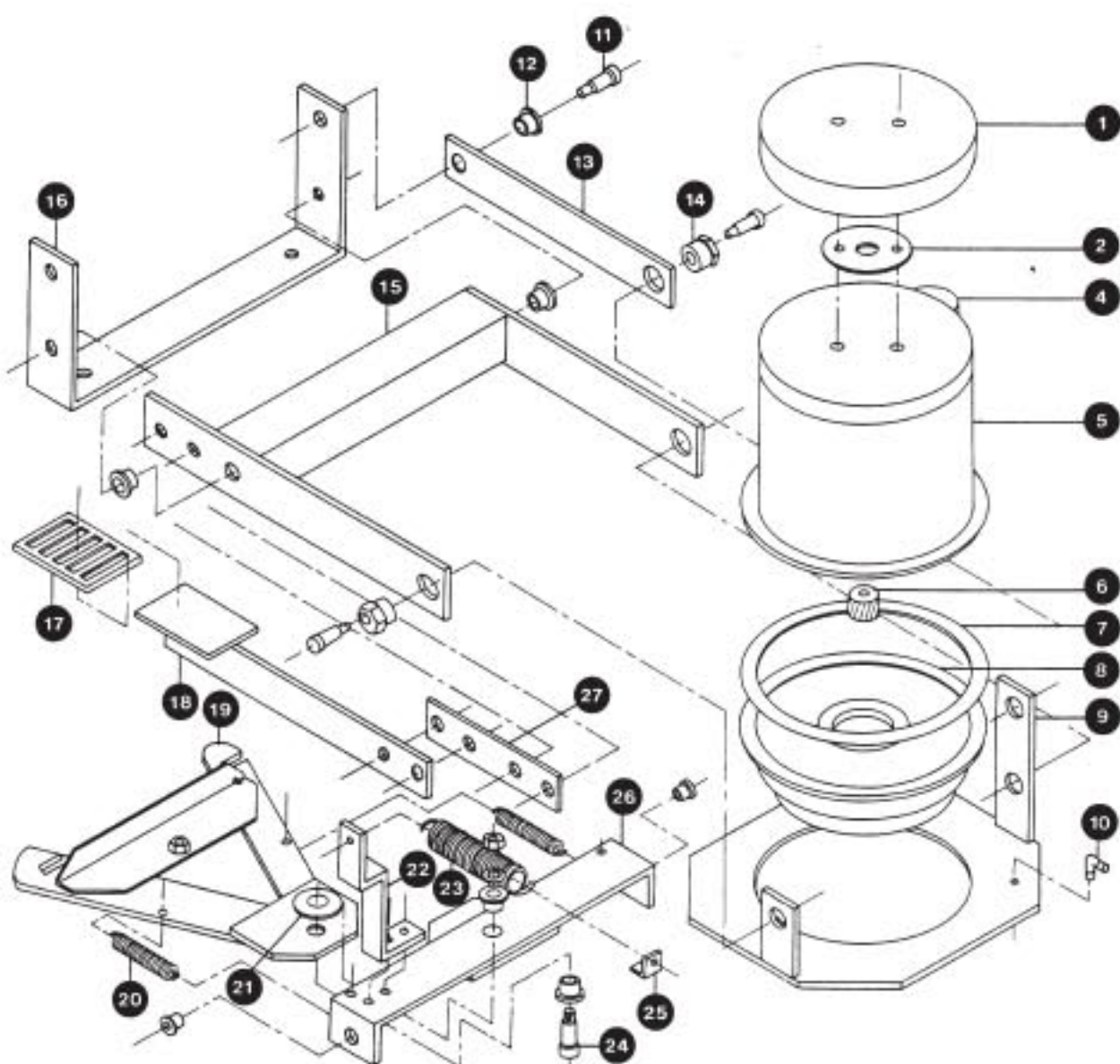


- 1 PH-B932046 Thrust bearing
- 2 PH-B520026 Race bearing
- 3 PH-B910089 Needle bearing
- 4 PH-B525027 Idler gear key
- 5 PH-B931252 Idler gear, steel
- 6 PH-B524934 Idler shaft gear
- 7 PH-B931255 Thrust bearing
- 8 PH-B525029 Race bearing
- 9 PH-B000485 Needle bearing
- 10 PH-B932069 Idler gear, steel
- 11 PH-B700547 Idler shaft gear
- 12 PH-B525025 Thrust bearing
- 13 PH-B931527 Race bearing
- 14 NLA
- 15 PH-B931217 Needle bearing
- 16 PH-B932569 Idler gear key
- 17 PH-B931307 Idler gear, steel
- 18 PH-B980420 Idler shaft gear
- 19 PH-B980467 Thrust bearing
- 20 PH-B932165 Race bearing

PULLMAN-HOLT

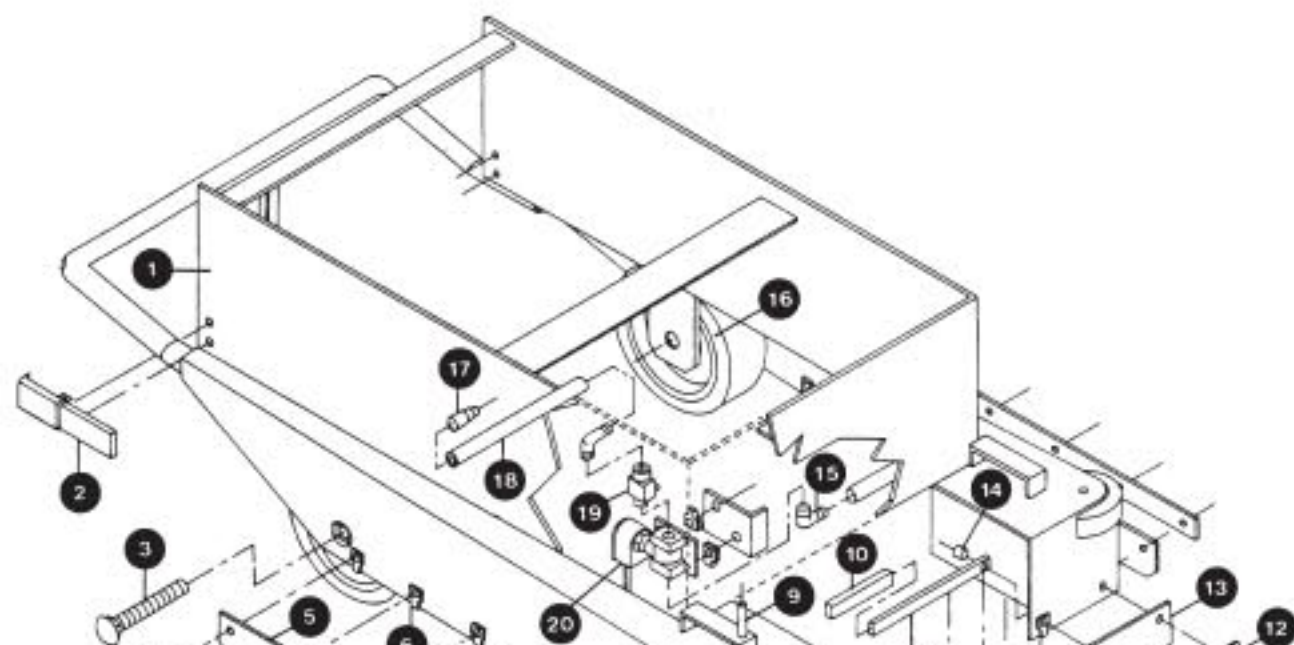
Model: ES2000

Brush



- 1 PH-B205081
- 2 PH-B930522
- 3 PH-B930506
- 7 PH-B932788
- 8 PH-B980489
- 9 PH-B931194
- 10 PH-B931305
- 11 PH-B931286
- 12 PH-B931244
- 13 PH-B931189
- 14 PH-B931662
- 15 PH-B931200
- 16 PH-B931186
- 17 PH-B931209
- 18 PH-B701385
- 19 PH-B931275
- 20 PH-B931257
- 21 PH-B932188
- 22 PH-B931269
- 23 PH-B931256
- 24 PH-B931287
- 25 PH-B980322
- 26 PH-B931272
- 27 PH-B931315
- 28 PH-B452004

CH



- 1 PH-B97055
- 2 PH-B00055
- 3 PH-B93120
- 4 PH-B93166
- 5 PH-B93166
- 6 PH-B93120
- 7 PH-B93210
- 8 PH-B93130
- 9 PH-B93120
- 10 PH-B93170
- 11 PH-B93150
- 12 PH-B93120
- 13 PH-B93166
- 15 PH-B93130
- 16 PH-B23020
- 17 PH-B93120