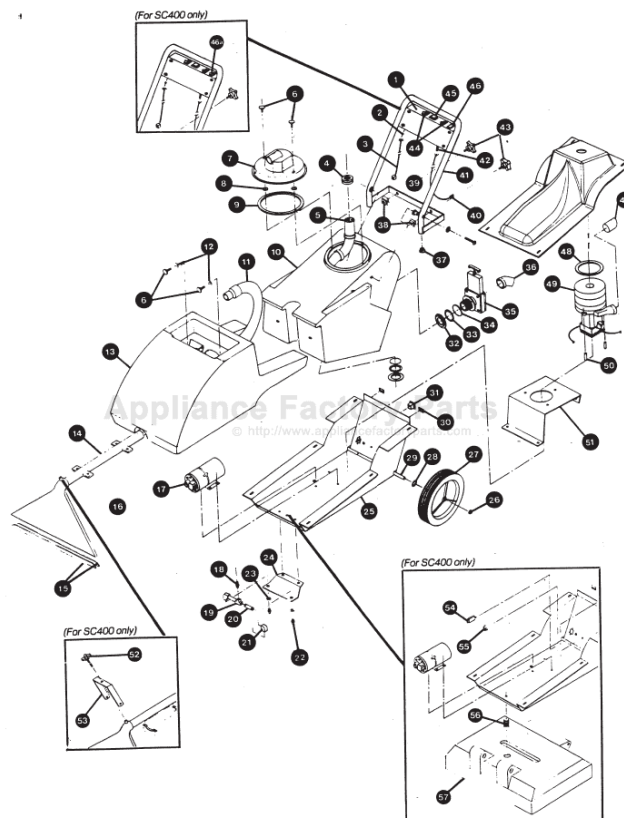


This Owner's Manual is provided and hosted by [Appliance Factory Parts](http://ApplianceFactoryParts.com).



Pulman Holt COM-SC300 Owner's Manual

[Shop genuine replacement parts for Pulman Holt
COM-SC300](#)



[Find Your Pulman Holt Vacuum Cleaner Parts - Select From 7 Models](#)

----- Manual continues below -----

PULLMAN-HOLT

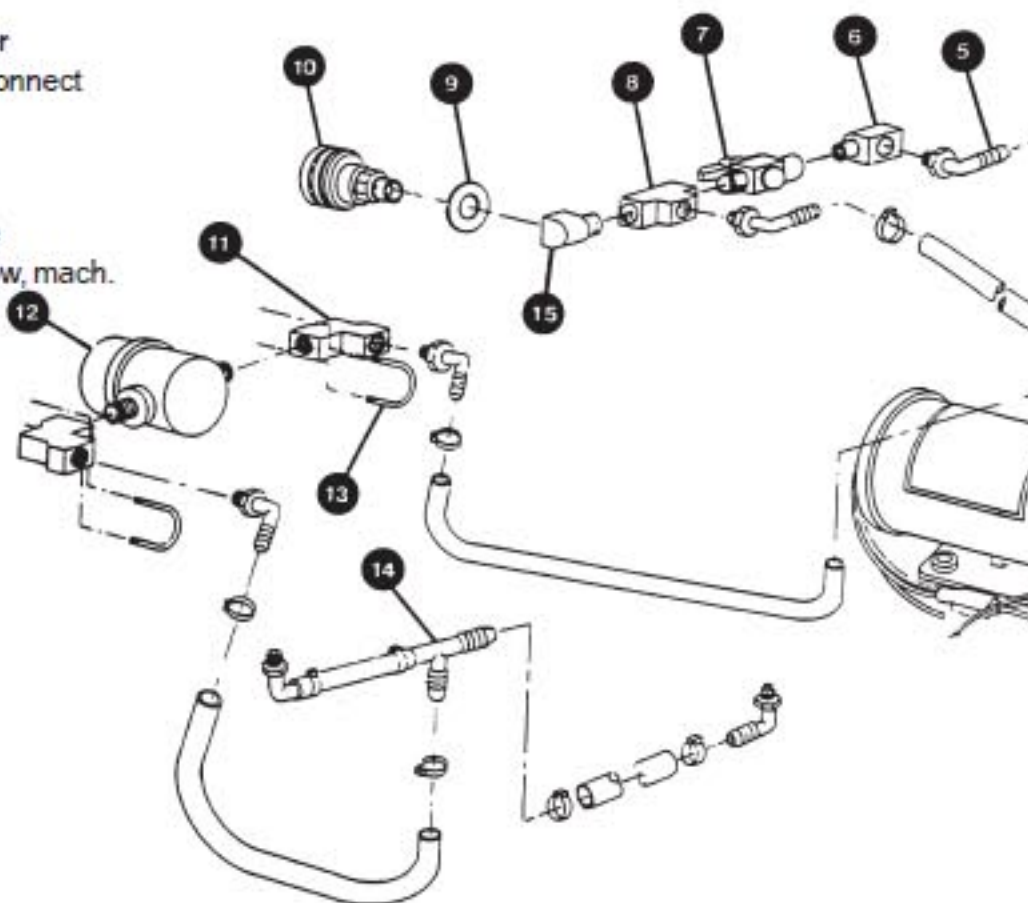
Model: COM-SC300, COM-SC400

1	PH-B600087	Control panel
2	PH-B910089	Relief strain
3	PH-B230008	Wire harness SW/BX to chassis
4	PH-B230016	Stand pipe screen assembly
5	PH-B230006	Stand pipe assembly
6	PH-B700167	Knob
7	PH-B641652	Sight dome
8	PH-B700140	Washer
9	PH-B600091	Sight dome gasket
10	PH-B700164	Recovery tank
11	PH-B600111	Hose assembly
12	PH-B932718	Washer
13	PH-B700163	Solution tank
14	PH-B230005	Vac shoe assembly
15	NLA	Shoe lip guard
16	PH-B600089	Shoe support clamp
17	NLA	Pump, flo-jet 2035
18	PH-B700178	Male hose barb
19	PH-B700174	Female pipe tee
20	PH-B700187	Long pipe nipple
21	PH-B700175	90 Elbow
22	PH-B700146	Spray nozzle
23	PH-B700190	Washer
24	NLA	Nozzle bracket gray
25	PH-B600098	Frame painted gray
26	PH-B700381	Cab hub wheel
27	PH-B600142	Wheel, 10 x 1.75"
28	PH-B525124	1/2 flat washer
29	PH-B600112	Wheel shaft
30	PH-B931532	Right hand hinge Loose mt. pl.
31	PH-B700129	Connector pan MTG 5 contacts
32	PH-B980228	Nut flanged dump valve
33	PH-B980227	Gasket dump valve-thick
34	PH-B700531	"O" ring
35	PH-B960941	Dump valve and nipple, plastic
36	NLA	45 Drain 2"
37	PH-B700188	Handle pipe end plug, 1" diameter
38	PH-B700375	Self-retaining nut
39	PH-B600090	Hole pivot pin
40	PH-B700128	Cord set
41	NLA	Handle assembly, painted gray
42	PH-B700116	Strain relief flex protector
43	PH-B700168	Handle knob
44	PH-B525298	Rocker switch
45	PH-B700124	Switch, push button
46	NLA	Hole plug
47	PH-B600099	Vac discharge tube
48	PH-B911803	Gasket
49	PH-B700125	Vac motor 115v
50	PH-B600141	Vac motor spacer
51	PH-B600100	Vac motor bracket

PULLMAN-HOLT

Model: COM-SC300, COM-SC400

- | | | |
|----|------------|---------------------|
| 1 | NLA | Pump |
| 2 | PH-B911710 | Hose clamp |
| 3 | PH-B700141 | One eared clamp |
| 4 | PH-B700142 | Hose |
| 5 | PH-B700144 | Barbed elbow |
| 6 | PH-B700182 | Street elbow |
| 7 | PH-B700122 | Valve |
| 8 | PH-B700183 | Tee |
| 9 | PH-B525124 | Flat washer |
| 10 | PH-B527616 | Quick disconnect |
| 11 | PH-B700194 | 90° elbow |
| 12 | PH-B700117 | Inline filter |
| 13 | PH-B700322 | U-bolt |
| 14 | PH-B700143 | Barbed tee |
| 15 | NLA | Street elbow, mach. |



- | | | |
|----|------------|----------------------|
| 1 | PH-B700126 | DC motor |
| 2 | PH-B700127 | Brush |
| 3 | PH-B524121 | Pin Hair style |
| 4 | NLA | Adjusting bracket |
| 5 | PH-B980581 | Adjusting knob |
| 6 | PH-B700108 | Spring |
| 7 | PH-B600705 | Power brush housing |
| 8 | NLA | Power brush bracket |
| 9 | PH-B702922 | Axle pivot |
| 10 | PH-B702920 | Hub cap |
| 11 | PH-B700178 | Hose barb |
| 12 | PH-B600710 | Mainfold |
| 13 | PH-B702945 | Nozzle body assembly |
| 14 | PH-B702944 | End cap |
| 18 | NLA | Brush shaft |
| 19 | PH-B700172 | Bearing |
| 20 | PH-B701960 | Bearing block |
| 21 | PH-B701359 | Brush pulley |
| 22 | PH-B701358 | Belt timing |

