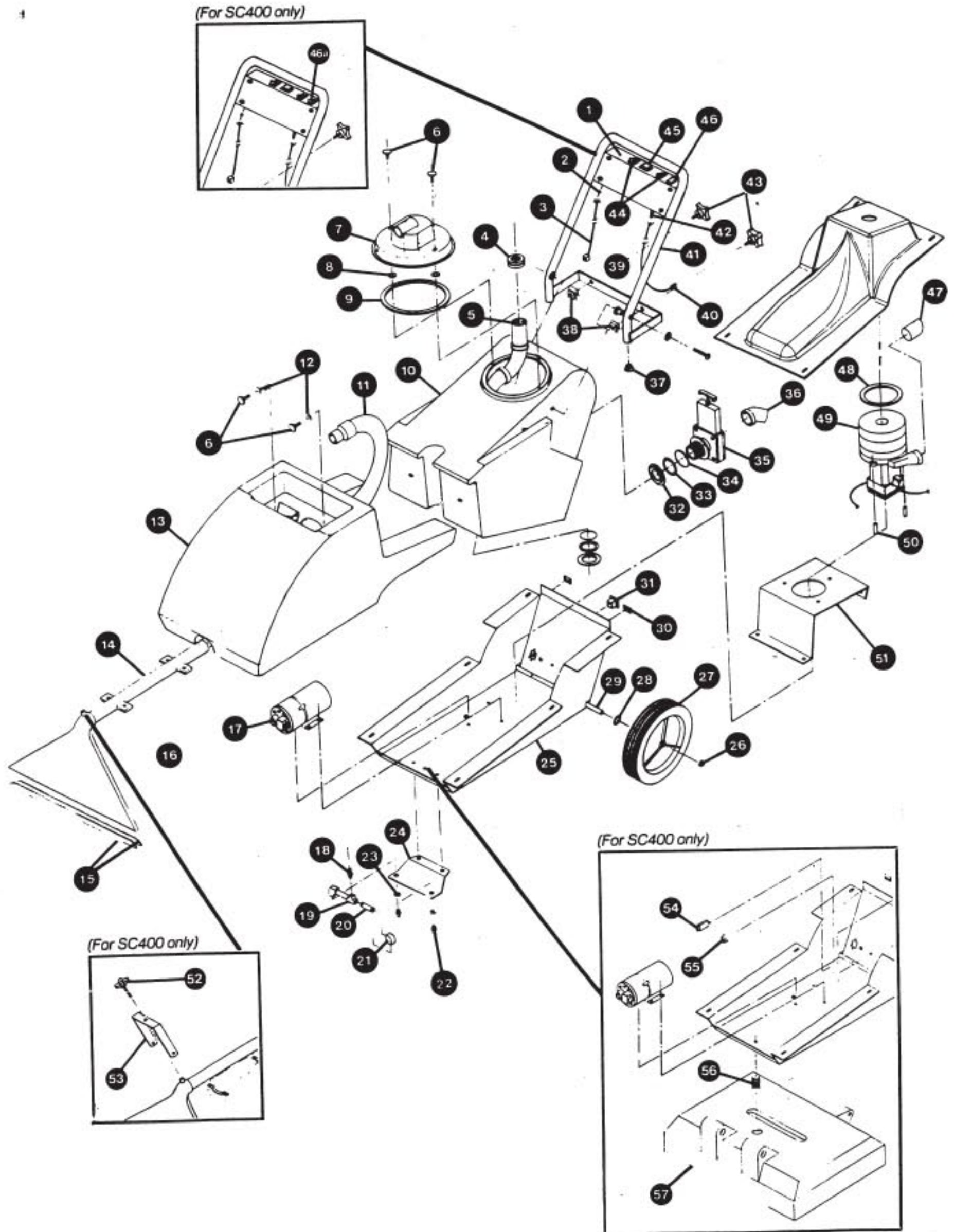


PULLMAN-HOLT

EXTRACTORS

Model: COM-SC300, COM-SC400



Model: COM-SC300, COM-SC400

1	PH-B600087	Control panel
2	PH-B910089	Relief strain
3	PH-B230008	Wire harness SW/BX to chassis
4	PH-B230016	Stand pipe screen assembly
5	PH-B230006	Stand pipe assembly
6	PH-B700167	Knob
7	PH-B641652	Sight dome
8	PH-B700140	Washer
9	PH-B600091	Sight dome gasket
10	PH-B700164	Recovery tank
11	PH-B600111	Hose assembly
12	PH-B932718	Washer
13	PH-B700163	Solution tank
14	PH-B230005	Vac shoe assembly
15	NLA	Shoe lip guard
16	PH-B600089	Shoe support clamp
17	NLA	Pump, flo-jet 2035
18	PH-B700178	Male hose barb
19	PH-B700174	Female pipe tee
20	PH-B700187	Long pipe nipple
21	PH-B700175	90 Elbow
22	PH-B700146	Spray nozzle
23	PH-B700190	Washer
24	NLA	Nozzle bracket gray
25	PH-B600098	Frame painted gray
26	PH-B700381	Cab hub wheel
27	PH-B600142	Wheel, 10 x 1.75"
28	PH-B525124	1/2 flat washer
29	PH-B600112	Wheel shaft
30	PH-B931532	Right hand hinge Loose mt. pl.
31	PH-B700129	Connector pan MTG 5 contacts
32	PH-B980228	Nut flanged dump valve
33	PH-B980227	Gasket dump valve-thick
34	PH-B700531	"O" ring
35	PH-B960941	Dump valve and nipple, plastic
36	NLA	45 Drain 2"
37	PH-B700188	Handle pipe end plug, 1" diameter
38	PH-B700375	Self-retaining nut
39	PH-B600090	Hole pivot pin
40	PH-B700128	Cord set
41	NLA	Handle assembly, painted gray
42	PH-B700116	Strain relief flex protector
43	PH-B700168	Handle knob
44	PH-B525298	Rocker switch
45	PH-B700124	Switch, push button
46	NLA	Hole plug
47	PH-B600099	Vac discharge tube
48	PH-B911803	Gasket
49	PH-B700125	Vac motor 115v
50	PH-B600141	Vac motor spacer
51	PH-B600100	Vac motor bracket

For COM-SC400 Only

54	PH-B700115	Circuit breaker, 2A
56	PH-B700108	Compression spring
57	PH-B230003	Power brush assembly

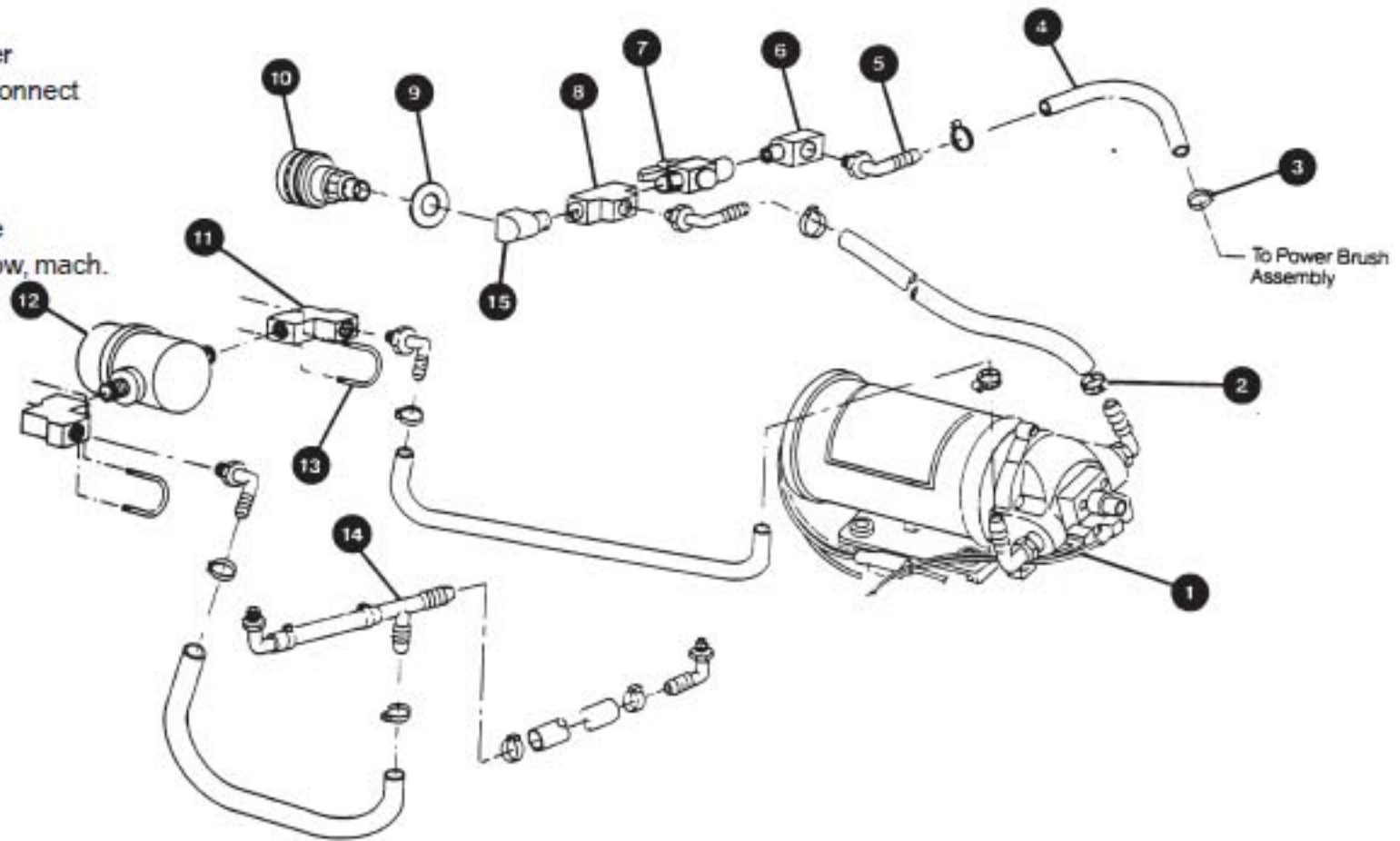
PULLMAN-HOLT

EXTRACTORS

Model: COM-SC300, COM-SC400

Pump Assembly/Power Brush

- 1 NLA Pump
- 2 PH-B911710 Hose clamp
- 3 PH-B700141 One eared clamp
- 4 PH-B700142 Hose
- 5 PH-B700144 Barbed elbow
- 6 PH-B700182 Street elbow
- 7 PH-B700122 Valve
- 8 PH-B700183 Tee
- 9 PH-B525124 Flat washer
- 10 PH-B527616 Quick disconnect
- 11 PH-B700194 90° elbow
- 12 PH-B700117 Inline filter
- 13 PH-B700322 U-bolt
- 14 PH-B700143 Barbed tee
- 15 NLA Street elbow, mach.



- 1 PH-B700126 DC motor
- 2 PH-B700127 Brush
- 3 PH-B524121 Pin Hair style
- 4 NLA Adjusting bracket
- 5 PH-B980581 Adjusting knob
- 6 PH-B700108 Spring
- 7 PH-B600705 Power brush housing
- 8 NLA Power brush bracket
- 9 PH-B702922 Axle pivot
- 10 PH-B702920 Hub cap
- 11 PH-B700178 Hose barb
- 12 PH-B600710 Mainfold
- 13 PH-B702945 Nozzle body assembly
- 14 PH-B702944 End cap
- 18 NLA Brush shaft
- 19 PH-B700172 Bearing
- 20 PH-B701960 Bearing block
- 21 PH-B701359 Brush pulley
- 22 PH-B701358 Belt, timing
- 23 PH-B701360 Motor pulley
- 24 PH-B700147 Brush motor plate
- 25 PH-B600114 Brush motor gasket

