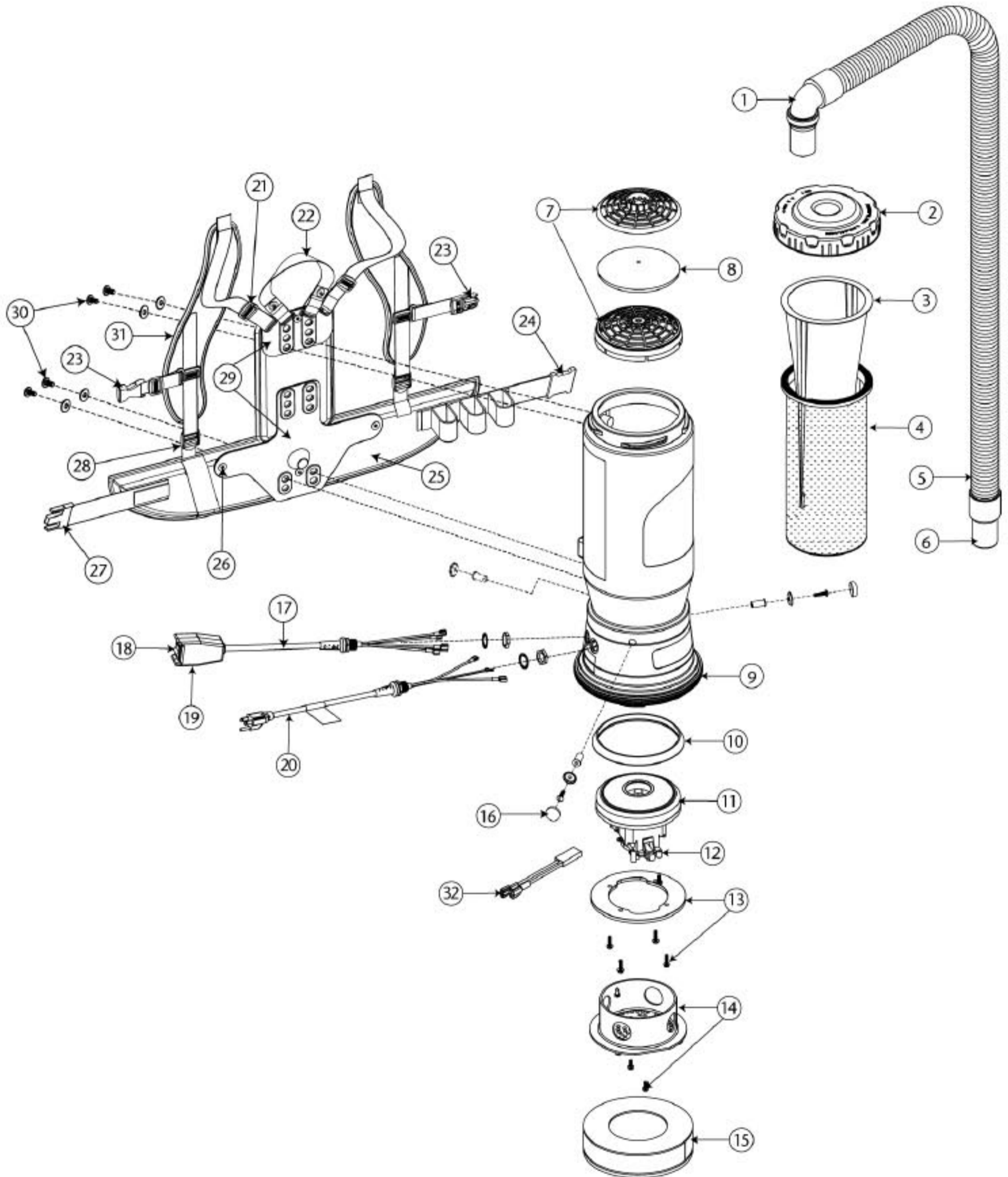


PRO TEAM

PORTABLE BACKPACK VAC

Model: Super Quartervac



Model: Super Quatervac

Index	Part No.	Description
1	PT-101928	Replacement double swivel elbow cuff (black) 1 1/2"
2	PT-106073	Twist cap (purple)
3	PT-006	496 Square inch intercept micro filter
4	PT-100564	Micro cloth filter
5	PT-103048	Static- dissipating hose with cuffs (black) 1 1/2"
6	PT-100694	Replacement swivel cuff (black) 1 1/2"
7	PT-100030	Dome filter with foam media
8	PT-100343	Foam filter media for dome filter
	PT-101220	High filtration disk (optional)
9	PT-100586	Bottom bumper
10	PT-100014	Tetraseal
11	PT-105162	Motor/ fan (120V) with crimps (Domel)
	PT-100379	Motor ground wire clamp set with screws
	PT-100380	Motor crimp set (5 female, 3 male, ground crimp connector)
12	PT-105164	Carbon brush set (Domel motor)
13	PT-106204	Motor compression ring with screws
	PT-100378	Compression ring screws
14	PT-105044	Motor shroud cover with screws
15	PT-105800	Sound muffler
16	PT-100368	Motor mounting system set (3 well nuts, 3 bolts, 3 washers, 3 covers)
17	PT-101714	Switch cord with crimps
	PT-101610	Switch cord assembly (includes #18, 19, 20)
18	PT-100743	On/ off switch
19	PT-101472	Switch box with velcro and screws
20	PT-100641	Power cord assembly (18" 16/3)
21	PT-100358	Shoulder strap plastic adjustment buckle (top)
22	PT-101737	Carry handle with rivet and washer set
23	PT-103627	Sternum strap buckles (latch and keeper)
24	PT-100363	Waits belt keeper
25	PT-100359	Waist belt (includes #24, 27)
26	PT-100375	Barrel nut connection set for backplate (replacement)
27	PT-100364	Waits belt latch
28	PT-100357	Shoulder strap plastic adjustment buckle (bottom)
29	PT-105046	Backplate assembly (includes #26)
	PT-100354	Strap assembly complete (includes #21, 23, 24, 27, 28, 31)
	PT-103166	Backplate system complete (includes #21, 22, 23, 24, 26, 27, 28, 29, 30, 31)
30	PT-100716	Backplate connection set (black)
31	PT-100356	Shoulder strap assembly (includes #21, 23, 28)
32	PT-103476	Thermal protector
NOT ILLUSTRATED		
	HAR-315	50' extension cord (not shown)
	PT-101336	Attachment kit, 1-1/2"
	PT-101446	E-Z Glide floor tool w/nylon brush, 14"
	PT-100108	Crevice tool, 17"
	PT-100110	Dust brush w/reducer, 3"
	PT-100115	Upholstery tool, 5"
	PT-101338	Alumimum wand, 2-pc/2-bend, 56"