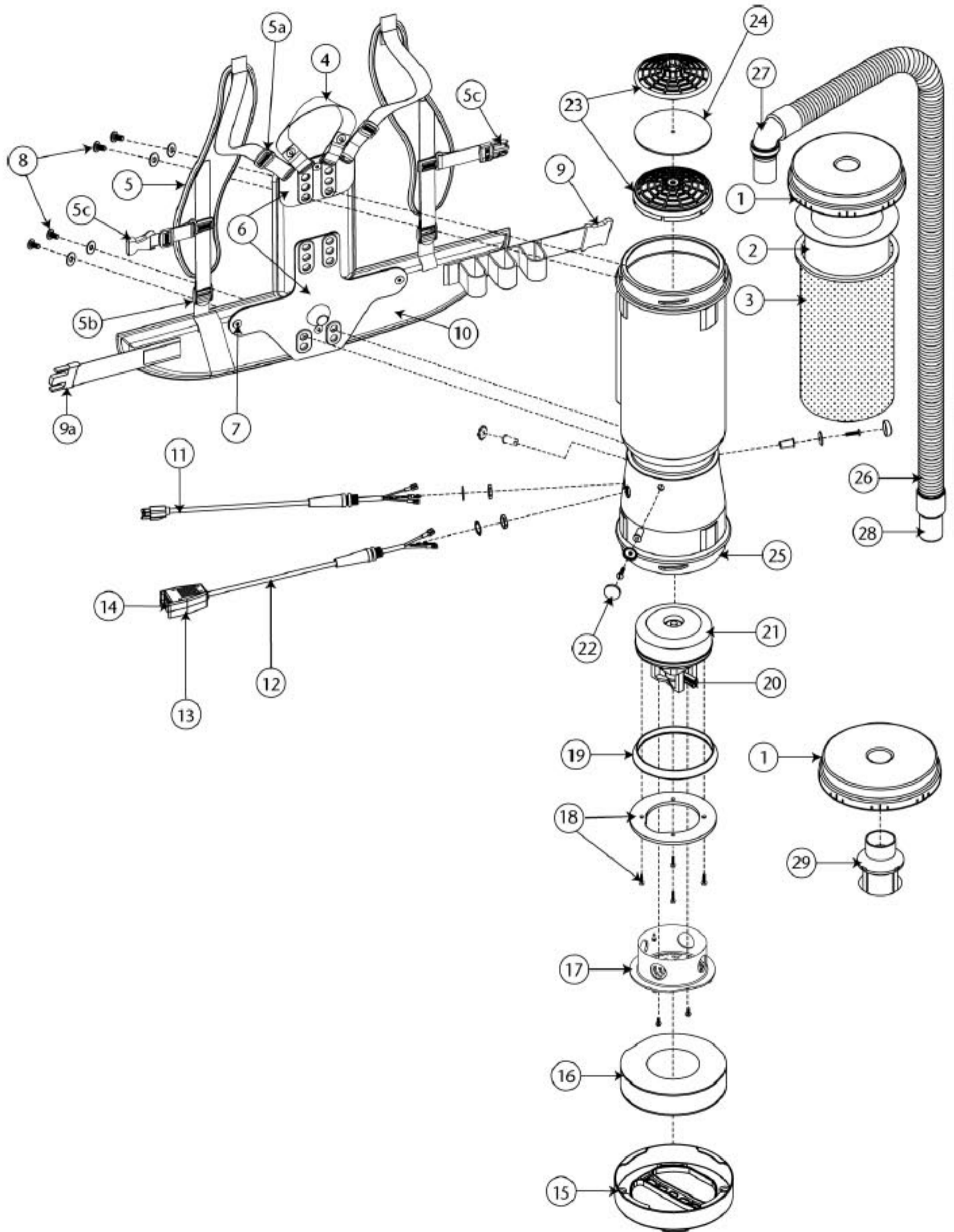


PRO TEAM

PORTABLE BACKPACK VAC

Model: MegaVac



Model: MegaVac

Index	Part No.	Description
1	PT-100320	Twist cap (Black)
2	PT-007	Intercept micro filter
3	PT-100565	Micro cloth filter
4	PT-101737	Carry handle with rivet and washer set
5	PT-100356	Shoulder strap assembly (includes #5a, 5b, 5c)
5a	PT-100358	Shoulder strap plastic adjustment buckle (Top)
5b	PT-103357	Shoulder strap plastic adjustment buckle (Bottom)
5c	PT-103627	Stemum strap buckles (Latch and keeper)
6	PT-105046	Backplate (includes #7)
7	PT-100375	Barrier nut connection set for backplate (Replacement)
8	PT-100374	Backplate connection set: 4 screws, with washers, stand offs
9	PT-100363	Waist belt keeper
9a	PT-100364	Waist belt latch
10	PT-100359	Waist belt (includes #9, 9a)
	PT-100354	Strap assembly complete (includes #5, 5a, 5b, 5c, 9, 9a)
	PT-103166	Backplate system complete (includes #4, 5, 5a, 5b, 5c, 6, 7, 8, 9, 9a)
11	PT-100641	Power cord assembly (18" 16/3)
12	PT-101610	Switch cord assembly (includes #12, 13, 14)
	PT-101717	220V Switch cord assembly (includes #12, 13, 14)
	PT-101714	Switch cord with crimps
13	PT-10172	Switch box with velcro and screws
14	PT-100743	On/ off switch
15	PT-100321	Bottom twist cap (black)
16	PT-100597	Sound muffler
17	PT-105044	Motor shroud cover with screws
18	PT-100335	Motor compression ring with screws
	PT-100378	Compression ring screw set (4 screws)
19	PT-100014	Tetraseal
20	PT-105164	Carbon brush set for Megavac motor (Domel motor)
	PT-101720	Carbon brush set for Megavac motor (Ametek motor)
21	PT-105162	Motor/ fan (120V) with crimps for Megavac motor (Domel motor)
	PT-100324	Motor/ fan (220V) with crimps for Megavac
	PT-100379	Motor ground and wire clamp set with screws
	PT-100380	Motor crimp set (5 female, 3 male, ground crimp connector)
22	PT-100368	Motor mounting system set (3 well nuts, 3 bolts, 3 washers, 3 covers)
23	PT-100030	Dome filter with foam media
24	PT-100343	Foam filter media for dome filter
	PT-101220	High filtration disk (optional)
25	PT-100621	Bottom twist cap gasket
26	PT-103048	Static-dissipating hose with cuffs (black)
27	PT-101928	Replacement double swivel elbow cuff (black)
28	PT-100694	Replacement swivel cuff 1 1/2" (black)
29	PT-101543	Filter guard (optional)
NOT ILLUSTRATED		
	HAR-315	50' extension cord (not shown)
	PT-101336	Attachment kit, 1-1/2"
	PT-101446	E-Z Glide floor tool w/nylon brush, 14"
	PT-100108	Crevice tool, 17"
	PT-100110	Dust brush w/reducer, 3"
	PT-100115	Upholstery tool, 5"
	PT-101338	Alumimum wand, 2-pc/2-bend, 56"