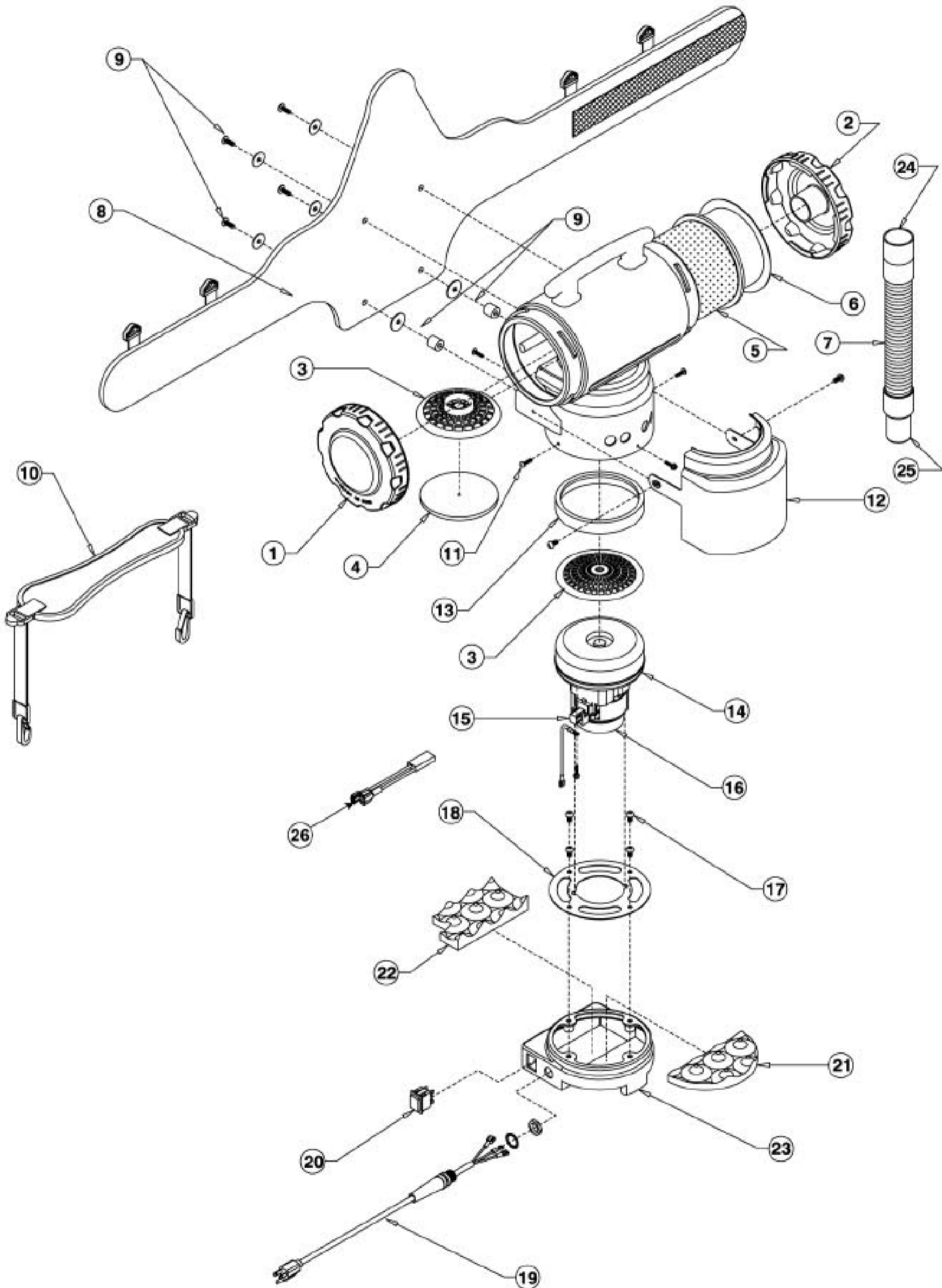


# PRO TEAM

# PORTABLE VAC

Model: TailVac



Model: TailVac

| Index | Part No.  | Description   |
|-------|-----------|---|
| 1     | PT-859    | Blind twist cap assembly (green)                              |
| 2     | PT-101934 | Twist cap for 1 1/2" cuff (grey)                              |
| 3     | PT-102784 | Dome filter with foam media                                   |
| 4     | PT-101949 | Foam filter media for dome filter                             |
|       | PT-102761 | High filtration disk (optional)                               |
| 5     | PT-100564 | Micro cloth filter  |
| 6     | PT-006    | 496 Square inch intercept micro filter                        |
| 7     | PT-101184 | 3-1 Stretch hose with cuffs 1 3/4"                            |
|       | PT-101705 | 3-1 Stretch hose with cuffs 1 1/2"                            |
| 8     | PT-102878 | Waist belt with velcro  |
| 9     | PT-101274 | Waist belt connection set (6 screws, 6 washers, 2 stand-offs) |
| 10    | PT-102879 | Monostrap   |
|       | PT-103025 | Retrofit set (waist belt and monostrap)                       |
| 11    | PT-101272 | Step cap screw kit  |
| 12    | PT-101711 | Shroud retro kit (grey) with 2 screws                         |
| 13    | PT-103236 | Motor seal  |
| 14    | PT-101189 | Motor/ fan (120V) with crimps (includes #16, 18)              |
| 15    | PT-102988 | Carbon brush set for TailVac motor                            |
| 16    | PT-103043 | Fan and brush cover kit                                       |
| 17    | PT-101271 | Motor mount screw kit (6 screws, 4 washers)                   |
| 18    | PT-100950 | Director plate  |
| 19    | PT-101713 | Power cord assembly (18" 16/3)                                |
| 20    | PT-100743 | On/ off switch  |
| 21    | PT-101228 | Front sound foam baffle                                       |
| 22    | PT-101229 | Rear sound foam baffle  |
| 23    | PT-103262 | Step cap (grey) (includes #21)                                |
| 24    | PT-101437 | Replacement fixed hose cuff (black) 1 1/2" x 1 1/4"           |
|       | PT-101536 | Replacement fixed hose cuff (black) 1 1/2" (not shown)        |
| 25    | PT-101436 | Replacement swivel cuff (black) 1 1/4"                        |
|       | PT-100694 | Replacement swivel cuff (black) 1 1/2"                        |
| 26    | PT-105648 | Thermal protector   |
|       |           |   |

## NOT ILLUSTRATED

|  |           |   |
|--|-----------|---|
|  | HAR-315   | 50' extension cord (not shown)          |
|  | PT-101336 | Attachment kit, 1-1/2"                  |
|  | PT-101446 | E-Z Glide floor tool w/nylon brush, 14" |
|  | PT-100108 | Crevice tool, 17"                       |
|  | PT-100110 | Dust brush w/reducer, 3"                |
|  | PT-100115 | Upholstery tool, 5"                     |
|  | PT-101338 | Alumimum wand, 2-pc/2-bend, 56"         |